

Indice Colori & Adesivi SYMPHONY SR 125 (AZ12W3-T) MY 2012

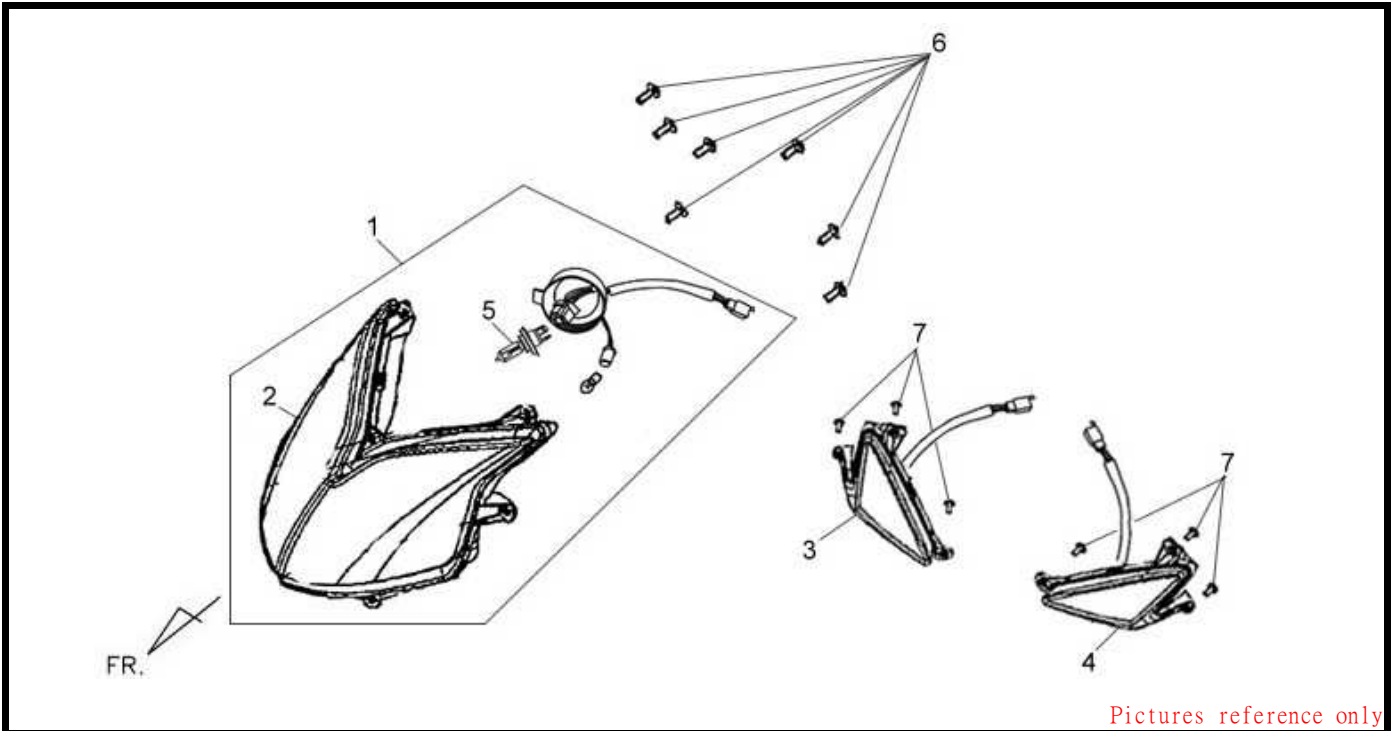


STRIPE

Pictures reference only

8-1(T1)	8-1(T2)	8-2(T1)	8-2(T2)
8-3(T1)	8-3(T2)	8-4(T1)	8-4(T2)
8-5(T1)	8-5(T2)	9-1	12-1/14-1
12-2(T1)	12-2(T2)	14-2(T1)	14-2(T2)
13-1(T1)	13-1(T2)	15-1(T1)	15-2(T2)

N O	MODEL		ANTRACITE		NERO KG BK5560	BIANCO		
	BASIC COLOR CODE		AD GY419 S			VIA VH006		
Item	Part Number	Description	Basic Color	Code	Basic Color	Code	Basic Color	Code
1	42601-X3A-000	RR. WHEEL CAST		●		●		●
2	44601-X3A-000	FR. CASTWHEEL COMP		●		●		●
3	51400-APA-010	FR. R. CUSHION		K		K		K
4	51500-APA-010	FR. L. CUSHION		K		K		K
5	52400-ARB-010	RR. CUSHION		R		R		R
6	53205-X3A-000	FR. HANDLE COVER	GY419 S	AD	BK5560	KG	VH006	VIA
7	61101-X3A-000	FR. FENDER	GY419 S	AD	BK5560	KG	VH006	VIA
8	64301-X3A-000	FR. COVER	GY419 S	AD	BK5560	KG	VH006	VIA
8-1	87121-X31-000	R. FR. COVER STRIPE A		T2		T2		T2
8-2	87122-X31-000	L. FR. COVER STRIPE A		T2		T2		T2
8-3	87123-X31-000	R. FR. COVER STRIPE B		T2		T2		T2
8-4	87124-X31-000	L. FR. COVER STRIPE B		T2		T2		T2
8-5	87170-ATA-000	SYM STRIPE		●		●		T2
9	64302-X3A-000	FR. TOP COVER		●		●		●
9-1	87123-H85-000	S-LOGO 40MM(POLY)		●		●		●
10	64303-APA-000	FR. UNDER COVER	GY419 S	AD	BK5560	KG	VH006	VIA
11	81200-X3A-000	RR. CARRIER		●		●		●
12	83500-X3A-000	R. BODY COVER	GY419 S	AD	BK5560	KG	VH006	VIA
12-1	87126-X4A-000	BODY COVER STRIPE		●		●		●
12-2	87127-X31-000	R. BODY COVER STRIPE		T2		T2		T2
13	83520-APA-000	R. SIDE COVER	GY419 S	AD	BK5560	KG	VH006	VIA
13-1	87131-X31-000	R. SIDE COVER STRIPE		T2		T2		T2
14	83600-X3A-000	L. BODY COVER	GY419 S	AD	BK5560	KG	VH006	VIA
14-1	87126-X4A-000	BODY COVER STRIPE		●		●		●
14-2	87128-X31-000	L. BODY COVER STRIPE		T2		T2		T2
15	83620-APA-000	L. SIDE COVER	GY419 S	AD	BK5560	KG	VH006	VIA
15-1	87132-X31-000	L. SIDE COVER STRIPE		T2		T2		T2



Pictures reference only

PARTS NUMBER	DESCRIPTION	QTY	EFFECTIVE DATE
1 33100-ATA-000	FANALE ANTERIORE	1	
2 33101-ATA-000	LENTE FANALE ANTERIORE	1	
3 33400-ATA-000	LAMPEGGIATORE DX ANT.	1	
4 33450-ATA-000	LAMPEGGIATORE SX ANT.	1	
5 34901-X06-000	BULB HEAD LIGHT BULB	1	
6 93903-35320	VITE AUTOFILETTANTE 5X16	7	
7 93903-35380	VITE AUTOFILETTANTE 5X16	6	

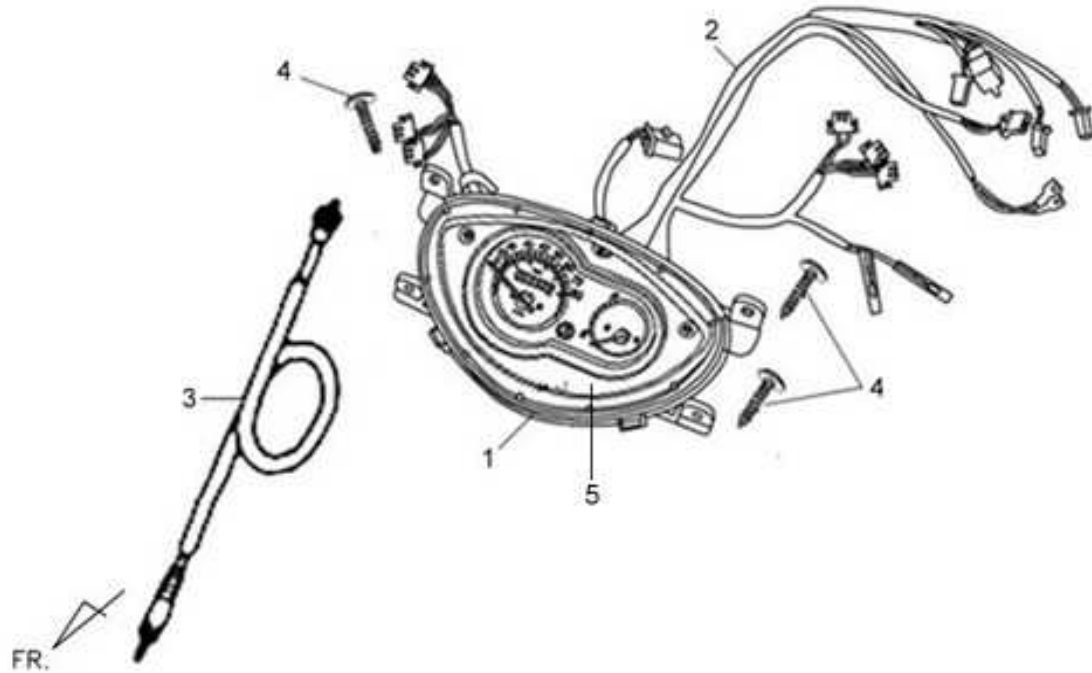
※ Please check the color & stripe information according to the color index !

 TEAMWORLD IND. 2012.05

※N/A = SUBSTITUTE

※Y = EXCHANGEABLE

※N =NOT EXCHANGEABLE



Pictures reference only

PARTS NUMBER		DESCRIPTION	QTY	EFFECTIVE DATE
1	37200-X4A-000	CRUSCOTTO STRUMENTI COMPLETO	1	
2	37224-X4A-000	CABLAGGIO STRUMENTO	1	
3	44830-APA-000	TRASMISSIONE TACHIMETRO	1	
4	93903-35380	VITE AUTOFILETTANTE 5X16	3	
5	37204-ARB-000	VETRO CRUSCOTTO	1	

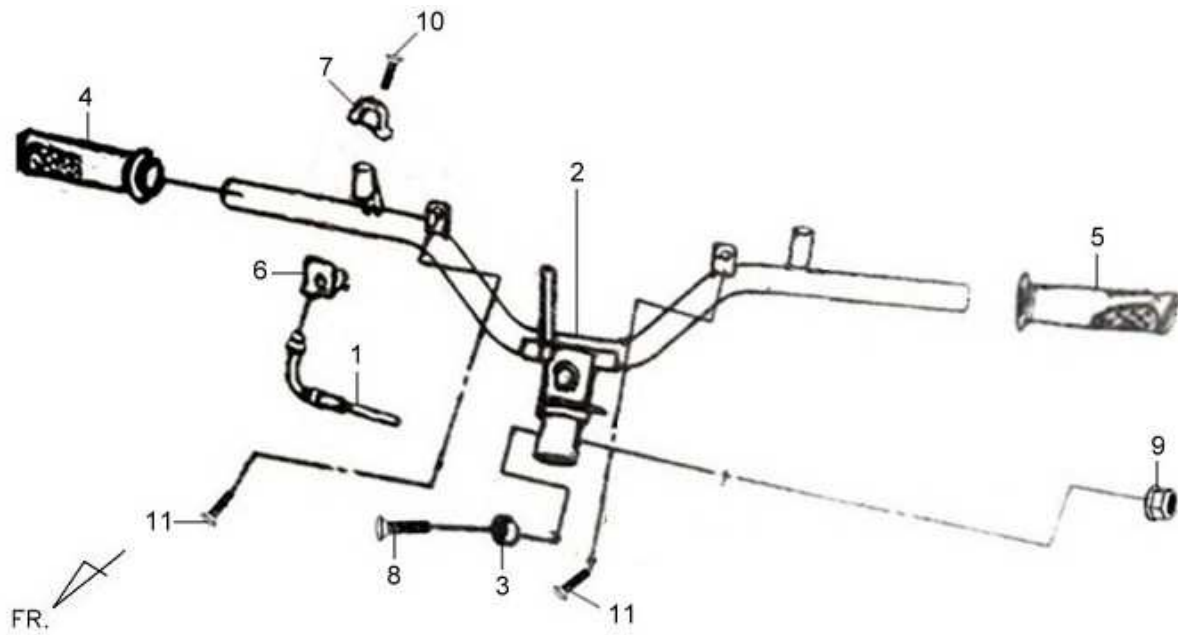
※ Please check the color & stripe information according to the color index !

 TEAMWORLD IND. 2012.05

※N/A = SUBSTITUTE


※Y = EXCHANGEABLE

※N = NOT EXCHANGEABLE



Pictures reference only

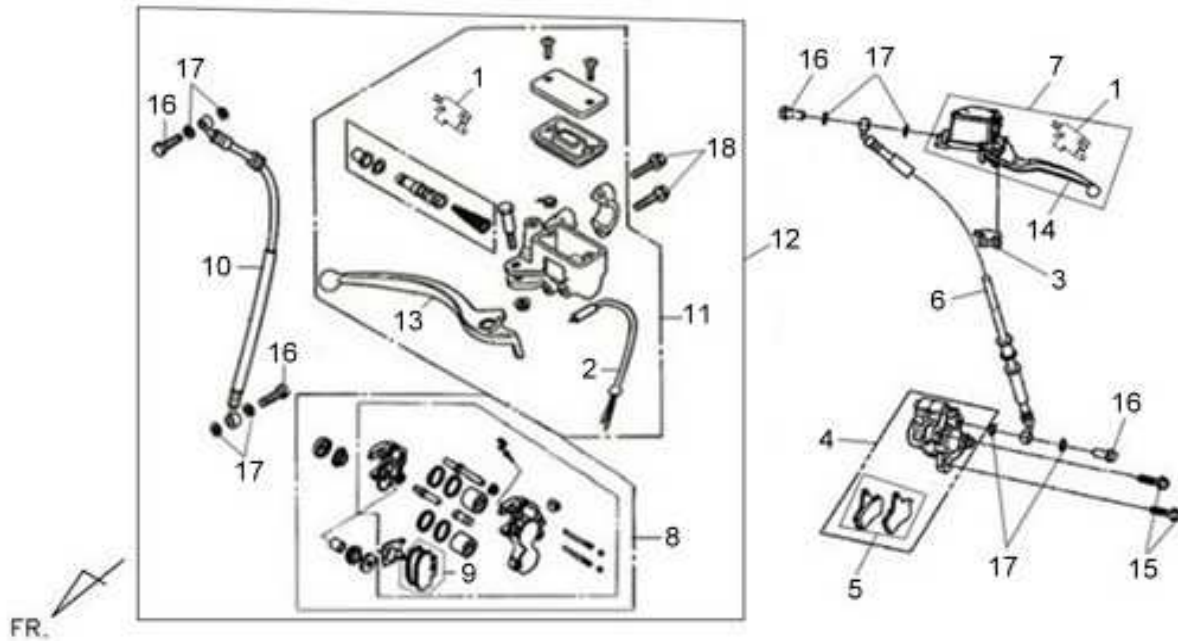
PARTS NUMBER	DESCRIPTION	QTY	EFFECTIVE DATE
1 17910-ARA-000	TRASMISSIONE GAS	1	
2 53100-ARB-000	MANUBRIO	1	
3 53125-M9Q-A00	HANDLE SETTING COLLAR	1	
4 53140-S1F-H00	COMANDO GAS	1	
5 53166-S1F-H00	MANOPOLA SX	1	
6 53167-H09-900	GUSCIO INFERIORE COMANDO GAS	1	
7 53168-H09-000	GUSCIO SUPERIORE COMANDO GAS	1	
8 90106-M9Q-900	VITE FLANGIATA 10X55	1	
9 90304-M9Q-000	DADO AUTOBLOCCANTE 10MM	1	
10 93500-05025-08	PAN SECREW 5X25	1	
11 93891-05018-07	WASHER SCREW 5X18	2	

※ Please check the color & stripe information according to the color index !  TEAMWORLD IND. 2012.05

※N/A = SUBSTITUTE


※Y = EXCHANGEABLE

※N = NOT EXCHANGEABLE

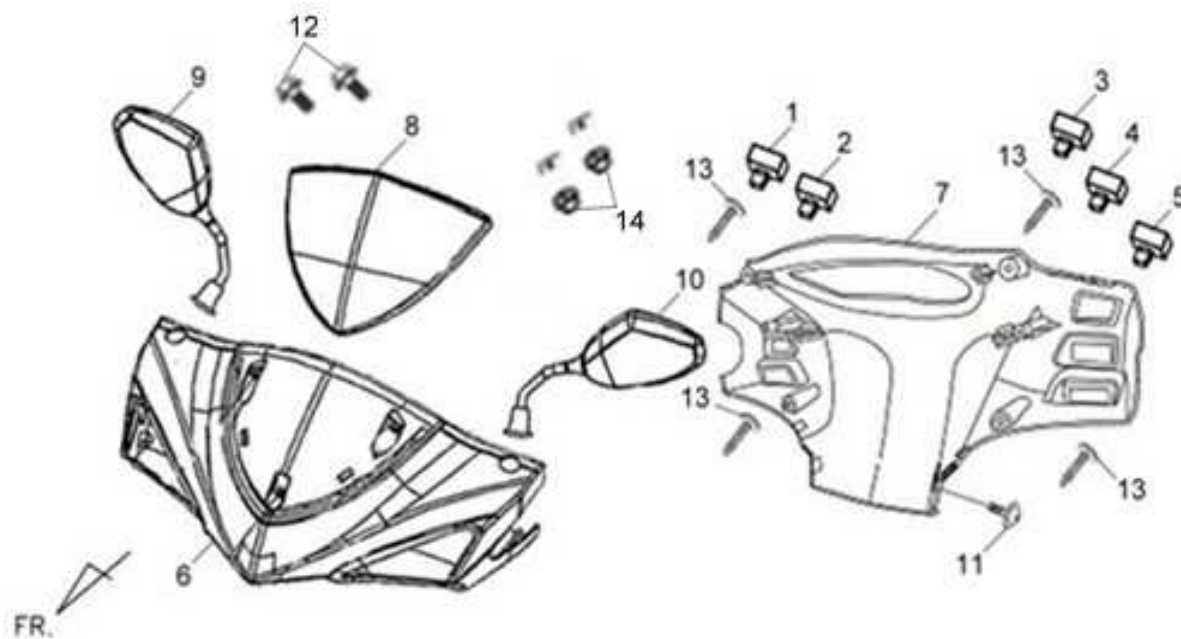


Pictures reference only

PARTS NUMBER	DESCRIPTION	QTY	EFFECTIVE DATE
1 35340-ARB-000	INTERRUTTORE STOP DX/SX SWITCH	2	
2 35340-M92-000	INTERRUTTORE STOP (CAVO)	1	
3 35342-M9Q-000	INTERRUTTORE STOP (CAVO)	1	
4 43100-ARB-000	PINZA FRENO POSTERIORE	1	
4-1 MA001-0806	CARB. GASKET FIX SET.	1	
5 43105-ARB-000-A	COPPIA PAST.FRENO POST.AY12W1T	1	
6 43126-APG-000	TUBO OLIO FRENO POST.	1	
7 43500-ARB-000	POMPA FRENO POSTERIORE	1	
8 45100-APA-000	PINZA FRENO ANTERIORE	1	
8-1 MA0009-0205	CARB. GASKET FIX SET.	1	
9 45105-APA-000-A	COPPIA PAST.FRENO = 45105HKF000A	1	
10 45126-APA-000	TUBO OLIO FRENO ANTERIORE	1	
11 45500-AAG-000	IMPIANTO FRENO ANTERIORE	1	
12 4550A-APA-000-R	IMPIANTO FRENO ANTERIORE	1	
13 53175-AAA-000	LEVA FRENO ANT.DX CROMATA	1	
14 53178-ARB-000	LEVA FRENO ANTERIORE SX	1	
15 90131-ARB-000	VITE FLANGIATA 8X35	2	
16 90145-MS9-611	VITE 10X22 RACCORDO TUBO OLIO	4	
17 90545-M9Q-000	RONDELLA TUBO OLIO	8	
18 95801-06022-07	VITE FLANGIATA 6X22	2	


※ Please check the color & stripe information according to the color index !  TEAMWORLD IND. 2012.05

※N/A = SUBSTITUTE ※Y = EXCHANGEABLE ※N = NOT EXCHANGEABLE



Pictures reference only

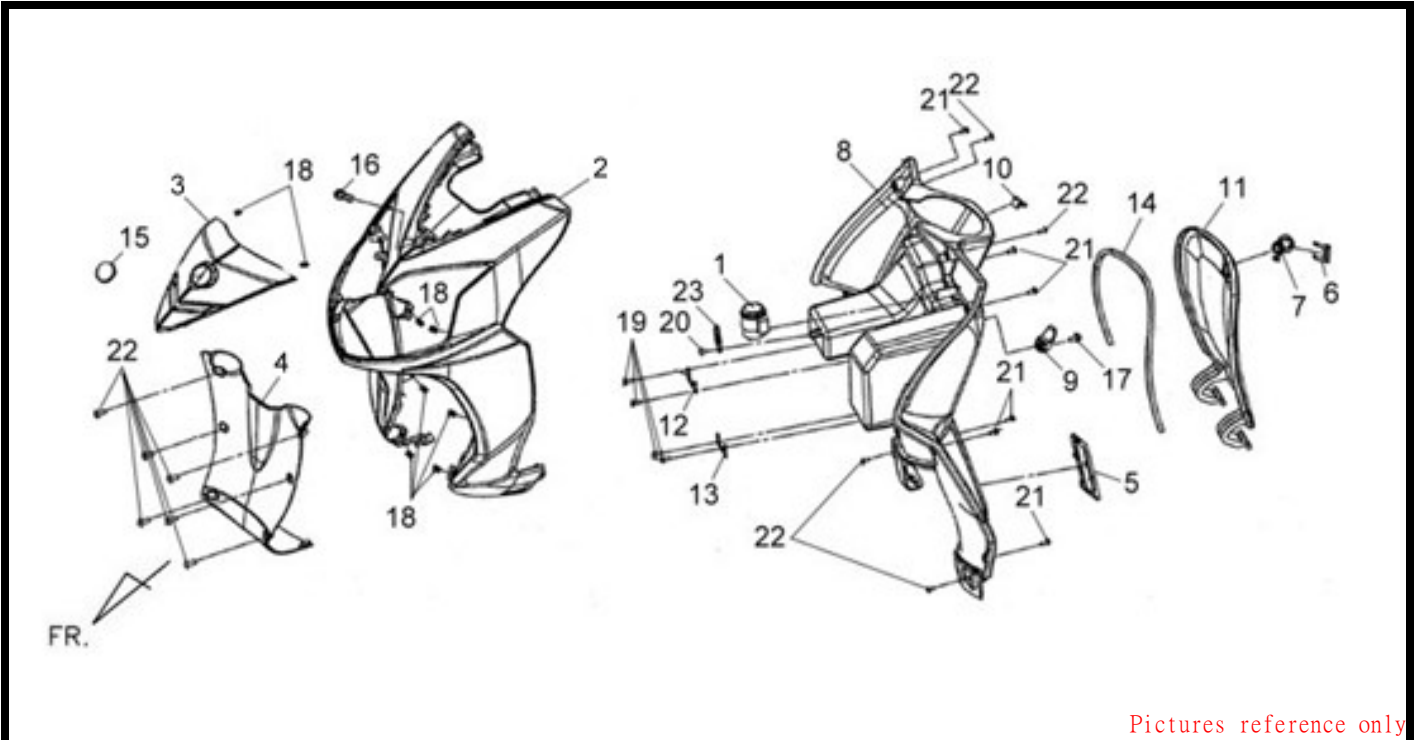
PARTS NUMBER		DESCRIPTION	QTY	EFFECTIVE DATE
1	35150-M9F-A00	INTERRUTTORE LUCI	1	
2	35160-M9Q-000	PULSANTE AVVIAMENTO	1	
3	35170-A45-A00	DIMMER & PASSING SW. UNIT	1	
4	35180-M9Q-000	PULSANTE CLAXON	1	
5	35200-M9Q-000	COMMUTATORE LAMPEGGIATORI	1	
6	53205-X3A-000-AD	COPRIMANUBRIO ANTRAC.GY419S	1	
6	53205-X3A-000-KG	COPRIMANUBRIO NERO BK5560	1	
6	53205-X3A-000-WA	COPRIMANUBRIO BIANCO WH006	1	
7	53206-APA-000	COPRIMANUBRIO POSTERIORE	1	
8	53270-X3A-000	CUPOLINO FUME'	1	
9	88110-ANA-000	SPECCHIO DX	1	
10	88120-ANA-000	SPECCHIO SX	1	
11	93891-05018-07	WASHER SCREW 5X18	1	
12	90110-X3A-000	SPECIAL SCREW 6*14	2	
13	93903-35320	VITE AUTOFILETTANTE 5X16	4	
14	90305-T3D-000	CLIP NUT 6MM	2	

※ Please check the color & stripe information according to the color index !  **TEAMWORLD IND. 2012.05**

※N/A = SUBSTITUTE

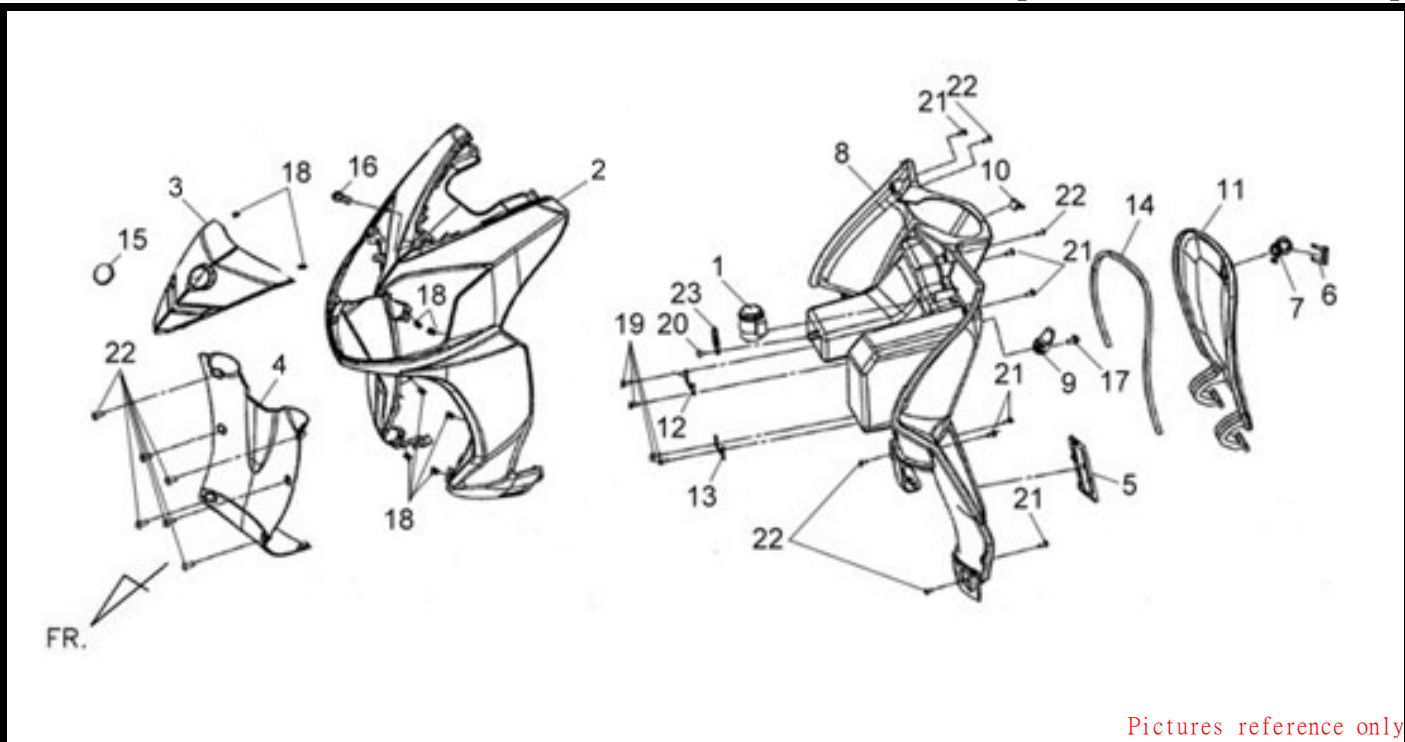
※Y = EXCHANGEABLE

※N =NOT EXCHANGEABLE




Pictures reference only

PARTS NUMBER	DESCRIPTION	QTY	EFFECTIVE DATE
1 38300-T40-010	INTERMITTENZA LAMPEGGIATORI	1	
2 64301-X3A-000-AD	SCUDO ANT.ANTRAC.GY419S	1	
2 64301-X3A-000-KG	SCUDO ANT.NERO BK5560	1	
2 64301-X3A-000-WA	SCUDO ANT.BIANCO WH006	1	
2-1 87121-X31-000-T2	ADESIVO SCUDO DX "A" (ROSSO)	1	
2-2 87122-X31-000-T2	ADESIVO SCUDO SX "A" (ROSSO)	1	
2-3 87123-X31-000-T2	ADESIVO SCUDO DX "B" (ROSSO)	1	
2-4 87124-X31-000-T2	ADESIVO SCUDO SX "B" (ROSSO)	1	
2-5 87170-ATA-000	SYM STRIPE (BIANCO)	2	
2-5 87170-ATA-000-T2	SYM STRIPE (NERO)	2	
3 64302-X3A-000	COPERCHIO SCUDO ANT.	1	
4 64303-APA-000-AD	COPERCHIO SPOILER INF. ANTRACITE GY-419S	1	
4 64303-APA-000-KG	COPERCHIO SPOILER INF. NERO BK-5560	1	
4 64303-APA-000-WA	COPERCHIO SPOILER INF. BIANCO WH-006	1	
5 64318-ALA-000-BK	FRAME NUMBER LID	1	
6 75581-A16-000	TOOL KL-4-19	1	
7 77233-M9Q-900	SERRATURA SPORTELLO BAULETTO	1	
8 81131-ARA-000	SCUDO INTERNO	1	
9 81132-M7Q-000	GANCIO PORTABORSA	1	
10 81133-ABA-000	LUGGAGE STOPPER	1	
11 81141-APA-000	SPORTELLO SCUDO INTERNO	1	
12 81142-APA-000	R. INNER BOX LID	1	
13 81143-APA-000	R. INNER BOX LID PLATE	1	
14 81146-APA-000	GUARNIZIONE SPORTELLO BAULETTO	1	
15 87123-H85-000	LOGO SYM TONDO diam.40mm, adesivo in rilievo	1	

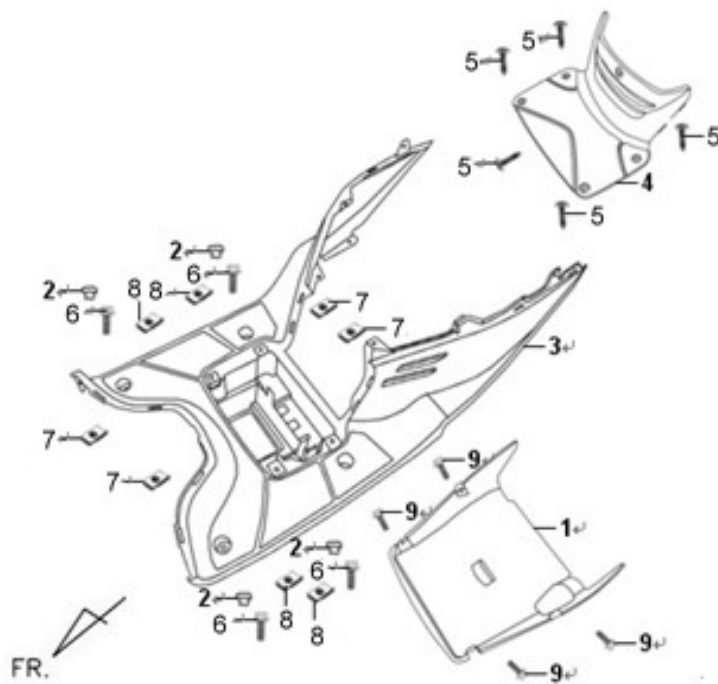


Pictures reference only

PARTS NUMBER	DESCRIPTION	QTY	EFFECTIVE DATE	
16 90110-H6T-000	SCREW SPECIAL 6X14	1		
17 90115-G02-000	VITE FLANGIATA 6X16	1		
18 90308-X04-000	FLANGE SPECIAL NUT 10MM	8		
19 93903-34380	VITE AUTOFILETTANTE 4X12	4		
20 93903-35320	VITE AUTOFILETTANTE 5X16	1		
21 93903-35380	VITE AUTOFILETTANTE 5X16	6		
22 93903-45380	VITE AUTOFILETTANTE 5X16	10		
23 94591-21000	FASCETTA 2X100	1		

※ Please check the color & stripe information according to the color index !  TEAMWORLD IND. 2012.05

※N/A = SUBSTITUTE ※Y = EXCHANGEABLE ※N =NOT EXCHANGEABLE



Pictures reference only

PARTS NUMBER		DESCRIPTION	QTY	EFFECTIVE DATE
1	50611-APA-000	COPERCHIO INFERIORE	1	
2	50612-F02-010	TAPPO	4	
3	64310-APA-000	PAVIMENTO	1	
4	80153-APA-000	SPORTELLO ISPEZIONE	1	
5	90109-42168	TAPPING SCREW M4.2x16	5	
6	90111-M9Q-800	VITE FLANGIATA 6MM	4	
7	90302-V02-000	DADO A CLIP 4MM	4	
8	90308-X04-000	FLANGE SPECIAL NUT 10MM	4	
9	95801-06016-08	FLANGE BOLT 6X16	4	

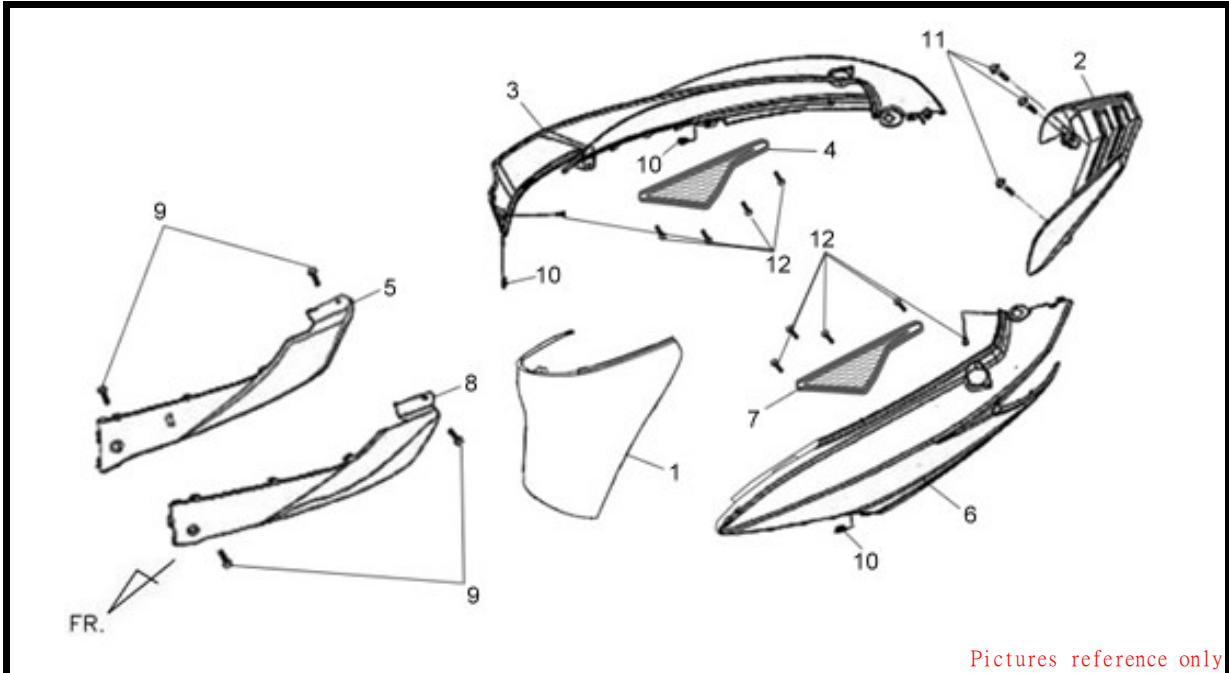
※ Please check the color & stripe information according to the color index !

 TEAMWORLD IND. 2012.05

※N/A = SUBSTITUTE

※Y = EXCHANGEABLE

※N =NOT EXCHANGEABLE



Pictures reference only

PARTS NUMBER	DESCRIPTION	QTY	EFFECTIVE DATE
1 80152-X3A-000	COPERCHIO CENTRALE	1	
2 81200-X3A-000	PORTAPACCHI	1	
3 83500-X3A-000-AD	FIANCHETTO DX ANTRACITE GY-419S	1	
3 83500-X3A-000-KG	FIANCHETTO DX NERO BK-5560	1	
3 83500-X3A-000-WA	FIANCHETTO DX BIANCO WH-006	1	
3-1 87126-X4A-000	ADESIVO "Symphony SR 125" MY'12	1	
3-2 87127-X31-000-T2	ADESIVO FIANCH. DX (ROSSO)	1	
4 83501-X3A-000	R. BODY COVER GARNISH	1	
5 83520-APA-000-AD	FIANCHETTO INF.DX ANTRACITE GY-419S	1	
5 83520-APA-000-KG	FIANCHETTO INF.DX NERO BK-5560	1	
5 83520-APA-000-WA	FIANCHETTO INF.DX BIANCO WH-006	1	
5-1 87131-X31-000-T2	ADESIVO FIANCH. DX INF.(ROSSO)	1	
6 83600-X3A-000-AD	FIANCHETTO SX ANTRACITE GY-419S	1	
6 83600-X3A-000-KG	FIANCHETTO SX NERO BK-5560	1	
6 83600-X3A-000-WA	FIANCHETTO SX BIANCO WH-006	1	
6-1 87126-X4A-000	ADESIVO "Symphony SR 125" MY'12	1	
6-2 87128-X31-000-T2	ADESIVO FIANCH. SX (ROSSO)	1	
7 83601-X3A-000	L. BODY COVER GARNISH	1	
8 83620-APA-000-AD	FIANCHETTO INF. SX ANTRACITE GY-419S	1	
8 83620-APA-000-KG	FIANCHETTO INF. SX NERO BK-5560	1	
8 83620-APA-000-WA	FIANCHETTO INF. SX BIANCO WH-006	1	
8-1 87132-X31-000-T2	ADESIVO FIANCH. SX INF.(ROSSO)	1	
9 90118-HAA-000	WASHER BOLT 5X14	4	
10 90308-X04-000	FLANGE SPECIAL NUT 10MM	3	
11 93401-08030-00	WASH BOLT 8X30	3	
12 93903-35320	VITE AUTOFILETTANTE 5X16	10	

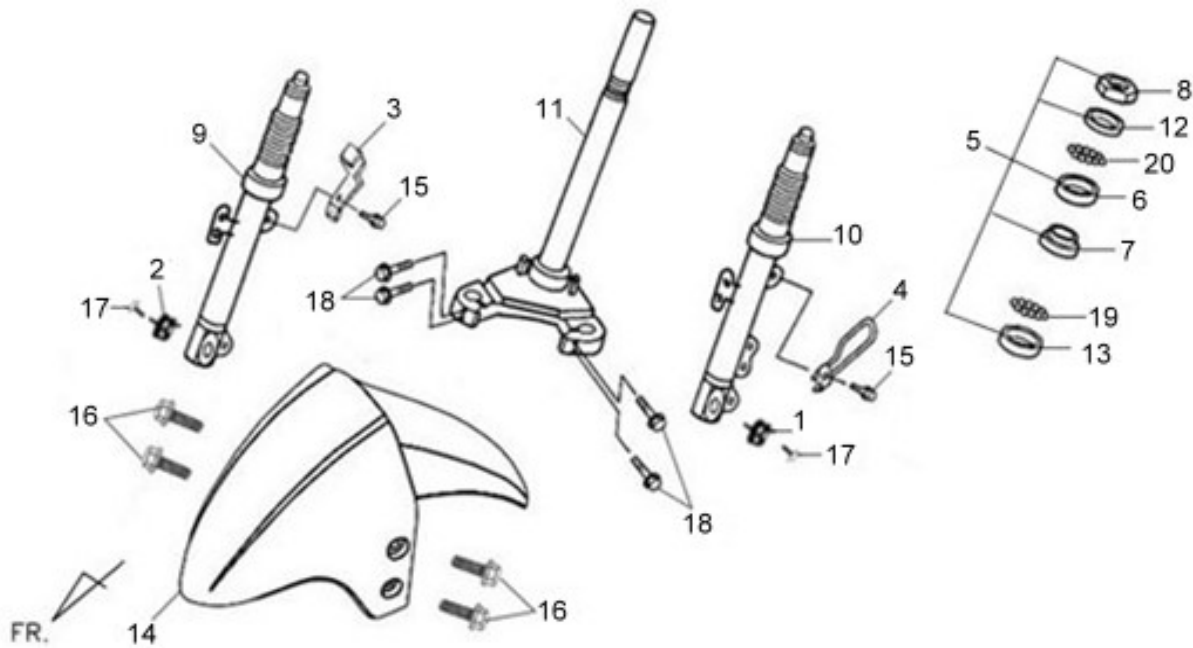
※ Please check the color & stripe information according to the color index !

TEAMWORLD IND. 2012.05

※N/A = SUBSTITUTE

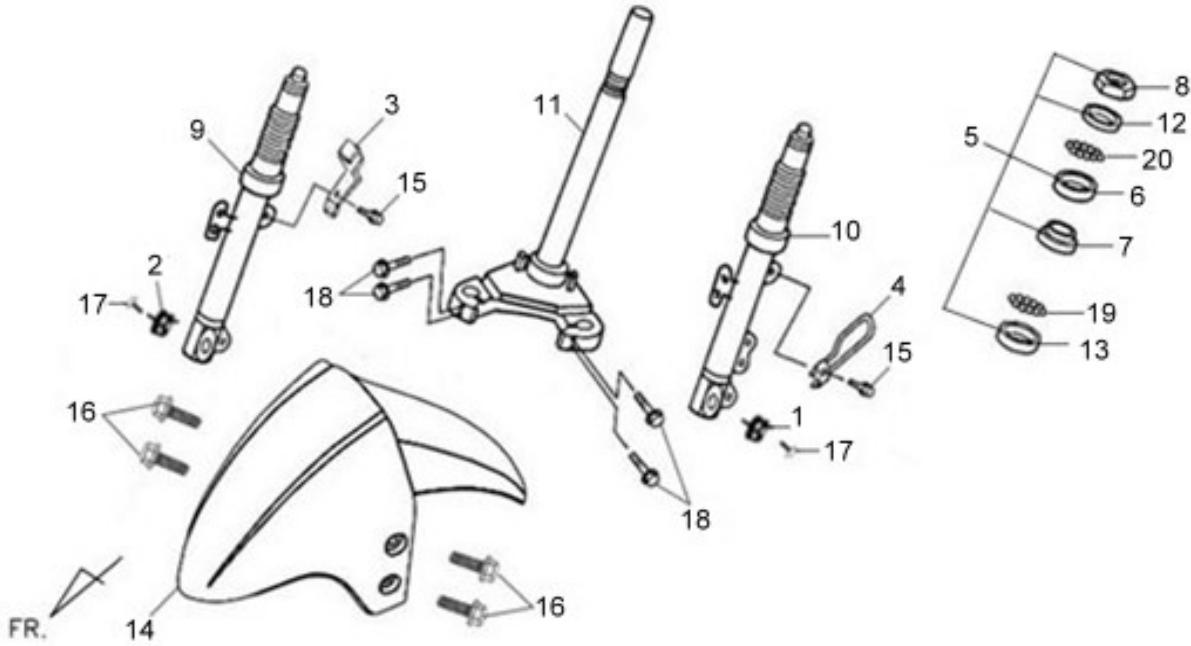
※Y = EXCHANGEABLE

※N =NOT EXCHANGEABLE



Pictures reference only

PARTS NUMBER	DESCRIPTION	QTY	EFFECTIVE DATE
1 44314-N7B-E10	TAPPO SX PERNO RUOTA ANT.	1	
2 44315-N7B-E10	TAPPO DX PERNO RUOTA ANT.	1	
3 45156-A6A-000	GUIDA TUBO OLIO FRENO	1	
4 45451-N02-000	GUIDA CAVO	1	
5 50300-M9Q-A00	SERIE STERZO	1	
5 50300-M9Q-000-XS	SERIE STERZO	1	2012/5/4
6 50301-M9Q-000	PISTA STERZO SUPERIORE	1	
6 50301-M9Q-000-XS	PISTA STERZO SUPERIORE	1	2012/5/4
7 50302-M9Q-000	PISTA STERZO INFERIORE	1	
7 50302-M9Q-000-XS	PISTA STERZO INFERIORE	1	2012/5/4
8 50306-M9Q-000	DADO CANNOTTO	1	
8 50306-M9Q-000-XS	DADO CANNOTTO	1	2012/5/4
9 51400-APA-010-K	GAMBA FORCELLA DX COMPLETA (NERO)	1	
9-1 51445-AAA-000	SOFFIETTO STELO	1	
9-2 51403-APA-000	PARAOLIO FORCELLA	1	
9-3 51410-APA-000	FR.CUSHION PIPE	1	
10 51500-APA-010-K	GAMBA FORCELLA SX COMPLETA (NERO)	1	
10-1 51445-AAA-000	SOFFIETTO STELO	1	
10-2 51403-APA-000	PARAOLIO FORCELLA	1	
10-3 51410-APA-000	FR.CUSHION PIPE	1	
11 53200-APG-000	PIASTRA FORCELLA INFERIORE	1	
12 53211-M9Q-000	PISTA DI STERZO	1	
12 53211-M9Q-000-XS	PISTA DI STERZO	1	2012/5/4
13 53212-M9Q-000	PISTA DI STERZO	1	
13 53212-M9Q-000-XS	PISTA DI STERZO	1	2012/5/4



Pictures reference only

PARTS NUMBER	DESCRIPTION	QTY	EFFECTIVE DATE
14 61101-X3A-000-AD	PARAFANGO ANT. ANTRACITE GY-419S	1	
14 61101-X3A-000-KG	PARAFANGO ANT. NERO BK-5560	1	
14 61101-X3A-000-WA	PARAFANGO ANT. BIANCO WH-006	1	
15 90104-H6C-000	RONDELLA	2	
16 90111-M9Q-800	VITE FLANGIATA 6MM	4	
17 93600-04008-17	FLAT SCREW 4*8	2	
17 93600-04010-04	FLAT SCREW 4*8	2	2012/5/23
18 95801-08040-00	VITE FLANGIATA 8X40	4	
19 96211-05000	SFERA # 5	26	
19 50303-AAA-000	UP STEEL BALLS AND RETAINER ASSY(Φ3.969MM*18 PCS)	1	2012/5/4
20 96211-08000	SFERA 8MM(1/4" BALL)	19	
20 50304-AAA-000	LOWER STEEL BALLS AND RETAINER ASSY(Φ6.35MM*14)	1	2012/5/4

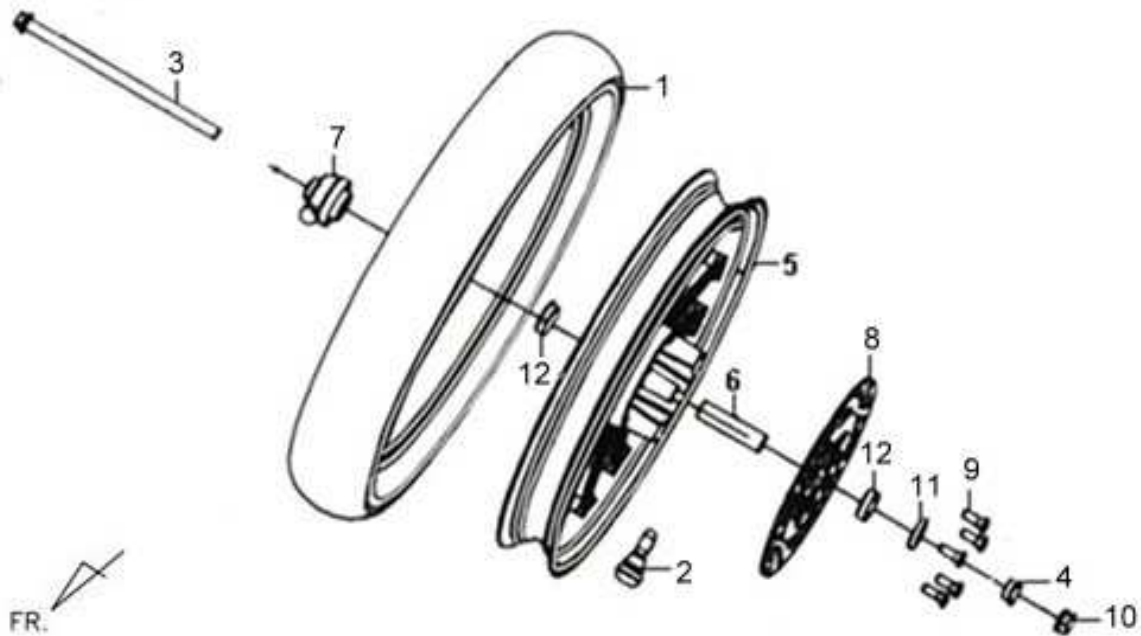
※ Please check the color & stripe information according to the color index !

 TEAMWORLD IND. 2012.05

※N/A = SUBSTITUTE


※Y = EXCHANGEABLE

※N =NOT EXCHANGEABLE



Pictures reference only

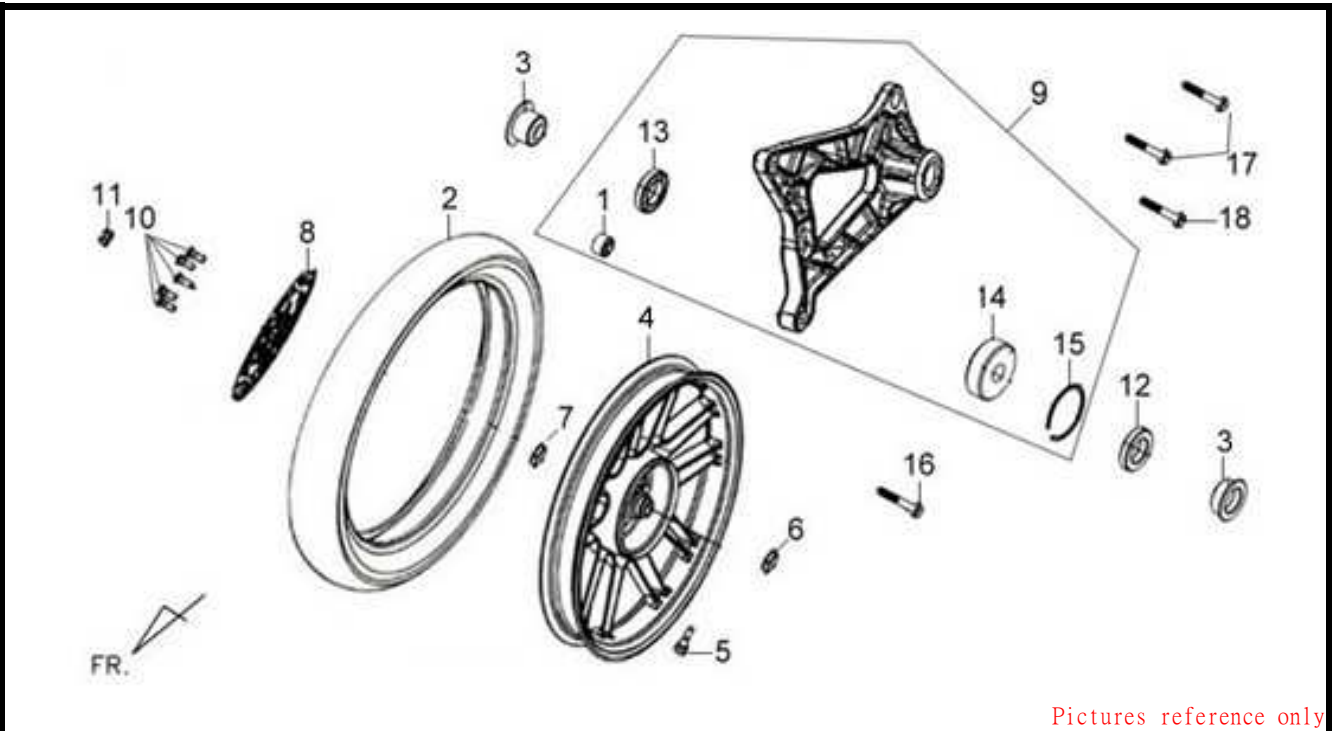
PARTS NUMBER	DESCRIPTION	QTY	EFFECTIVE DATE
1 1T011107016-XS	PNEUMATICO 110/70-16 52P (CST)	1	
2 42753-ABA-000	VALVOLA PNEUMATICO	1	
3 44301-APG-900	FR WHEEL AXLE	1	
4 44311-AAA-000	DISTANZIALE PERNO RUOTA ANT.	1	
5 44601-X3A-000	CERCHIO RUOTA ANTERIORE	1	
6 44620-APG-000	DISTANZIALE INTERNO RUOTA	1	
7 44800-APA-010	SPDMT.GEAR BOX	1	
8 45121-ATE-000-R	DISCO FRENO ANT/POST WAVE (ROSSO)	1	
9 90105-KR3-000	VITE BRUGOLA 8X24 DISCO FRENO	5	
10 90306-X11-A00	DADO AUTOBLOCCANTE 12MM	1	
11 90754-M9Q-000	PARAPOLVERE 20X32X5	1	
12 90912-M9Q-000-M1	CUSCINETTO A SFERE 6201TU/2A	2	

※ Please check the color & stripe information according to the color index !  TEAMWORLD IND. 2012.05

※N/A = SUBSTITUTE


※Y = EXCHANGEABLE

※N =NOT EXCHANGEABLE



Pictures reference only

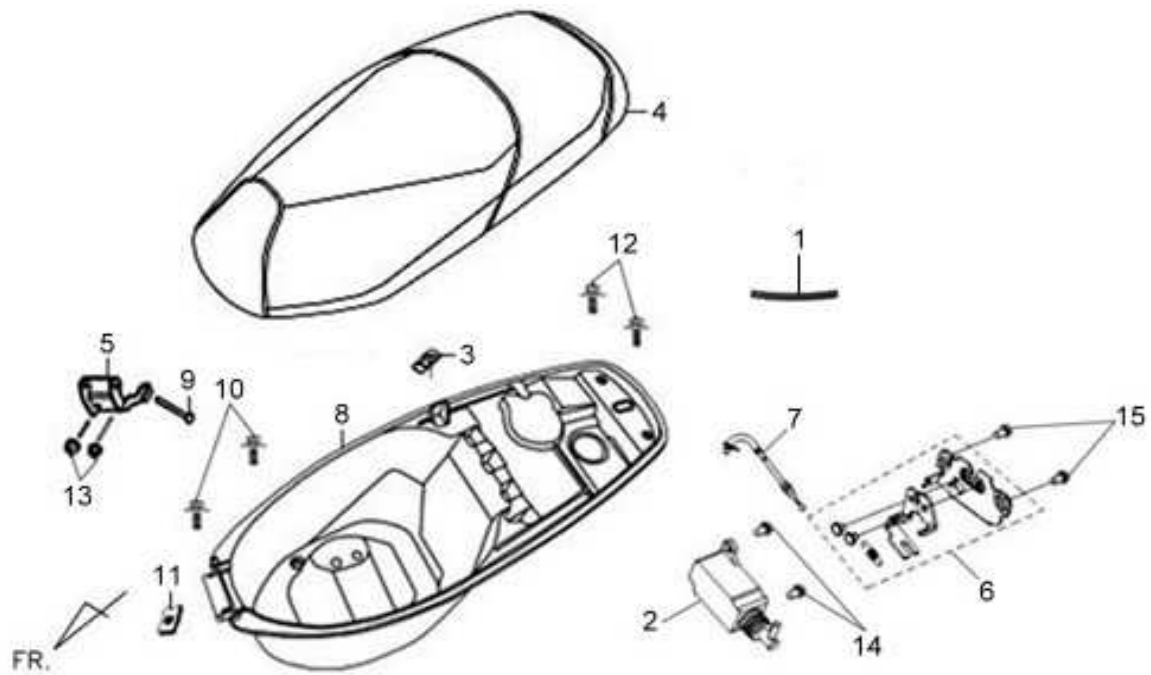
PARTS NUMBER	DESCRIPTION	QTY	EFFECTIVE DATE
1	11203-GC7-300	1	
2	1T011107016-XS	1	
3	42311-H9A-000	2	
4	42601-X3A-000	1	
5	42753-ABA-000	1	
6	44314-N7B-E10	1	
7	44315-N7B-E10	1	
8	45121-ATE-000-R	1	
9	52100-ARB-010	1	
10	90105-KR3-000	5	
11	90305-KBN-902-M2	1	
12	90754-H9A-000	1	
13	90755-ARB-000	1	
14	91051-H9A-000	1	
15	94524-47000	1	
16	95801-08035-07	1	
17	95801-08045-07	2	
18	95801-08064-08	1	

※ Please check the color & stripe information according to the color index !  TEAMWORLD IND. 2012.05

※N/A = SUBSTITUTE


※Y = EXCHANGEABLE

※N =NOT EXCHANGEABLE



Pictures reference only

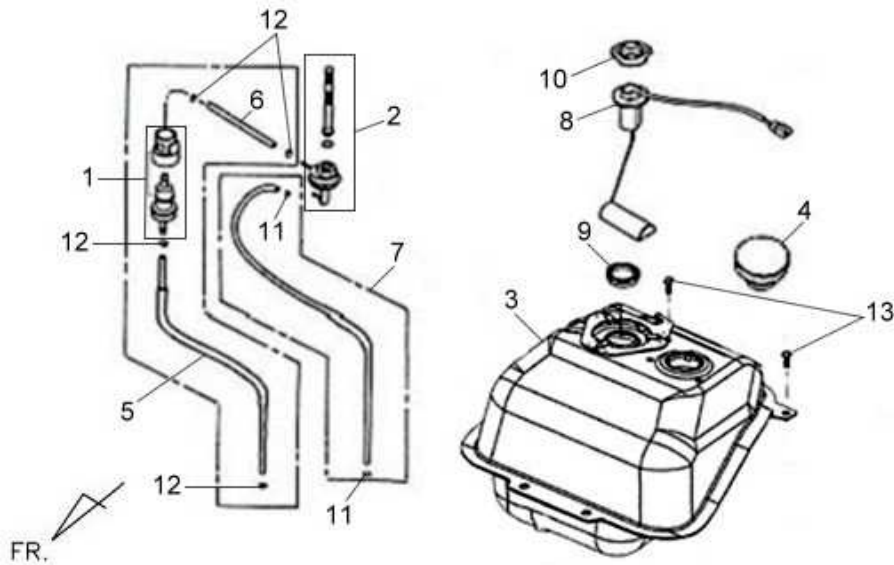
PARTS NUMBER	DESCRIPTION	QTY	EFFECTIVE DATE
1 17508-X3A-000	WASTER FUEL TUBE	1	
2 35870-HLA-000	SOLENOIDE APERTURA SELLA	1	
3 36600-A1A-010	INTERRUTT.LUCE VANO SOTTOSELLA	1	
4 77200-X3A-000	SELLA	1	
5 77201-HHA-000	CERNIERA SELLA	1	
6 77230-APA-000	SEAT CATCH	1	
7 77240-APA-000	CAVO APERTURA SELLA	1	
8 81250-APA-000	VANO SOTTOSELLA	1	
9 90105-HHA-000	SEAT HINGE SCREW	1	
9 90115-ATA-000	FLANGE BOLT 6*16	4	
10 90305-M9Q-000	DADO A CLIP 6MM	1	
11 93404-06012-07	WASHER BOLT 6X12	4	
12 94050-06000	DADO FLANGIATO 6MM	2	
13 95801-06012-08	FLANGE BOLT	2	
14 96001-06010-08	VITE FLANGIATA 6X10	2	

※ Please check the color & stripe information according to the color index !  TEAMWORLD IND. 2012.05

※N/A = SUBSTITUTE

※Y = EXCHANGEABLE

※N =NOT EXCHANGEABLE



Pictures reference only

PARTS NUMBER	DESCRIPTION	QTY	EFFECTIVE DATE
1 16905-ABA-000	FILTRO CARBURANTE	1	
2 16950-M9Q-000	RUBINETTO CARBURANTE	1	
3 17500-X3A-000	SERBATOIO CARBURANTE	1	
4 17620-CT1C-A00	TAPPO SERBATOIO CARBURANTE	1	
5 17682-APA-000	TUBO BENZINA	1	
6 17683-Z6A-000	FUEL TANK TUBE	1	
7 17684-APA-000	VACUUM TUBE	1	
8 37800-ARB-000	SONDA LIVELLO CARBURANTE	1	
9 37801-M9Q-000	GUARNIZIONE Sonda LIV.CARB.	1	
10 37802-M9Q-000	COPERCHIO Sonda LIV.CARB.	1	
11 95002-02070	TUBE CLIP B7	2	
12 95002-02080	FASCETTA TUBO B8	4	
13 95801-06012-08	FLANGE BOLT	2	

※ Please check the color & stripe information according to the color index !

 TEAMWORLD IND. 2012.05

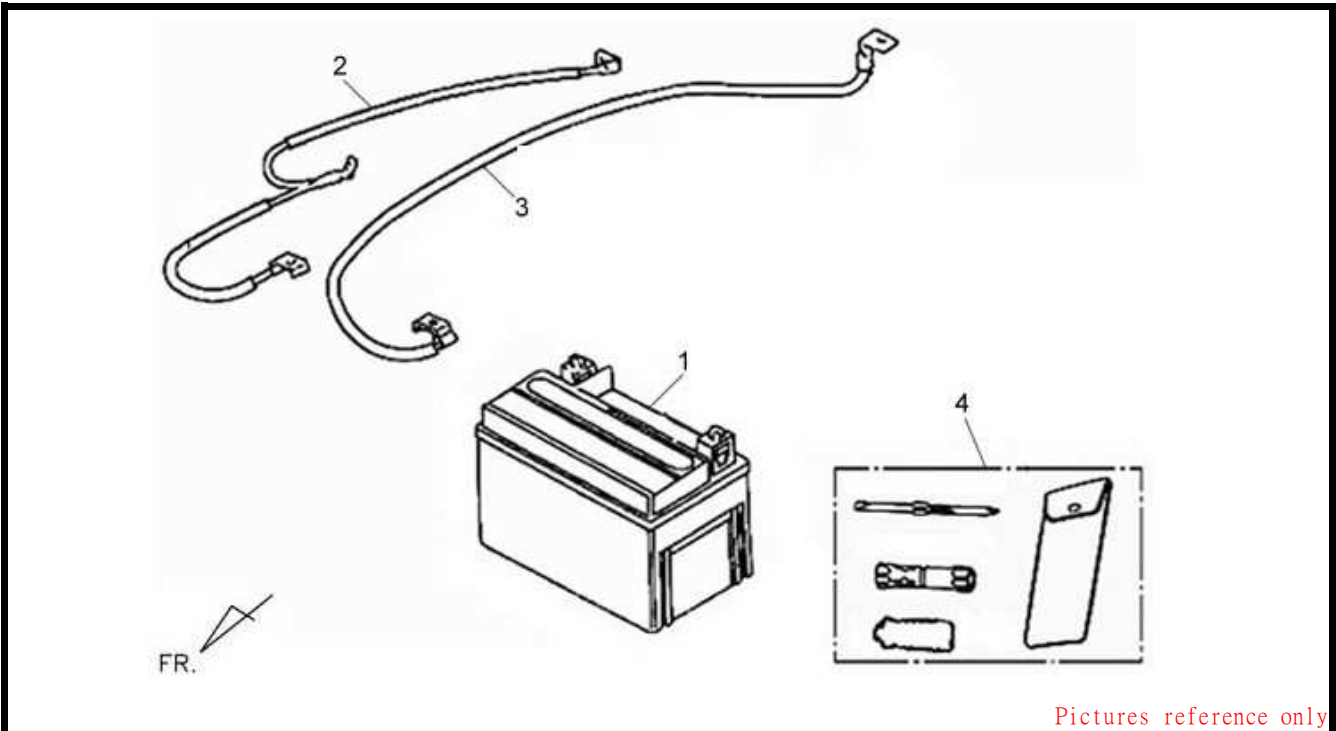
※N/A = SUBSTITUTE

※Y = EXCHANGEABLE

※N =NOT EXCHANGEABLE


F14 BATTERY ASS'Y

AZ12W3-T[SYMPHONY SR 125]

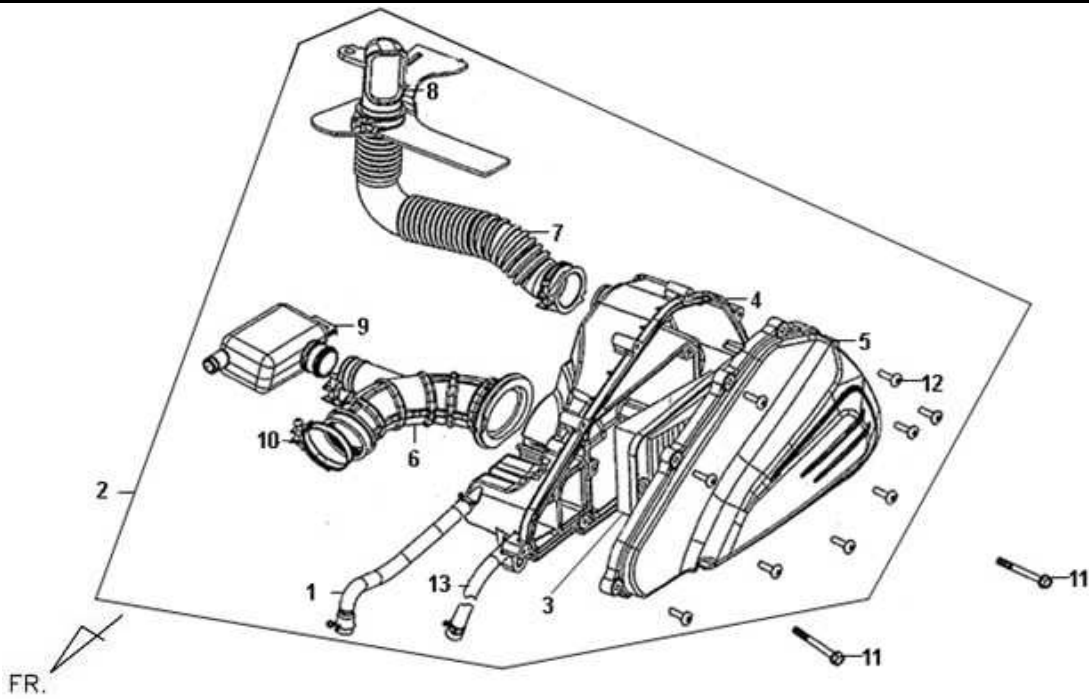


Pictures reference only

PARTS NUMBER	DESCRIPTION	QTY	EFFECTIVE DATE	
1 1Y01GY601-Y	BATTERIA YTX7A-BS (YUASA)	1		
2 32411-ARA-010	CAVO BATTERIA	1		
3 32412-ARA-000	CAVO MASSA BATTERIA	1		
4 89010-V1F-A00	SERIE UTENSILI	1		


※ Please check the color & stripe information according to the color index !  **TEAMWORLD IND. 2012.05**

※N/A = SUBSTITUTE ※Y = EXCHANGEABLE ※N =NOT EXCHANGEABLE



Pictures reference only

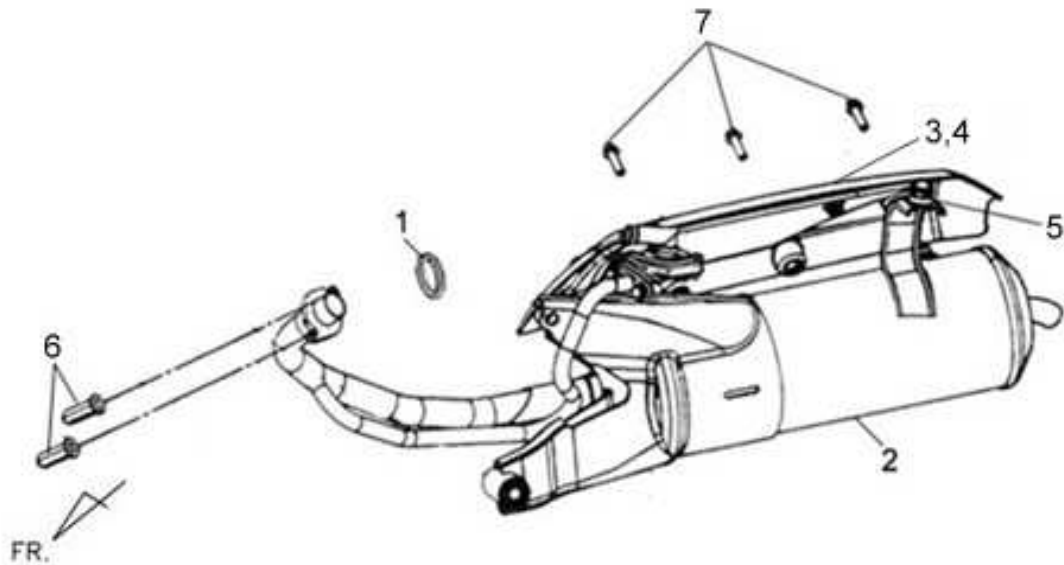
PARTS NUMBER	DESCRIPTION	QTY	EFFECTIVE DATE
1 11211-ARA-010	TUBO SFIATO	1	
2 17200-ARA-000	SCATOLA FILTRO ARIA COMPLETA	1	
2 17200-ARA-010	AIR/C	1	
3 17211-ADB-000	FILTRO ARIA	1	
4 17230-ARA-010	AIR/C CASE COMP	1	
5 17231-APA-000	COPERCHIO SCATOLA FILTRO ARIA	1	
6 17253-ARA-010	AIR/C CONNECTING TUBE	1	
7 17257-APA-000	AIR/C DUCT A	1	
8 17258-APA-000	AIR/C DUCT B	1	
9 17260-APA-000	AIR CHAMBER	1	
10 90652-M9Q-000	FASCETTA	1	
11 93404-06030-07	BOLT WASHER 6X30	2	
12 93903-25480	VITE AUTOFILETTANTE 5X20	9	
13 95003-23019-60	V TUBE 8X12X190	1	

※ Please check the color & stripe information according to the color index !  TEAMWORLD IND. 2012.05

※N/A = SUBSTITUTE


※Y = EXCHANGEABLE

※N =NOT EXCHANGEABLE



Pictures reference only

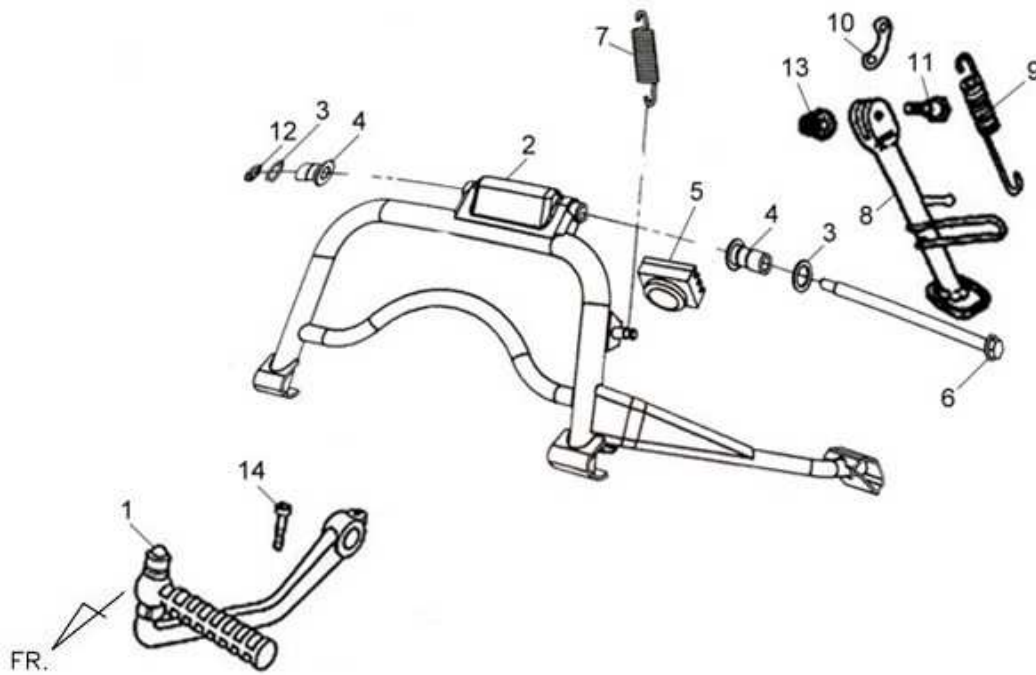
PARTS NUMBER	DESCRIPTION	QTY	EFFECTIVE DATE
1 18291-M9Q-000	GUARNIZIONE SCARICO	1	
2 18300-ARB-020	MARMITTA SYMPHONY S/SR 125/150	1	
2-1 18292-F3E-000	RONDELLA ISOLANTE	3	
2-2 18293-F3E-000	RONDELLA ISOLANTE	3	
2-3 18295-F3E-000	BOCCOLA 6MM	3	
2-4 18320-F3E-000	GOMMINO	3	
3 18318-KAA-000	PROTEZIONE MARMITTA NERO	1	
4 18319-KAA-000	COPER.PROTEZ.MARMITTA GRIGIO	1	
5 18321-ADB-000	RR. MUDGUARD STAY RUBBER	1	
6 90301-M9Q-000	DADO CIECO 6MM LUNGO	2	
7 96001-06022-49	BOLT6*22	3	

※ Please check the color & stripe information according to the color index !  TEAMWORLD IND. 2012.05

※N/A = SUBSTITUTE


※Y = EXCHANGEABLE

※N =NOT EXCHANGEABLE

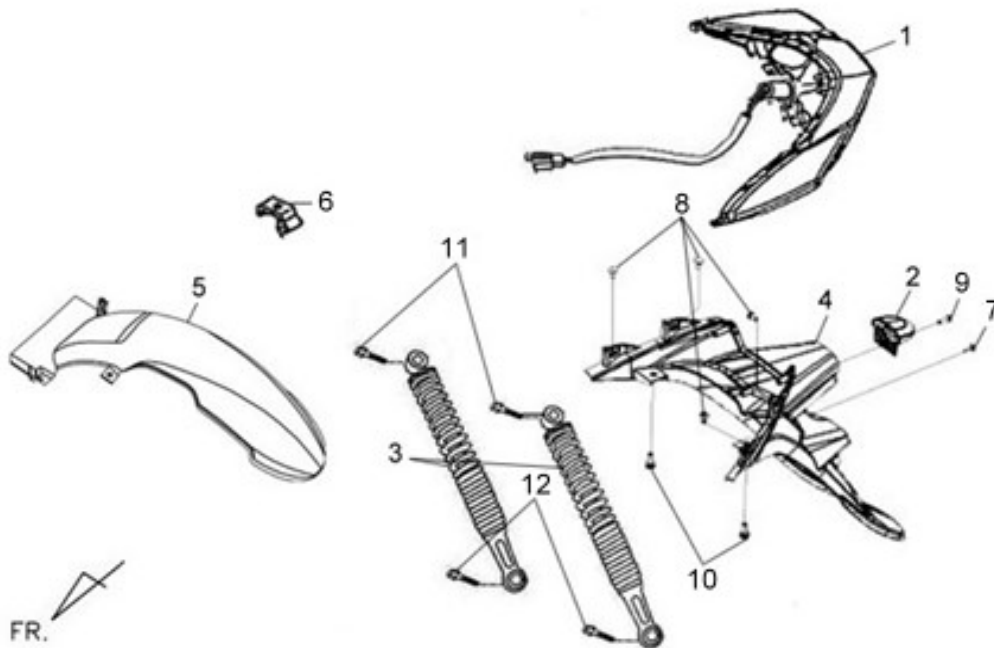


Pictures reference only

PARTS NUMBER	DESCRIPTION	QTY	EFFECTIVE DATE
1 28300-F6C-000	PEDALE AVVIAMENTO	1	
2 50500-X4A-000	CAVALLETTO CENTRALE	1	
3 50503-F6B-000	RONDELLA	1	
4 50504-Z6A-000	MAIN STAND COLLAR	2	
5 50506-ABA-000	STAND STOP RUBBER A	1	
6 50512-ARA-000	FLANGE BOLT	1	
7 5052A-APA-000	MOLLA CAVALLETTO CENTRALE	2	
8 50530-Z7E-000	CAVALLETTO LATERALE	1	
9 50535-APA-000	SIDE STAND SPRING ASSY	1	
10 50542-AAA-000	SPRING PLATE HOOK	1	
11 90108-G03-000	VITE CAVALLETTO LATERALE	1	
12 90309-M9Q-000-M2	DADO FLANGIATO 8MM	1	
13 94030-08080-0S	DADO M8X14X6.5	1	
14 95801-06022-07	VITE FLANGIATA 6X22	1	

※ Please check the color & stripe information according to the color index !  TEAMWORLD IND. 2012.05

※N/A = SUBSTITUTE ※Y = EXCHANGEABLE ※N = NOT EXCHANGEABLE



Pictures reference only

PARTS NUMBER	DESCRIPTION	QTY	EFFECTIVE DATE
1 33700-ATA-000	FANALE POSTERIORE	1	
1-1 33701-ATA-000	LENTE FANALE POSTERIORE	1	
1-2 34906-268-600	LAMPADINA 12V 18/5W POS.&STOP	1	
2 33740-APA-000	LUCE TARGA	1	
3 52400-ARB-010-R	RR.CUSHION(REDF)	2	
4 80100-X3A-000	PARAFANGO POSTERIORE	1	
5 80105-ARA-000	PARAFANGO PASSARUOTA	1	
6 80106-ARA-000	PARASPRUZZI PNEUM.POST.	1	
7 90115-G02-000	VITE FLANGIATA 6X16	1	
8 93903-25220	VITE AUTOFILETTANTE 5X12	4	
9 93903-35320	VITE AUTOFILETTANTE 5X16	1	
10 95801-06012-07	VITE FLANGIATA 6X12	2	
11 95801-08035-00	FLANGE BOLT 8X35	2	
12 95801-10035-08	VITE FLANGIATA 10X35	2	

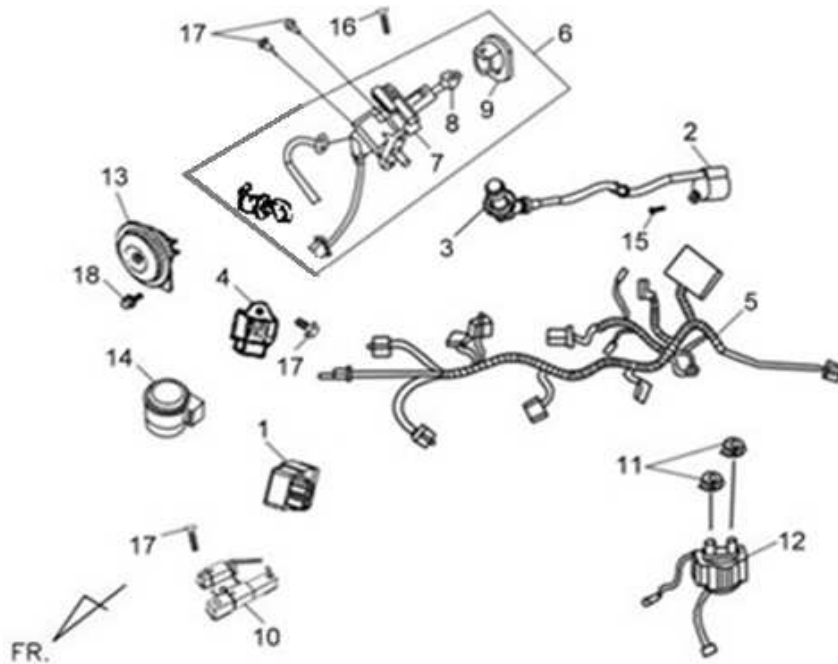
※ Please check the color & stripe information according to the color index !

 TEAMWORLD IND. 2012.05

※N/A = SUBSTITUTE


※Y = EXCHANGEABLE

※N =NOT EXCHANGEABLE

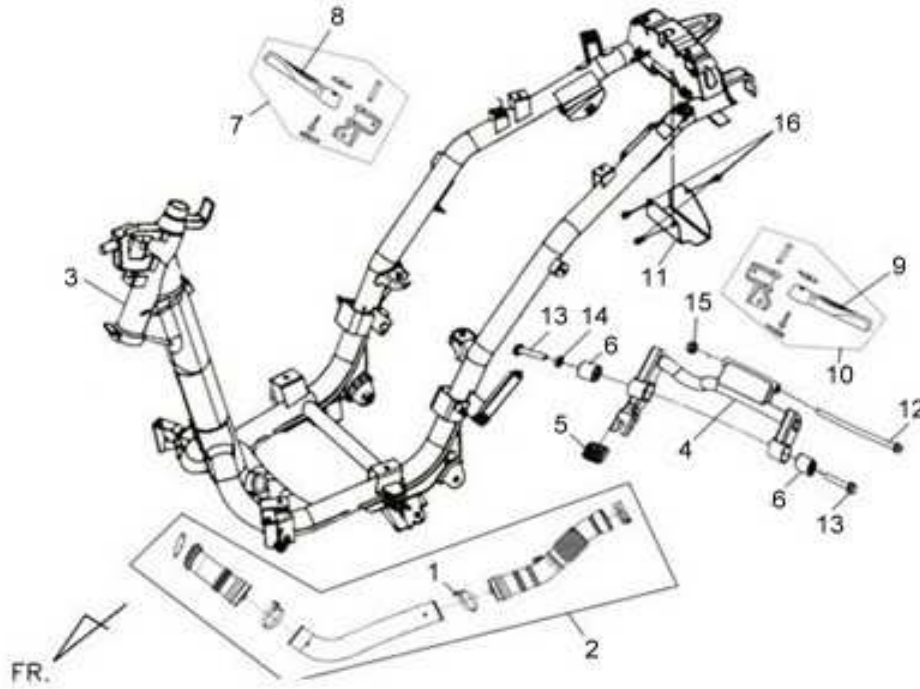


Pictures reference only

PARTS NUMBER	DESCRIPTION	QTY	EFFECTIVE DATE
1 30410-T3A-A00	CENTRALINA CDI	1	
2 3051A-ARA-010	BOBINA ACCENSIONE+PIPETTA	1	
3 30700-T7A-A00	PIPETTA CANDELA	1	
4 31600-CT3-A00	REGOLATORE DI TENSIONE	1	
5 32100-ARB-020	IMPIANTO ELETTRICO (2a Vers)	1	
6 35010-Z6A-010	GRUPPO SERRATURE	1	
7 35100-ALA-010	BLOCCO AVVI. A CHIAVE	1	
8 35111-N7B-E00	CHIAVE GREZZA FIDDLE/XS/SYMPHONY	1	
9 35114-ALA-000	GHIERA SERRATURA AVVIAMENTO	1	
10 35400-M92-000	RESISTENZA	1	
11 35859-M9Q-900	MAG SW NUT	2	
12 3585A-35A-A00	TELERUTTORE AVVIAMENTO	1	
13 38110-ABA-000	CLAXON	1	
14 38300-T40-010	INTERMITTENZA LAMPEGGIATORI	1	
15 90112-M9Q-000	FLANGE BOLT 5*22	1	
16 93891-05018-07	WASHER SCREW 5X18	1	
17 95801-06016-08	FLANGE BOLT 6X16	4	
18 95801-08012-08	VITE FLANGIATA 8X12	1	


※ Please check the color & stripe information according to the color index !  TEAMWORLD IND. 2012.05

※N/A = SUBSTITUTE ※Y = EXCHANGEABLE ※N =NOT EXCHANGEABLE



Pictures reference only

PARTS NUMBER		DESCRIPTION	QTY	EFFECTIVE DATE
1	11346-ABA-000	L COVER DUCT BAND	1	
2	1134B-ARA-000	L.COVER DUCT ASSY	1	
3	50100-X3A-010	TELAIO	1	
4	50351-ARA-010	ENG. HANGER ASSY	1	
5	50352-ADB-000	LIN STOPPER RUBBER	1	
6	50353-M9Q-000	BOCCOLA	2	
7	50710-APA-000	PEDANA POSTER. DX COMPLETA	1	
8	50715-APA-000	PEDANA POST.DX	1	
9	50718-APA-000	PEDANA POST.SX	1	
10	50720-APA-000	PEDANA POSTER. SX COMPLETA	1	
11	81208-ARA-000	DC. SOLENOID COVER	1	
12	90105-F6B-000	FLANGE BOLT 10*191	1	
13	90106-M9Q-900	VITE FLANGIATA 10X55	2	
14	90121-M9Q-000	DISTANCE COLLAR	1	
15	90304-M9Q-000	DADO AUTOBLOCCANTE 10MM	1	
16	96001-06010-08	VITE FLANGIATA 6X10	3	

※ Please check the color & stripe information according to the color index !  TEAMWORLD IND. 2012.05

※N/A = SUBSTITUTE

※Y = EXCHANGEABLE

※N =NOT EXCHANGEABLE