






Indice colori JOYMAX 300i MY2012

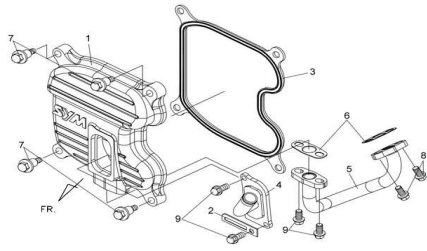
	YEARS		2012/04		2012/04		2012/04		
	MODEL		BLACK		MATT GRAY		WHITE		
	BASIC COLOR		BK		GY1		W		
	CODE		BK-231P		GY-7450U		WH-300P		
Item	Parts Number	Description	Basic Color	Code	Basic Color	Code	Basic Color	Code	
1	53204-L3A-000	UP HANDLE COVER A	BK-231P	KX	GY-7450U	IL	WH-300P	QU	
2	61100-L3A-000	FR FENDER	BK-231P/GY-7450U	KX2	GY-517S/GY-7450U	IL5	WH-300P/GY-7450U	QU1	
3	64300-L3A-000	FR UNDER SPOILER	GY-7450U	IL	GY-7450U	IL	GY-7450U	IL	
4	64301-L3A-000	FR COVER	BK-231P	KX	GY-7450U	IL	WH-300P	QU	
5	64304-L3A-000	R. SIDE SPOILER	BK-231P	KX	GY-7450U	IL	WH-300P	QU	
6	64305-L3A-000	L. SIDE SPOILER	BK-231P	KX	GY-7450U	IL	WH-300P	QU	
7	77400-L3A-000	RR BACK SEAT ASSY	BK-001U	KA	BK-001U	KA	BK-001U	KA	
8	81131-L3A-000	INNER BOX	BK-001U	KA	BK-001U	KA	BK-001U	KA	
9	81200-L3A-000	R. RR. CARRIER	GY-7450U	IL	GY-7450U	IL	GY-7450U	IL	
10	81210-L3A-000	L. RR. CARRIER	GY-7450U	IL	GY-7450U	IL	GY-7450U	IL	
11	8125A-L3A-000	LUGGAGE BOX ASSY	BK-001U	KA	BK-001U	KA	BK-001U	KA	
12	8350G-L3C-000	R BODY CVOER ASSY	BK-231P	KX	GY-7450U	IL	WH-300P	QU	
12-1	87126-L3C-000	R. BODY COVER EMBLEM		•		•		•	
12-2	87129-HML-000	I MARK		•		•		•	
13	8352G-L3A-000	R.SIDE COVER SET	BK-231P	KX	GY-7450U	IL	WH-300P	QU	
13-1	87121-A5W-000	SYM STRIPE		T3		T3		T2	
14	8360G-L3C-000	L BODY CVOER ASSY	BK-231P	KX	GY-7450U	IL	WH-300P	QU	
14-1	87127-L3C-000	L. BODY COVER EMBLEM		•		•		•	
14-2	87129-HML-000	I MARK		•		•		•	
15	8362G-L3A-000	L.SIDE COVER SET	BK-231P	KX	GY-7450U	IL	WH-300P	QU	
15-1	87121-A5W-000	SYM STRIPE		T3		T3		T2	
16	8811A-L3A-000	R. BACK MIRROR ASSY	BK-231P	KX	GY-7450U	IL	WH-300P	QU	
17	8812A-L3A-000	L. BACK MIRROR ASSY	BK-231P	KX	GY-7450U	IL	WH-300P	QU	
STRIFE									
12-1	12-2/14-2	13-1/15-1(BK/GY/GY1)	Pictures reference only						13-1/15-1(W)
									
14-1									
									



CONTENTS—ENGINE GROUP

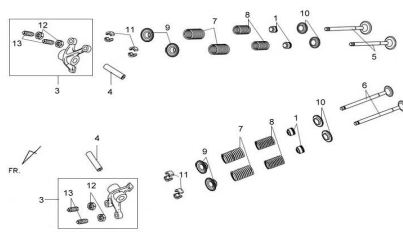
E01

CYLINDER HEAD COVER



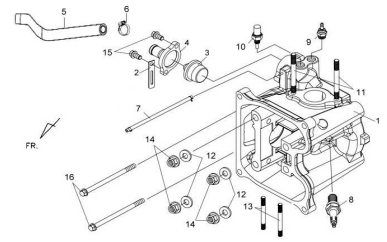
E02

IN/EX. VALVE ROCKER ARM ASSY



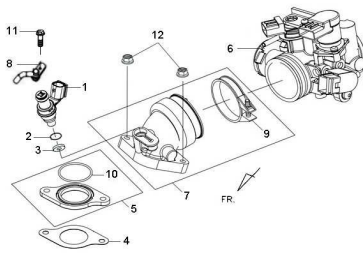
E03

CYLINDER HEAD COMP



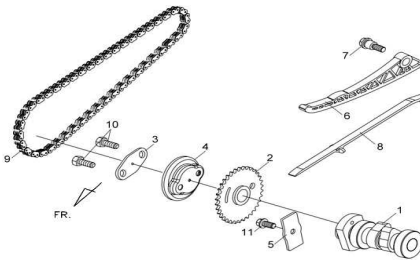
E04

INLET PIPE ASSY



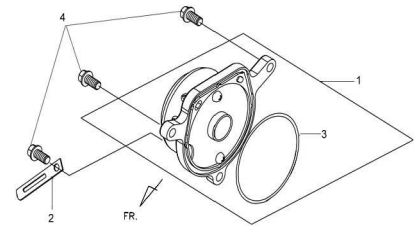
E05

CAM SHAFT COMP



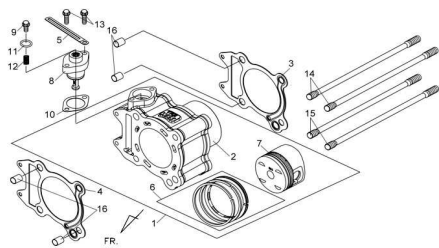
E06

CYL. HEAD SIDE COVER ASSY



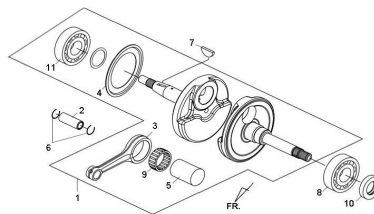
E07

CYLINDER ASSY



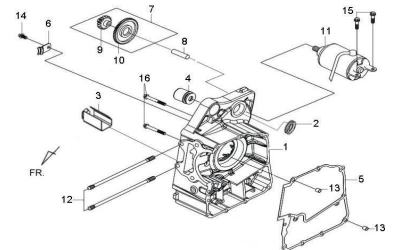
E08

CRANK SHAFT COMP



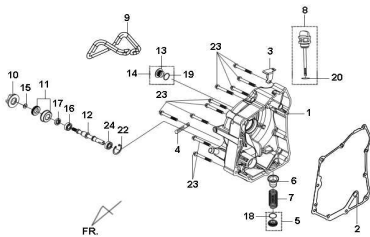
E09

R. CRANK CASE COMP



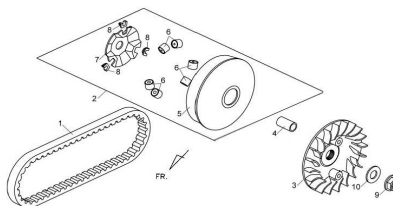
E10

R. CASE COVER COMP



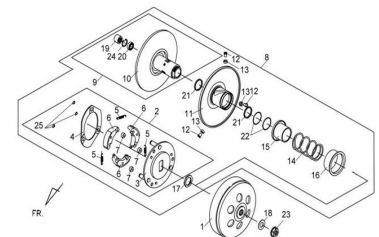
E11

MOVABLE DRIVE FACE ASSY

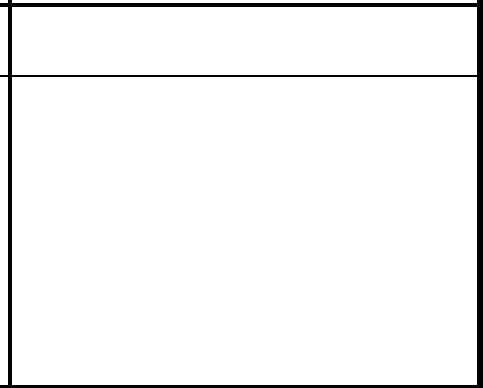
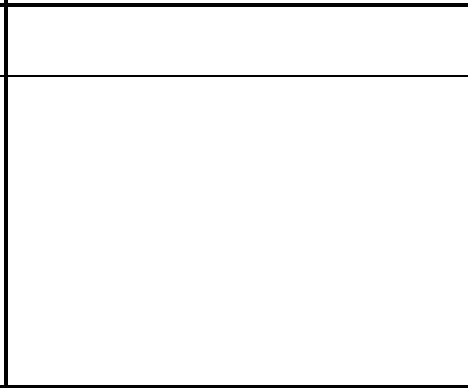
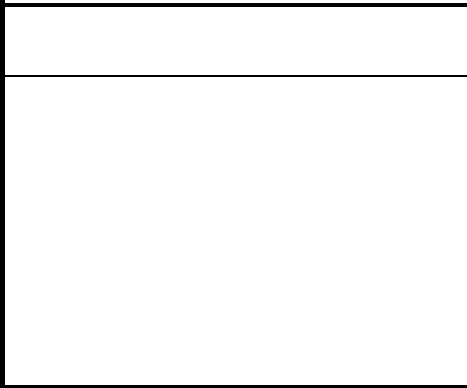
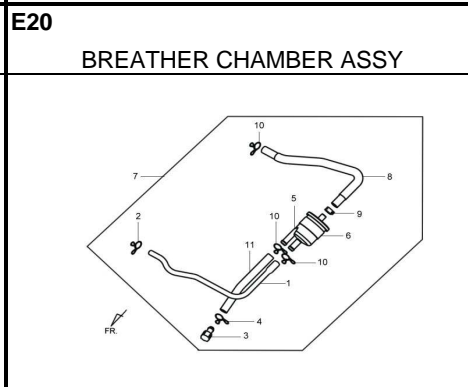
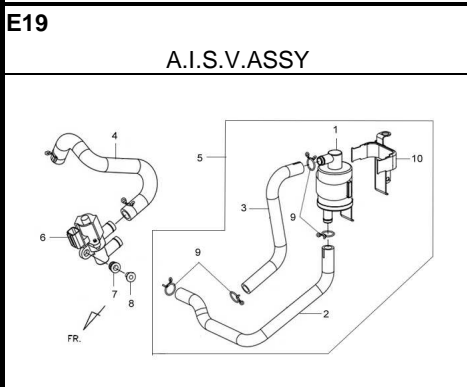
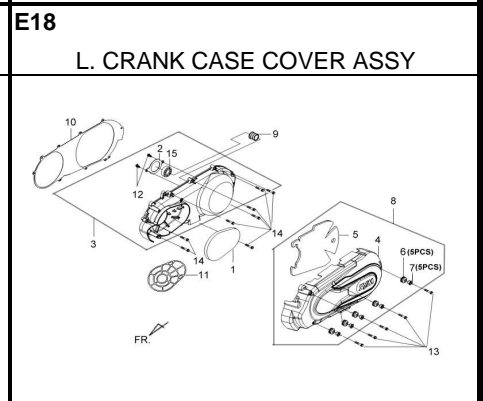
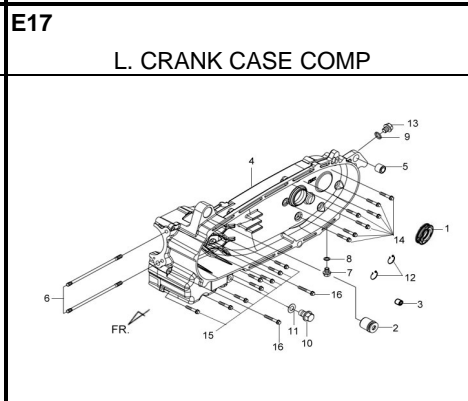
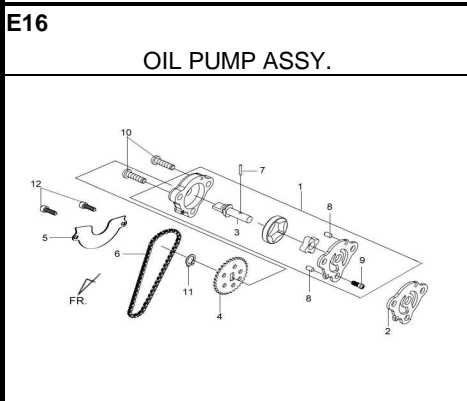
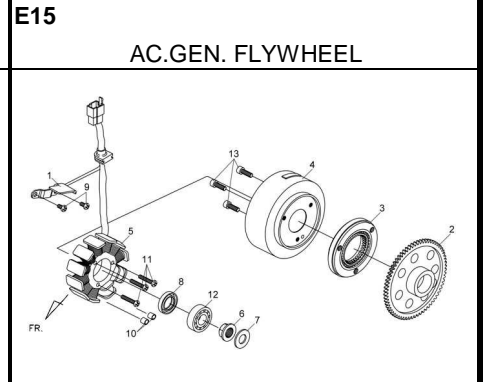
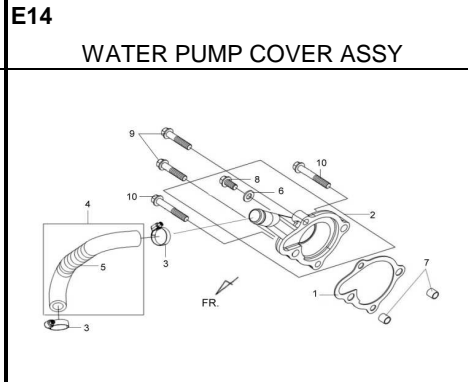
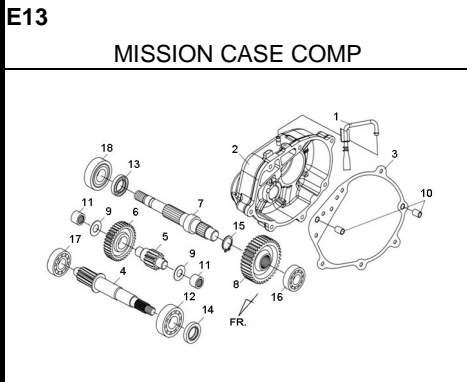


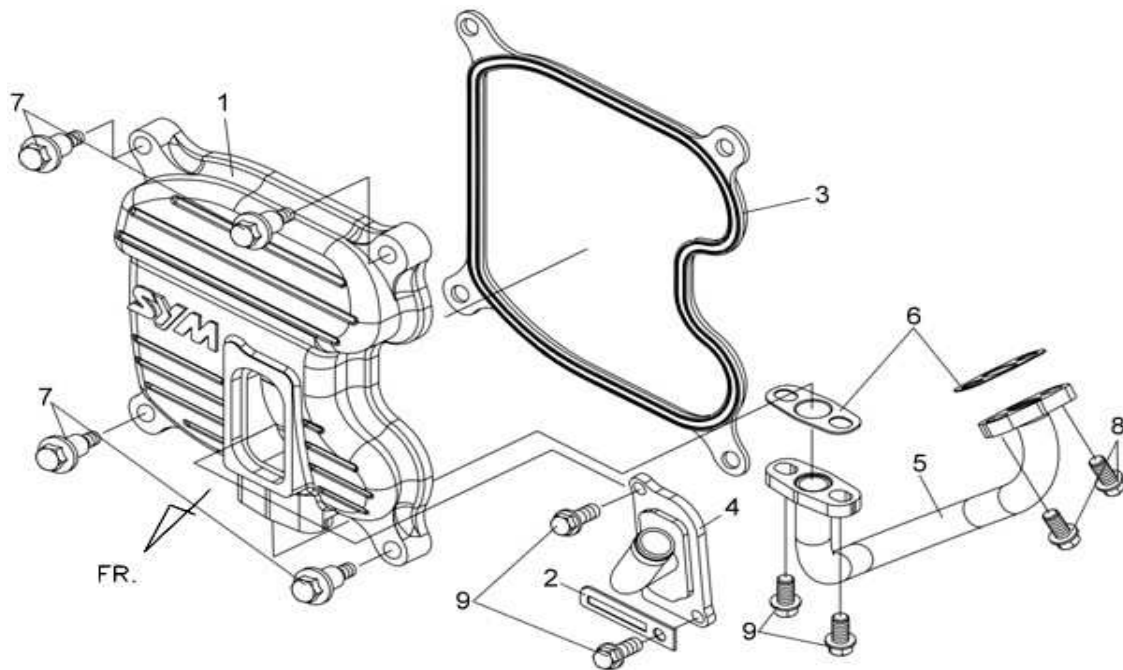
E12

DRIVEN PULLEY ASSY



CONTENTS—ENGINE GROUP





Pictures reference only

PARTS NUMBER	DESCRIPTION	QTY	EFFECTIVE DATE
1 12301-HMA-000	COPERCHIO VALVOLE	1	
2 12342-X01-000	FASCETTA	1	
3 12391-HMA-000	GUARNIZIONE COPERCHIO VALVOLE	1	
4 18610-HKA-000	COPERCHIO VALVOLA LAMELLARE	1	
5 18647-HMA-000	TUBO ARIA	1	
6 18654-N14-000	GUARNIZIONE TUBO ARIA	2	
7 90002-HMA-000	CYLINDER HEAD COVER BOLT	4	
8 96001-06014-00	FLANGE BOLT SH 6X14	2	
9 96001-06016-00	VITE FLANGIATA 6X16	4	

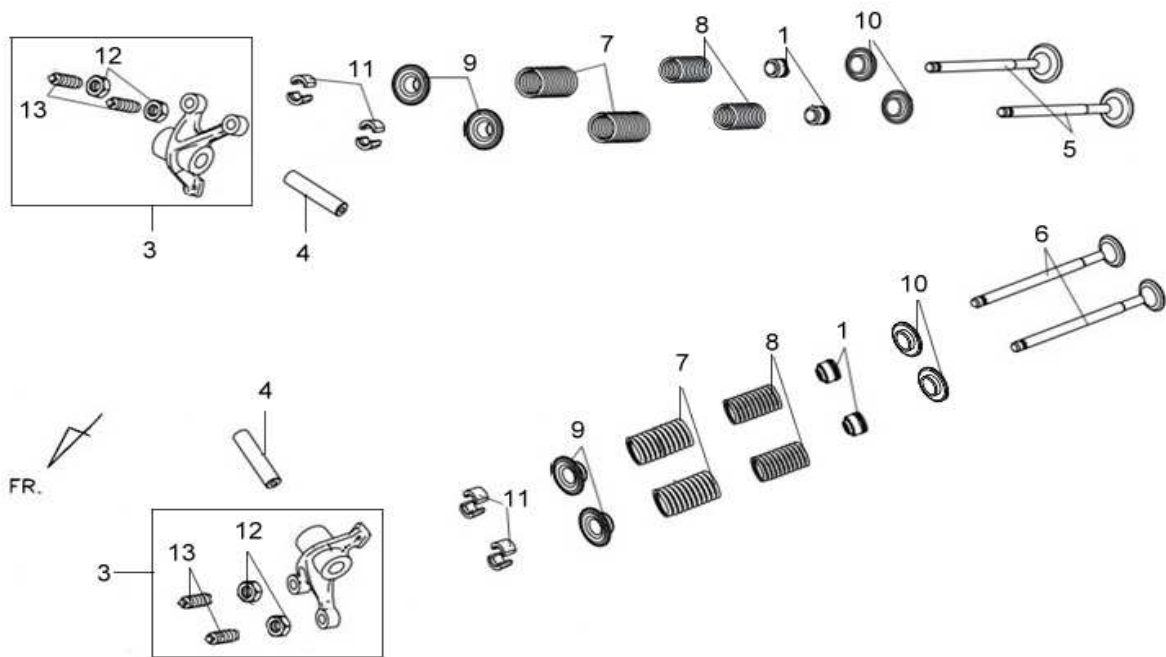
※ Please check the color & stripe information according to the color index !

 TEAMWORLD IND. 2012.04

※N/A = SUBSTITUTE

※Y = EXCHANGEABLE

※N = NOT EXCHANGEABLE



Pictures reference only

PARTS NUMBER	DESCRIPTION	QTY	EFFECTIVE DATE
1	12209-H6B-900	4	
2	1443A-LEA-000	1	
3	1444A-LEA-000	1	
4	14451-HMA-000	2	
5	14711-HMA-000	2	
6	14721-RFS-000	2	
7	14751-HMA-000	4	
8	14761-HMA-000	4	
9	14771-GB4-680	4	
10	14777-KN7-670	4	
11	14781-M9Q-000-A	2	
12	90012-HLK-000	4	
13	90206-HLK-000	4	

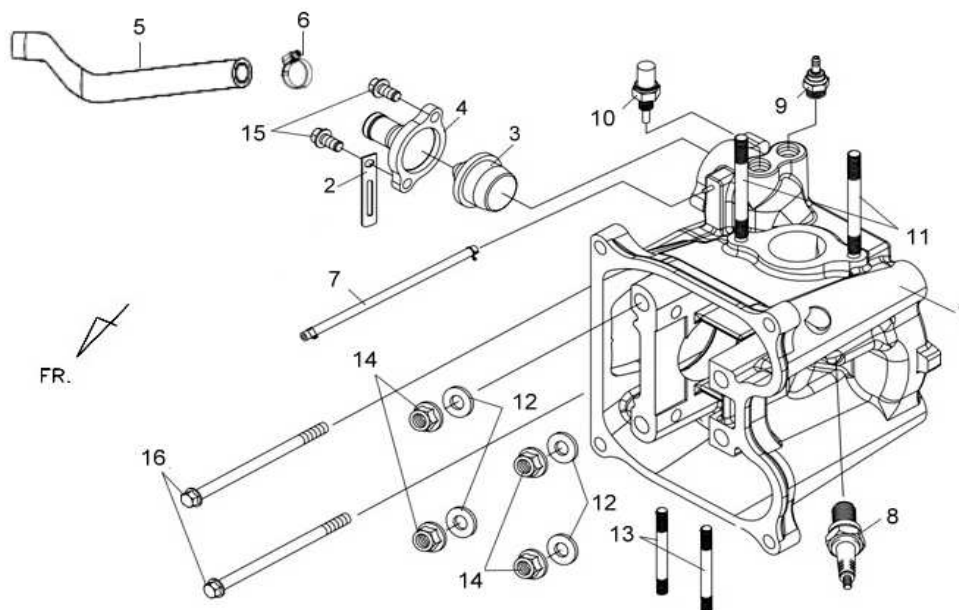
※ Please check the color & stripe information according to the color index !

 TEAMWORLD IND. 2012.04

※N/A = SUBSTITUTE

※Y = EXCHANGEABLE

※N = NOT EXCHANGEABLE



Pictures reference only

PARTS NUMBER	DESCRIPTION	QTY	EFFECTIVE DATE
1	12200-L3A-010	1	
2	12342-X01-000	1	
3	19300-HMA-000	1	
4	19315-L3A-010	1	
5	19502-L3A-000	1	
6	19505-KS6-700	1	
7	1951A-HMA-000	1	
8	1PCR8E-3	1	
9	37750-PC1-004	1	
10	37880-HMC-000	1	
11	90034-HMA-000	2	
12	90442-HMA-000	4	
13	92900-06028-0B	2	
14	94050-10080	4	
15	96001-06016-00	2	
16	96001-06090-00	2	

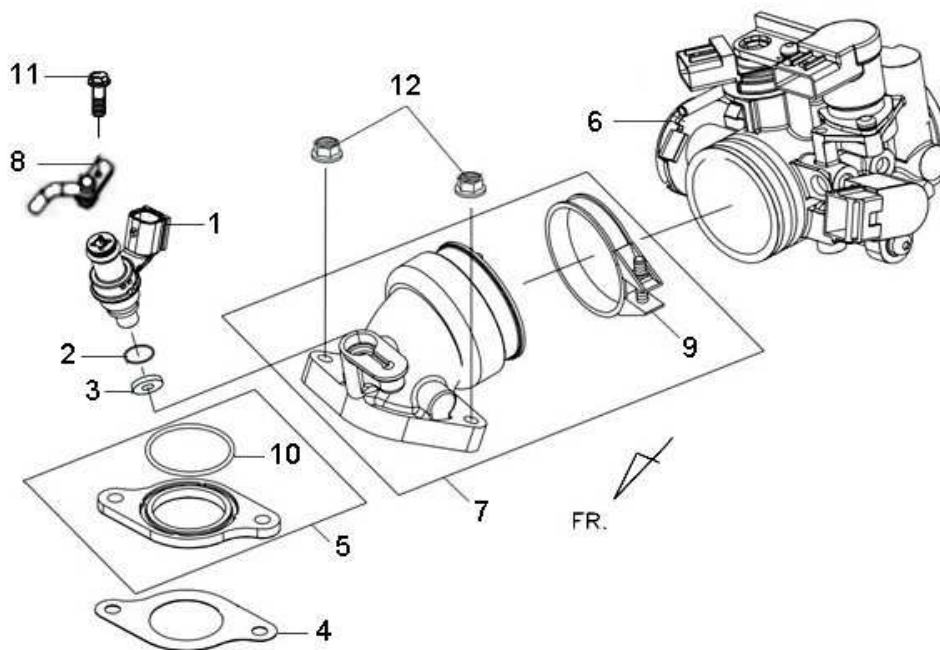
※ Please check the color & stripe information according to the color index !

 TEAMWORLD IND. 2012.04

※N/A = SUBSTITUTE

※Y = EXCHANGEABLE

※N = NOT EXCHANGEABLE



Pictures reference only

PARTS NUMBER		DESCRIPTION	Q T Y	EFFECTIVE DATE
1	06414-LEF-000	INIETTORE	1	
2	06415-HNS-000	O-RING	1	
3	06416-HNS-000	SEAL-RING	1	
4	16201-HMC-000	GUARNIZIONE COLLETTORE CARB.	1	
5	1621A-HMC-000	ISOLANTE CARBURATORE	1	
6	16401-L3A-000	CORPO FARFALLATO COMPLETO	1	
7	1711A-LEF-900	COLLETTORE ASPIRAZIONE	1	
8	17120-LEF-000	COPERCHIO INIETTORE	1	
9	90653-HMA-000	INLET PIPE BAND 48	1	
10	91308-HMA-000	O-RING 34*2.0	1	
11	92101-06016-0H	BOLT HEX 6*16	1	
12	94050-06000	DADO FLANGIATO 6MM	2	

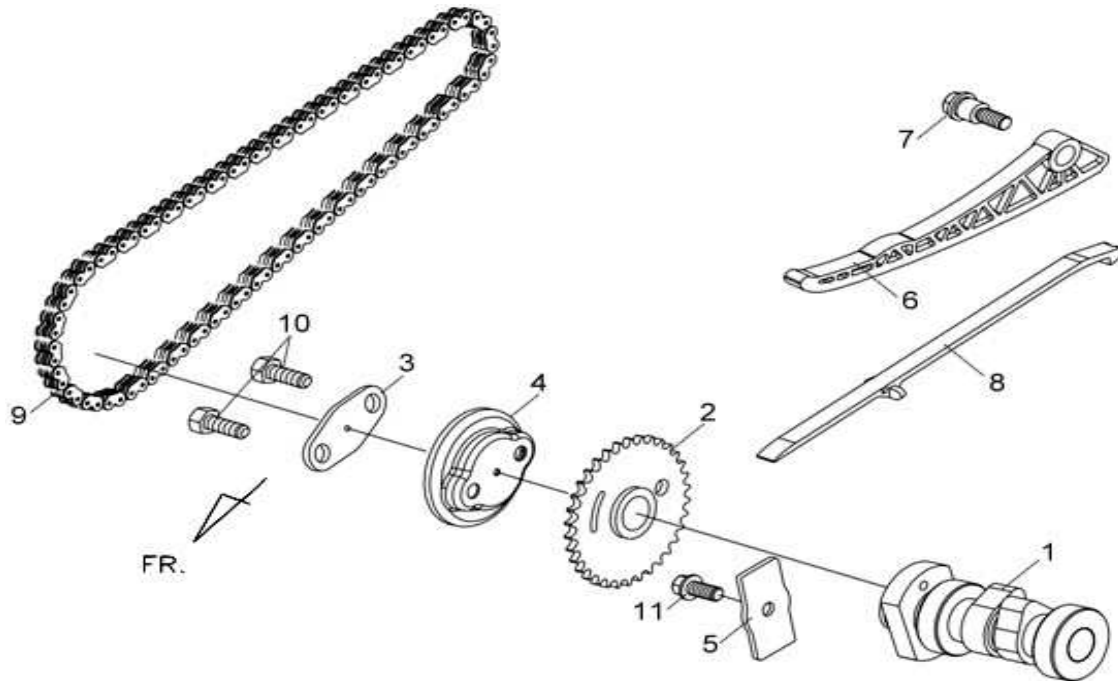
※ Please check the color & stripe information according to the color index !

 TEAMWORLD IND. 2012.04

※N/A = SUBSTITUTE

※Y = EXCHANGEABLE

※N = NOT EXCHANGEABLE



Pictures reference only

PARTS NUMBER	DESCRIPTION	QTY	EFFECTIVE DATE
1	14100-RFB-000	1	
2	14105-RFA-000	1	
3	14105-X01-000	1	
4	14108-M36-000	1	
5	14457-HMA-000	1	
6	14510-RFA-000	1	
7	14531-KJ9-000	1	
8	14610-RFA-000	1	
9	1C14401-RFA-000	1	
10	92101-06016-0H	2	
11	96001-06014-00	1	

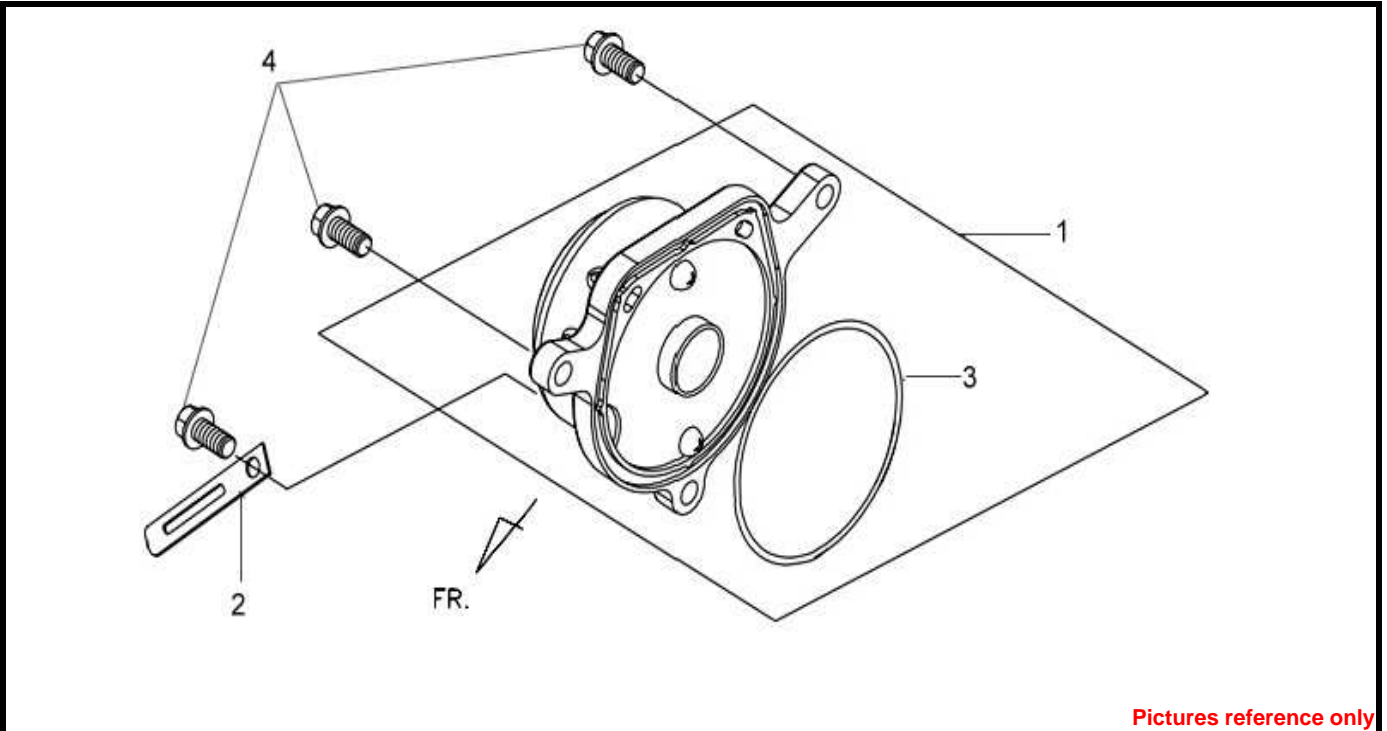
※ Please check the color & stripe information according to the color index !

 TEAMWORLD IND. 2012.04

※N/A = SUBSTITUTE

※Y = EXCHANGEABLE

※N = NOT EXCHANGEABLE



Pictures reference only

PARTS NUMBER		DESCRIPTION	QTY	EFFECTIVE DATE
1	1231A-L3A-000	COPERCHIO	1	
2	12342-X01-000	FASCETTA	1	
3	91301-HMA-000	HEAD SIDE COVER O-RING	1	
4	96001-06018-00	VITE FLANGIATA 6X18	3	

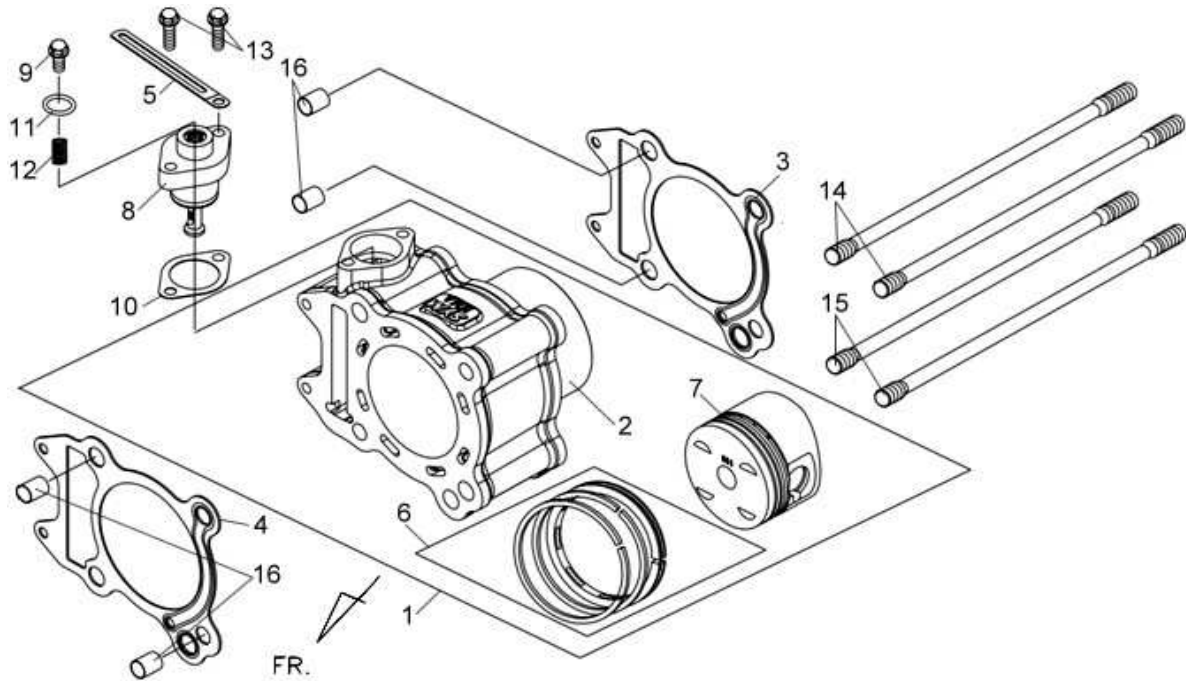
※ Please check the color & stripe information according to the color index !

 TEAMWORLD IND. 2012.04

※N/A = SUBSTITUTE

※Y = EXCHANGEABLE

※N =NOT EXCHANGEABLE



Pictures reference only

PARTS NUMBER	DESCRIPTION	Q T Y	EFFECTIVE DATE
1	12100-L3A-000-A	1	
2	12100-RFA-000	1	
3	12191-RFA-000	1	
4	12251-RFA-000	1	
5	12342-G02-000	1	
6	13010-L3A-000	1	
7	13101-L3A-000	1	
8	14520-H6T-000	1	
9	14522-H6T-000	1	
10	14523-M9Q-000	1	
11	14524-H6T-000	1	
12	14525-H6T-000	1	
13	90001-RFS-000	2	
14	90031-HMA-000	2	
15	90032-HMA-000	2	
16	94301-12200	4	

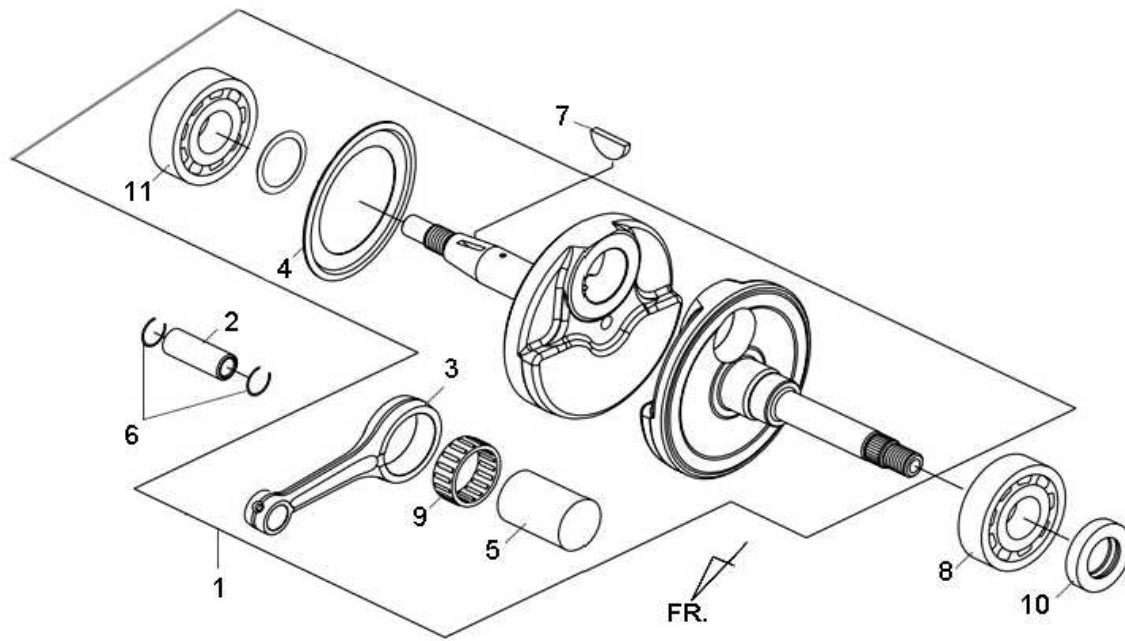
※ Please check the color & stripe information according to the color index !

 TEAMWORLD IND. 2012.04

※N/A = SUBSTITUTE

※Y = EXCHANGEABLE

※N = NOT EXCHANGEABLE



Pictures reference only

PARTS NUMBER	DESCRIPTION	QTY	EFFECTIVE DATE
1 13000-L3A-000	CARTER MOTORE DX	1	
2 13111-HMA-000	SPINOTTO PISTONE	1	
3 13201-L3A-000	BIELLA	1	
4 13371-HMA-300	ANELLO SPALLA ALBERO	1	
5 13381-HMA-300	ASSE BIELLA	1	
6 90601-HMA-000	PISTON PIN CLIP	2	
7 90701-HB6-010	CHIAVELLA VOLANO 25X14X4	1	
8 91001-HMA-000	RADIAL BALL BRG. TMB306	1	
9 91003-LEA-000	CONN.ROD BRG.KU32*41*17.8	1	
10 91201-HMA-300	PARAOILIO 27x42x7 TC	1	
11 96100-62070-10	CUSCINETTO A SFERE 6207	1	

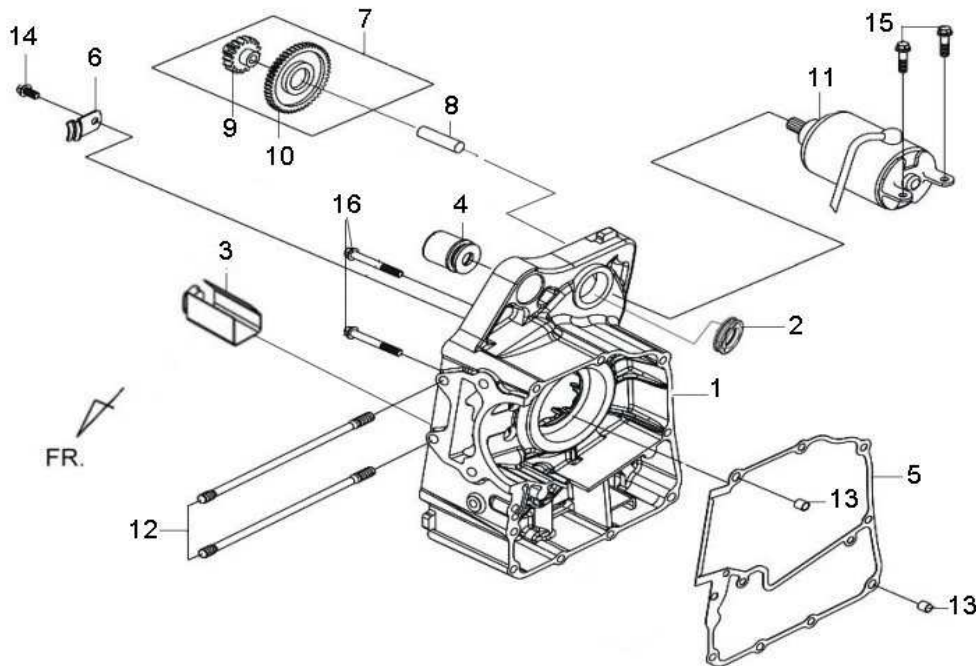
※ Please check the color & stripe information according to the color index !

 TEAMWORLD IND. 2012.04

※N/A = SUBSTITUTE

※Y = EXCHANGEABLE

※N = NOT EXCHANGEABLE



Pictures reference only

PARTS NUMBER	DESCRIPTION	QTY	EFFECTIVE DATE
1 11100-L3A-000	CARTER MOTORE DX	1	
2 11102-HMA-300	SILENT BLOCK MOTORE	1	
3 11107-HMA-000	MAGNET PLATE	1	
4 11120-LEA-000	ENGINE HANGER BUSE ASSY	1	
5 11191-L3A-000	GUARN.CENTR.SEMICARTER	1	
6 14151-RFA-000	GUIDA CATENA DISTRIBUZIONE	1	
7 28101-RB1-000	INGRANAGGIO RIDUZIONE MOTORINO AVVIAMEN	1	
8 28102-RB1-000	PERNO INGRANAGGIO	1	
9 28103-RB1-000	INGRANAGGIO MOTORINO AVVAIMENTO	1	
10 28105-HMA-300	INGRANAGGIO RIDUZIONE MOTORINO AVVAIMEN	1	
11 31200-HMA-000	MOTORINO AVVIAMENTO	1	
12 90031-HMA-000	CYLINDER STUD BOLT A	2	
13 94301-08140	GRANO REIFERIMENTO 8X14	2	
14 96001-06012-08	FLANGE BOLT SH 6X12	1	
15 96001-06022-00	VITE FLANGIATA 6X22	2	
16 96001-06055-00	VITE FLANGIATA 6X55	2	

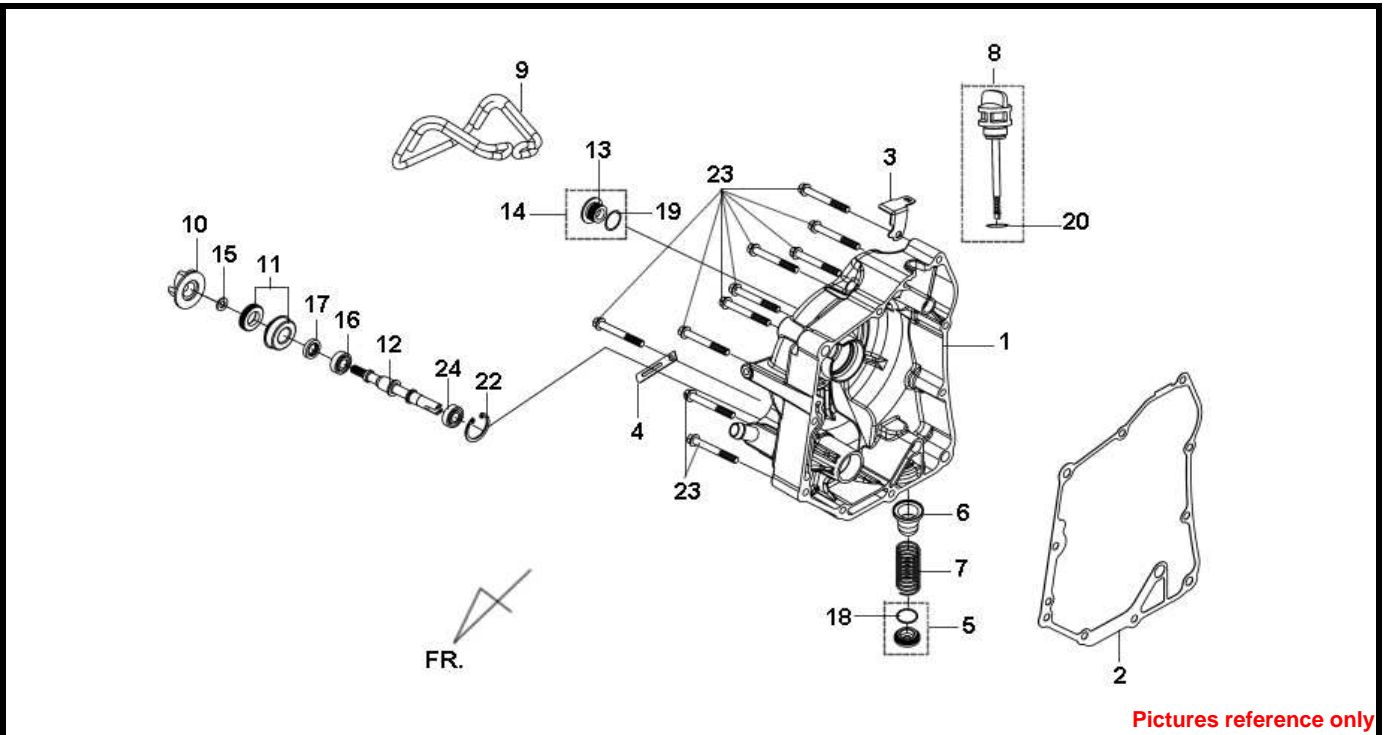
※ Please check the color & stripe information according to the color index !

 TEAMWORLD IND. 2012.04

※N/A = SUBSTITUTE

※Y = EXCHANGEABLE

※N = NOT EXCHANGEABLE



PARTS NUMBER	DESCRIPTION	QTY	EFFECTIVE DATE
1	11330-L3A-000	1	
2	11394-HMA-000	1	
3	11832-L3A-000	1	
4	12342-X01-000	1	
5	1236A-V02-000	1	
6	15421-B9D-000	1	
7	15426-GE1-920	1	
8	1565A-HMA-000	1	
9	18241-L3A-000	1	
10	19215-HLA-000	1	
11	19217-H9A-300	1	
12	19231-HMA-000	1	
13	90084-H9A-000	1	
14	9008A-H9A-000	1	
15	90423-KJ9-000	1	
16	91001-KJ9-005	1	
17	91205-KF0-003	1	
18	91302-M9Q-000	1	
19	91303-377-000	1	
20	91307-035-000	1	
21	94520-26000	1	
22	96001-06050-00	8	
23	96100-60000-00	1	

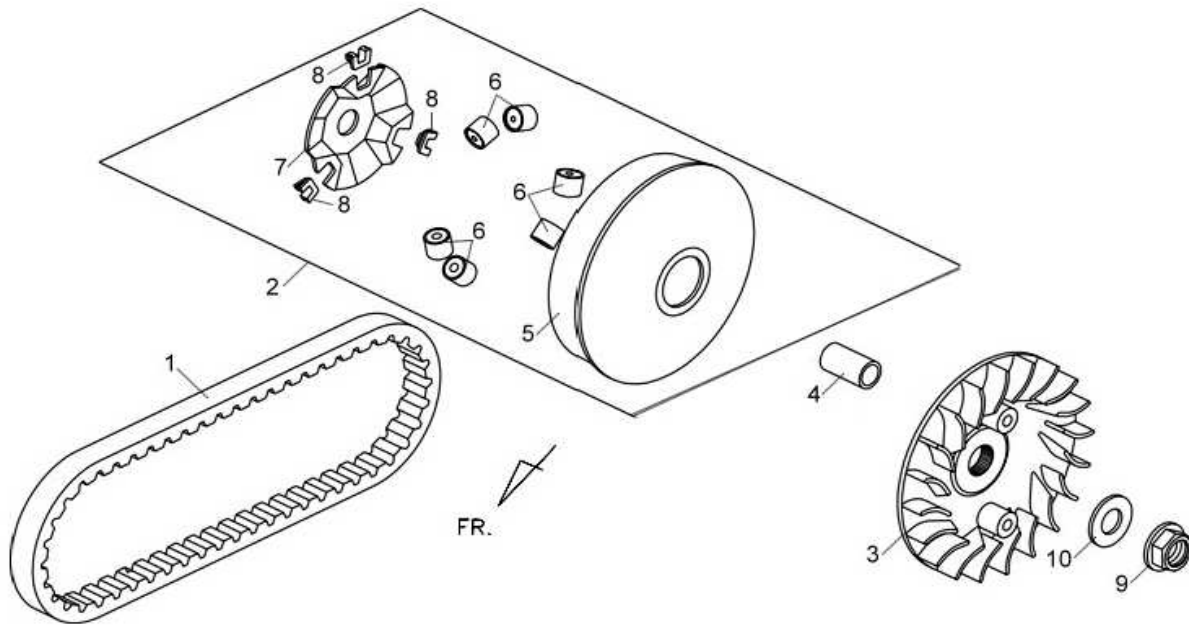
※ Please check the color & stripe information according to the color index !

 TEAMWORLD IND. 2012.04

※N/A = SUBSTITUTE

※Y = EXCHANGEABLE

※N = NOT EXCHANGEABLE



Pictures reference only

PARTS NUMBER	DESCRIPTION	QTY	EFFECTIVE DATE
1 1B01L3A01	CINGHIA TRAPEZ.	1	
2 22000-RB1-000	VARIATORE COMPLETO	1	
3 22102-HMA-000	PULEGGIA PRIMARIA FISSA	1	
4 22105-HMA-000	BOCCOLA PULEGG. PRIMARIA	1	
5 22110-HMA-000	PULEGGIA PRIMARIA MOBILE	1	
6 22121-RB1-001-A	SERIE RULLI VARIATORE 18g	1	
7 22131-HMA-000	RAMPA RULLI PORTA TASSELLI	1	
8 22132-HMA-000-A	SERIE TASSELLI(3 pz)	1	
9 90201-KR8-751-M1	DADO FLANGIATO 14MM	1	
10 90401-KJ9-000	RONDELLA RASAMENTO 14X28X2	1	

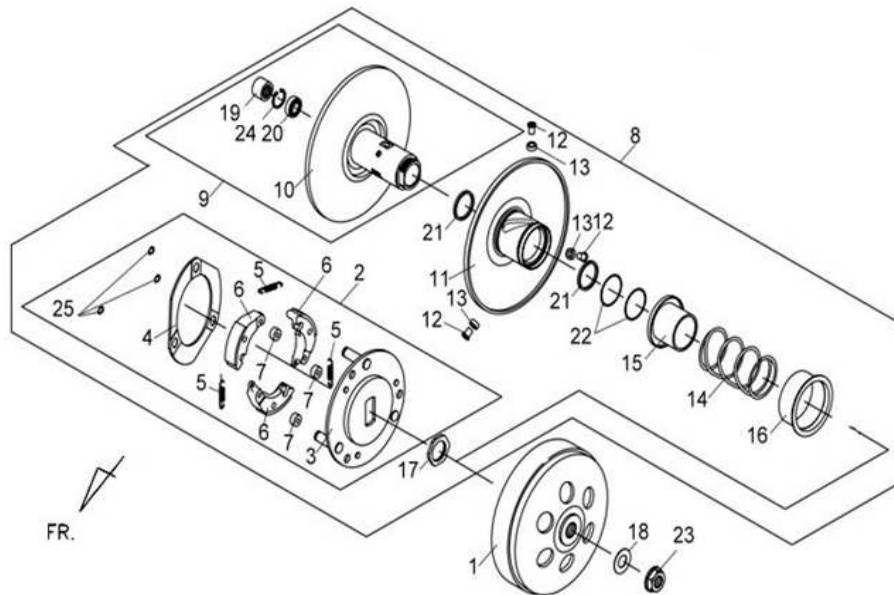
※ Please check the color & stripe information according to the color index !

 TEAMWORLD IND. 2012.04

※N/A = SUBSTITUTE

※Y = EXCHANGEABLE

※N = NOT EXCHANGEABLE



Pictures reference only

PARTS NUMBER	DESCRIPTION	QTY	EFFECTIVE DATE
1	22101-HMA-000	1	
2	22300-HMB-000	1	
3	22350-HMA-000	1	
4	22361-HMA-000	1	
5	22401-HMA-000	3	
6	22530-HMB-000-A	1	
7	22804-HMA-000	3	
8	23010-L3A-000	1	
9	23200-L3A-000	1	
10	23210-L3A-000	1	
11	23220-HMA-000	1	
12	23225-HMA-000	3	
13	23226-HMA-000	3	
14	23233-HMA-000	1	
15	23237-L4A-000	1	
16	23238-L3A-000	1	
17	90202-HMA-000	1	
18	90401-KJ9-000	1	
19	91006-HMA-300	1	
20	91007-HMA-300	1	
21	91211-HMA-000	2	
22	91305-HMA-000	2	
23	90201-KR8-751-M1	1	
24	90602-HMA-000	1	
25	94540-08010	3	

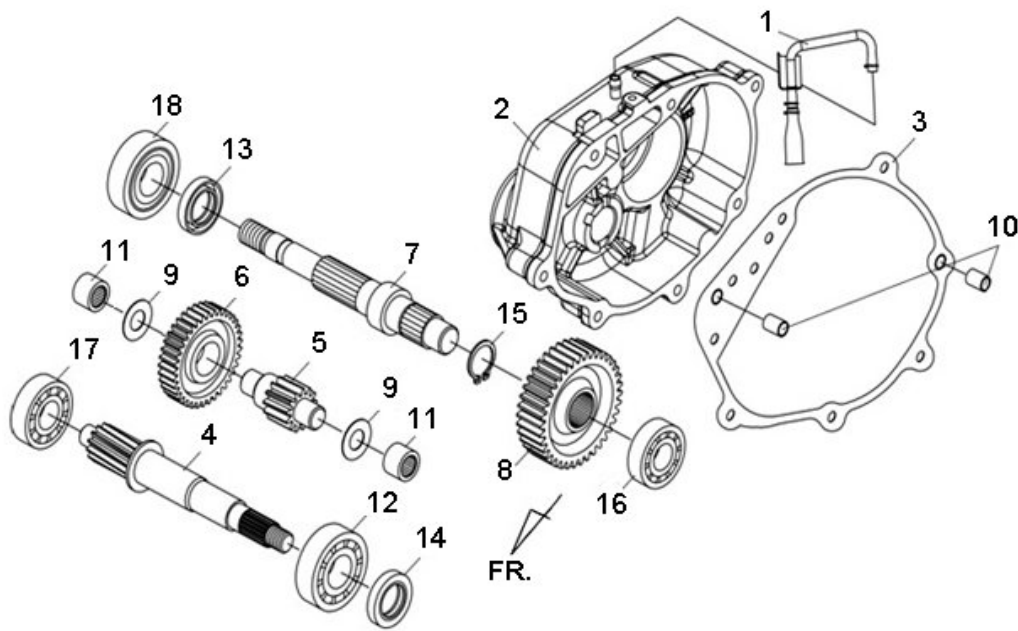
※ Please check the color & stripe information according to the color index !

 TEAMWORLD IND. 2012.04

※N/A = SUBSTITUTE

※Y = EXCHANGEABLE

※N =NOT EXCHANGEABLE



Pictures reference only

PARTS NUMBER		DESCRIPTION	QTY	EFFECTIVE DATE
1	1122A-HMA-000	TUBO SFIATO COMPLETO	1	
2	21200-L3A-000	COPERCHIO INGR.TRASMISSIONE	1	
3	21395-L3A-000	GUARNIZIONE COPERC. TRASM.	1	
4	23411-LEA-000	ALBERO PULEGGIA	1	
5	23421-L3A-300	ALBERO INTERMEDIO	1	
6	23422-HMA-300	INGRANAGGIO INTERMEDIO	1	
7	23431-L3A-000	ALBERO USCITA RUOTA	1	
8	23432-L3A-000	INGRANAGGIO	1	
9	90401-HMA-000	RONDELLA RASAMENTO 15mm	2	
10	90703-M8Q-000	GRANO RIFERIMENTO 10X14	2	
11	91002-HWA-000-M1	NEEDLE BRG.NK15*23*16	2	
12	91009-HMC-000	BALL RADIAL BRG.CSB205 JR2C3	1	
13	91203-HMA-000	PARAOLIO	1	
14	91204-HMA-000	PARAOLIO TC 25x40x7	1	
15	94510-30000	EX. CIRCLIP 30MM	1	
16	96100-62050-10	RADIAL BALL BEARING 6205/2AS	1	
17	96100-63020-00	CUSCINETTO A SFERE 6302	1	
18	96150-62050-10	CUSCINETTO A SFERE 6205LUU	1	

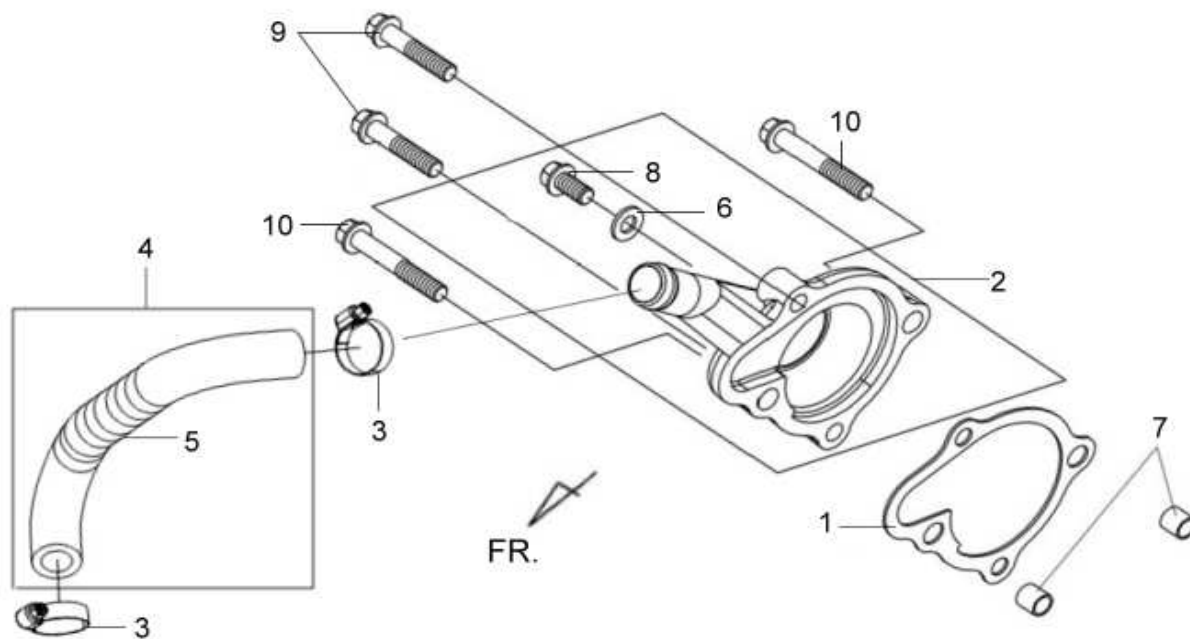
※ Please check the color & stripe information according to the color index !

 TEAMWORLD IND. 2012.04

※N/A = SUBSTITUTE

※Y = EXCHANGEABLE

※N = NOT EXCHANGEABLE



Pictures reference only

PARTS NUMBER	DESCRIPTION	QTY	EFFECTIVE DATE
1	19229-H9A-000	1	
2	1922A-LEA-000	1	
3	19505-KS6-700	2	
4	1950A-LEA-000	1	
5	19604-H01-000	1	
6	90478-700-000	1	
7	94301-08140	2	
8	96001-06010-00	1	
9	96001-06022-00	2	
10	96001-06032-00	2	

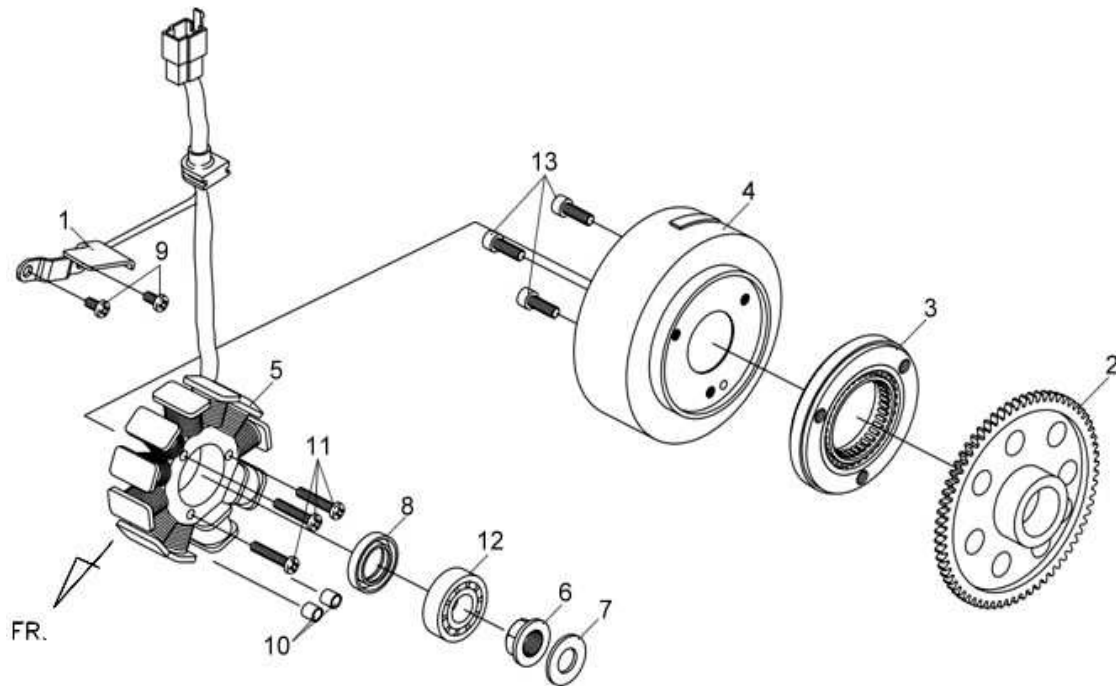
※ Please check the color & stripe information according to the color index !

 TEAMWORLD IND. 2012.04

※N/A = SUBSTITUTE

※Y = EXCHANGEABLE

※N = NOT EXCHANGEABLE



Pictures reference only

PARTS NUMBER	DESCRIPTION	QTY	EFFECTIVE DATE
1 15713-HMC-010	OIL BAFFLEPLATE	1	
2 28110-HMA-000	INGRANAGGIO RUOTA LIBERA	1	
3 2812A-L3A-000	RUOTA LIBERA COMPLETA	1	
4 31110-L3A-000	ROTORE VOLANO	1	
5 31120-L3A-000	STATORE VOLANO	1	
6 90201-KR8-751-M1	DADO FLANGIATO 14MM	1	
7 90401-KJ9-000	RONDELLA RASAMENTO 14X28X2	1	
8 91202-HMA-000	PARAOLIO 12x22x5	1	
9 93500-05016-0A	PAN SCREW 5X16	2	
10 94301-08140	GRANO REIFERIMENTO 8X14	2	
11 96001-06030-00	VITE FLANGIATA 6X30	3	
12 96140-62013-10	CUSCINETTO A SFERE 6201LUC3	1	
13 96700-08020-00	VITE BRUGOLA 8X20	3	

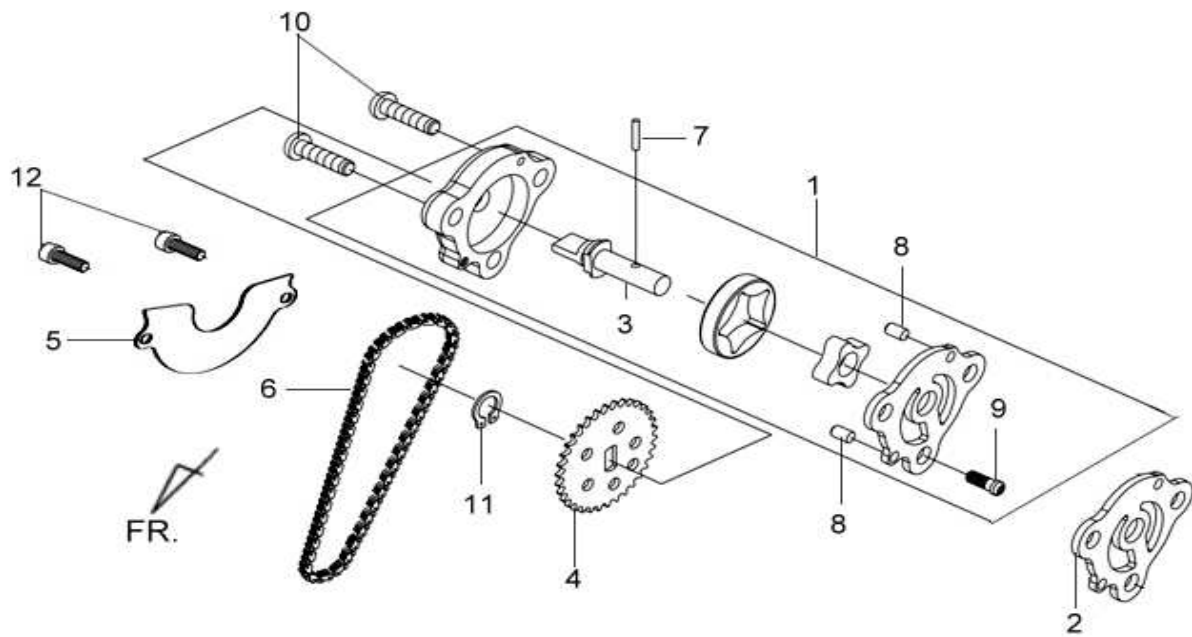
※ Please check the color & stripe information according to the color index !

 TEAMWORLD IND. 2012.04

※N/A = SUBSTITUTE

※Y = EXCHANGEABLE

※N = NOT EXCHANGEABLE



Pictures reference only

PARTS NUMBER		DESCRIPTION	Q T Y	EFFECTIVE DATE
1	15100-HMA-000	POMPA OLIO	1	
2	15126-B8A-000	GUARNIZIONE POMPA OLIO	1	
3	15132-HMA-000	ALBERO POMPA OLIO	1	
4	15133-HMA-000	PIGNONE CATENA POMPA OLIO	1	
5	15711-HML-000	SEPARATORE POMPA OLIO	1	
6	1C15141-HMA-000	CATENA POMPA OLIO	1	
7	91101-HMA-000	ROLLER 2.5X11.8	1	
8	91103-A3F-000	ROLLER 3*9.8	2	
9	93500-03008-1A	PAN SCREW 3X8	1	
10	93500-06025-0H	PAN SCREW	2	
11	94510-10000	ANELLO SEEGER 10MM	1	
12	96001-06012-08	FLANGE BOLT SH 6X12	2	

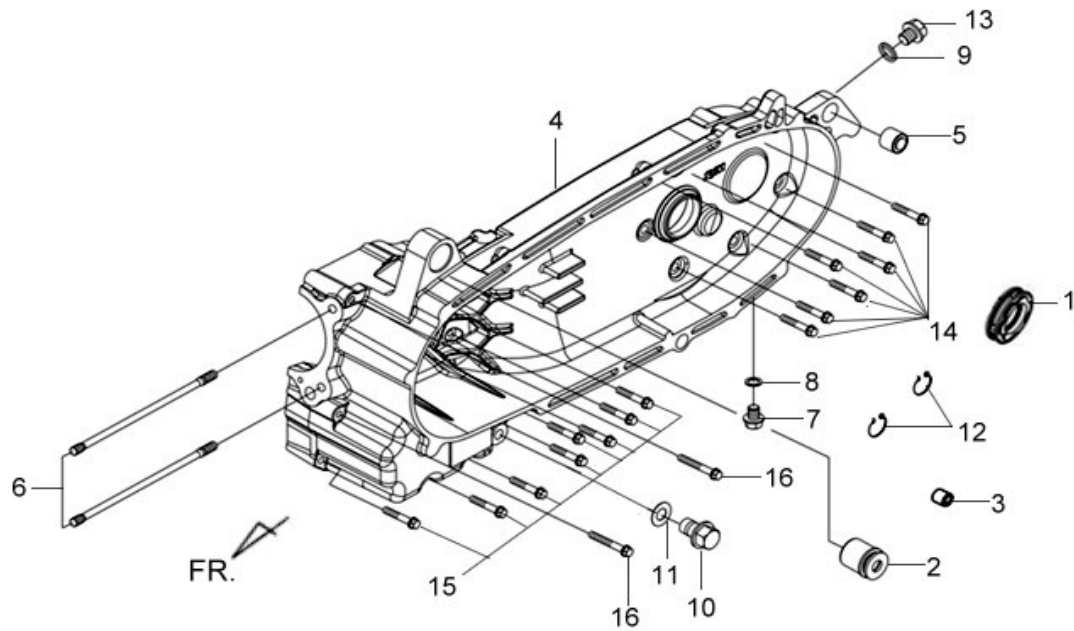
※ Please check the color & stripe information according to the color index !

 TEAMWORLD IND. 2012.04

※N/A = SUBSTITUTE

※Y = EXCHANGEABLE

※N = NOT EXCHANGEABLE



Pictures reference only

PARTS NUMBER	DESCRIPTION	QTY	EFFECTIVE DATE
1	11102-HMA-300	1	
2	11120-LEA-000	1	
3	11133-A1A-300	1	
4	11200-L3A-000	1	
5	11203-GC7-300	1	
6	90032-HMA-000	2	
7	90103-KN8-000	1	
8	90474-M9Q-000	1	
9	90481-M9Q-000	1	
10	92800-12000	1	
11	94109-12000	1	
12	94510-20000	2	
13	95701-10012-08	1	
14	95801-08050-08	7	
15	96001-06050-00	8	
16	96001-06070-00	2	

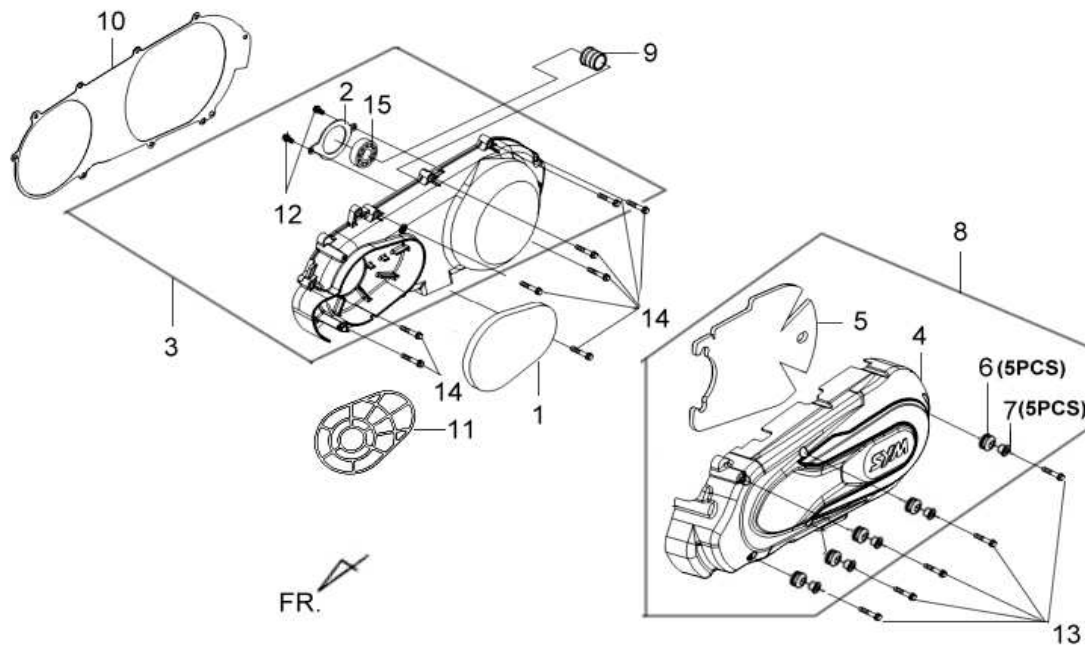
※ Please check the color & stripe information according to the color index !

 TEAMWORLD IND. 2012.04

※N/A = SUBSTITUTE

※Y = EXCHANGEABLE

※N = NOT EXCHANGEABLE



Pictures reference only

PARTS NUMBER		DESCRIPTION	QTY	EFFECTIVE DATE
1	11344-HMA-000	FILTRO CARTER FRIZIONE	1	
2	11346-HMA-000	L. BEARING SETTING PLATE	1	
3	1134A-L3A-000	COPERCHIO FRIZIONE COMPLETO	1	
4	11351-L3A-000-GYK	COPERCHIO FRIZIONE (GY-7450U/BK-001U)	1	
5	11352-HMA-000	FILTRO CARTER TRASMISSIONE LM25	1	
6	11354-H3A-000	MOUNT RUBBER	5	
7	11356-H3A-000	COLLAR	5	
8	1135A-L3A-000-GYK	COPERCHIO FRIZIONE COMPLETO BK-001U	1	
9	1137A-HMA-000	BERING STAY COLLAR ASSY	1	
10	11395-L3A-000	GUARNIZIONE COPERCHIO FRIZIONE	1	
11	17221-LEA-000	GRIGLIA CARTER FRIZIONE	1	
12	96001-06012-00	VITE FLANGIATA 6X12	2	
13	96001-06018-07	SH. FLANGE BOLT	5	
14	96001-06025-00	VITE FLANGIATA 6X25	8	
15	96150-60060-10	CUSCINETTO A SFERE 6006LLU	1	

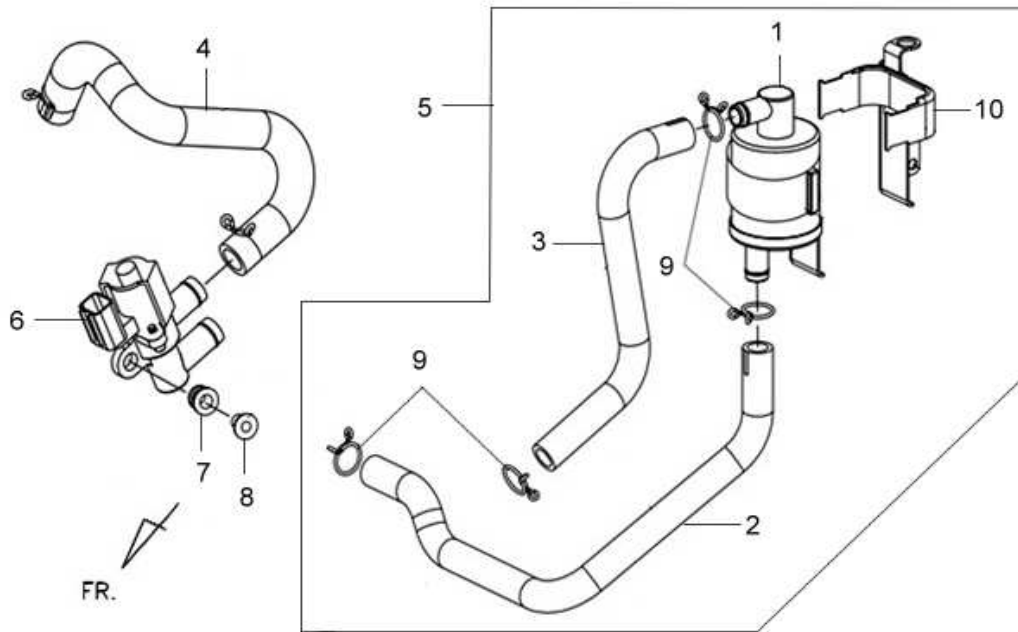
※ Please check the color & stripe information according to the color index !

 TEAMWORLD IND. 2012.04

※N/A = SUBSTITUTE

※Y = EXCHANGEABLE

※N = NOT EXCHANGEABLE



Pictures reference only

PARTS NUMBER		DESCRIPTION	Q T Y	EFFECTIVE DATE
1	17570-HMC-000	A.I.A.C. COMP	1	
2	17571-L3A-000	A.I.C.V. TUBE A	1	
3	17574-L2A-000	A.I.C.V. TUBE B	1	
4	17576-L3A-000	A.I.S.V.-REED VALVE JOINT	1	
5	1757A-L3A-000	A.I.A.C. ASSY	1	
6	17590-HMC-000	A.I.S.V. ASSY	1	
7	17591-HMC-000	A.I.S.V.RUBBER	1	
8	17592-HMC-000	A.I.S.V.COLLAR	1	
9	18533-M7Q-000	AIR HOSE CLIP 19	4	
10	18659-L2A-000	A.I.S.V STAY	1	
11	18811-N14-000	A.I.C.V. SETTING BAND	1	

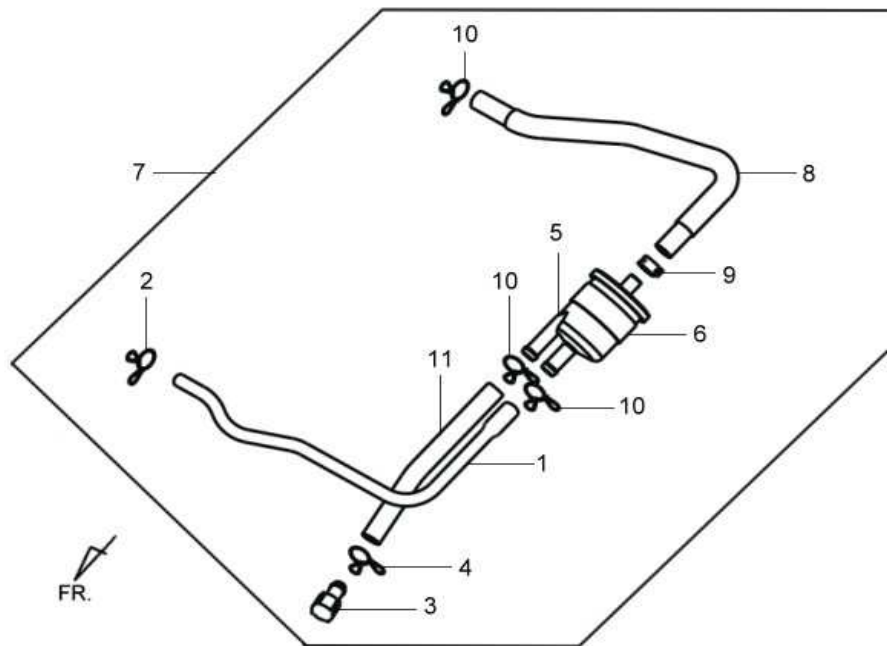
※ Please check the color & stripe information according to the color index !

 TEAMWORLD IND. 2012.04

※N/A = SUBSTITUTE

※Y = EXCHANGEABLE

※N = NOT EXCHANGEABLE



Pictures reference only

PARTS NUMBER		DESCRIPTION	Q T Y	EFFECTIVE DATE
1	11211-L3A-000	TUBO SFIATO	1	
2	15772-500-013	MORSETTO	1	
3	17370-M9Q-000	PLUG,BREATHER TUBE.	1	
4	17371-M9Q-000	BREATHER TUBE CLIP	1	
5	17380-H6A-000	BREATHER CHAMPER COMP	1	
6	17385-H6A-000	CHAMBER SETTING BAND	1	
7	1738A-L3A-000	BREATHER CHAMPER ASSY	1	
8	17562-L2A-000	P.C.V./A.C. TUBE	1	
9	90682-V02-900	FASCETTA 11.5	1	
10	95002-80000	TUBE CLIP C12	3	
11	95003-23022-60	V TUBE(8X12X220)	1	

※ Please check the color & stripe information according to the color index !

 TEAMWORLD IND. 2012.04

※N/A = SUBSTITUTE

※Y = EXCHANGEABLE

※N = NOT EXCHANGEABLE