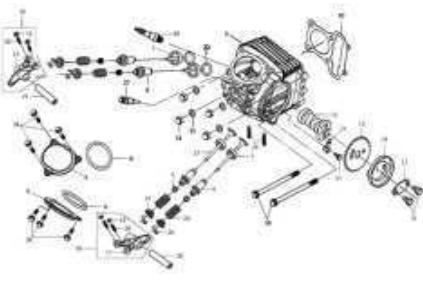
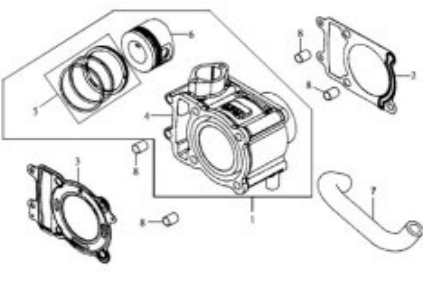
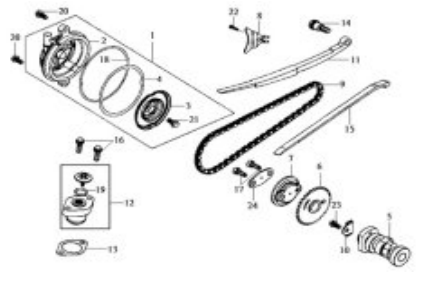
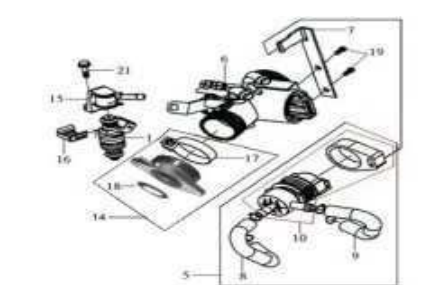
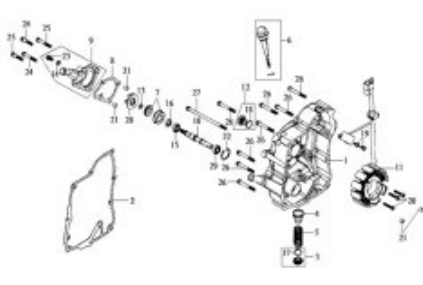
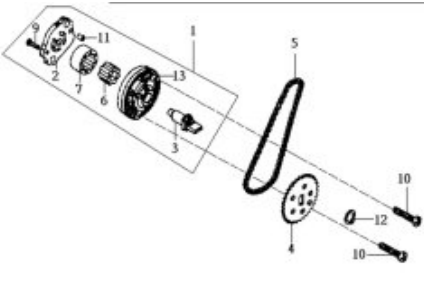
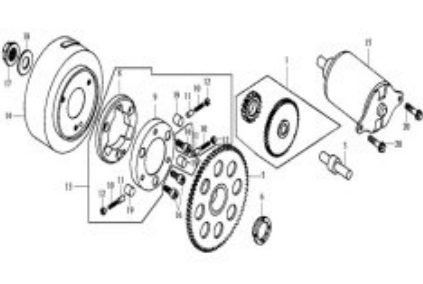
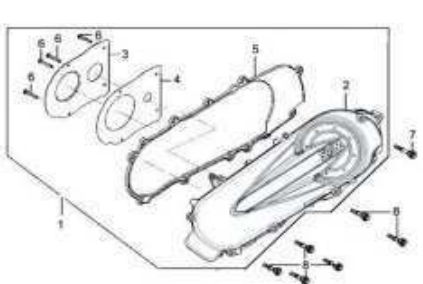
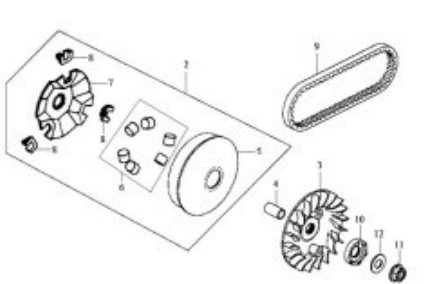
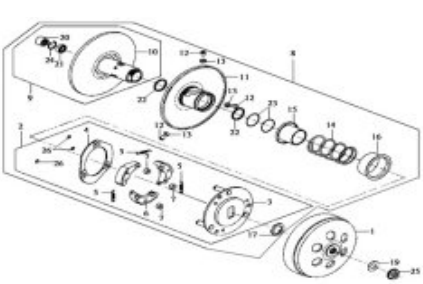
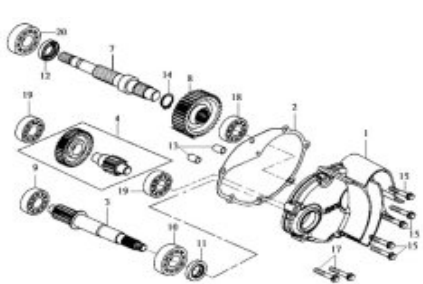
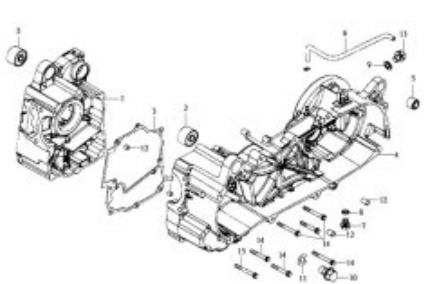


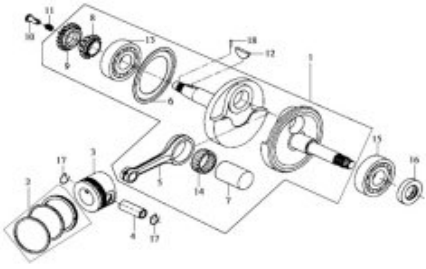
## Tavole Motore 1

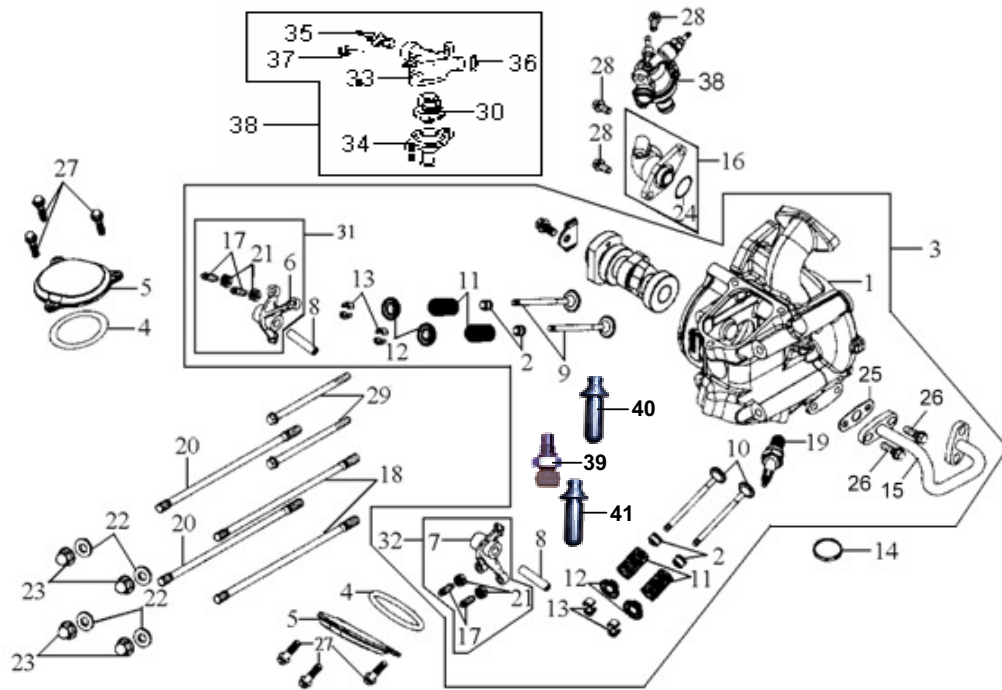
<b>E01</b> CYLINDER HEAD ASS'Y	<b>E02</b> CYLINDER ASS'Y	<b>E03</b> CYL. HEAD SIDE COVER ASSY
		
<b>E04</b> FUEL INJECTION	<b>E05</b> R. CRANK CASE COVER	<b>E06</b> OIL PUMP ASS'Y
		
<b>E07</b> START. REDUCT. GEAR COMP	<b>E08</b> L. CRANK CASE COVER	<b>E09</b> MOVABLE DRIVE FACE ASS'Y
		
<b>E10</b> DRIVEN PULLEY ASS'Y	<b>E11</b> MISSION COVER COUNTER SHAFT	<b>E12</b> R. CRANK CASE COMP.
		

## Tavole Motore 2

E13

CRANK ASS'Y





Pictures reference only

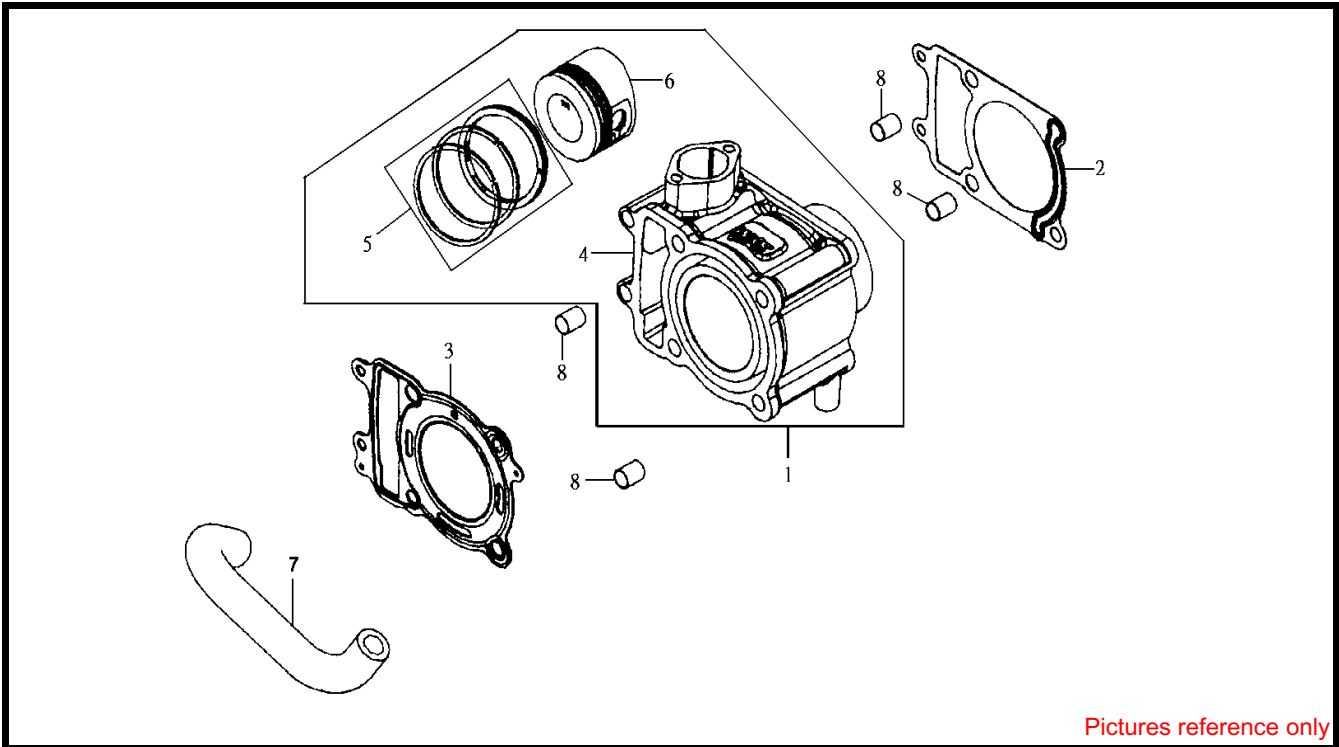
PARTS NUMBER	DESCRIPTION	QTY	EFFECTIVE DATE
1	12200-HLK-000	1	
2	12209-H6B-000	1	
3	1220A-HGC-000	1	
4	12362-H9A-000	2	
5	12361-H9A-000	2	
6	14431-H9A-000-F2	1	
7	14441-H9A-000-F2	1	
8	14451-H6B-000	2	
9	14711-H9A-000	1	
10	14721-H9A-000	1	
11	14751-H6B-000	4	
12	14771-H6B-000	4	
13	14781-M9Q-000-A	2	
14	18291-H9A-000	1	
15	18647-HHA-000	1	
16	1931A-H9A-000	1	
17	90012-M9Q-000	4	
18	90031-HLK-000	2	
19	1PCR7E-3	1	
20	90032-HLK-000	2	
21	90206-HLK-000	4	
22	90442-HLK-000	4	
23	90443-HLK-000	4	
24	91301-KV7-671-M1	1	
25	18654-N14-000	1	
26	93402-06016-08	2	

27	96001-06016-08	VITE FLANGIATA 6X16	6	
28	96001-06020-08	VITE FLANGIATA 6X20	3	
29	96001-06095-08	VITE FLANGIATA	2	
30	19300-H01-000	TERMOSTATO	1	
31	1443A-H9A-000	BILANCERE ASPIRAZIONE COMPLETO	1	
32	1444A-H9A-000	BILANCERE SCARICO COMPLETO	1	
33	19310-KV7-900	ALLOGGIAMENTO TERMOSTATO	1	
34	19315-HHA-000	COPERCHIO TERMOSTATO	1	
35	37750-PC1-004	BULBO TEMPARATURA (TESTA)	1	
36	91301-KV7-671-M1	ANELLO O-RING 14.8x1.9	1	
37	96001-06018-08	VITE FLANGIATA 6X18	1	
38	1930A-HHA-000	ALLOGGIAMENTO TERMOSTATO COMPLET	1	
39	37880-HLK-000	COOLANT TEMP. SENSOR	1	
40	12245-H9A-300	GUIDAVALVOLA SCARICO	2	
41	12237-H9A-300	GUIDAVALVOLA ASPIRAZIONE	2	

※ Please check the color & stripe information according to the color index !



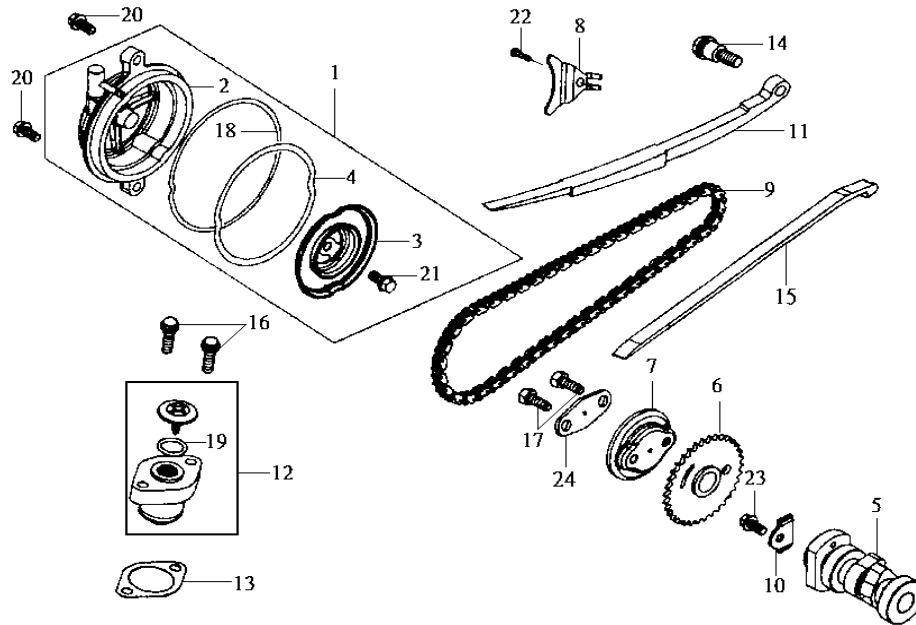
**TEAMWORLD IND. 2007.C**



Pictures reference only

PARTS NUMBER		DESCRIPTION	QTY	EFFECTIVE DATE
1	12100-HLA-010-A	CILINDRO PISTONE FASCE	1	
2	12191-HLK-000	GUARNIZIONE BASE CILINDRO	1	
3	12251-HLK-000	GUARNIZIONE TESTA	1	
5	19502-H9A-000	TUBO ACQUA	1	
6	12100-HLA-010	CILINDRO	1	
7	19502-H9A-000	TUBO ACQUA	1	
8	90704-HLK-000	DOWEL PIN 11X14	4	

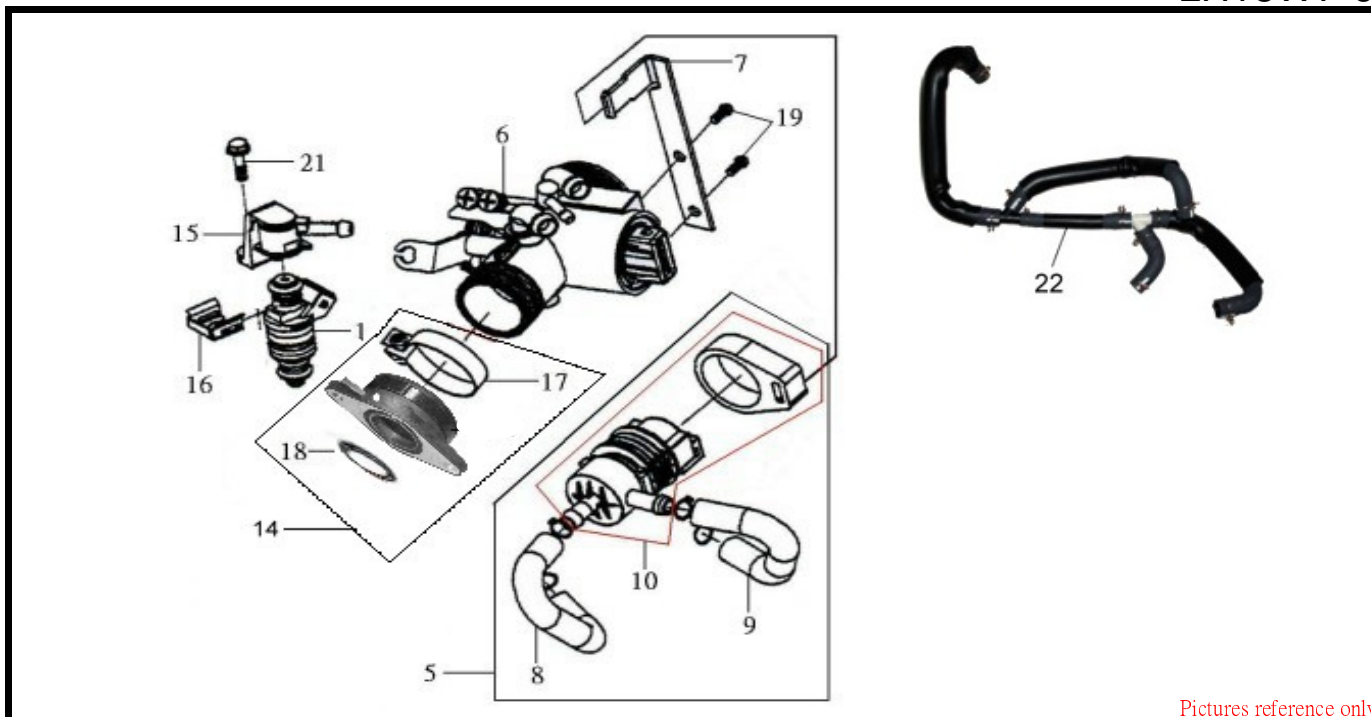
※ Please check the color & stripe information according to the color index !



Pictures reference only

PARTS NUMBER	DESCRIPTION	QTY	EFFECTIVE DATE
1	12300-H9A-000	1	
2	12310-H9A-000	1	
3	12320-M36-000	1	
4	12351-M36-000	1	
5	14100-H9A-000	1	
6	14105-A31-000	1	
7	14108-M36-000	1	
8	14151-H9A-000	1	
9	1C14401-M92-000	1	
10	14457-H9A-000	1	
11	14510-H9A-000	1	
12	14520-M9Q-000	1	
13	14523-M9Q-000	1	
14	14531-KJ9-000	1	
15	14610-KV7-900	1	
16	90001-M9Q-000	2	
17	90083-X01-000	2	
18	91301-B06-000	1	
19	91306-M9Q-000	1	
20	95801-06020-08	2	
21	96001-06010-08	1	
22	96001-06012-08	1	
23	96001-06014-08	1	
24	14105-X01-000	1	

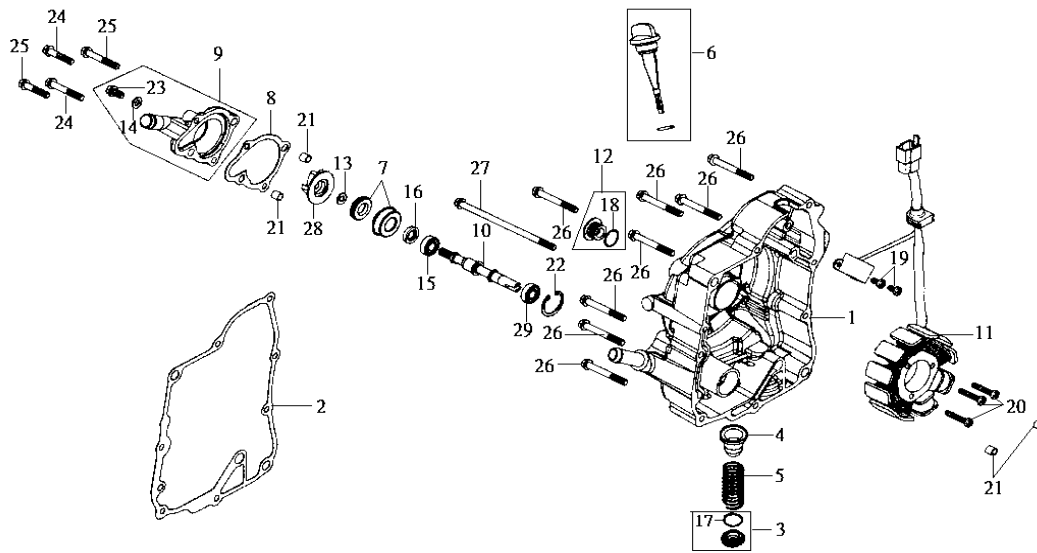
※ Please check the color & stripe information according to the color index !



Pictures reference only

PARTS NUMBER	DESCRIPTION	QTY	EFFECTIVE DATE
1 06414-H5B-000	FUEL INJECTOR	1	
5 16500-H5B-000	VALVOLA BY-PASS COMPLETA	1	
6 16401-HLK-000	CORPO FARFALLATO COMPLETO	1	
7 16403-H5B-000	BY-PASS VALVE STAY	1	
8 16410-H5B-000	BY-PASS VALVE TUBE A ASSY	1	
9 16405-HLK-000	BY-PASS VALVE TUBE B	1	
14 1711A-HLK-000	INLET PIPE ASSY	1	
15 17120-H5B-000	FUEL INJECTOR CUP ASSY	1	
16 17121-H5B-000	FUEL INJECTOR CUP CLIP	1	
17 16219-R02-000	INSULATOR BAND	1	
18 91308-M9Q-000	O-RING 27X2	1	
19 93892-05010-08	WASHER SCREW 5X10	2	
21 96001-06016-00	FLANGE BOLT SH 6X16	1	
22 16420-HGC-000	BODY PASS VALVE TUBE B ASSY	1	

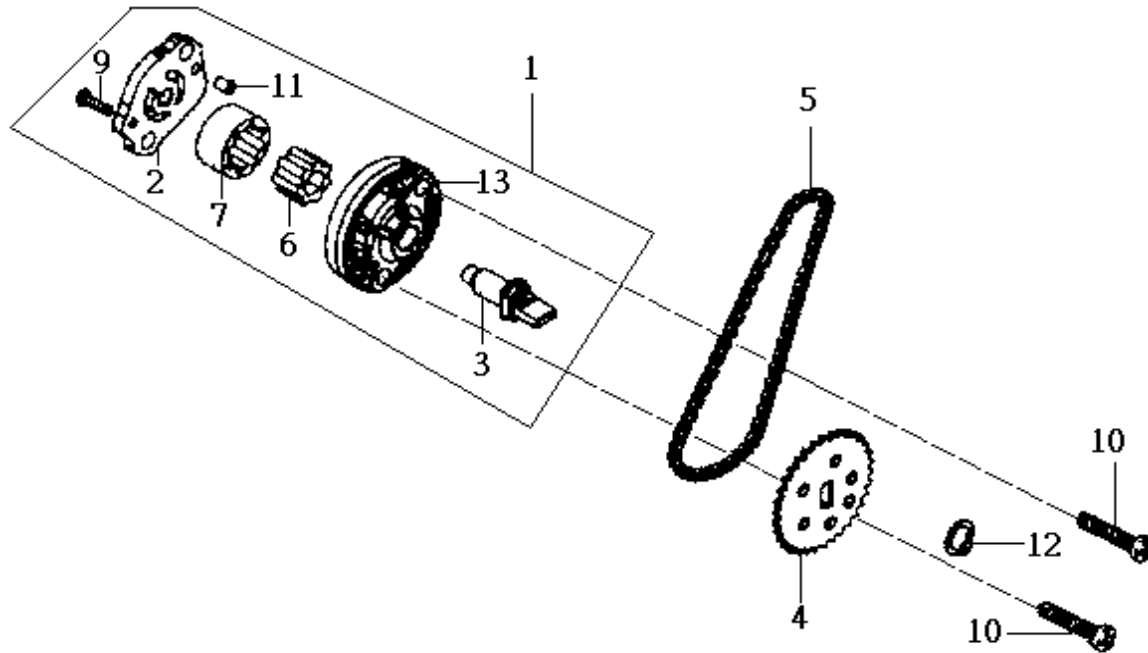
※ Please check the color & stripe information according to the color index !



Pictures reference only

PARTS NUMBER	DESCRIPTION	QTY	EFFECTIVE DATE
1	11330-HHA-000	1	
2	11394-H9A-000	1	
3	1236A-V02-000	1	
4	15421-M9Q-000	1	
5	15426-M9Q-000	1	
6	1565A-HHA-000	1	
7	19217-H9A-300	1	
8	19229-H9A-000	1	
9	1922A-HLA-000	1	
10	19231-KJ9-010	1	
11	31120-HLK-000	1	
12	9008A-H9A-000	1	
13	90423-KJ9-000	1	
14	90478-700-000	1	
15	91001-KJ9-005	1	
16	91205-KF0-003	1	
17	91302-M9Q-000	1	
	91303-M2Q-000	1	
18	<b>91303-377-000</b>	1	
19	93500-05016-0A	1	
20	93500-05035-0A	3	
21	94301-08140	4	
22	94520-26000	1	
23	96001-06010-08	1	
24	96001-06022-08	2	
25	96001-06032-08	2	
26	96001-06050-08	8	
27	96001-06125-08	1	
28	19215-HLA-000	1	
29	96100-60000-00	1	

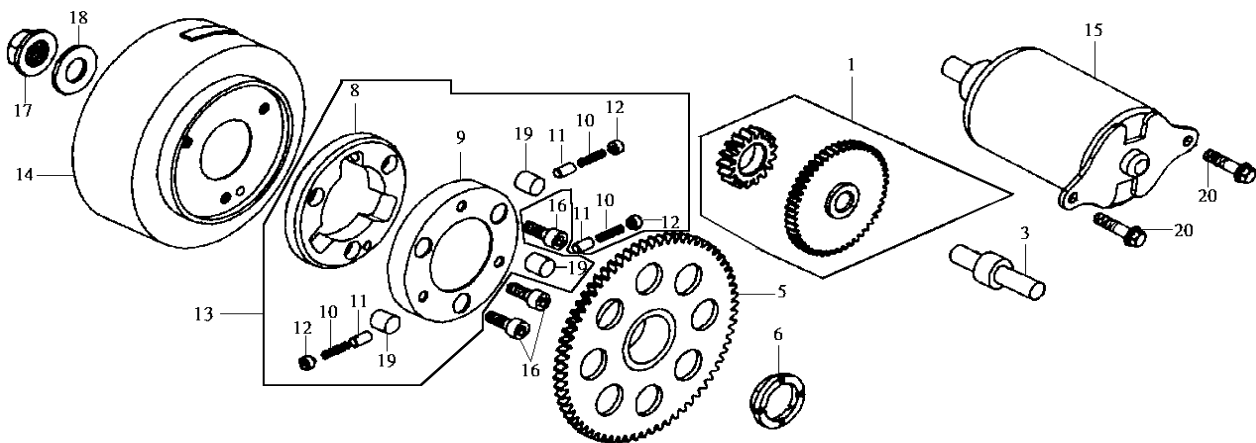




Pictures reference only

PARTS NUMBER	DESCRIPTION	Q T Y	EFFECTIVE DATE
1 15100-H9A-000	POMPA OLIO	1	
2 15116-KJ9-000	COPERCHIO POMPA OLIO	1	
3 15132-H9A-000	ALBERO POMPA OLIO	1	
4 15133-KM1-000	PIGNONE CATENA POMPA OLIO	1	
5 1C15141-KJ9-003-E1	CATENA POMPA OLIO	1	
6 15331-H9A-000	ROTORE INTERNO POMPA OLIO	1	
7 15332-H9A-000	ROTORE ESTERNO POMPA OLIO	1	
9 93500-03012-1A	VITE 3X12	1	
10 93500-06030-0H	VITE 6X30	2	
11 94303-04065	DOWEL PIN 4X6.5	1	
12 94510-10000	ANELLO SEEGER 10MM	1	
13 15101-H9A-000	CORPO POMPA OLIO	1	

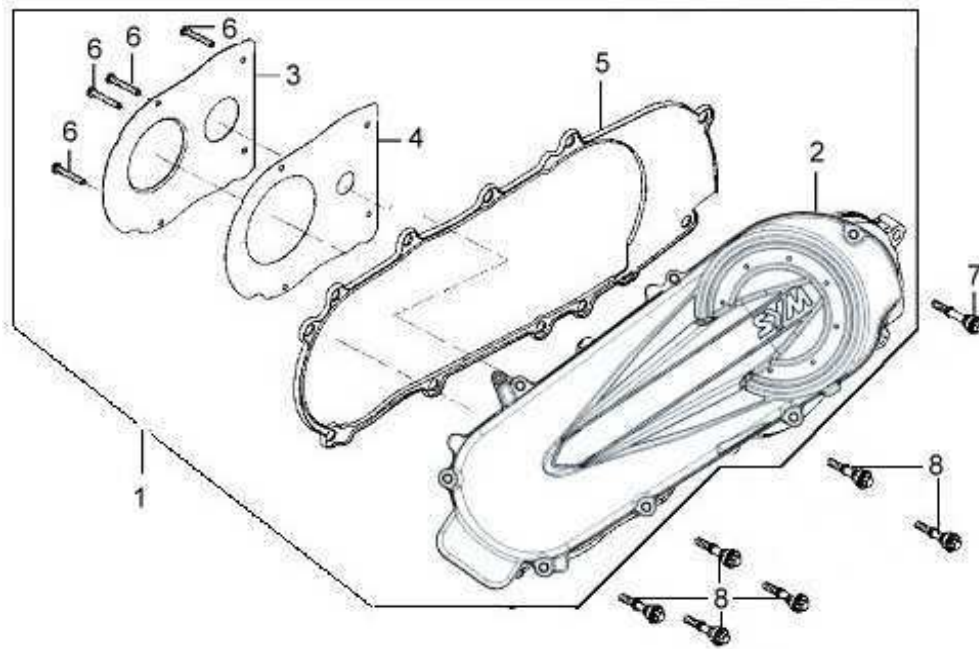
※ Please check the color & stripe information according to the color index !



Pictures reference only

PARTS NUMBER	DESCRIPTION	QTY	EFFECTIVE DATE
1 28100-H9A-000	INGRANAGGIO RIDUZIONE MOTORINO AVVI	1	
3 28102-H9A-000	PERNO INGRANAGGIO	1	
5 28110-H9A-000	INGRANAGGIO RUOTA LIBERA	1	
6 28115-H9A-000	BOCCOLA	1	
8 28121-M4Q-300	FLANGIA RUOTA LIBERA	1	
9 28122-M4Q-300	COPERCHIO RUOTA LIBERA	1	
10 28125-426-000	MOLLA	1	
11 28126-323-000	SCODELLINO PORTAMOLLA	1	
12 28129-M9Q-300	SCODELLINO PORTAMOLLA	1	
13 2812A-V01-000	RUTOA LIBERA COMPLETA	1	
14 31110-HLK-000	VOLANO	1	
15 31200-HLA-000	MOTORINO AVVIAMENTO	1	
16 90004-M9Q-000	SPECIAL BOLT 6*12	3	
17 90201-KR8-751-M1	DADO FLANGIATO 14MM	1	
18 90401-KJ9-000	RONDELLA RASAMENTO 14X28X2	1	
19 91101-X06-000	RULLI 10.2X11.3	3	
20 96001-06022-08	FLANGE BOLT SH 6X22	2	

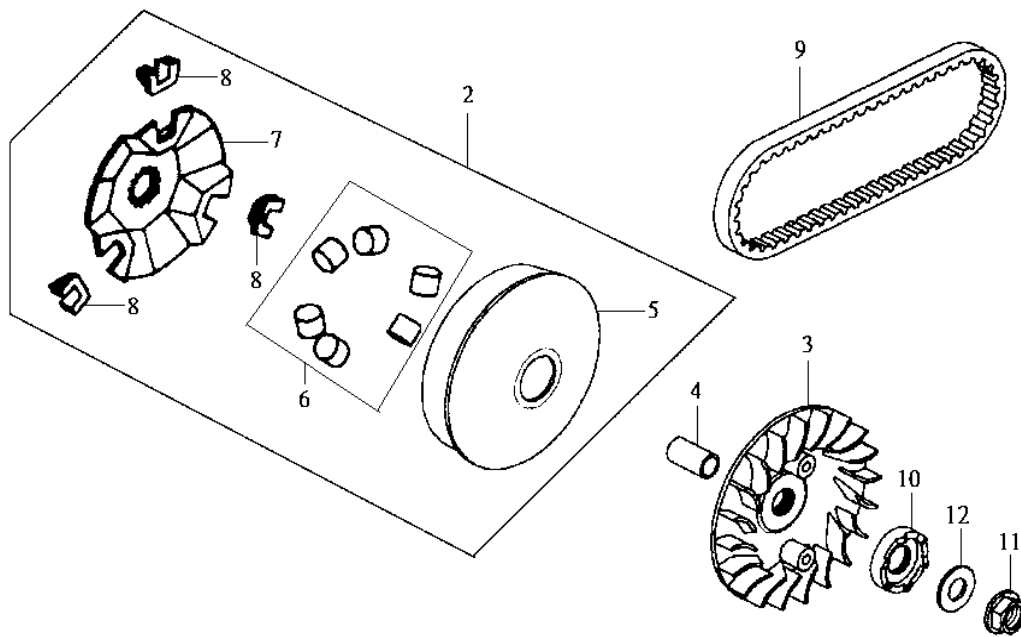
※ Please check the color & stripe information according to the color index !



Pictures reference only

PARTS NUMBER	DESCRIPTION	QTY	EFFECTIVE DATE
1 11340-HHA-010	COPERCHIO FRIZIONE COMPLETO	1	
2 11341-HHA-010	COPERCHIO FRIZIONE	1	
3 11346-HHA-000	L. COVER PLATE A	1	
4 11349-HHA-000	GUARNIZIONE DEFLETTORE ARIA	1	
5 11395-HHA-000	GUARNIZIONE COPERCHIO FRIZIONE	1	
6 93903-25380	VITE AUTOFILETTANTE 5X16	4	
7 96001-06035-07	VITE FLANGIATA 6X35	1	
8 96001-06040-07	VITE FLANGIATA 6X40	6	

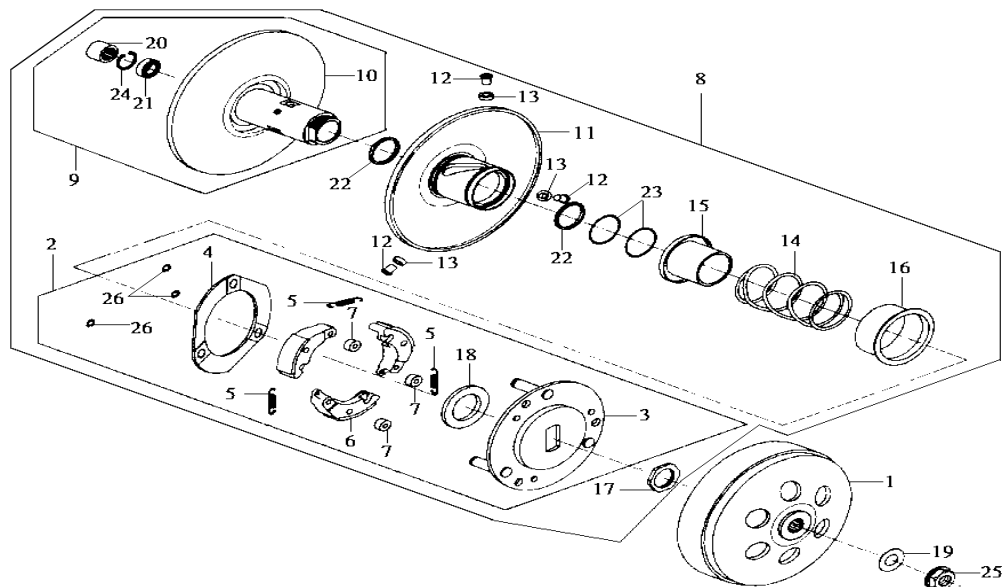
※ Please check the color & stripe information according to the color index !



Pictures reference only

PARTS NUMBER	DESCRIPTION	Q T Y	EFFECTIVE DATE
2 22000-HHA-000	VARIATORE COMPLETO	1	
3 22102-RA1-000	PULEGGIA PRIMARIA FISSA	1	
4 22105-H9A-000	BOCCOLA PULEGG. PRIMARIA	1	
5 22110-RA1-010	MOVABLE DRIVE FACE COMP	1	
6 22121-HHA-000-A	SERIE RULLI VARIATORE HD 200	1	
7 22131-H9A-000	RAMPA RULLI PORTA TASSELLI	1	
8 22132-HLA-000-A	SERIE TASSELLI (3 pz)	1	
9 1B01HHA01	CINGHIA TRAPEZOIDALE 929.7X18.7X28	1	
10 28231-H01-000	SCODELLINO MESSA IN MOTO	1	
11 90201-KR8-751-M1	DADO FLANGIATO 14MM	1	
12 90401-KJ9-000	RONDELLA RASAMENTO 14X28X2	1	

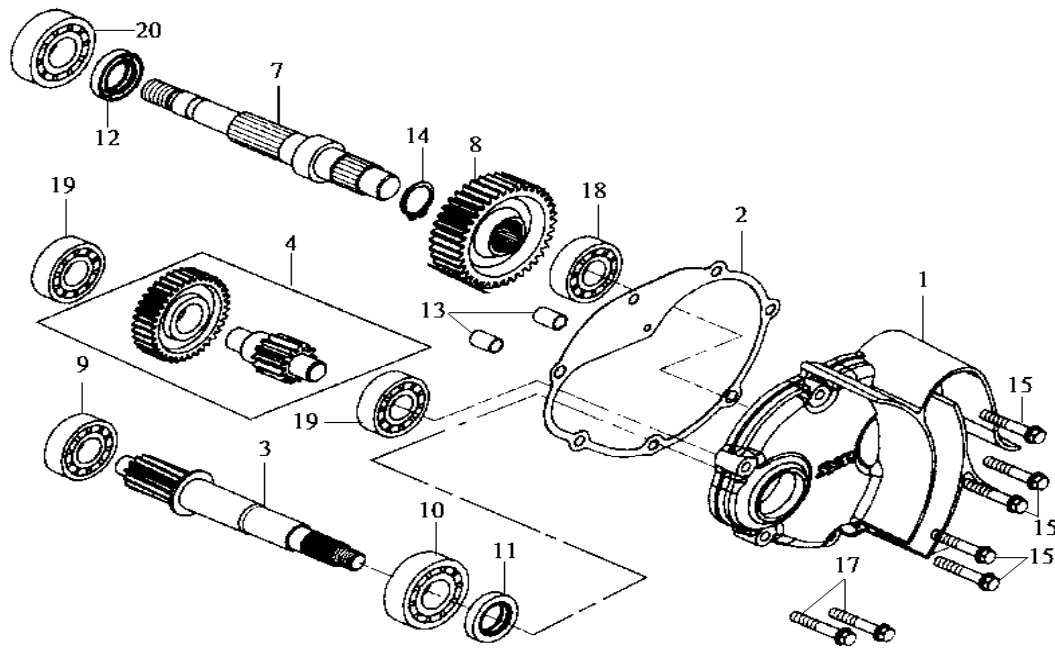
※ Please check the color & stripe information according to the color index !



Pictures reference only

PARTS NUMBER		DESCRIPTION	QTY	EFFECTIVE DATE
1	22101-KV7-900	CAMPANA FRIZIONE	1	
2	22300-H93-000	FRIZIONE CENTRIFUGA	1	
3	22350-M4Q-000	PIATTELLO FRIZIONE CENTRIFUGA	1	
4	22361-M9Q-000	FLANGIA FRIZIONE CENTRIFUGA	1	
5	22401-X06-000	MOLLA MASSETTA FRIZIONE	1	
6	22530-H93-000-A	MASSETTE FRIZIONE (SET)	1	
7	22804-M9Q-000	GOMMINO PARASTRAPPI	1	
8	23010-H93-000	PULEGGIA SECONDARIA COMPLETA	1	
9	23200-M4Q-000	PULEGGIA SECONDARIA FISSA COMPLETA	1	
10	23210-M4Q-000	PULEGGIA SECONDARIA FISSA	1	
11	23220-H9A-000	PULEGGIA SECONDARIA MOBILE	1	
12	23225-M9Q-000	PERNO RULLINO GUIDA VARIATORE	1	
13	23226-M9Q-000	RULLINO GUIDA VARIATORE	1	
14	23233-KN7-670	MOLLA CONTRASTO VARIATORE	1	
15	23237-KG8-900	N/A SOST.DA : 23237KG8000	1	
15	<b>23237-KG8-000</b>	SCODELLINO PORTAMOLLA	1	Y
16	23238-M9Q-000	SCODELLINO PORTAMOLLA ESTERNO	1	
17	90202-M9Q-000	DADO SPECIALE 28MM	1	
18	90403-KN7-670	RONDELLA RASAMENTO 28X44X1.5	1	
19	90441-KV7-900	RONDELLA 12.2X29X2.5	1	
20	91001-H6T-300	N/A SOST.DA :91001GY6900M1	1	
20	<b>91001-GY6-900-M1</b>	CUSCINETTO A RULLI 20X29X18	1	Y
21	91002-H6B-300	BALL BEARING 6902LUC3/4E	1	
22	91211-M8Q-000	PARAOILIO 34x41x4	2	
23	91384-M9Q-000	O-RING 38.8X1.9	2	
24	94520-28000	ANELLO SEEGER 28MM	1	
25	90201-PB8-000	DADO FLANGIATO M12	1	
26	94540-07010	N/A SOST.DA :90605166720	3	
26	<b>90605-166-720</b>	ANELLO SEEGER 7MM	3	Y

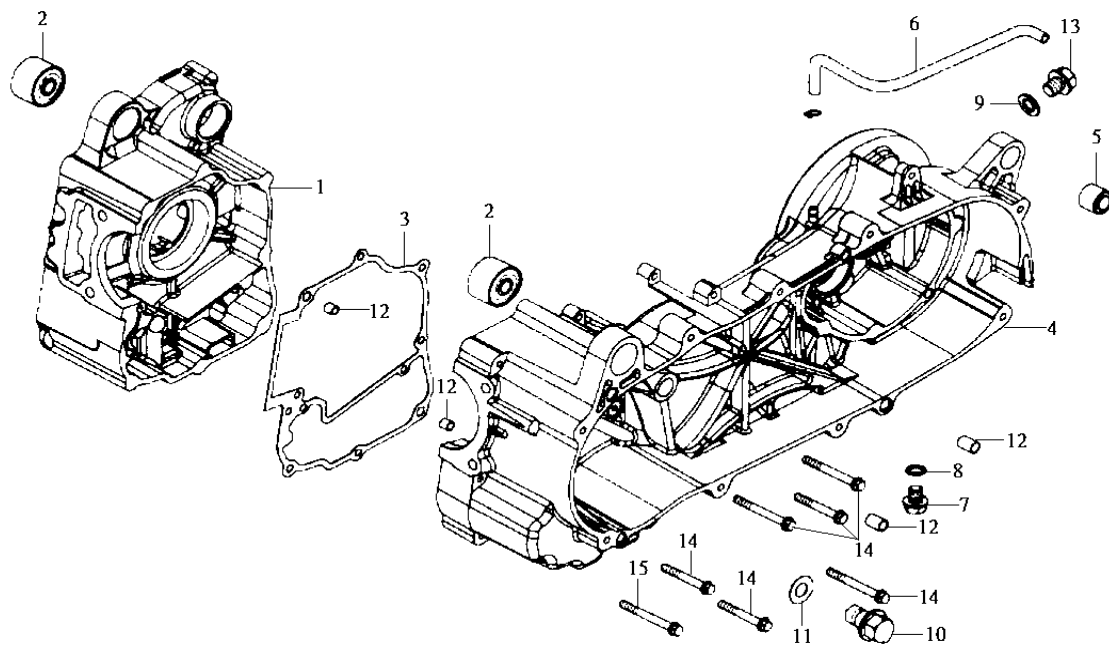
※ Please check the color & stripe information according to the color index !



Pictures reference only

PARTS NUMBER		DESCRIPTION	QTY	EFFECTIVE DATE
1	21200-HHA-010	COPERCHIO INGR.TRASMISSIONE	1	
2	21395-HHA-000	MISSION COVER GASKET	1	
3	23411-HHA-000	DRIVE SHAFT	1	
4	23420-HHA-010	CONTRALBERO	1	
7	23431-HHA-010	ALBERO USCITA RUOTA	1	
8	23432-HHA-010	FINAL GEAR	1	
9	91003-M8Q-000	RADIAL BALL BRG.CSB301JR2	1	
10	91104-KN7-670	RADIAL BALL BRG CSB204JR2	1	
11	91202-M9Q-300	N/A SOST.DA : 91202KJ9003	1	
11	<b>91202-KJ9-003</b>	PARAOLIO 20x32x6	1	
12	<b>91201-HHA-300</b>	<b>PARAOLIO 32x47x7</b>	<b>1</b>	
13	94301-08140	GRANO RIFERIMENTO 8X14	2	
14	94510-10000	ANELLO SEEGER 10MM	1	
15	96001-06030-08	FLANGE SH BOLT 6X30	5	
17	96001-06035-08	VITE FLANGIATA 6X35	2	
18	96100-62033-10	RAD.BRG.BALL	1	
19	96100-63013-00	CUSCINETTO A SFERE 6301T C3	2	
20	96150-60043-10	CUSCINETTO A SFERE 6004LLU	1	

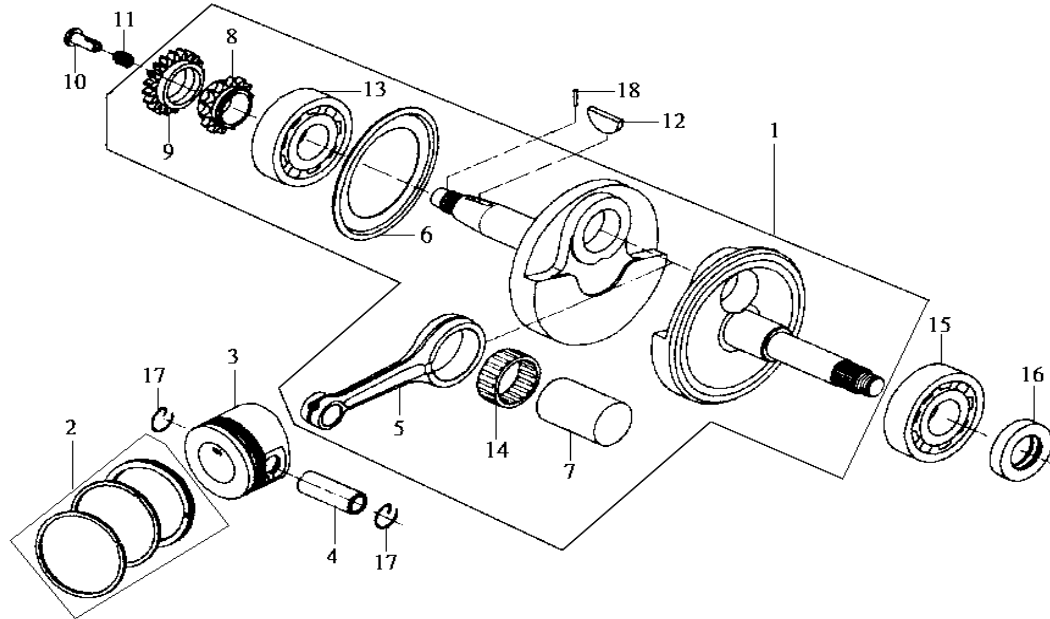
※ Please check the color & stripe information according to the color index !



Pictures reference only

PARTS NUMBER		DESCRIPTION	QTY	EFFECTIVE DATE	
1	11100-HHA-000	CARTER MOTORE LA MOTORE LATO VOLANO	1		
2	11102-H9A-300	SILENT BLOCK MOTORE SILENT BLOCK MOTORE	2		
3	11191-H9A-000	GUARN.CENTR.SEMICARTRN.CENTR.SEMICARTER	1		
4	11200-HHA-010	L. CRANK CASE COM L. CRANK CASE COMP	1		
5	11203-M9Q-300	N/A SOST.DA :11203GC730 SOST.DA :11203GC7300	1		
5	<b>11203-GC7-300</b>	SILENT BLOCK AMMLOCK AMMORTIZZATORE	1		Y
6	11221-HHM-000	MISSION BREATHER MISSION BREATHER TUBE	1		
7	90103-M9Q-000	N/A SOST.DA : 90103KN80 SOST.DA : 90103KN8000	1		
7	<b>90103-KN8-000</b>	VITE SPECIALE 8MM VITE SPECIALE 8MM	1		Y
8	90474-M9Q-000	WASHER 8X17 WASHER 8X17	1		
9	90481-M9Q-000	PLAIN WASHER 10.2M PLAIN WASHER 10.2MM	1		
10	92800-12000	DRAIN PLUG BOLT 12 DRAIN PLUG BOLT 12MM	1		
11	94109-12000	DRAIN PLUG WASHER 12MM DRAIN PLUG WASHER 12MM	1		
12	94301-08140	GRANO RIFERIMENTO 8X14 GRANO RIFERIMENTO 8X14	4		
13	95701-10012-08	FLANGE BOLT 10X12 FLANGE BOLT 10X12	1		
14	96001-06050-08	FLANGE BOLT SH 6X50 FLANGE BOLT SH 6X50	6		
15	96001-06055-08	VITE FLANGIATA 6X55 VITE FLANGIATA 6X55	1		

※ Please check the color & stripe information according to the color index !



Pictures reference only

PARTS NUMBER	DESCRIPTION	QTY	EFFECTIVE DATE
1	13000-HHA-000	1	
2	13010-HLA-000	1	
3	13101-HLK-000	1	
4	13111-M4Q-000	1	
5	13201-HLA-000	1	
6	13371-H9A-300	1	
7	<b>13381-KN7-900</b>	1	
8	14311-H9A-300	1	
9	15134-KN7-670	1	
10	15441-149-000	1	
11	15447-149-000	1	
12	90701-HB6-010	1	
13	91001-H9A-000	1	
14	91101-HLA-000	1	
15	91002-H9A-000	1	
16	91261-415-003	1	
17	94601-15000	2	
18	96220-20118	1	

※ Please check the color & stripe information according to the color index !