

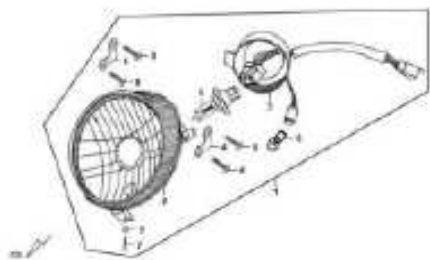
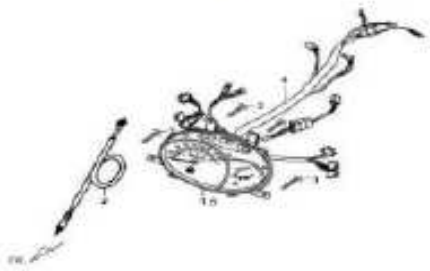
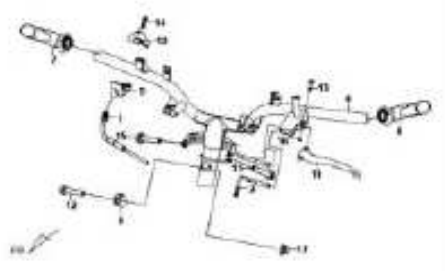
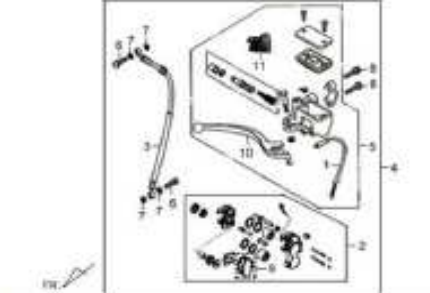
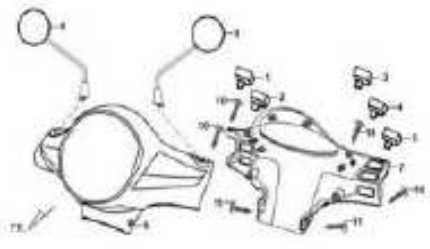
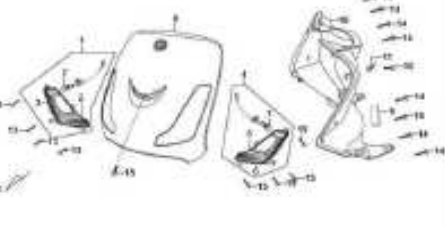
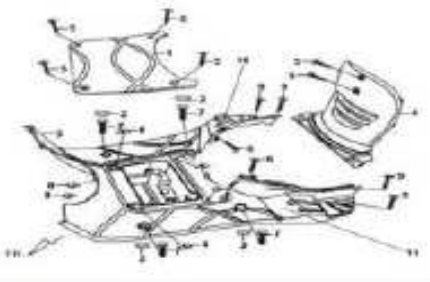
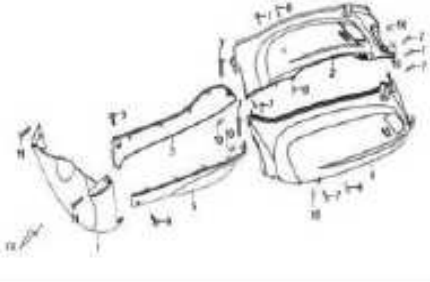
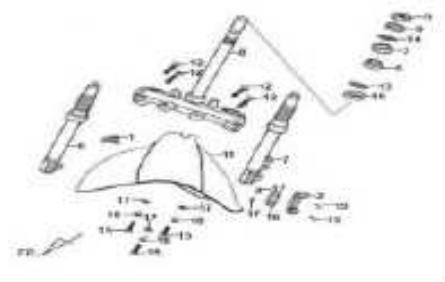
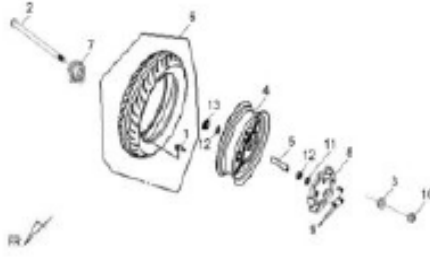
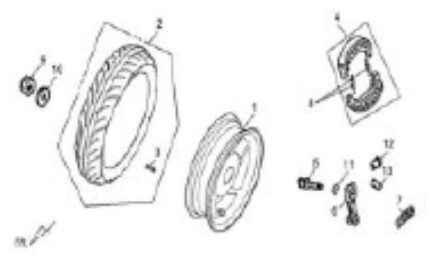
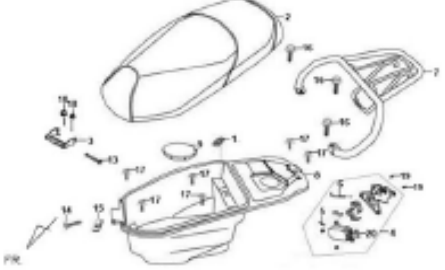
INDICE COLORI FIDDLE II 150 (AX15W1-T)



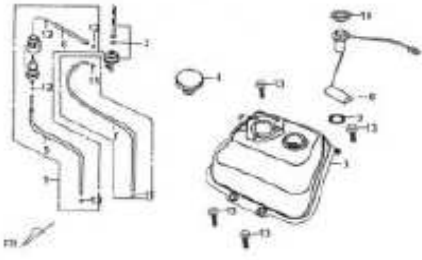
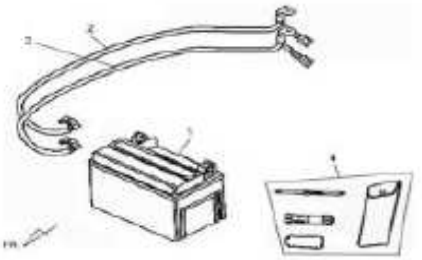
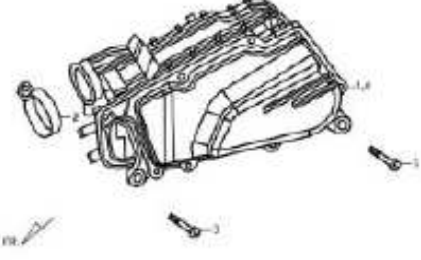
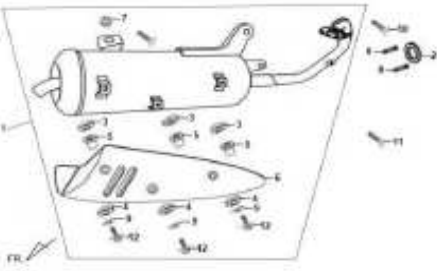
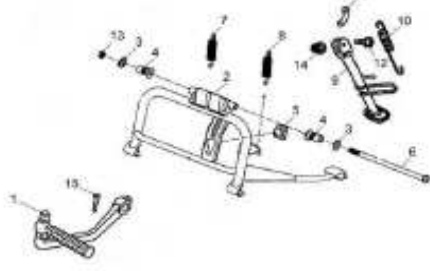
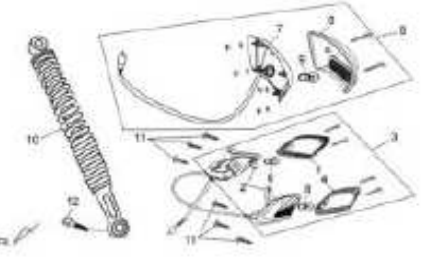
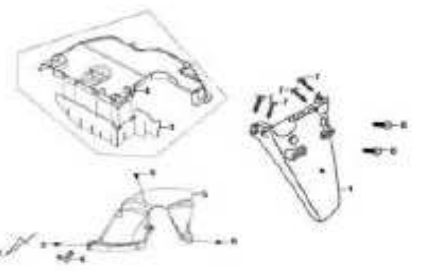
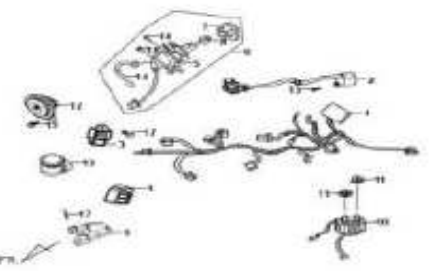

N O	MODEL		NERO		ROS SO		ARGENTO		BIANCO	
	BASIC COLOR		KG		RD		SB		WD	
	CODE		BK5560		RD 10CA		S880S		WH8018P	
Item	Parts Number	Description	Basic Color	Code	Basic Color	Code	Basic Color	Code	Basic Color	Code
1	42601-ABA-000	RR. WHEEL CAST		BT		BT		BT		BT
2	44601-AAA-000	FR. WHEEL CAST		BT		BT		BT		BT
3	50612-ALA-000	CAP A FLR STEP		BK		BK		BK		BK
4	52400-ABA-010	RR. CUSHION ASSY		SB		SB		SB		SB
5	53205-ALA-000	FR. HANDLE COVER	BK5560	K	RD 10CA	RD	S880S	SB	WH8018P	WD
6	53206-ALA-000	RR. HANDLE COVER		BK		BK		BK		BK
7	61100-ALA-000	FR. FENDER COMP	BK5560	K	RD 10CA	RD	S880S	SB	WH8018P	WD
8	64300-ALA-000	FR. UND SPOILER	BK5560	K	RD 10CA	RD	S880S	SB	WH8018P	WD
9	64301-ALA-000	FR. COVER	BK5560	K	RD 10CA	RD	S880S	SB	WH8018P	WD
9-1	87170-AKA-A00	SYM STRIPE		T1		T1		T2		T2
9-2	87123-H85-000	S-LOGO		●		●		●		●
10	64310-AKA-000	FLOOR PANEL		BK		BK		BK		BK
11	64311-AKA-A00	FLOOR PANEL A (R)		BK		BK		BK		BK
12	64312-AKA-A00	FLOOR PANEL B (L)		BK		BK		BK		BK
13	64318-ALA-000	FRAME NUMBER LID		BK		BK		BK		BK
14	77200-X1A-000	DOUBLE SEAT		QM		QM		QM		QM
15	80151-X1A-000	CENTER COVER		BK		BK		BK		BK
16	81131-ALA-000	INNER COVER A		BK		BK		BK		BK
17	83500-X1A-000	RH. BODY COVER	BK5560	KG	RD 10CA	RD	S880S	SB	WH8018P	WD
17-1	87127-ALA-010	R. BODY COVER STRIPE		●		●		●		●
17-2	87130-X2A-000	BODY COVER STRIPE		●		●		●		●
18	83520-ALA-A00	R. SIDE COVER	BK5560	K	RD 10CA	RD	S880S	SB	WH8018P	WD
19	83600-X1A-000	LH. BODY COVER	BK5560	KG	RD 10CA	RD	S880S	SB	WH8018P	WD
19-1	87128-ALA-010	L. BODY COVER STRIPE		●		●		●		●
19-2	87130-X2A-000	BODY COVER STRIPE		●		●		●		●
20	83620-ALA-A00	L. SIDE COVER	BK5560	K	RD 10CA	RD	S880S	SB	WH8018P	WD
21	42601-ABA-000	RR. WHEEL CAST		K		K		K		K
22	44601-AAA-000	FR. WHEEL CAST.		K		K		K		K

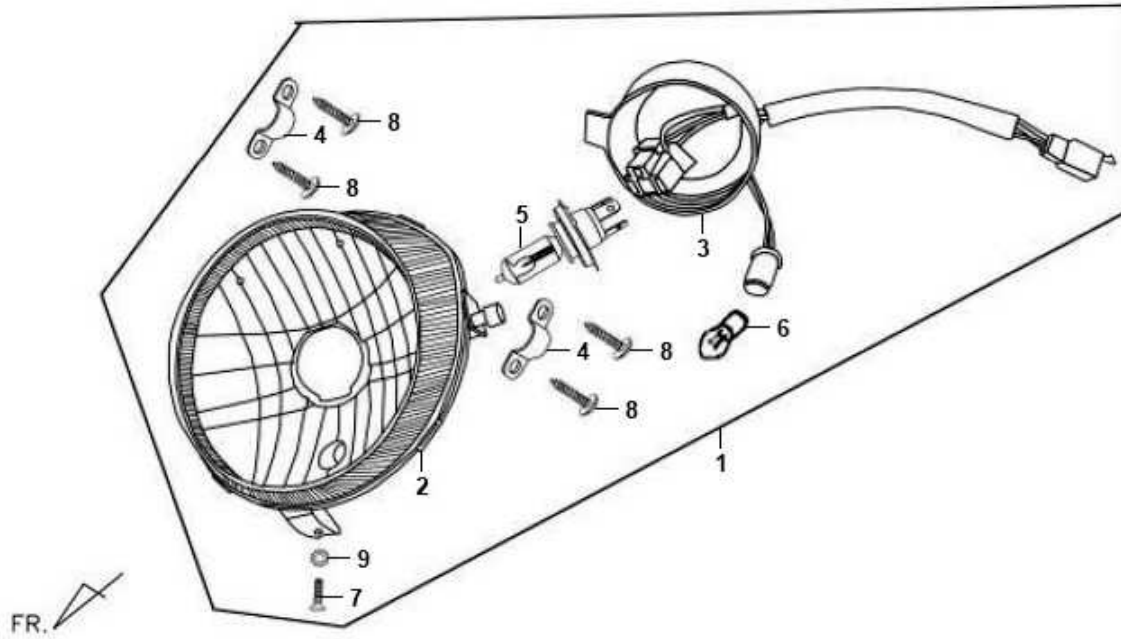


CONTENTS—FRAME GROUP

F01 HEAD LIGHT ASSY	F02 SPEEDOMETER ASSY	F03 STRG. HANDLE COMP
		
F04 FR BRAKE ASSY	F05 FR. HANDLE COVER	F06 FR. COVER ASSY
		
F07 FLOOR PANEL ASSY	F08 BODY COVER ASSY	F09 FR. FORK SET
		
F10 FR. WHEEL ASSY	F11 RR. WHEEL ASSY	F12 LUGGAGE BOX ASSY
		

CONTENTS—FRAME GROUP

F13 FUEL TANK ASSY 	F14 BATTERY ASS'Y 	F15 AIR CLEANER ASSY. 
F16 EXH. MUFFLER ASSY. 	F17 MAIN STAND ASSY 	F18 TAIL LIGHT ASSY 
F19 RR. FENDER 	F20 WIRE HARNESS 	F21 FRAME BODY COMP 



Pictures reference only

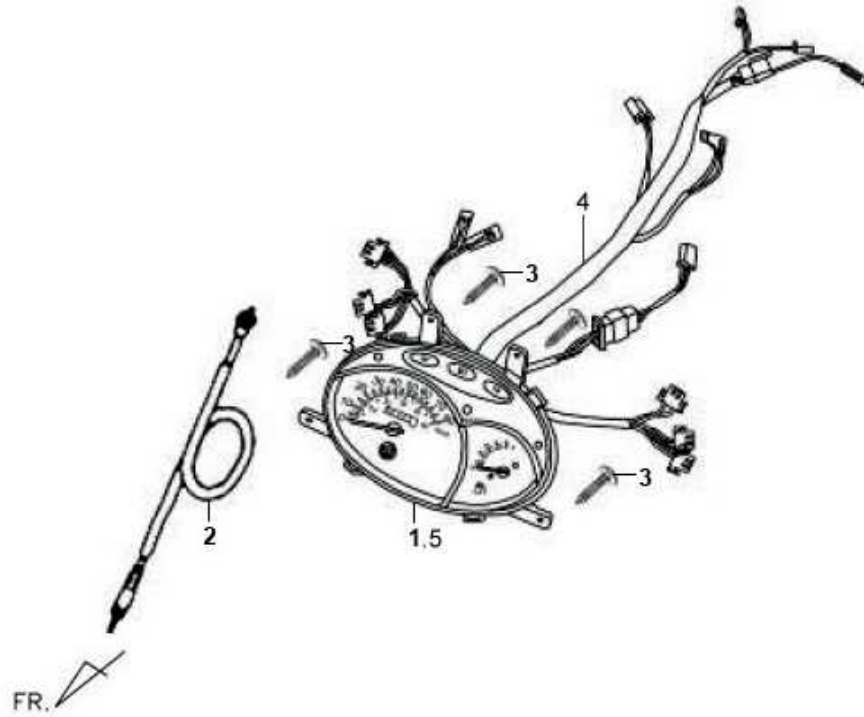
PARTS NUMBER		DESCRIPTION	QTY	EFFECTIVE DATE
1	33100-ALA-000	FANALE ANTERIORE	1	
2	33101-ALA-000	LENTE FANALE ANTERIORE	1	
3	33103-ALA-000	HEAD LIGHT BASE	1	
4	33107-A7A-000	STAFFA FARO ANT.	2	
5	34901-X06-000	BULB HEAD LIGHT BULB	1	
6	34908-M9Q-100	LAMPADINA 12V 5W	1	
7	90101-KAA-000	ADJUST BOLT4*14	1	
8	90109-42128	TAPPING SCREW M4.2x12	4	
9	90307-M9Q-000	LOCK WASHER 6MM	1	

※ Please check the color & stripe information according to the color index !




TEAMWORLD IND. 2009.07

※N/A = SUBSTITUTE

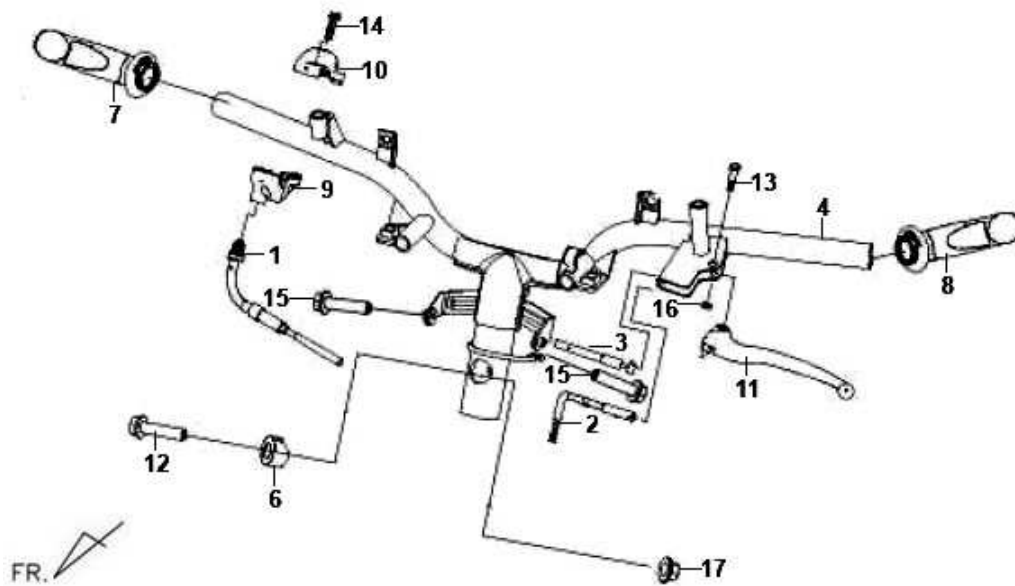


ures reference only

PARTS NUMBER		DESCRIPTION	QTY	EFFECTIVE DATE	
1	37200-ALA-000	CRUSCOTTO STRUMENTI COMPLETO	1		
1	37200-X1A-000	CRUSCOTTO STRUMENTI COMPLETO	1	2010/2/23	N
2	44830-ABA-000	TRASMISSIONE TACHIMETRO	1		
3	90109-48168	TAPPING SCREW M4.8x16	4		
4	37224-ALA-000	CABLAGGIO STRUMENTO	1		
5	37204-ALA-000	VETRO CRUSCOTTO	1		


※ Please check the color & stripe information according to the color index !  TEAMWORLD IND. 2009.07

※N/A = SUBSTITUTE

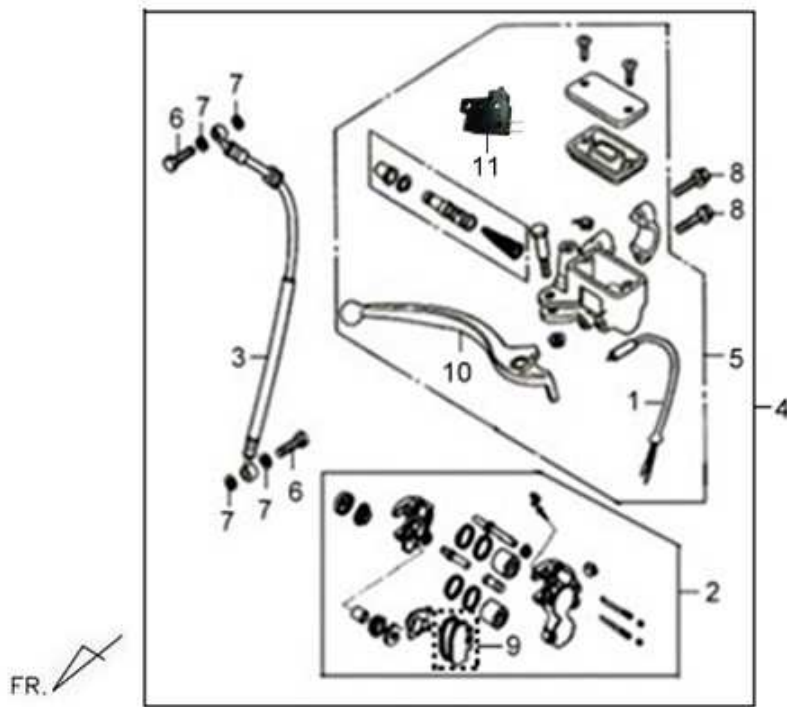


Pictures reference only

PARTS NUMBER	DESCRIPTION	QTY	EFFECTIVE DATE
1 17910-ABA-000	TRASMISSIONE GAS	1	
2 35340-ABA-000	INTERRUTTORE STOP (CAVO)	1	
3 43450-ANA-000	TRASMISSIONE FRENO POSTERIORE	1	
4 53100-ALA-000	MANUBRIO	1	
6 53215-M9Q-000	RONDELLA	1	
7 53140-S1F-A00	COMANDO GAS NERO	1	
8 53166-S1F-A00	MANOPOLA SX NERO	1	
9 53167-H09-A00	GUSCIO INFERIORE COMANDO GAS	1	
10 53168-H09-A00	GUSCIO SUPERIORE COMANDO GAS	1	
11 5317A-GAK-V00	LEVA FRENO ANT.SX cromata	1	
12 90106-TAA-000	FLANGE BOLT 10X50	1	
13 90115-M9Q-000	BOLT	1	
14 93500-05025-08	PAN SECREW 5X25	1	
15 90118-HAA-000	WASHER BOLT 5X14	2	
16 94001-05070-0S	DADO 5MM	1	
17 90304-M9Q-000	DADO AUTOBLOCCANTE 10MM	1	

※ Please check the color & stripe information according to the color index !  TEAMWORLD IND. 2009.07

※N/A = SUBSTITUTE



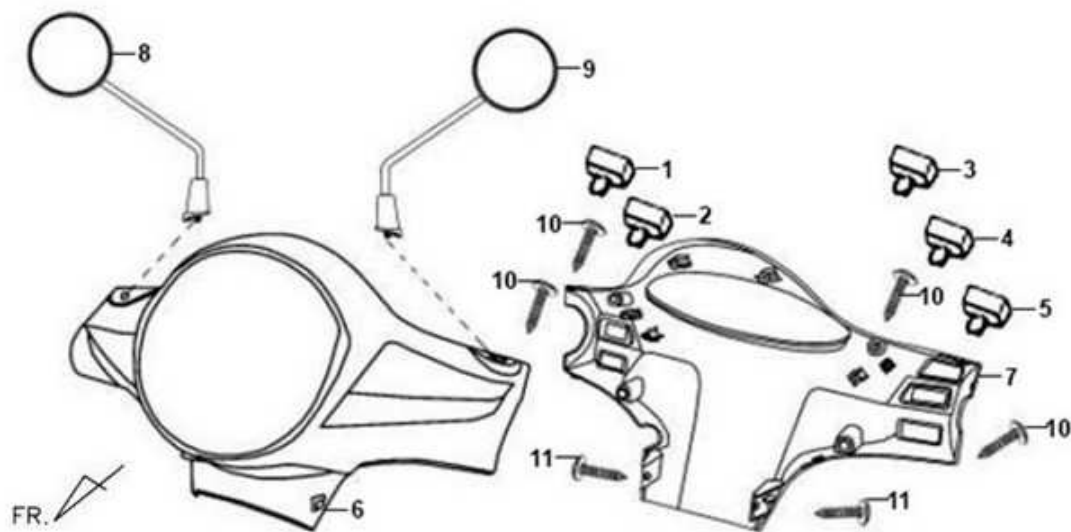
Pictures reference only

PARTS NUMBER	DESCRIPTION	QTY	EFFECTIVE DATE
1 35342-M9Q-000	INTERRUTTORE STOP (CAVO)	1	
2 45100-T6R-900-S	PINZA FRENO ANTERIORE	1	
2-1 MA0009-0205	PERNO PASTIGLIE	1	
3 45126-ALA-000	TUBO OLIO FRENO ANTERIORE	1	
4 4550A-ALA-000	IMPIANTO FRENO ANTERIORE	1	
5 45500-AAA-000	POMPA FRENO COMPLETA	1	
6 90145-M9Q-000	VITE 10X22 RACCORDO TUBO OLIO	2	
7 90545-M9Q-000	RONDELLA TUBO OLIO	4	
8 95801-06022-07	FLANGE BOLT 6X22	2	
9 45105-G22-900-A	COPPIA PASTIGLIE FRENO	1	
10 53175-AAA-000	LEVA FRENO ANT.DX CROMATA	1	
11 35340-DE34-A00	INTERRUTTORE STOP (SWITCH)	1	

※ Please check the color & stripe information according to the color index !


 TEAMWORLD IND. 2009.07

※N/A = SUBSTITUTE

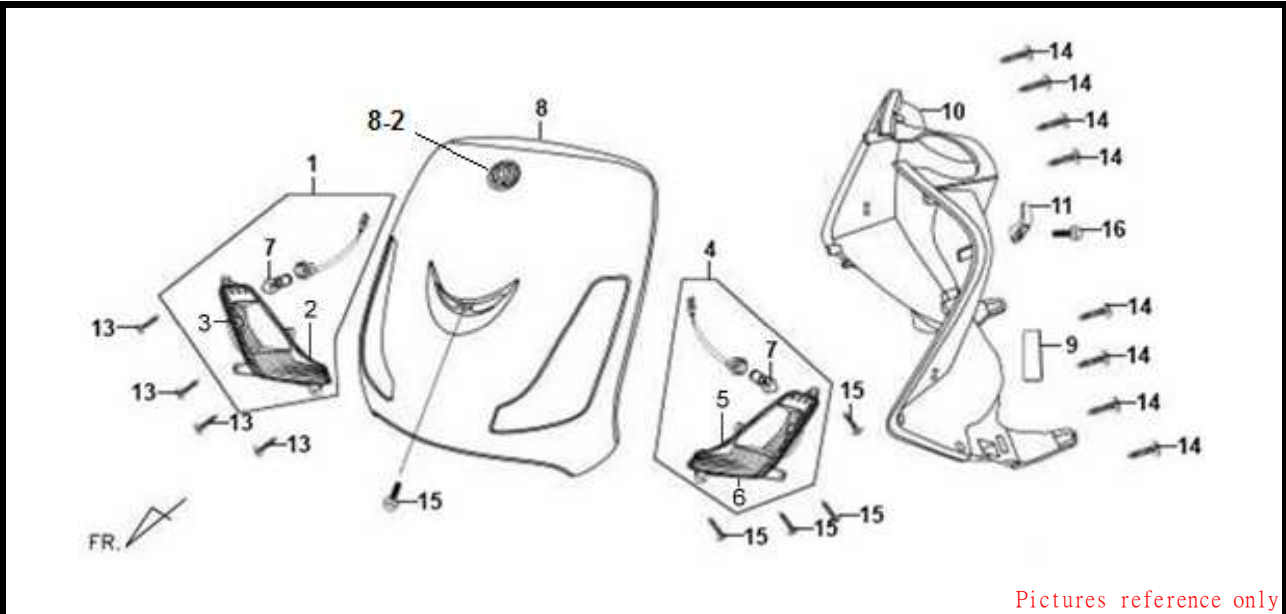


Pictures reference only

PARTS NUMBER		DESCRIPTION	QTY	EFFECTIVE DATE
1	35150-M9Q-000	INTERRUTTORE LUCI	1	
2	35160-M9Q-000	PULSANTE AVVIAMENTO	1	
3	35170-A45-A00	DIMMER & PASSING SW. UNIT	1	
4	35180-M9Q-000	PULSANTE CLAXON	1	
5	35200-M9Q-000	COMMUTATORE LAMPEGGIATORI	1	
6	53205-ALA-000-K	COPRIMANUBRIO ANT. NERO BK-001P	1	
6	53205-ALA-000-RD	COPRIMANUBRIO ANT. ROSSO R010CA	1	
6	53205-ALA-000-SB	COPRIMANUBRIO ANT. ARGENTO S-421S	1	
6	53205-ALA-000-WD	COPRIMANUBRIO ANT. BIANCO WH-8081P	1	
7	53206-ALA-000-BK	COPRIMANUBRIO POSTERIORE	1	
8	88110-ALA-000	SPECCHIO DX	1	
9	88120-ALA-000	SPECCHIO SX	1	
10	90109-42128	TAPPING SCREW M4.2x12	4	
11	90118-HAA-000	WASHER BOLT 5X14	2	


※ Please check the color & stripe information according to the color index !  TEAMWORLD IND. 2009.07

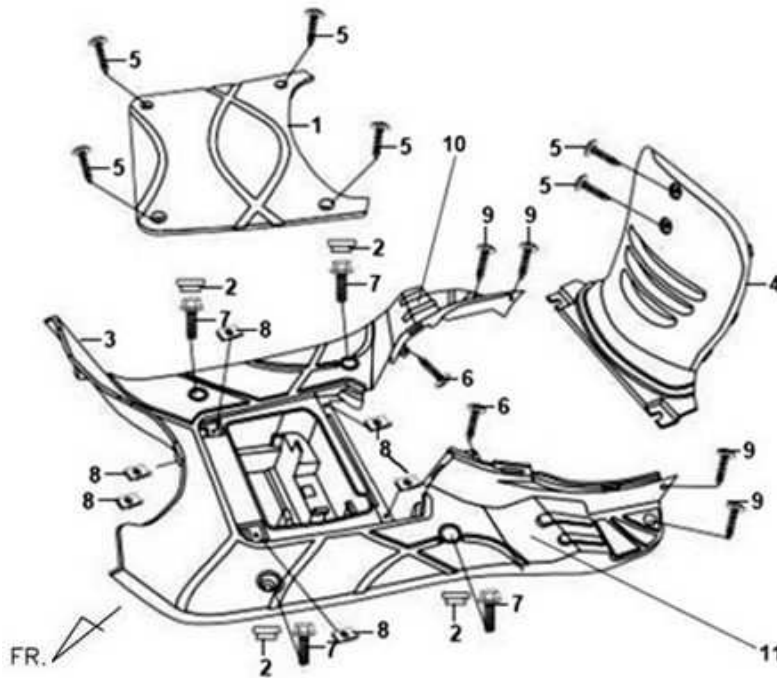
※N/A = SUBSTITUTE



Pictures reference only


PARTS NUMBER		DESCRIPTION	QTY	EFFECTIVE DATE
1	33400-ALA-000	LAMPEGGIATORE DX ANT.	1	
2	33401-ALA-000	BASE LAMPEGGIATORE DX ANT.	1	
3	33402-ALA-000	LENTE LAMPEGGIATORE DX ANT.	1	
4	33450-ALA-000	LAMPEGGIATORE SX ANT.	1	
5	33451-ALA-000	BASE LAMPEGGIATORE SX ANT.	1	
6	33452-ALA-000	LENTE LAMPEGGIATORE SX ANT.	1	
7	34905-A8D-000	LAMPADINA LAMPEG. 12V-10W	2	
8	64301-ALA-000-K	SCUDO NERO BK-001P	1	
8-1	87170-AKA-A00-T1	SYM STRIPE BIANCO	1	
8-2	87123-H85-000	LOGO SYM TONDO diam.40mm, adesivo in rilievo	1	
8	64301-ALA-000-RD	SCUDO ROSSO R-010CA	1	
8-1	87170-AKA-A00-T1	SYM STRIPE BIANCO	1	
8-2	87123-H85-000	LOGO SYM TONDO diam.40mm, adesivo in rilievo	1	
8	64301-ALA-000-SB	SCUDO ANT. ARGENTO S-421S	1	
8-1	87170-AKA-A00-T2	SYM STRIPE NERO	1	
8-2	87123-H85-000	LOGO SYM TONDO diam.40mm, adesivo in rilievo	1	
8	64301-ALA-000-WD	SCUDO ANT. BIANCO WH-8018P	1	
8-1	87170-AKA-A00-T2	SYM STRIPE NERO	1	
8-2	87123-H85-000	LOGO SYM TONDO diam.40mm, adesivo in rilievo	1	
9	64318-ALA-000-BK	FRAME NUMBER LID	1	
10	81131-ALA-000-BK	SCUDO INTERNO (NERO)	1	
11	81132-M7Q-000	GANCIO PORTABORSA	1	
13	90109-48128	TAPPING SCREW M4.8x12	8	
14	90109-48168	TAPPING SCREW M4.8x16	8	
15	90118-HAA-000	WASHER BOLT 5X14	1	
16	90115-G02-000	VITE FLANGIATA 6X16	1	

※ Please check the color & stripe information according to the color index !  TEAMWORLD IND. 2009.07
 ※N/A = SUBSTITUTE

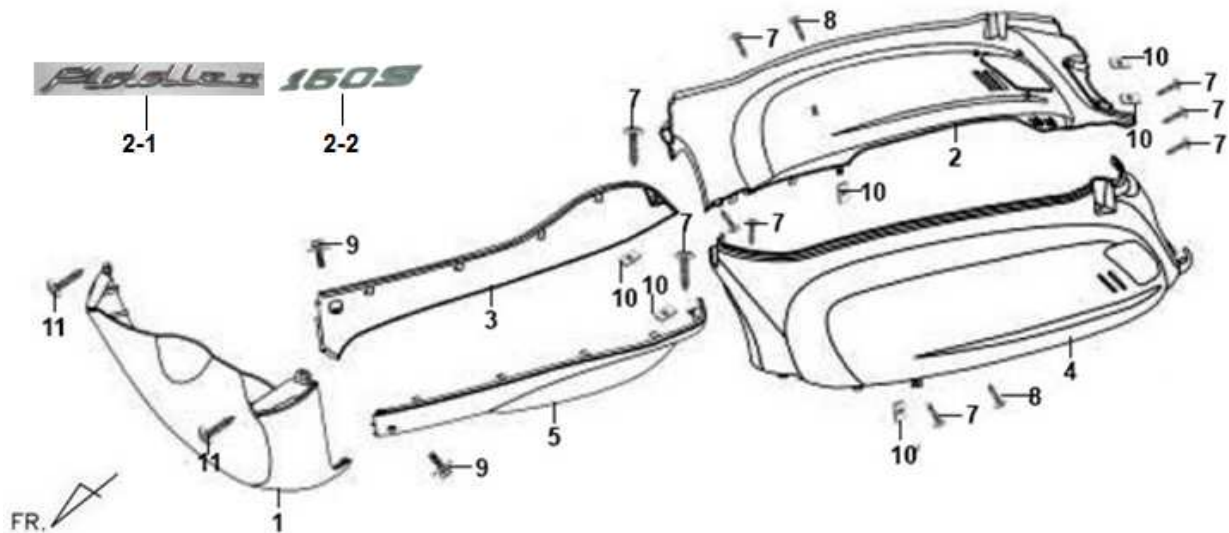


Pictures reference only

PARTS NUMBER	DESCRIPTION	QTY	EFFECTIVE DATE
1 50326-AAA-000	COPERCHIO BATTERIA NERO	1	
2 50612-ALA-000-BK	TAPPO PAVIMENTO NERO	4	
3 64310-ALA-A00-BK	PAVIMENTO	1	
4 80151-X1A-000-BK	COPERCHIO CENTRALE	1	
5 90109-42168	TAPPING SCREW M4.2x16	6	
6 90109-48168	TAPPING SCREW M4.8x16	2	
7 90111-M9Q-800	VITE FLANGIATA 6MM	4	
8 90308-X04-000	FLANGE SPECIAL NUT 10MM	6	
9 90109-42128	TAPPING SCREW M4.2x12	4	
10 64311-ALA-A00-BK	PANNELLO PAVIMENTO A (DX) NERO	1	
11 64312-ALA-A00-BK	PANNELLO PAVIMENTO B (SX) NERO	1	

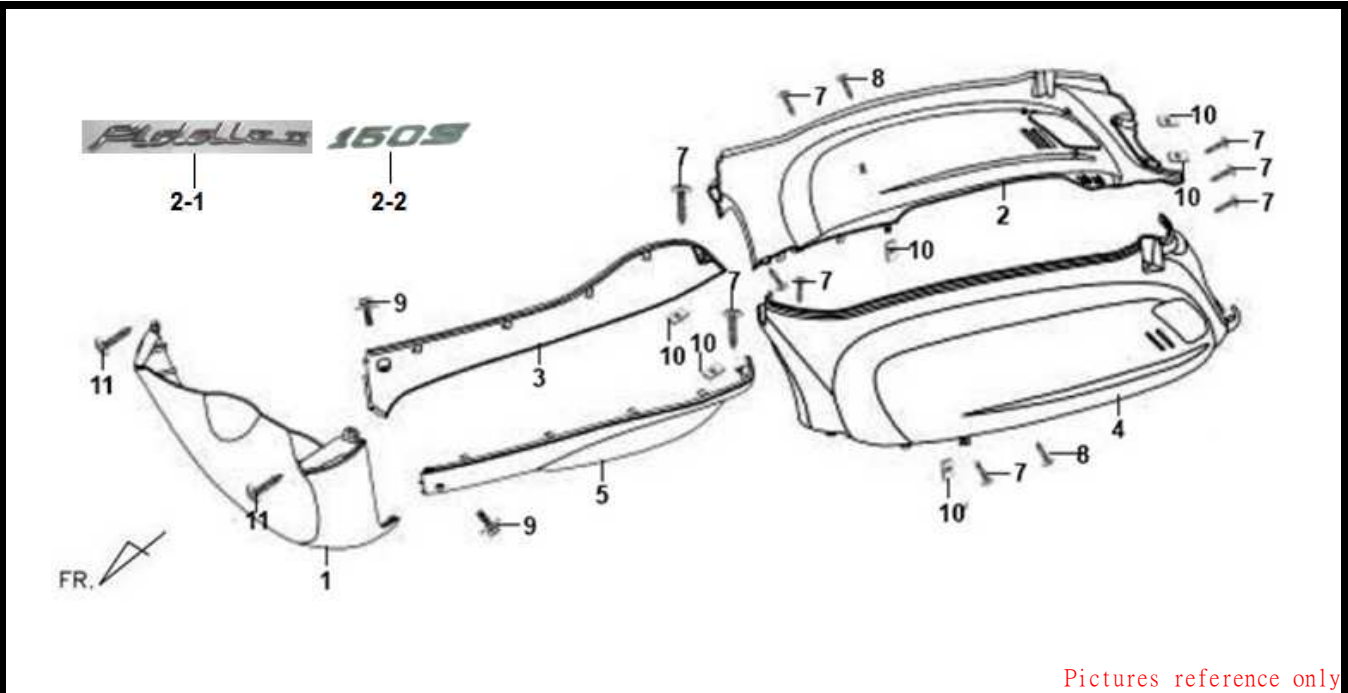
※ Please check the color & stripe information according to the color index !  TEAMWORLD IND. 2009.07

※N/A = SUBSTITUTE




Pictures reference only

PARTS NUMBER	DESCRIPTION	QTY	EFFECTIVE DATE
1 64300-ALA-000-K	SCUDO INF.ANT. NERO BK-001P	1	
1 64300-ALA-000-RD	SCUDO INF.ANT. ROSSO R-010CA	1	
1 64300-ALA-000-SB	SCUDO INF.ANT.ARGENTO S-421S	1	
1 64300-ALA-000-WD	SCUDO INF.ANT. BIANCO WH-8018P	1	
2 83500-X1A-000-KG	FIANCHETTO DX NERO BK-5560	1	
2 83500-X1A-000-RD	FIANCHETTO DX ROSSO R010CA	1	
2 83500-X1A-000-SB	FIANCHETTO DX ARGENTO S-421S	1	
2 83500-X1A-000-WD	FIANCHETTO DX BIANCO WH-8018P	1	
2-1 87127-ALA-010	ADESIVO FIANC.DX/SX "FIDDLE II"	1	
2-2 87130-X2A-000	ADESIVO FIANC.DX/SX "150"	1	
3 83520-ALA-000-K	FIANCHETTO INFER.DX NERO BK-001P	1	
3 83520-ALA-000-RD	FIANCHETTO INFER.DX ROSSO R010CA	1	
3 83520-ALA-000-SB	FIANCHETTO INFER.DX ARGENTO S-421S	1	
3 83520-ALA-000-WD	FIANCHETTO INFER.DX BIANCO WH-8018P	1	
4 83600-X1A-000-KG	FIANCHETTO SX NERO BK-5560	1	
4 83600-X1A-000-RD	FIANCHETTO SX ROSSO R010CA	1	
4 83600-X1A-000-SB	FIANCHETTO SX ARGENTO S-421S	1	
4 83600-X1A-000-WD	FIANCHETTO SX BIANCO WH-8018P	1	
2-1 87127-ALA-010	ADESIVO FIANC.DX/SX "FIDDLE II"	1	
2-2 87130-X2A-000	ADESIVO FIANC.DX/SX "150"	1	
5 83620-ALA-000-K	L.SIDE COVER(BK-001P)	1	
5 83620-ALA-000-RD	FIANCHETTO INF. SX ROSSO R010CA	1	
5 83620-ALA-000-SB	FIANCHETTO INF. SX ARGENTO S-421S	1	
5 83620-ALA-A00-WD	FIANCHETTO INF. SX BIANCO WH-006	1	
7 90109-42128	TAPPING SCREW M4.2x12	9	
8 90109-48128	TAPPING SCREW M4.8x12	2	
9 90118-HAA-000	WASHER BOLT 5X14	2	

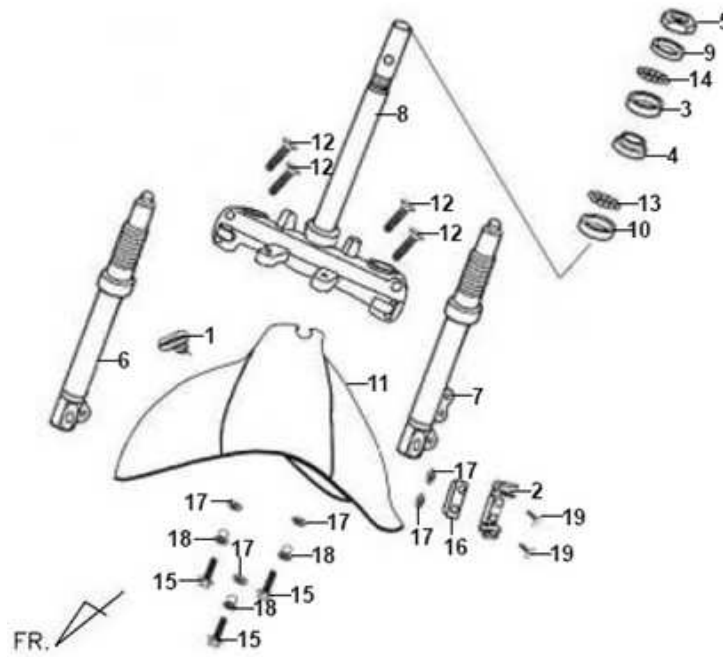


Pictures reference only

PARTS NUMBER		DESCRIPTION	QTY	EFFECTIVE DATE
10	90302-M92-000	SPRING NUT	6	
11	90109-48168	TAPPING SCREW M4.8x16	2	

※ Please check the color & stripe information according to the color index !  TEAMWORLD IND. 2009.07

※N/A = SUBSTITUTE

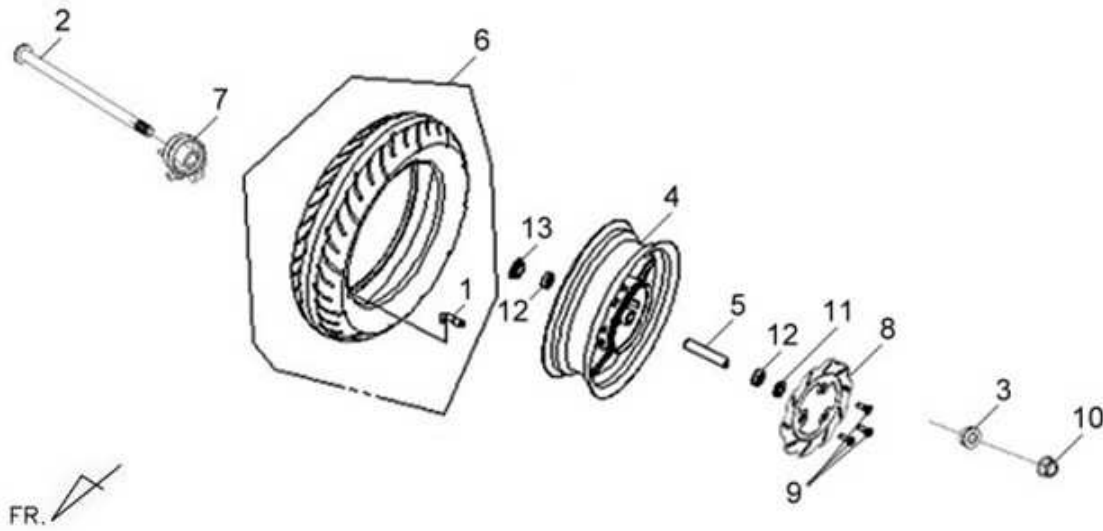


Pictures reference only

PARTS NUMBER	DESCRIPTION	QTY	EFFECTIVE DATE
1 45451-N02-000	GUIDA CAVO	1	
2 45156-ALA-000	GUIDA TUBO OLIO FRENO	1	
3 50301-M9Q-000	PISTA STERZO SUPERIORE	1	
4 50302-M9Q-000	PISTA STERZO INFERIORE	1	
5 50306-M9Q-000	DADO CANNOTTO	1	
6 51400-AYA-000	GAMBA FORCELLA DX COMPLETA	1	
7 51500-AYA-000	GAMBA FORCELLA SX COMPLETA	1	
8 53200-ALA-000	PIASTRA FORCELLA INFERIORE	1	
9 53211-M9Q-000	PISTA DI STERZO	1	
10 53212-M9Q-000	PISTA DI STERZO	1	
11 61100-ALA-000-K	PARAFANGO ANT.NERO BK-001P	1	
11 61100-ALA-000-RD	PARAFANGO ANT.ROSSO R010CA	1	
11 61100-ALA-000-SB	PARAFANGO ANT.ARGENTO S-421S	1	
11 61100-ALA-000-WD	PARAFANGO ANT.BIANCO WH-8081P	1	
12 95801-08040-00	VITE FLANGIATA 8X40	4	
13 96211-05000	SFERA # 5	1	
14 96211-08000	SFERA 8MM(1/4" BALL)	1	
15 95801-06020-08	FLANGE BOLT 6X20	3	
16 45157-ALA-000	FR. BRAKE HOSE CLAMP A	1	
17 77226-M3F-000	DAMPING RUBBER	5	
18 90104-X04-000	FR. FORK COVER COLLAR	3	
19 90110-H6T-000	SCREW SPECIAL 6X14	3	


※ Please check the color & stripe information according to the color index !

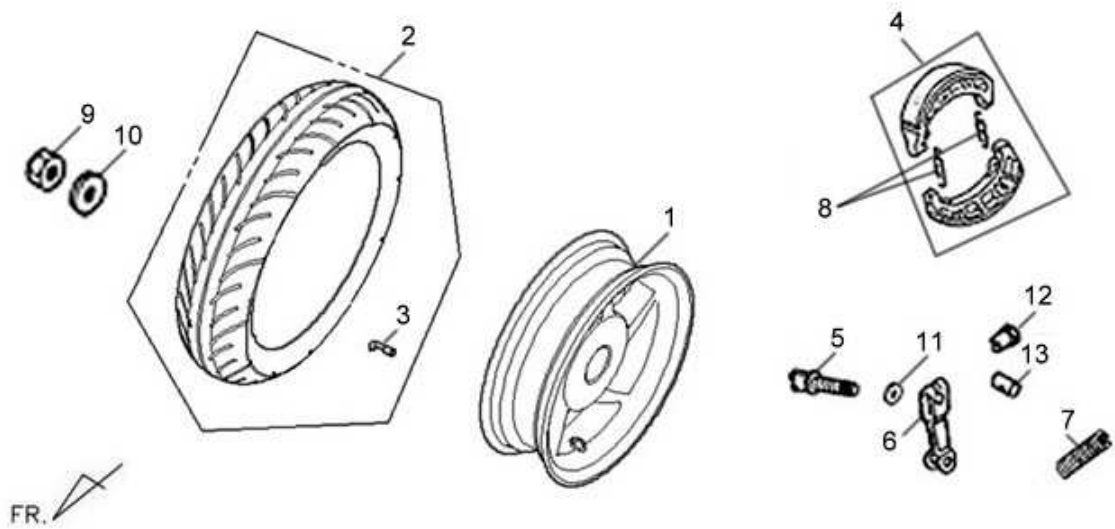
※N/A = SUBSTITUTE



Pictures reference only


PARTS NUMBER	DESCRIPTION	QTY	EFFECTIVE DATE
1 42753-ABA-000	VALVOLA PNEUMATICO	1	
2 44301-H3F-000	PERNO RUOTA ANTERIORE	1	
3 44311-GW0-910	DISTANZIALE PERNO RUOTA ANT.	1	
4 44601-AAA-000-BT	CERCHIO RUOTA ANT.SATINATO	1	
4 44601-AAA-000-K	CERCHIO RUOTA ANT.	1	
5 44620-AAA-000	DISTANZIALE INTERNO RUOTA ANTERIORE	1	
6 44710-AKA-000	PNEUMATICO 110/70-12 47J (ANT.)	1	
7 44800-ALA-000	RINVIO TACHIMETRO	1	
8 45121-AAA-000	DISCO FRENO ANTERIORE	1	
9 90106-N02-000	VITE DISCO FRENO	3	
10 90306-M9Q-000	DADO 12MM	1	
11 90754-M9Q-000	PARAPOLVERE 20X32X5	1	
12 90912-M9Q-000	CUSCINETTO A SFERE 6201TU/2A	2	
13 91258-M9Q-000	SEAL SPEDMT. GEAR BOX	1	

※ Please check the color & stripe information according to the color index !  TEAMWORLD IND. 2009.07
 ※N/A = SUBSTITUTE

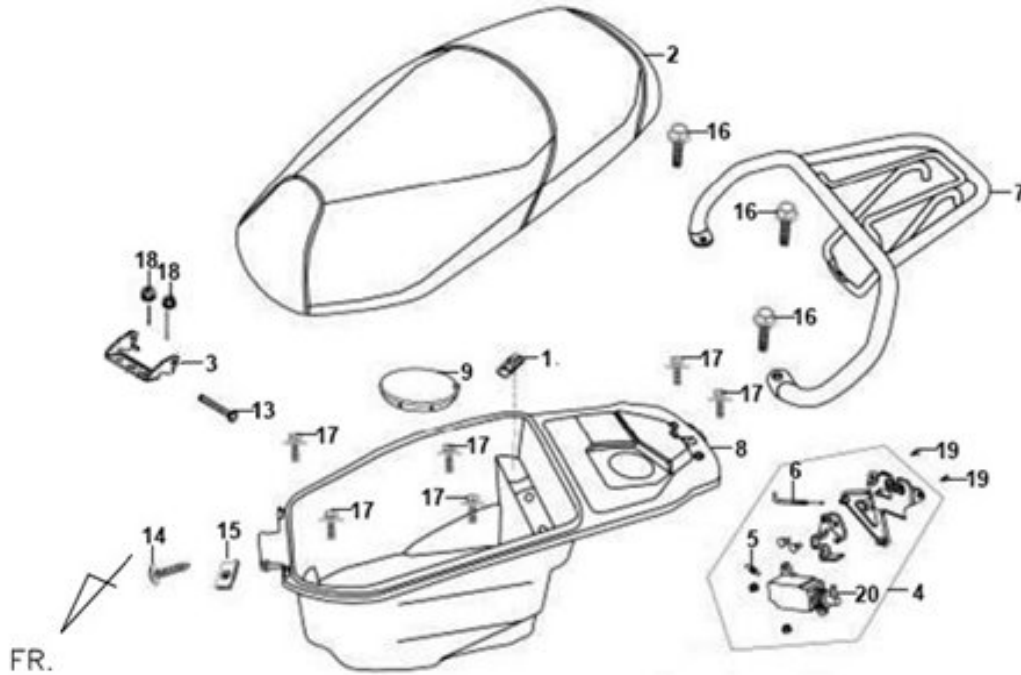


Pictures reference only

PARTS NUMBER		DESCRIPTION	QTY	EFFECTIVE DATE
1	42601-ABA-000-BT	CERCHIO RUOTA POSTERIORE	1	
1	42601-ABA-000-K	CERCHIO RUOTA POSTERIORE	1	
2	42710-AKA-000	PNEUMATICO 120/70-12 51J (POST.)	1	
3	42753-ABA-000	VALVOLA PNEUMATICO	1	
4	4312A-H1A-000	COPPIA GANASCE FRENO POST.	1	
5	43141-KAA-000	CAMMA APRIGANASCE FRENO POST.	1	
6	43410-ALG-000	RR.BRAKE ARM	1	
7	43472-T5C-000	MOLLA TRASMISSIONE FRENO	1	
8	45133-B08-000	MOLLA GANASCE FRENO	2	
9	90305-M9Q-900	DADO 16MM	1	
10	90501-M9Q-000	RONDELLA 16MM	1	
11	91352-M9Q-000	O-RING 11.3x1.3	1	
12	95015-32001	BARILOTTO TRASSMISS.FRENO	1	
13	95015-42000	DADO REGISTRO TRASSMISS.FRENO	1	

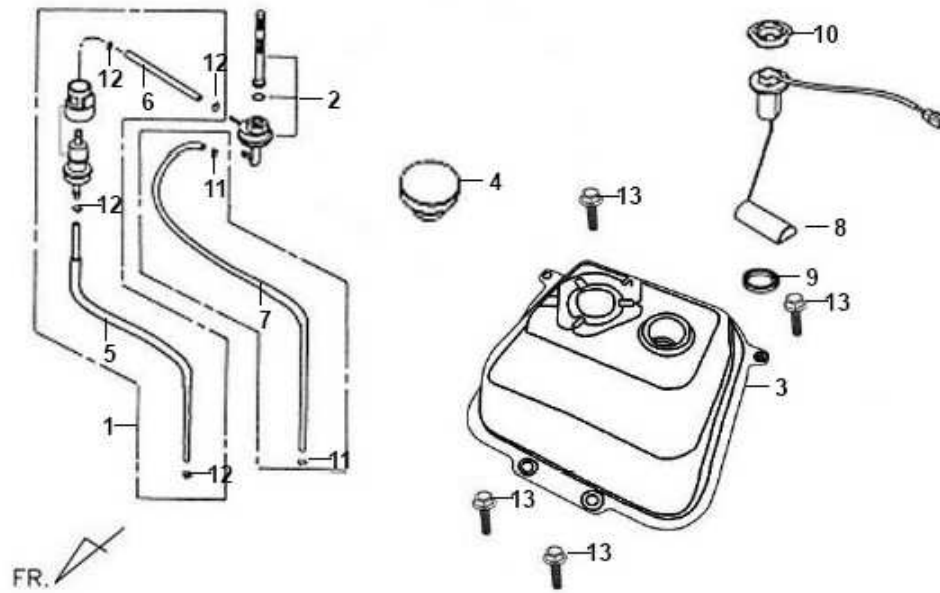
※ Please check the color & stripe information according to the color index !  TEAMWORLD IND. 2009.07

※N/A = SUBSTITUTE




Pictures reference only

PARTS NUMBER	DESCRIPTION	QTY	EFFECTIVE DATE	
1 36600-A1A-000	INTERRUTT.LUCE VANO SOTTOSELLA	1		
2 77200-X1A-000-QM	SELLA	1		
3 77201-T36-000-XS	SEAT HINGE SET	1		
4 77230-ALA-000	SEAT CATCH COMP.	1		
5 77234-M8Q-000	MOLLA	1		
6 77240-ABA-000	CAVO APERTURA SELLA	1		
7 81200-A2C-000	PORTAPACCHI	1	2010/5/14	N
7 81200-A2C-000-K1	PORTAPACCHI (NERO)	1		
7 81200-ALA-000	PORTAPACCHI	1	2010/4/1	N
8 81250-X1A-000	VANO SOTTOSELLA	1		
9 81251-ALA-000	CARB. MAINT COVER	1		
13 90105-T36-000	PERNO CERNIERA SELLA	1		
14 90109-42168	TAPPING SCREW M4.2x16	1		
15 90308-X04-000	FLANGE SPECIAL NUT 10MM	1		
16 93401-08020-00	WASHER BOLT8*20	3		
16 93401-08025-00	WASHER BOLT8*25	3	2010/5/14	N
17 93404-06016-00	VITE FLANGIATA 6X16	6		
17 90115-ATA-000	FLANGE BOLT 6*16	6	2010/12/3	N
18 94050-06080	DADO FLANGIATO 6MM	2		
19 95801-06012-08	FLANGE BOLT	2		
20 35870-HLA-000	SOLENOIDE APERTURA SELLA	1		

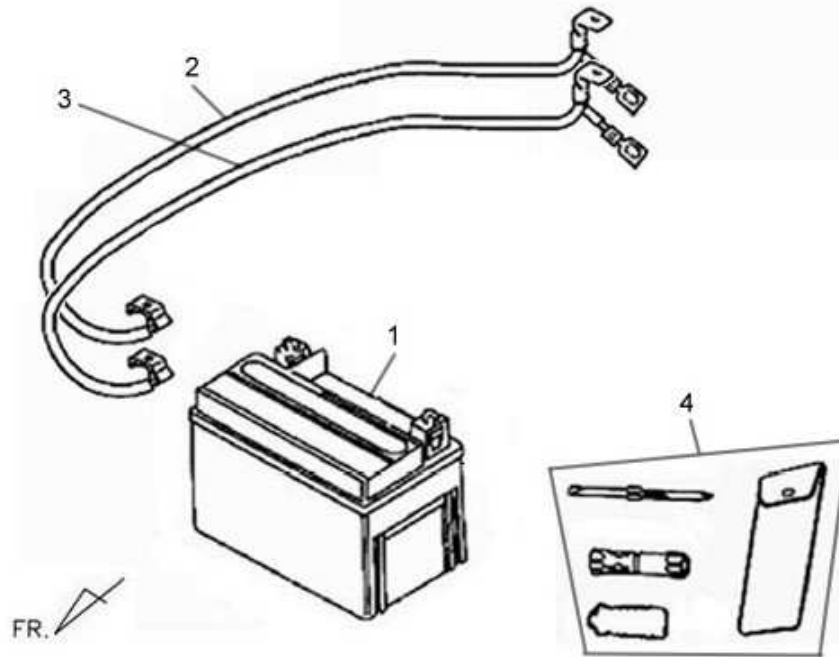


Pictures reference only

PARTS NUMBER	DESCRIPTION	QTY	EFFECTIVE DATE
1 16905-ABA-000	FILTRO CARBURANTE	1	
2 16950-M9Q-000	RUBINETTO CARBURANTE	1	
3 17500-AAA-000	SERBATOIO CARBURANTE	1	
4 17620-S7A-A00	TAPPO SERBATOIO CARBURANTE	1	
4 17620-CT1C-A00	TAPPO SERBATOIO CARBURANTE	1	2011/10/13
5 17682-ABA-000	TUBO BENZINA	1	
6 17683-AAA-000	TUBO BENZINA	1	
7 17684-ABA-000	VACUUM TUBE	1	
8 37800-ABA-000	SONDA LIVELLO CARBURANTE	1	
9 37801-M9Q-000	GUARNIZIONE SONDA LIV.CARB.	1	
10 37802-M9Q-000	COPERCHIO SONDA LIV.CARB.	1	
11 95002-02070	TUBE CLIP B7	2	
12 95002-02080	FASCETTA TUBO B8	4	
13 95801-06012-08	FLANGE BOLT	4	


※ Please check the color & stripe information according to the color index !  TEAMWORLD IND. 2009.07

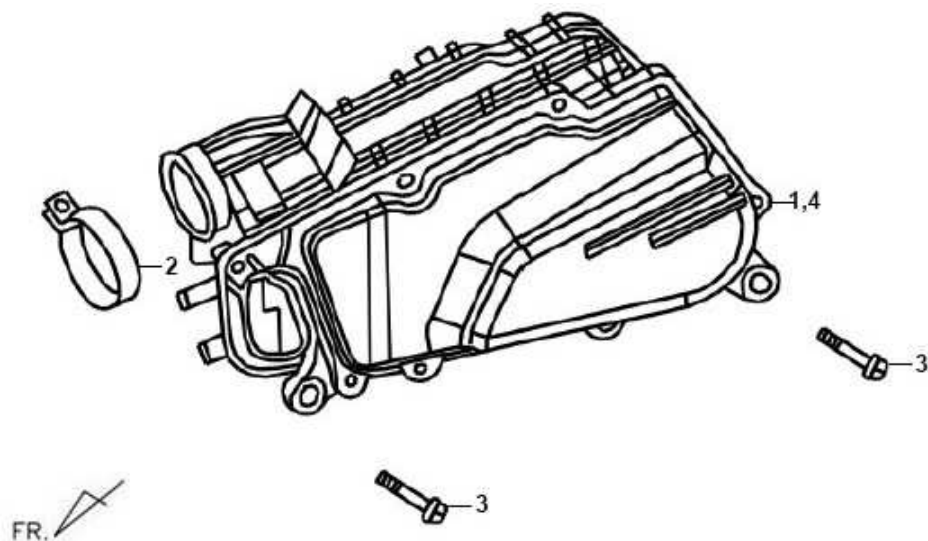
※N/A = SUBSTITUTE



Pictures reference only

PARTS NUMBER		DESCRIPTION	QTY	EFFECTIVE DATE
1	1Y01GY601-Y	BATTERIA YTX7A-BS (YUASA)	1	
2	32411-ABA-010	CAVO BATTERIA	1	
3	32412-ABA-000	CAVO MASSA BATTERIA	1	
4	89010-V1F-A00	SERIE UTENSILI	1	

※ Please check the color & stripe information according to the color index !  TEAMWORLD IND. 2009.07
 ※N/A = SUBSTITUTE

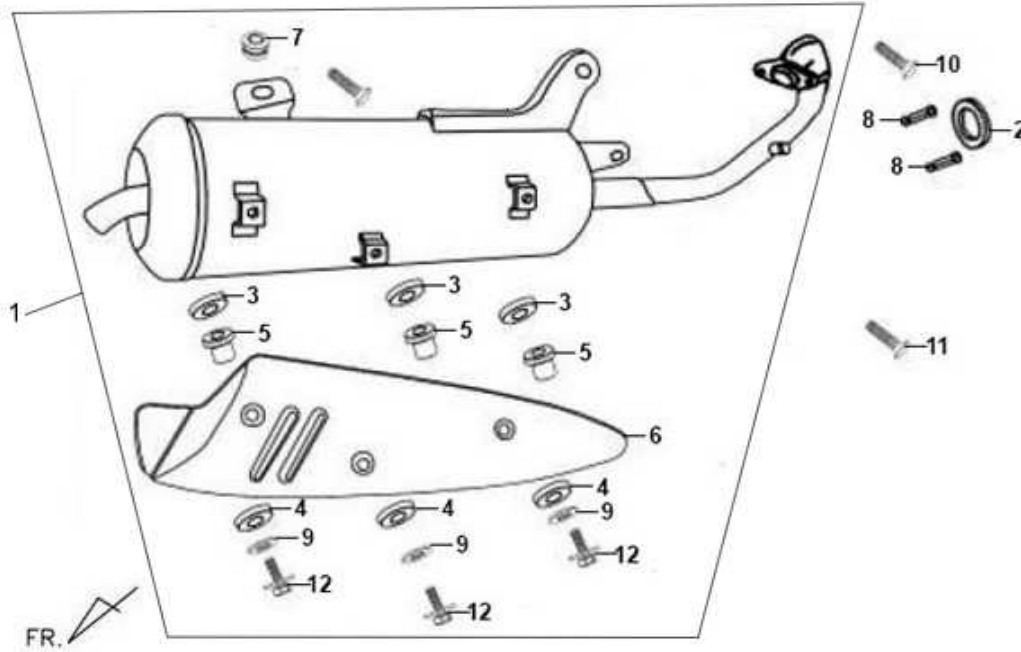


Pictures reference only

PARTS NUMBER		DESCRIPTION	QTY	EFFECTIVE DATE
1	17200-ANA-000	SCATOLA FILTRO ARIA COMPLETA	1	
2	90652-M9Q-000	FASCETTA	1	
3	95801-06028-07	VITE FLANGIATA 6X28	2	
4	17211-GY6-920	FILTRO ARIA	1	


※ Please check the color & stripe information according to the color index !

※N/A = SUBSTITUTE

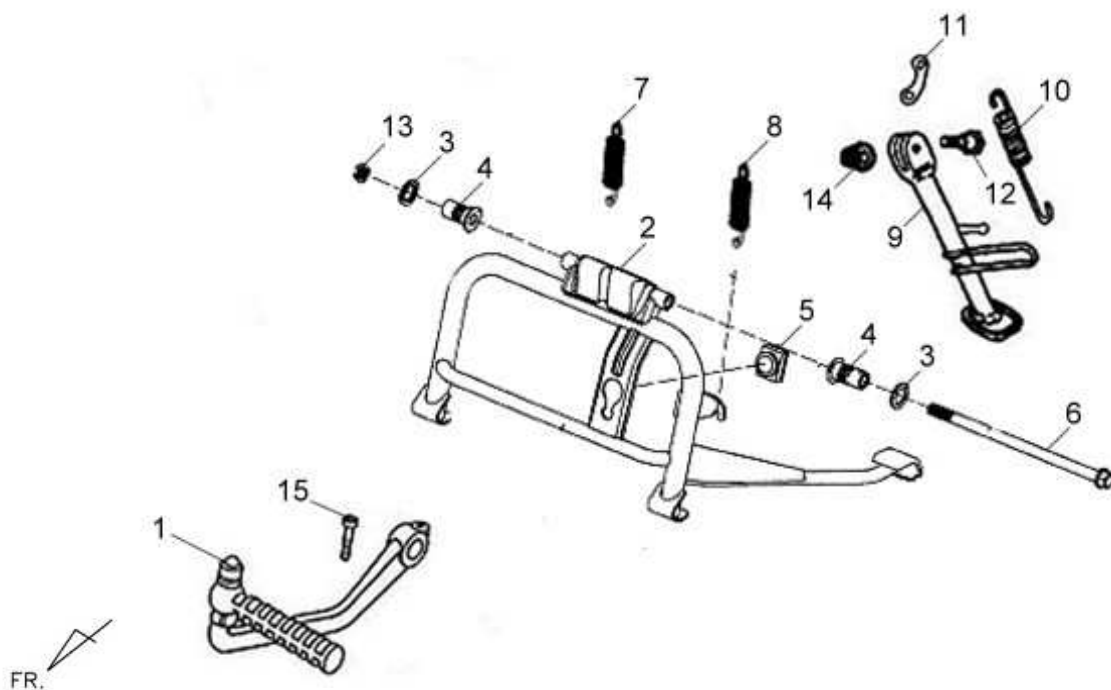


Pictures reference only

PARTS NUMBER	DESCRIPTION	QTY	EFFECTIVE DATE
1 18000-ANA-000	MARMITTA COMPLETA	1	
1 18000-ANA-020	MARMITTA COMPLETA	1	
2 18291-M9Q-000	GUARNIZIONE SCARICO	1	
3 18292-F3E-000	PROTECTOR PACKING A	3	
4 18293-F3E-000	RONDELLA ISOLANTE	3	
5 18295-F3E-000	BOCCOLA 6MM	3	
6 18318-ALA-000	PROTEZIONE MARMITTA	1	
7 18321-ADB-000	RR. MUDGUARD STAY RUBBER	1	
8 90301-V1F-A00	Muffler nut M7	2	
9 90555-T3A-A00	WASHER	3	
10 95801-08045-07	FLANGE BOLT 8X45	1	
11 95801-08055-07	FLANGE BOLT 8X55	1	
12 96001-06022-49	BOLT6*22	3	


※ Please check the color & stripe information according to the color index !  TEAMWORLD IND. 2009.07

※N/A = SUBSTITUTE

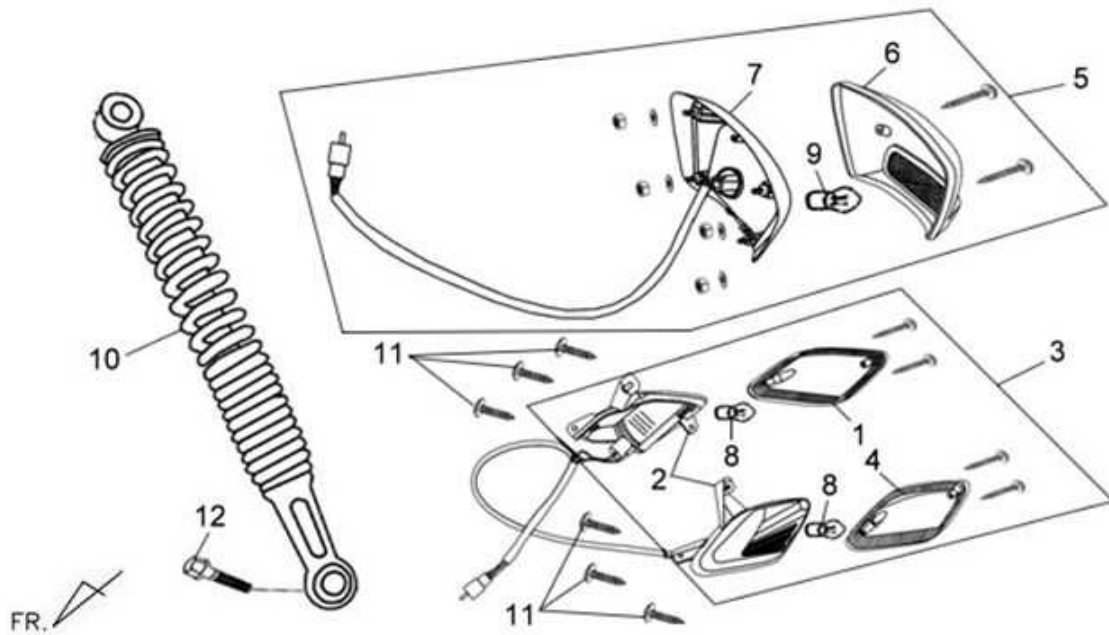


Pictures reference only

PARTS NUMBER	DESCRIPTION	QTY	EFFECTIVE DATE	
1 28300-F6C-000	PEDALE AVVIAMENTO	1		
2 50500-ANA-000	CAVALLETTO CENTRALE	1		
2 50500-X1A-000	CAVALLETTO CENTRALE	1	2010/7/14	N
3 50503-F6B-000	RONDELLA	2		
4 50504-F6B-000	DISTANZIALE	2		
4 50504-Z6A-000	DISTANZIALE	2	2010/3/3	N
5 50506-ABA-000	STAND STOP RUBBER A	1		
6 50512-ARA-000	FLANGE BOLT	1		
7 50522-APA-000	MAIN STAND SPRING	1		
8 50523-APA-000	MOLLA CAVALLETTO CENTRALE B	1		
9 50530-ALA-000	CAVALLETTO LATERALE	1		
10 50535-APA-000	SIDE STAND SPRING ASSY	1		
11 50542-AAA-000	SPRING PLATE HOOK	1		
12 90108-AAA-000	SIDE STAND PIVOT SCREWBOLT	1		
13 90309-N7C-000	SELF-LOCK NUT 8MM	1		
14 94030-08000	DADO 8MM	1		
15 95801-06022-07	FLANGE BOLT 6X22	1		


※ Please check the color & stripe information according to the color index !  TEAMWORLD IND. 2009.07

※N/A = SUBSTITUTE

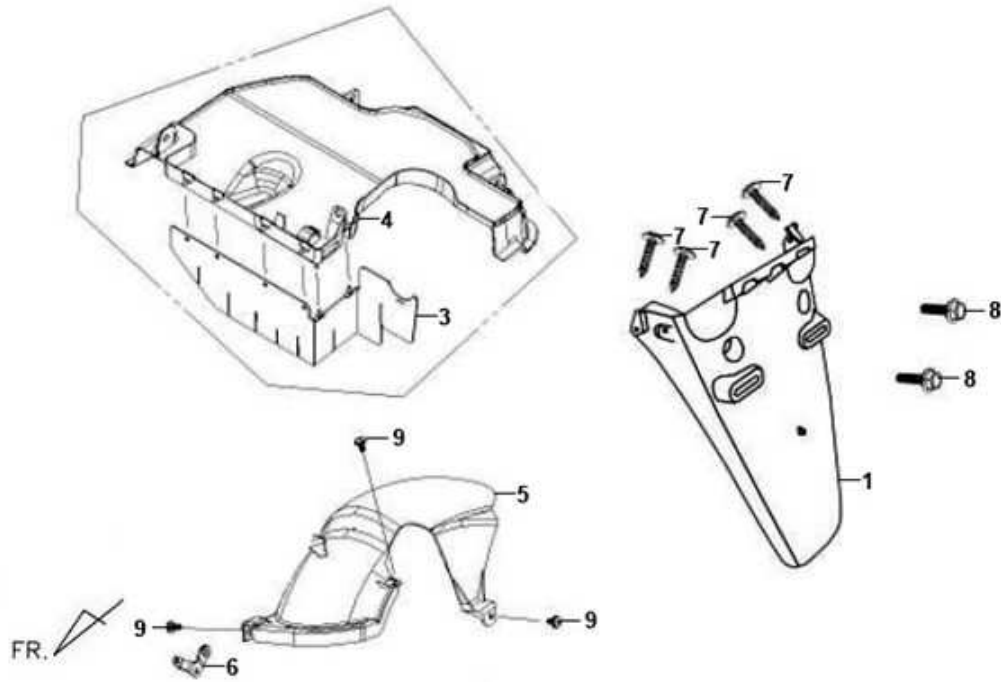


Pictures reference only

PARTS NUMBER	DESCRIPTION	QTY	EFFECTIVE DATE
1 33602-ALA-000	LENTE LAMPEGGIATORE POST.DX	1	
2 33603-ALA-000	RR.R.L.WINKER BASE	1	
3 3360A-ALA-000	LAMPEGGIATORI DX/SX (KIT)	1	
4 33652-ALA-000	LENTE LAMPEGGIATORE POST.SX	1	
5 33700-ALA-000	FANALE POSTERIORE	1	
6 33701-ALA-000	LENTE FANALE POSTERIORE	1	
7 33702-ALA-000	TAIL LIGHT BASE	1	
8 34905-A8D-000	LAMPADINA LAMPEG. 12V-10W	2	
9 34906-268-600	LAMPADINA 12V 18/5W POS.&STOP	1	
10 52400-ABA-010-SB	AMMORTIZZATORE POST.	1	
11 90109-48128	TAPPING SCREW M4.8x12	6	
12 95801-08035-00	FLANGE BOLT 8X35	1	


※ Please check the color & stripe information according to the color index !  TEAMWORLD IND. 2009.07

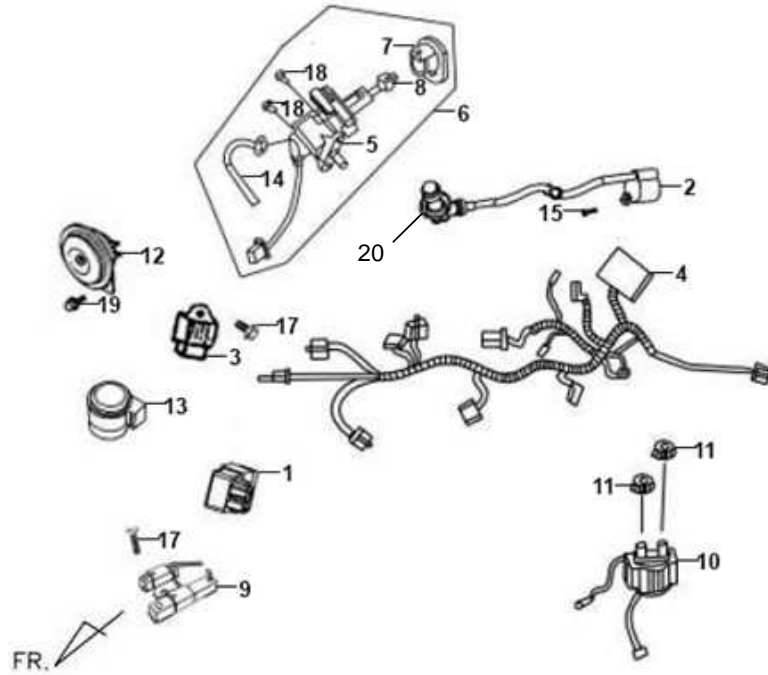
※N/A = SUBSTITUTE



Pictures reference only


PARTS NUMBER	DESCRIPTION	QTY	EFFECTIVE DATE
1 80100-ALA-000	PARAFANGO POST.	1	
3 80104-ABA-000	PARASPRUZZI	1	
4 80106-ALA-000	PARAFANGO INTERNO POSTERIORE	1	
5 80107-ANA-000	RR MUDGUARD	1	
6 80109-ABA-010	RR. FENDER STAY	1	
7 90109-48128	TAPPING SCREW M4.8x12	4	
8 95801-06012-07	VITE FLANGIATA 6X12	2	
9 95801-06012-07	VITE FLANGIATA 6X12	3	

※ Please check the color & stripe information according to the color index !  TEAMWORLD IND. 2009.07
 ※N/A = SUBSTITUTE

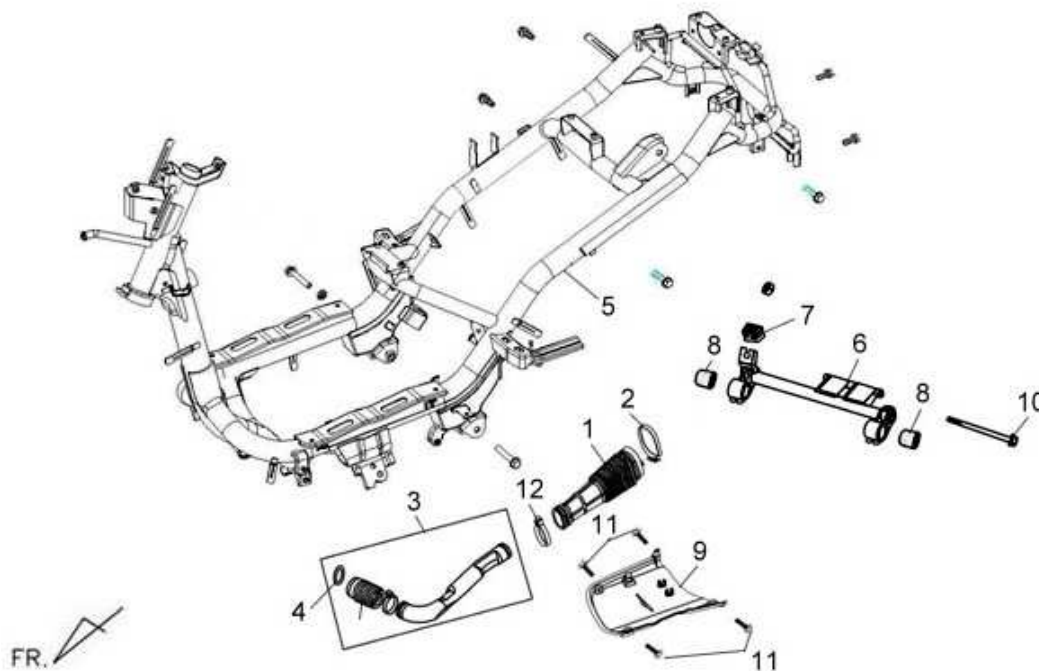


Pictures reference only

PARTS NUMBER	DESCRIPTION	QTY	EFFECTIVE DATE	
1 30410-M92-000	CENTRALINA CDI	1		
2 3051A-ARA-000	BOBINA ACCENSIONE+PIPETTA	1		
2 3051A-T7A-000	BOBINA ACCENSIONE+PIPETTA	1	2011/10/17	N
3 31600-CT3-A00	REGOLATORE DI TENSIONE	1		
3 31600-ZDA-000	REGOLATORE DI TENSIONE	1	2011/6/9	
4 32100-ALA-010	IMPIANTO ELETTRICO	1		
5 35100-ALA-000	BLOCCO AVVIAMENTO A CHIAVE	1		
6 35010-ALA-000	BLOCCO AVVIAMENTO A CHIAVE	1		
6 35010-ALA-010	BLOCCO AVVIAMENTO A CHIAVE	1	2010/6/12	N
7 35114-ALA-000	GHIERA SERRATURA AVVIAMENTO	1		
8 35111-N7B-E00	CHIAVE GREZZA FIDDLE/XS/SYMPHONY	1		
9 35400-M92-000	RESISTENZA	1		
10 3585A-35A-A00	TELERUTTORE AVVIAMENTO	1		
11 35859-M9Q-000	STAR MAG. SW NUT	2		
12 38110-ABA-000	CLAXON	1		
13 38300-KAA-A00	INTERMITTENZA LAMPEGGIATORI	1		
14 77240-ABA-000	CAVO APERTURA SELLA	1		
15 90112-M9Q-000	FLANGE BOLT 5*22	1		
17 95801-06012-08	FLANGE BOLT	2		
18 95801-06018-08	FLANGE BOLT	2		
19 95801-08012-08	VITE FLANGIATA 8X12	1		
20 30700-T7A-A00	PIPETTA CANDELA	1		


※ Please check the color & stripe information according to the color index !  TEAMWORLD IND. 2009.07

※N/A = SUBSTITUTE

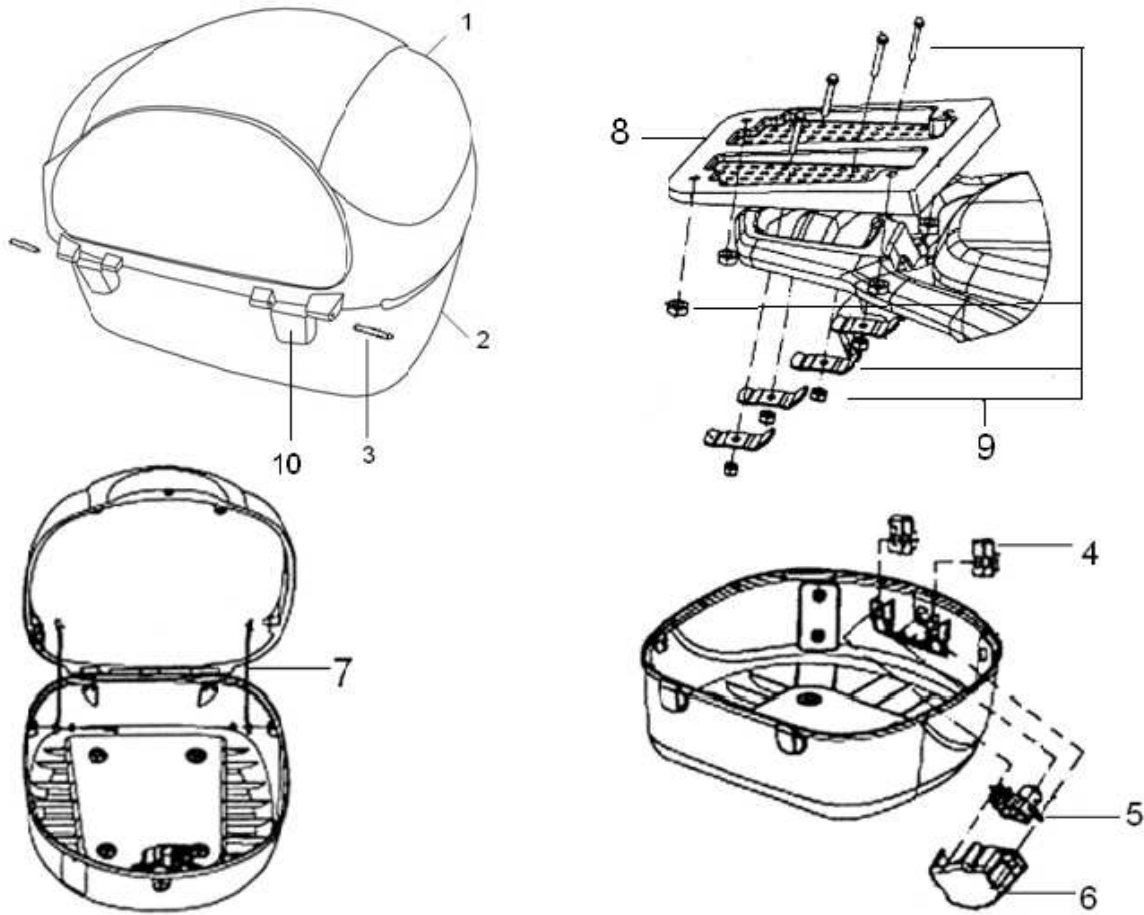


Pictures reference only

PARTS NUMBER	DESCRIPTION	QTY	EFFECTIVE DATE	
1 11345-ABA-000	TUBO RAFFREDDAMENTO	1		
2 11346-GY6-900	FASCETTA	1		
3 1134B-ABA-000	MANICOTTO COMPLETO	1		
4 17242-H6T-000	AIR/C DUCT. ELEMENT	1		
5 50100-X1A-000	TELAIO AX12/15	1		
6 50351-ANA-000	SUPPORTO MOTORE	1		
6 50351-ANA-010	SUPPORTO MOTORE	1	2011/3/1	N
7 50352-A1A-000	TAMPONE IN GOMMA	1		
8 50353-M9Q-000	BOCCOLA	2		
9 50613-ALA-000	COPERCHIO INFERIORE	1		
10 90105-M9Q-800	FLANGE BOLT 10X184	1		
11 93404-06016-00	VITE FLANGIATA 6X16	4		
12 95014-62200	WIRE BAND B2	2		

※ Please check the color & stripe information according to the color index !  TEAMWORLD IND. 2009.07

※N/A = SUBSTITUTE



Pictures reference only

PARTS NUMBER	DESCRIPTION	QTY	EFFECTIVE DATE
1 8141A-X1A-000-KG	COPERCHIO BAULETTO SUP.NERO BK-5560	1	
1 8141A-X1A-000-SB	COPERCHIO BAULETTO SUP.ARGENTO S880S	1	
1 8141A-X1A-000-RD	COPERCHIO BAULETTO SUP.ROSSO R010CA	1	
1 8141A-X1A-000-WD	COPERCHIO BAULETTO SUP.BIANCO WH8010P	1	
2 8145A-X1A-000-KG	COPERCHIO BAULETTO INF.NERO BK-5560	1	
2 8145A-X1A-000-SB	COPERCHIO BAULETTO INF.ARGENTO S880S	1	
2 8145A-X1A-000-RD	COPERCHIO BAULETTO INF.ROSSO R010CA	1	
2 8145A-X1A-000-WD	COPERCHIO BAULETTO INF.BIANCO WH8010P	1	
3 81414-X1A-000	PERNO CERNIERA	2	
4 90305-M9Q-000	DADO A CLIP 6MM	3	
5 8142A-H4A-A00	SERRATURA	1	
6 81421-X1A-000	COPERCHIO SERRATURA	1	
7 81412-X1A-000	ELASTICO	2	
8 81430-X1A-000	BASE BAULETTO (SENZA MINUTERIA)	1	
9 81460-X1A-000	KIT MINUTERIA COMPLETA	1	
10 81415-X1A-000	CERNIERA BAULETTO	2	

※ Please check the color & stripe information according to the color index !

※N/A = SUBSTITUTE