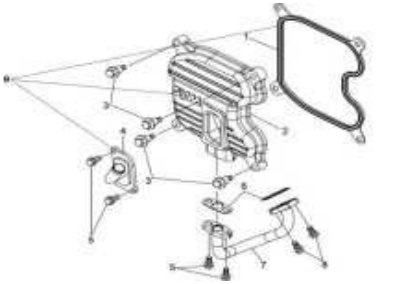
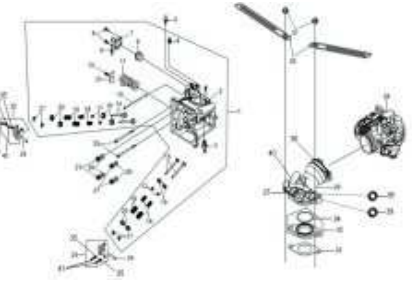
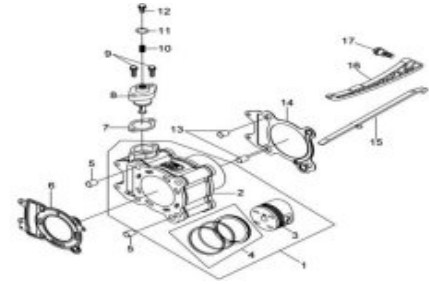
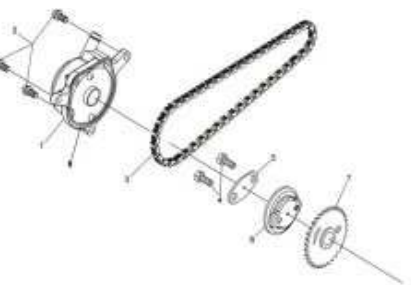
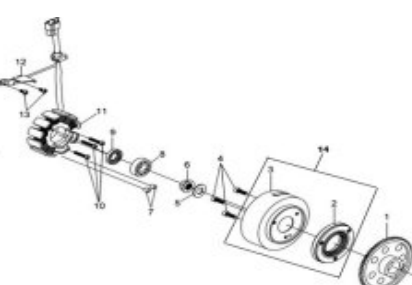
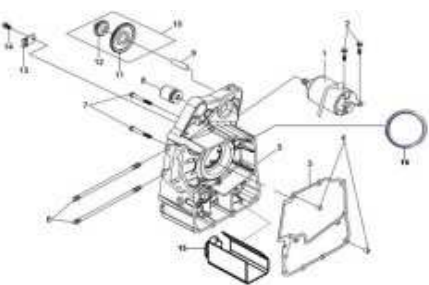
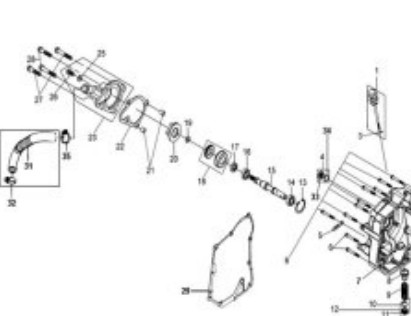
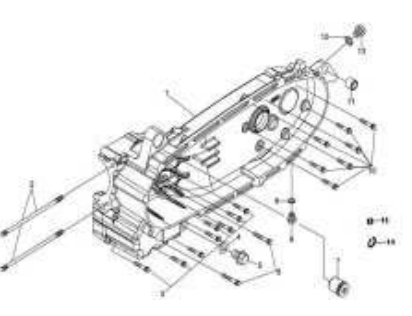
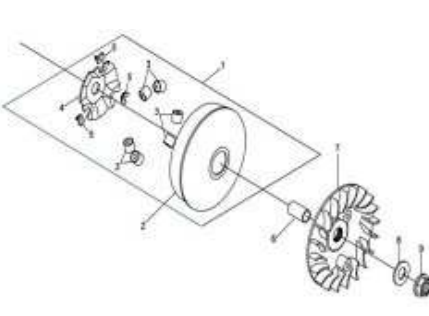
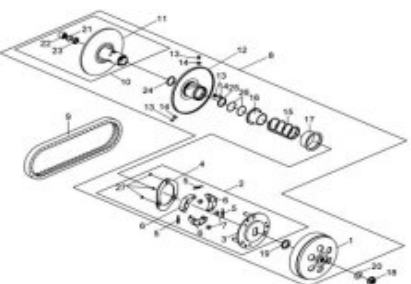
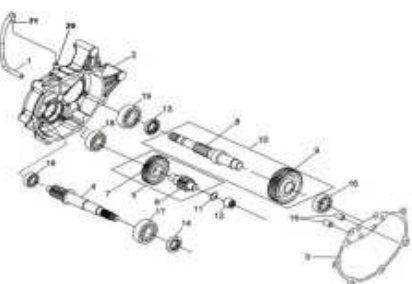
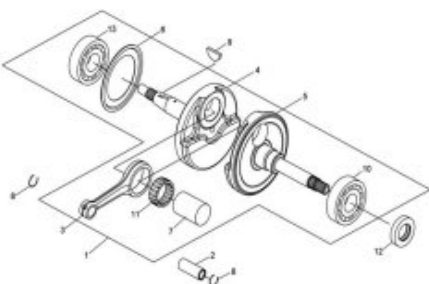
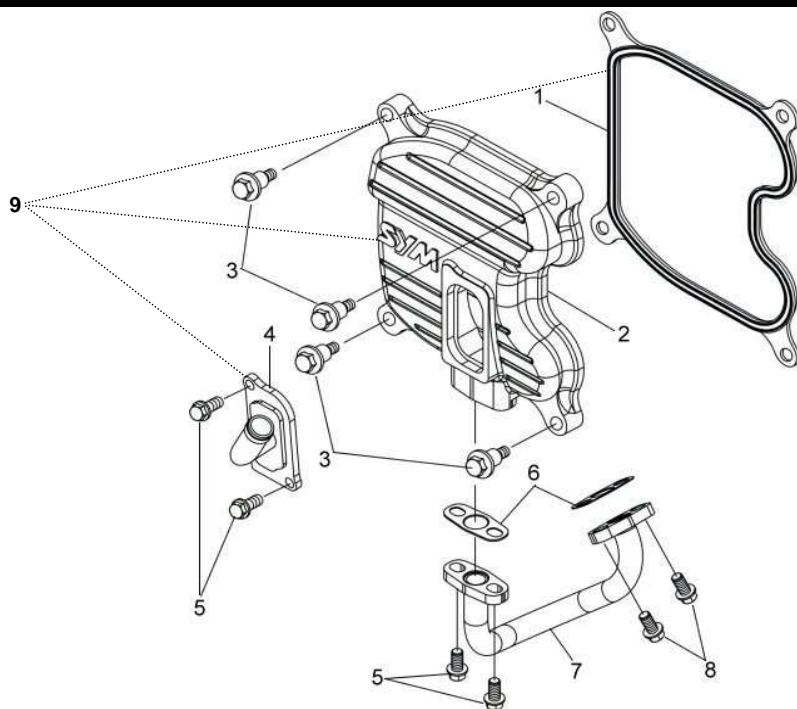


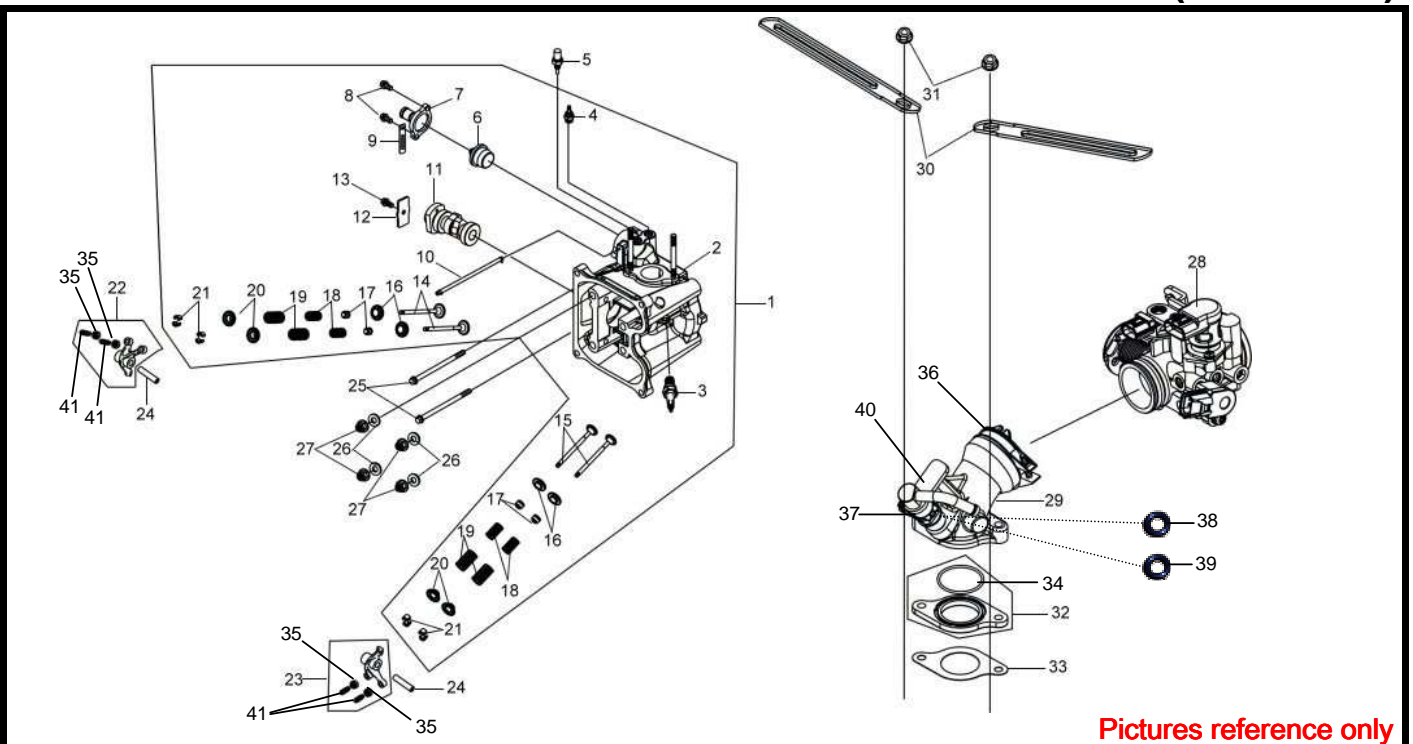
CONTENTS-ENGINE GROUP

<p>E01 CYLINDER HEAD COVER</p> 	<p>E02 CYLINDER HEAD ASSY.</p> 	<p>E03 CYLINDER COMP.</p> 
<p>E04 CYLINDER HEAD SIDE COVER</p> 	<p>E05 A.C.G. ASSY</p> 	<p>E06 R. CRANK CASE COMP.</p> 
<p>E07 R. CASE COVER</p> 	<p>E08 L. CRANK CASE COMP.</p> 	<p>E09 MOVABLE DRIVE FACE ASSY.</p> 
<p>E10 DRIVEN PULLEY ASSY</p> 	<p>E11 MISSION CASE</p> 	<p>E12 CRANK SHAFT</p> 



Pictures reference only

PARTS NUMBER	DESCRIPTION	QTY	EFFECTIVE DATE
1	12391-HMA-000	1	
2	12301-HMA-000	1	
3	90002-HMA-000	4	
4	18610-HKA-000	1	
5	96001-06016-00	2	
6	18654-N14-000	2	
7	18647-HMA-000	1	
8	96001-06014-00	2	
9	1230A-HMA-000	1	

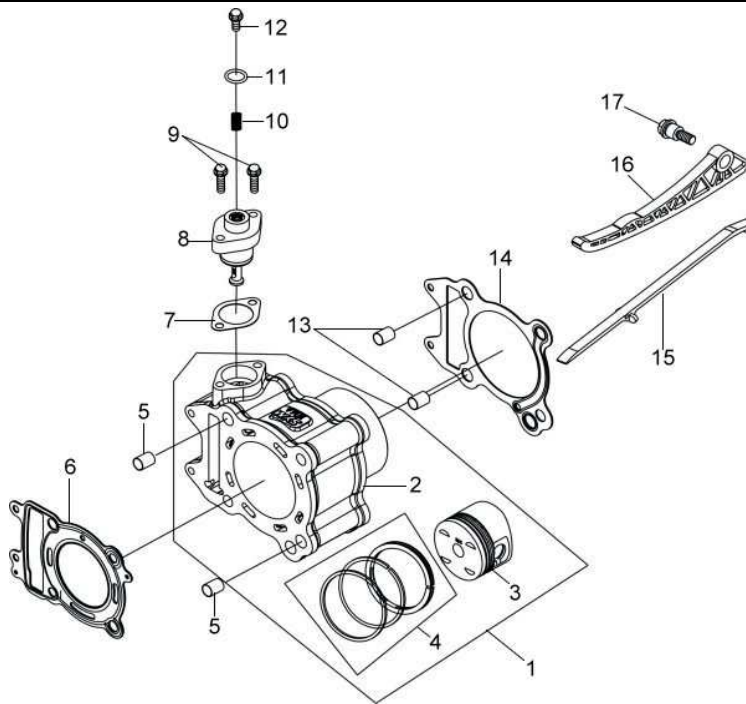


Pictures reference only

PARTS NUMBER	DESCRIPTION	QTY	EFFECTIVE DATE
1 1220A-LEA-000	TESTA CILINDRO COMPLETA	1	
2 12200-LEA-000	TESTA CILINDRO	1	
3 1PCR8E-3	CANDELA NGK CR8E	1	
4 37750-PC1-004	BULBO TEMPARATURA (TESTA)	1	
5 37880-HMC-000	SENSORE TEMPERATURA LIQ.RAFREDDAMENT	1	
6 19300-HMA-000	TERMOSTATO	1	
7 19315-KJ9-000	COPERCHIO TERMOSTATO	1	
8 96001-06016-00	VITE FLANGIATA 6X16	2	
9 12342-X01-000	GUIDA TUBO	1	
10 1951A-HMA-000	TUBO TERMOSTATO	1	
11 14100-HML-000	ALBERO A CAMME	1	
12 14457-HMA-000	PIASTRINA GUIDA CATENA DISTRIBUZIONE	1	
13 96001-06014-00	VITE FLANGIATA 6X14	1	
14 14711-HMA-000	VALVOLA ASPIRAZIONE	2	
15 14721-HMA-000	VALVOLA SCARICO	2	
16 14777-KN7-670	VALVE SPRING SEAT	4	
17 12209-H6B-900	SOST.DA : 12209H6B000	4	
18 14761-HMA-000	MOLLA VALVOLA INTERNA	4	
19 14751-HMA-000	MOLLA VALVOLA ESTERNA	4	
20 14771-M8Q-000	SOST.DA :14771GB4680	4	
21 14781-M9Q-000-A	SEMICONO VOLVOLA (SET)	8	
22 1443A-LEA-000	IN VALVE ROCKER ARM ASSY	1	
23 1444A-LEA-000	EX VALVE ROCKER ARM ASSY	1	
24 14451-HMA-000	ASSE BILANCERE ASPIRAZIONE	2	
25 96001-06090-00	VITE FLANGIATA 6X90	2	

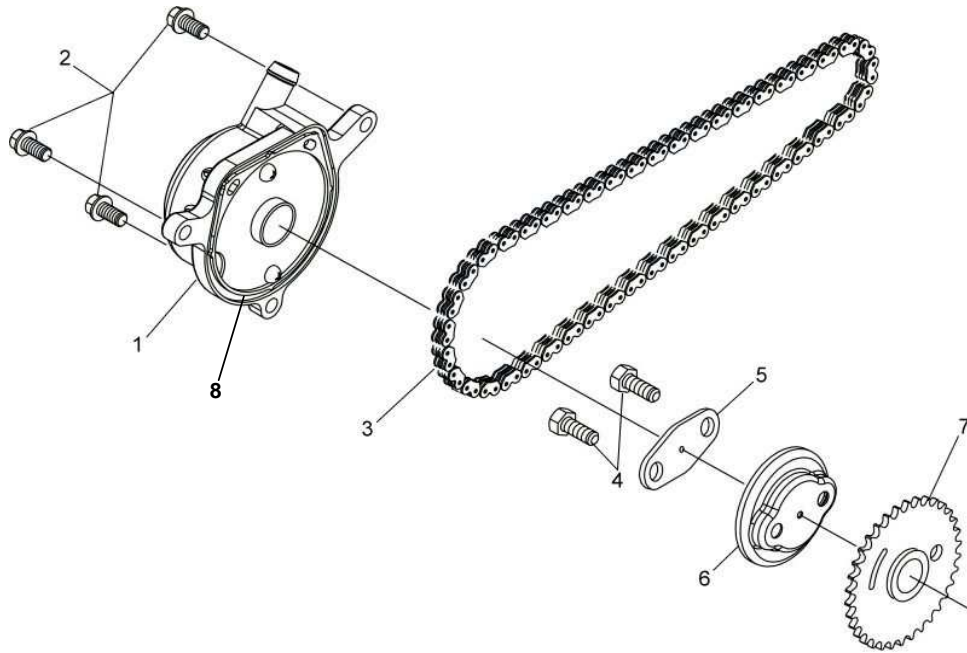
26	90442-HMA-000	SEALING WASHER	4	
27	94050-10080	FLANGE NUT 10MM	4	
28	16401-HML-000	CORPO FARFALLATO COMPLETO	1	
29	1711A-HMC-000	COLLETTORE ASPIRAZIONE	1	
30	12342-X01-000	GUIDA TUBO	2	
31	94050-06000	DADO FLANGIATO 6MM	2	
32	1621A-HMC-000	CARBURETOR INSULATOR ASSY	1	
33	16201-HMC-000	GUARNIZIONE COLLETTORE CARB.	1	
34	91308-HMA-000	O-RING 34*2.0	1	
35	90206-HLK-000	TAPPET ADJUSTING NUT	4	
36	90653-HMA-000	INLET PIPE BAND 48	1	
37	06414-HMC-000	FUEL INJECTOR	1	
38	06415-A5L-000	O-RING	1	
39	06416-A5L-000	SEAL-RING	1	
40	17120-HMC-000	FUEL INJECTOR CUP	1	
41	90012-HLK-000	TAPPET ADJUSTING SCREW	4	

※ Please check the color & stripe information according to the color index !  TEAMWORLD IND. 2008.02



Pictures reference only

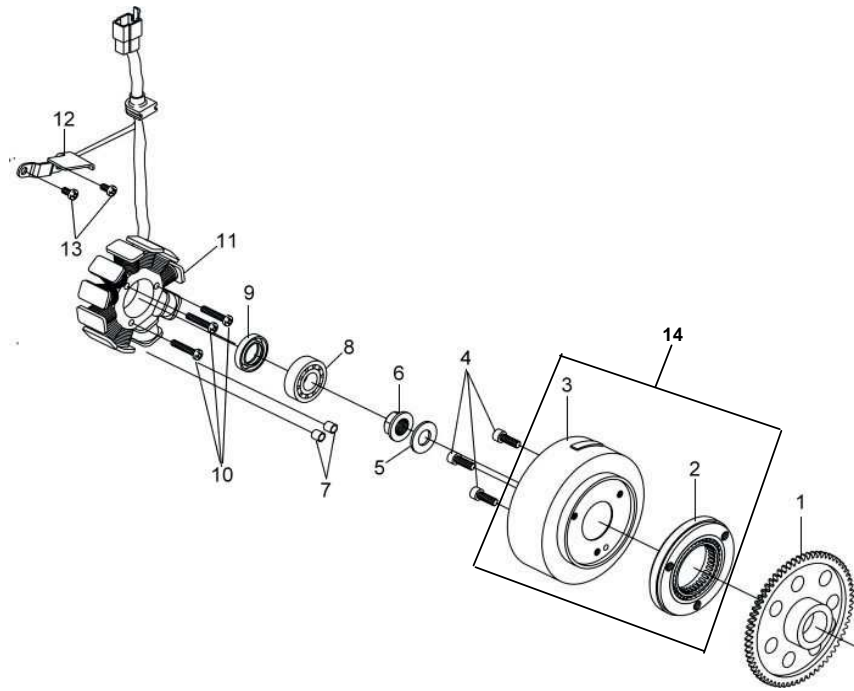
PARTS NUMBER	DESCRIPTION	QTY	EFFECTIVE DATE
1 12100-LEA-000-A	CILINDRO PISTONE & SEGMENTI	1	
2 12100-LEA-000	CILINDRO	1	
3 13101-LEA-000	PISTONE	1	
4 13010-LEA-000	SERIE SEGMENTI	1	
5 94301-12200	DOWEL PIN 12*20	2	
6 12251-LEA-000	CYLINDER HEAD GASKET	1	
7 14523-M9Q-000	GUARNIZIONE TENDICATENA DISTR.	1	
8 14520-H6T-000	TENDICATENA DISTRIBUZIONE	1	
9 90001-M9Q-000	FLANGE SHF BOLT 6X22	2	
10 14525-H6T-000	ADJUSTER SPRING	1	
11 14524-H6T-000	O-RING	1	
12 14522-H6T-000	TENSIONER ADJUSTER BOLT	1	
13 94301-12200	DOWEL PIN	2	
14 12191-HMA-000	GUARNIZIONE BASE CILINDRO	1	
15 14610-RFA-000	PATTINO GUIDA CATENA DISTRIB.	1	
16 14510-RFA-000	PATTINO TENDICATENA DISTRIBUZIONE	1	
17 14531-KJ9-000	PERNO PATTINO CATENA	1	



Pictures reference only

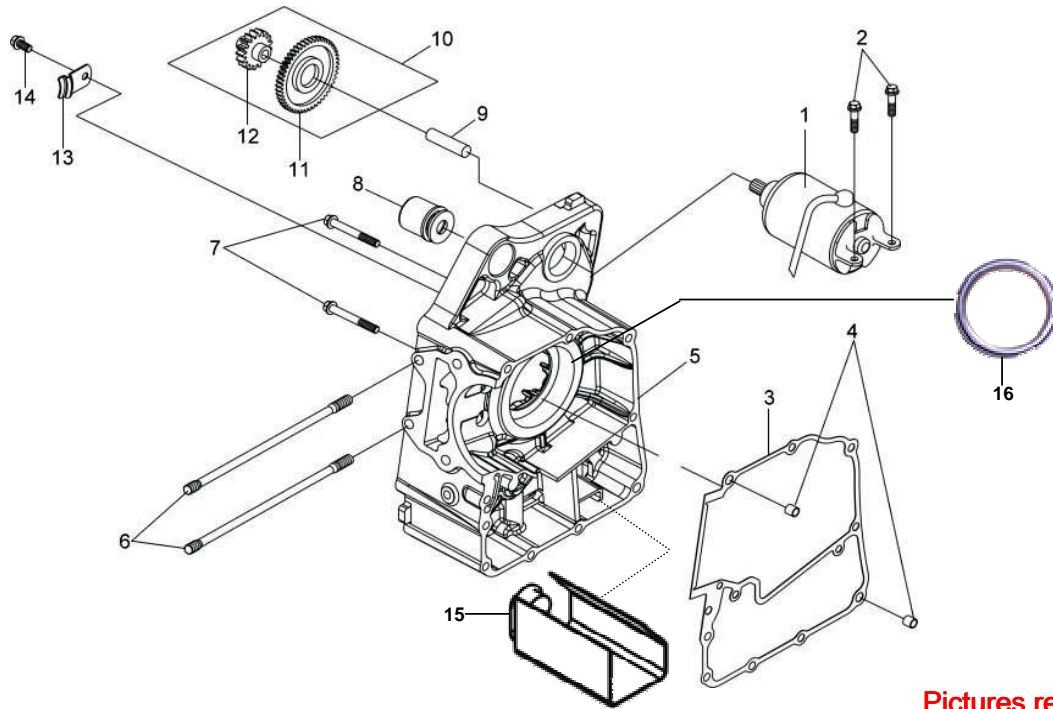
PARTS NUMBER	DESCRIPTION	QTY	EFFECTIVE DATE
1 1231A-HMA-000	COPERCHIO VALVOLE COMPLETO	1	
2 96001-06018-00	VITE FLANGIATA 6X18	3	
3 1C14401-RFA-000	CATENA DISTRIBUZIONE	1	
4 92101-06016-0H	BOLT HEX 6*16	2	
5 14105-X01-000	PIASTRINA INGR.ALBERO A CAMME	1	
6 14108-M36-000	DISCO ALBERO A CAMME	1	
7 14105-RFA-000	INGRANAGGIO ALBERO A CAMME	1	
8 91301-HMA-000	HEAD SIDE COVER O-RING	1	

※ Please check the color & stripe information according to the color index !



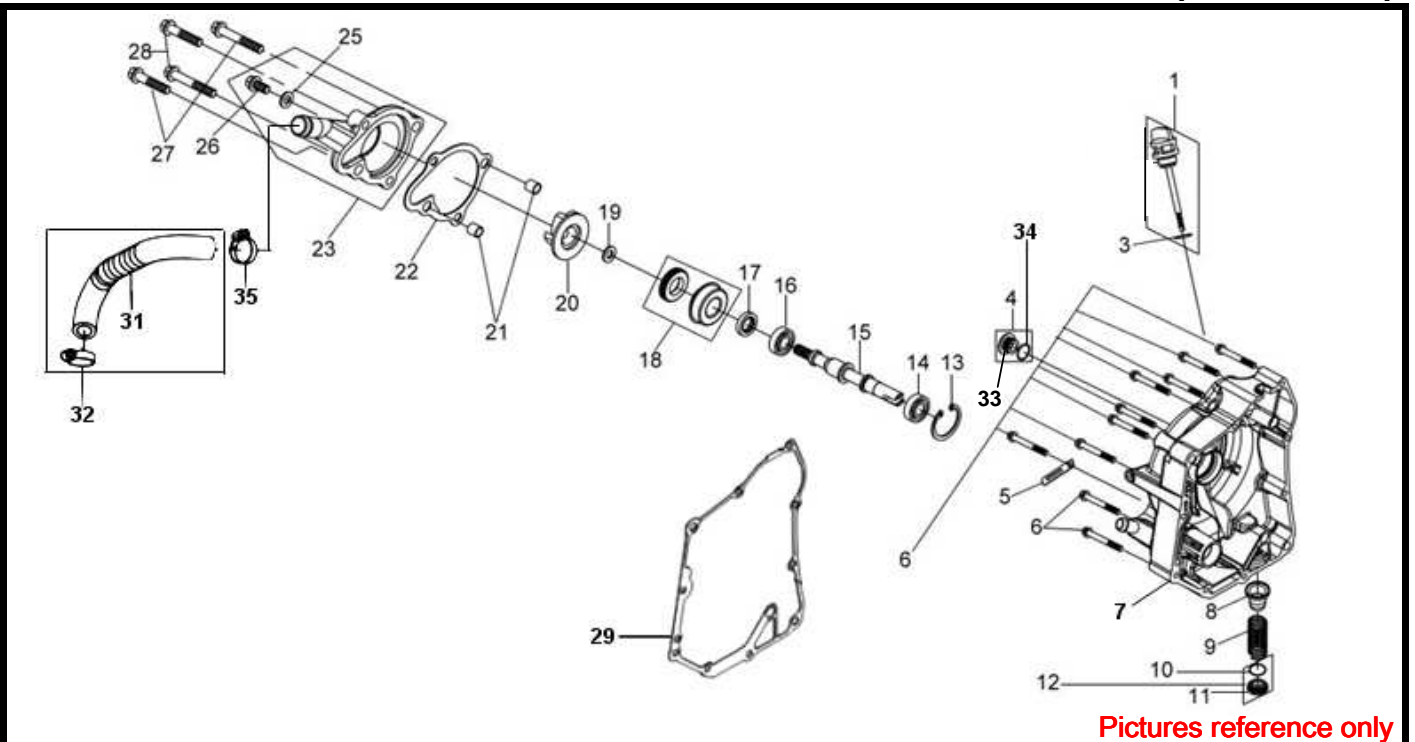
Pictures reference only

PARTS NUMBER	DESCRIPTION	QTY	EFFECTIVE DATE
1 28110-HMA-000	INGRANAGGIO RUOTA LIBERA	1	
2 2812A-HMA-000	RUOTA LIBERA COMPLETA	1	
3 31110-HMC-000	ROTORE STATORE VOLANO	1	
4 96700-08020-00	VITE BRUGOLA 8X20	3	
5 90401-KJ9-000	RONDELLA RASAMENTO 14X28X2	1	
6 90201-KR8-751-M1	DADO FLANGIATO 14MM	1	
7 94301-08140	GRANO RIFERIMENTO 8X14	2	
8 96140-62013-10	CUSCINETTO A SFERE 6201LUC3	1	
9 91202-HMA-000	PARAOLIO 12x22x5	1	
10 96001-06040-00	VITE FLANGIATA 6X40	3	
11 31120-HMC-000	STATORE VOLANO	1	
12 15713-HMC-000	OIL BAFFLEPLATE	1	
13 93500-05016-0A	VITE 5X16	2	
14 3110A-HMC-000	ROTORE STATORE VOLANO & RUOTA LIBERA	1	



Pictures reference only

PARTS NUMBER	DESCRIPTION	QTY	EFFECTIVE DATE
1 31200-HMA-000	MOTORINO AVVIAMENTO	1	
2 96001-06022-00	VITE FLANGIATA 6X22	2	
3 11191-LEA-000	GUARNIZIONE CENTRALE SEMICARTER	1	
4 94301-08140	GRANO RIFERIMENTO 8X14	2	
5 11100-LEA-000	SEMICARTER MOTORE DX	1	
6 90031-HMA-000	CYLINDER STUD BOLT A	2	
7 96001-06055-00	VITE FLANGIATA 6X55	2	
8 11120-LEA-000	SILENTBLOCK MOTORE	1	
9 28102-RB1-000	PERNO INGRANAGGIO	1	
10 28101-RB1-000	INGRANAGGIO RIDUZIONE MOTORINO AVVAIMEN	1	
11 28105-HMA-300	INGRANAGGIO RIDUZIONE MOTORINO AVVAIMEN	1	
12 28103-RB1-000	INGRANAGGIO MOTORINO AVVAIMENTO	1	
13 14151-RFA-000	GUIDA CATENA DISTRIBUZIONE	1	
14 96001-06010-08	VITE FLANGIATA 6X10	1	
15 11107-HMA-000	MAGNET PLATE	1	
16 11102-HMA-300	R. CRANK CASE BUSH 72MM	1	

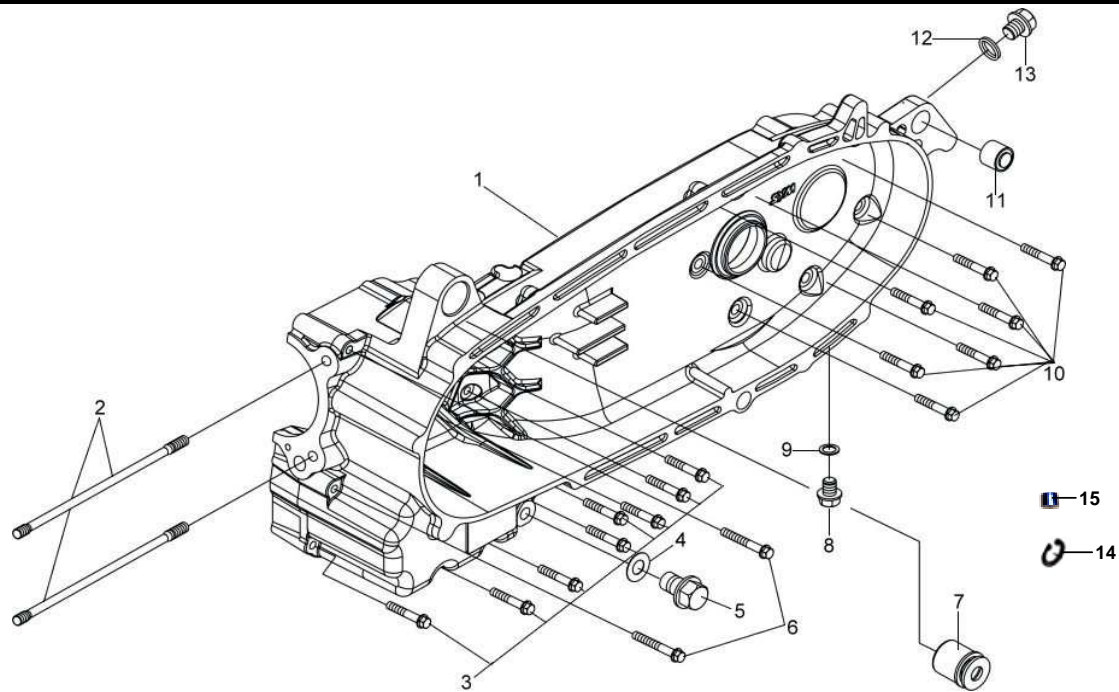


Pictures reference only

PARTS NUMBER	DESCRIPTION	QTY	EFFECTIVE DATE
1	1565A-LEA-000	1	
3	91307-M9Q-000	1	
4	9008A-H9A-000	1	
5	12342-X01-000	1	
6	96001-06045-00	10	
7	11330-LEA-000	1	
8	15421-M9Q-000	1	
9	15426-M9Q-000	1	
10	91302-M9Q-000	1	
11	12361-M9Q-000	1	
12	1236A-V02-000	1	
13	94520-26000	1	
14	96100-60000-00	1	
15	19231-HMA-000	1	
16	91001-KJ9-005	1	
17	91205-KF0-003	1	
18	19217-H9A-300	1	
19	90423-KJ9-000	1	
20	19215-HLA-000	1	
21	94301-08140	2	
22	19229-H9A-000	1	
23	1922A-HMA-000	1	
25	90478-700-000	1	
26	96001-06010-00	1	
27	96001-06032-00	2	

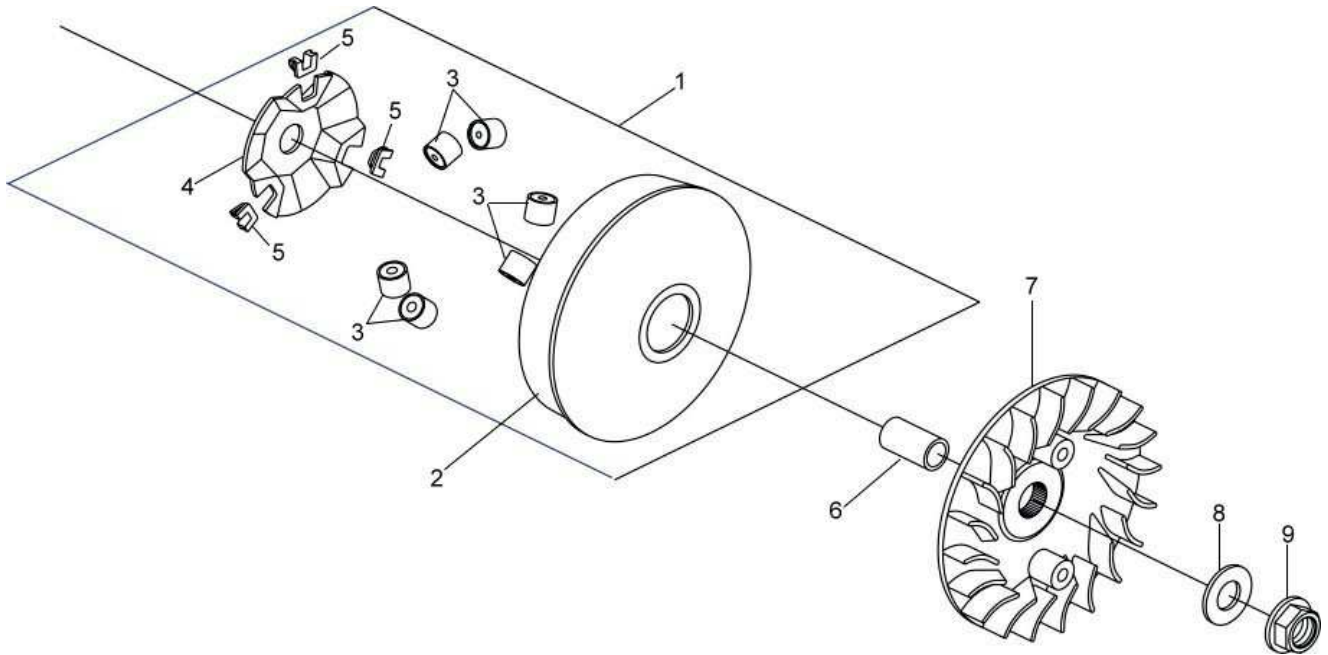
28	96001-06022-00	VITE FLANGIATA 6X22	2	
29	11394-HMA-000	GUARNIZIONE COPPA OLIO	1	
31	19604-H01-000	PROTEZIONE TUBO ACQUA SX	1	
32	1950A-LEA-000	WATER HOSE ASSY	1	
33	90084-H9A-000	A.C.GEN. CAP 14MM	1	
34	91303-M2Q-000	SOST.DA :91303377000	1	
35	19505-KS6-700	FASCETTA TUBO RADIATORE	1	

※ Please check the color & stripe information according to the color index !  TEAMWORLD IND. 2008.02



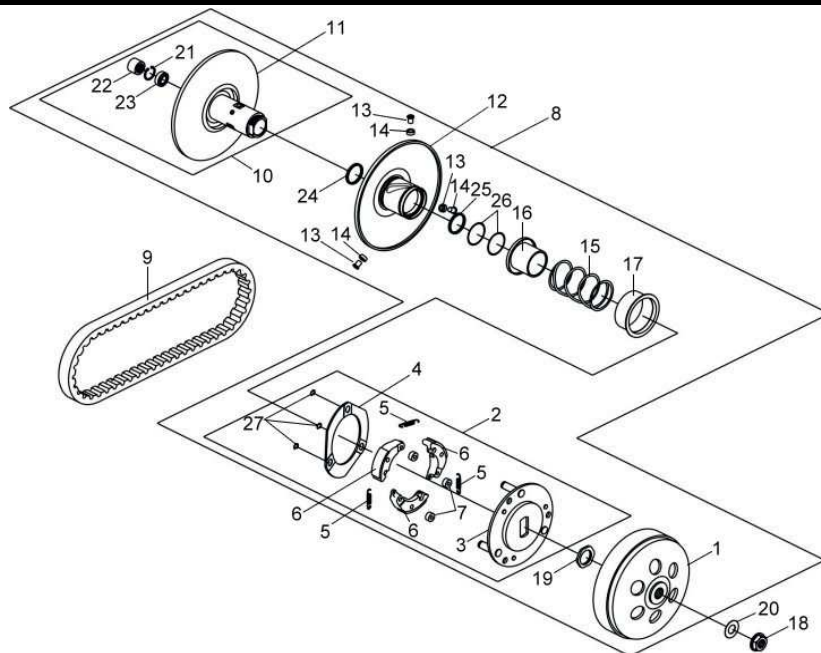
Pictures reference only

PARTS NUMBER	DESCRIPTION	QTY	EFFECTIVE DATE
1 11200-LEA-000	SEMICARTER MOTORE LATO FRIZIONE	1	
2 90032-HMA-000	CYLINDER STUD BOLT B	2	
3 96001-06050-00	VITE FLANGIATA 6X50	8	
4 94109-12000	GUARNIZIONE TAPPO DRENAGGIO OLIO M12	1	
5 92800-12000	TAPPO DRENAGGIO OLIO 12MM	1	
6 96001-06070-00	FLANGE SH BOLT 6X70	2	
7 11120-LEA-000	ENGINE HANGER BUSE ASSY	1	
8 90103-M9Q-000	SOST.DA : 90103KN8000	1	
9 90474-M9Q-000	WASHER 8X17	1	
10 95801-08050-08	FLANGE BOLT 8*50	7	
11 11203-M9Q-300	SOST.DA :11203GC7300	1	
12 90481-M9Q-100	PLAIN WASHER 10.2MM	1	
13 95701-10012-08	FLANGE BOLT 10X12	1	
14 94510-20000	ANELLO SEEGER 20MM	2	
15 11133-A1A-300	OIL ORIFICE 6X5	1	



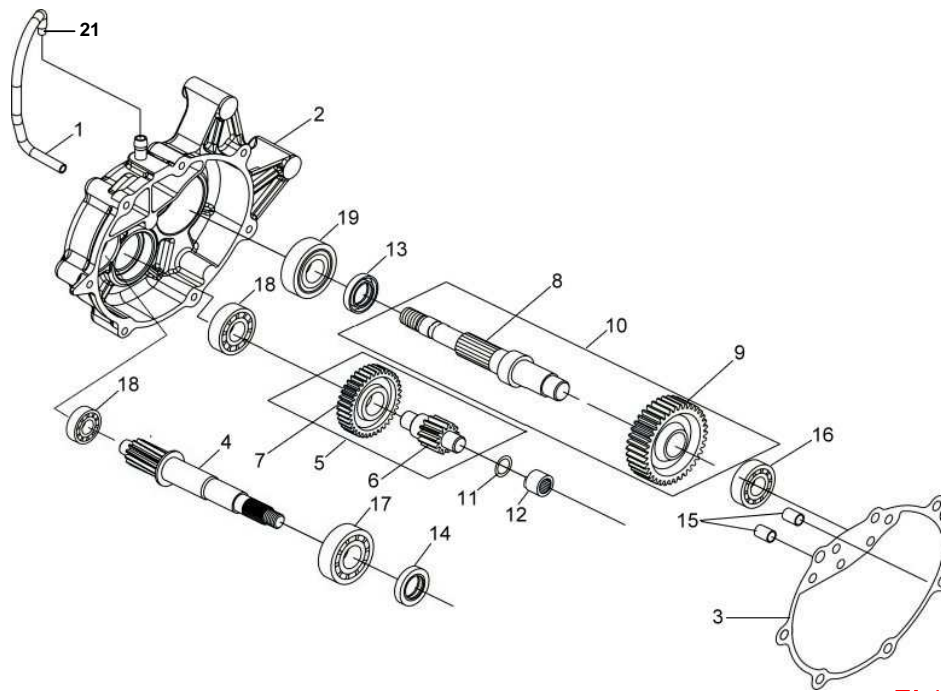
Pictures reference only

PARTS NUMBER	DESCRIPTION	QTY	EFFECTIVE DATE
1 22000-RB1-000	VARIATORE COMPLETO	1	
2 22110-HMA-000	PULEGGIA PRIMARIA MOBILE	1	
3 22121-RB1-000-A	SERIE RULLI VARIATORE	1	
4 22131-HMA-000	RAMPA RULLI PORTA TASSELLI	1	
5 22132-HMA-000-A	SERIE TASSELLI(3 pz)	1	
6 22105-HMA-000	BOCCOLA PULEGG. PRIMARIA	1	
7 22102-HMA-000	PULEGGIA PRIMARIA FISSA	1	
8 90401-KJ9-000	RONDELLA RASAMENTO 14X28X2	1	
9 90201-KR8-751-M1	DADO FLANGIATO 14MM	1	



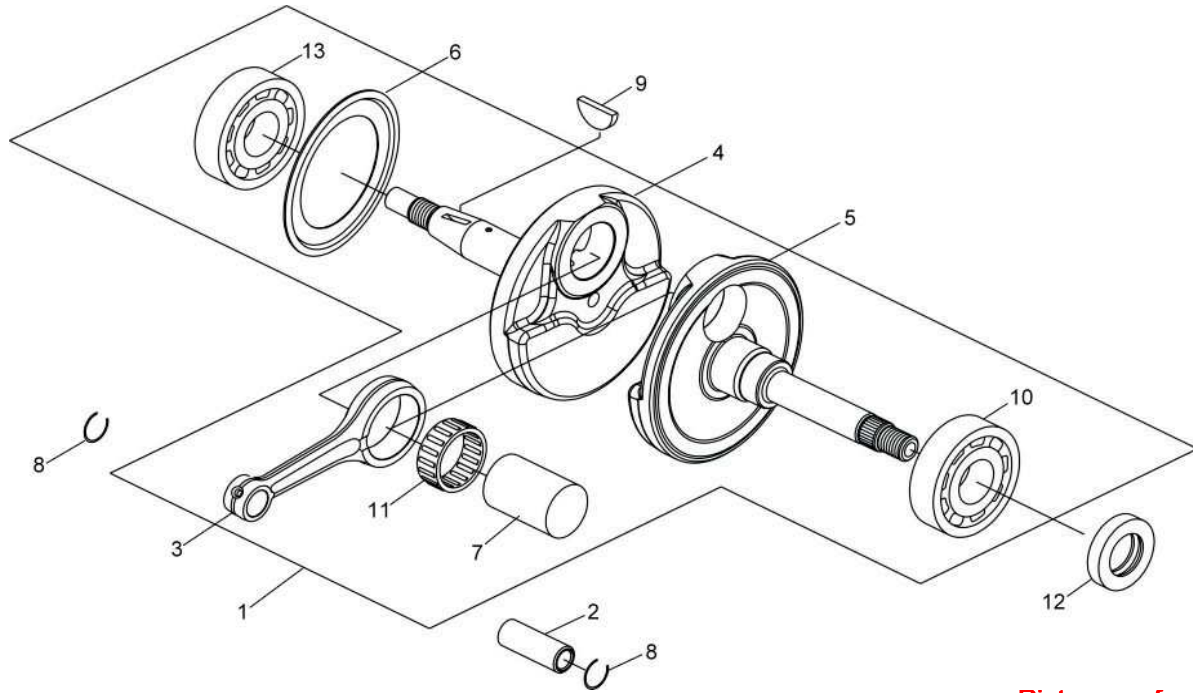
Pictures reference only

PARTS NUMBER	DESCRIPTION	QTY	EFFECTIVE DATE	
1	22101-HMA-000	CAMPANA FRIZIONE	1	
2	22300-HMB-000	FRIZIONE CENTRIFUGA	1	
3	22350-HMA-000	PIATTELLO FRIZIONE CENTRIFUGA	1	
4	22361-HMA-000	FLANGIA FRIZIONE CENTRIFUGA	1	
5	22401-HMA-000	MOLLA MASSETTA FRIZIONE	3	
6	22530-HMB-000-A	MASSETTE FRIZIONE (SET)	1	
7	22804-HMA-000	GOMMINO PARASTRAPPI	3	
8	23010-HMB-000	PULEGGIA SECONDARIA COMPLETA	1	
9	1B01LEA01	CINGHIA TRAPEZOIDALE	1	
10	23200-HMA-000	PULEGGIA SECONDARIA FISSA COMPLETA	1	
11	23210-HMA-000	PULEGGIA SECONDARIA FISSA	1	
12	23220-HMA-000	PULEGGIA SECONDARIA MOBILE	1	
13	23225-HMA-000	PERNO RULLINO GUIDA VARIATORE	3	
14	23226-HMA-000	RULLINO GUIDA VARIATORE	3	
15	23233-HMA-000	MOLLA CONTRASTO VARIATORE	1	
16	23237-HMA-000	SCODELLINO PORTAMOLLA	1	
17	23238-HMA-000	SCODELLINO PORTAMOLLA ESTERNO	1	
18	90201-KR8-751-M1	DADO FLANGIATO 14MM	1	
19	90202-HMA-000	SPECIAL NUT	1	
20	90401-KJ9-000	RONDELLA RASAMENTO 14X28X2	1	
21	90602-HMA-000	IN. CIRCLE CLIP	1	
22	91006-HMA-300	NEEDLE BREAIING HKS25*32*14	1	
23	91007-HMA-300	RADIAL BALL BRG.	1	
24	91211-HMA-000	PARAOLIO	1	
25	91211-HMA-000	PARAOLIO	1	
26	91305-HMA-000	O-RING 47*2.0	2	
27	94540-08010	E-RING	3	



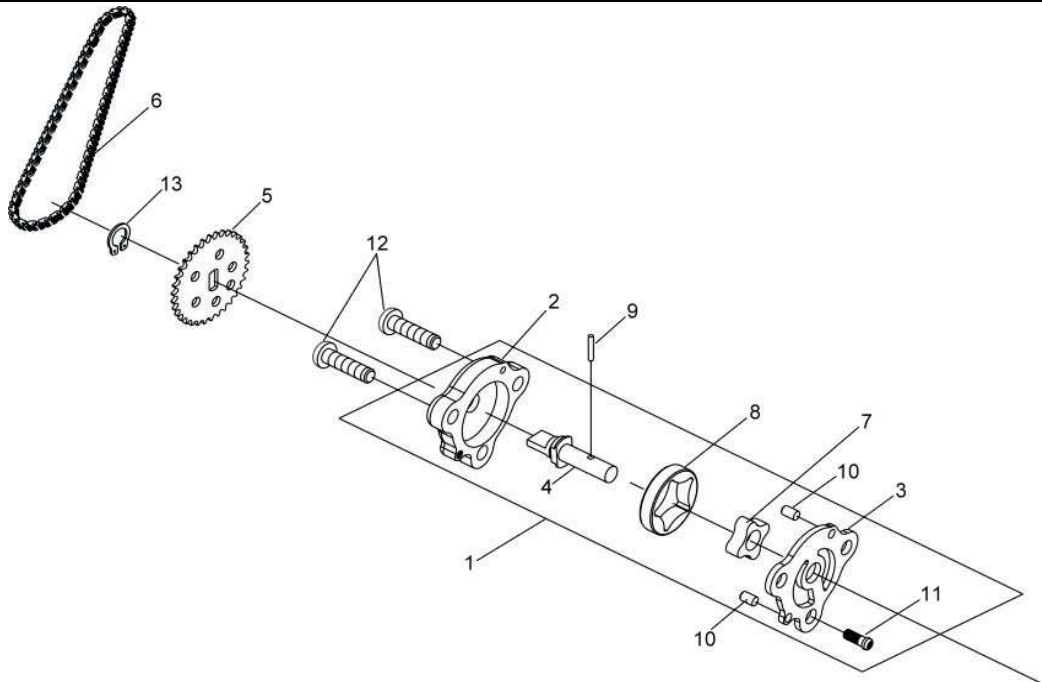
Pictures reference only

PARTS NUMBER	DESCRIPTION	QTY	EFFECTIVE DATE
1 1122A-LEA-000	MISSION BREATHER TUBE ASSY	1	
2 21200-LEA-000	COPERCHIO INGRANAGGI TRASMISSIONE	1	
3 21395-LEA-000	GUARNIZIONE COPERCHIO TRASMISSIONE	1	
4 23411-LEA-000	DRIVE SHAFT	1	
5 23420-LEA-000	COUNTER SHAFT COMP	1	
6 23421-LEA-300	COUNTER SHAFT	1	
7 23422-HMA-300	INGRANAGGIO INTERMEDIO	1	
8 23431-LEA-020	FINAL SHAFT	1	
9 23432-LEA-010	FINAL GEAR	1	
10 2343A-LEA-010	FINAL SHAFT ASSY.	1	
11 90401-HMA-000	RONDELLA RASAMENTO 15mm	1	
12 91002-HMA-000	NEEDLE BRG.	1	
13 91203-LEA-000	OIL SEAL TC32*52*7	1	
14 91204-HMA-000	PARAOLIO TC 25x40x7	1	
15 94301-08140	GRANO RIFERIMENTO 8X14	2	
16 96100-62040-10	CUSCINETTO A SFERE6204	1	
17 96100-62053-10	RADIAL BALL BRG.6205 C3	1	
18 96100-63020-00	CUSCINETTO A SFERE 6302	2	
19 96150-62050-10	CUSCINETTO A SFERE 6205LUU	1	
20 11106-B04-010	BREATHER TUBE JOINT	1	
21 15772-B06-000	BREATHER TUBE CLIP	1	



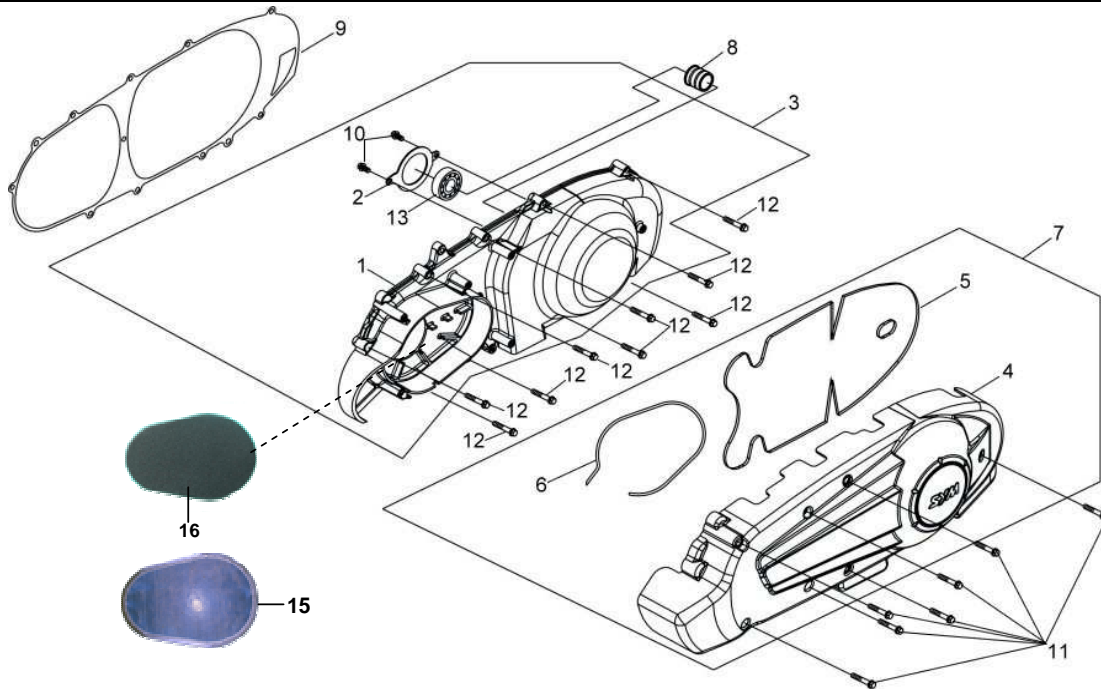
Pictures reference only

PARTS NUMBER	DESCRIPTION	QTY	EFFECTIVE DATE
1	13000-HML-010	1	
2	13111-HMA-000	1	
3	13201-HMA-000	1	
4	13311-HML-300	1	
5	13321-HMA-300	1	
6	13371-HMA-300	1	
7	13381-HMA-300	1	
8	90601-HMA-000	1	
9	90701-HB6-010	1	
10	91001-HMA-000	1	
11	91003-HML-000	1	
12	91201-HMA-300	1	
13	96100-62070-10	1	



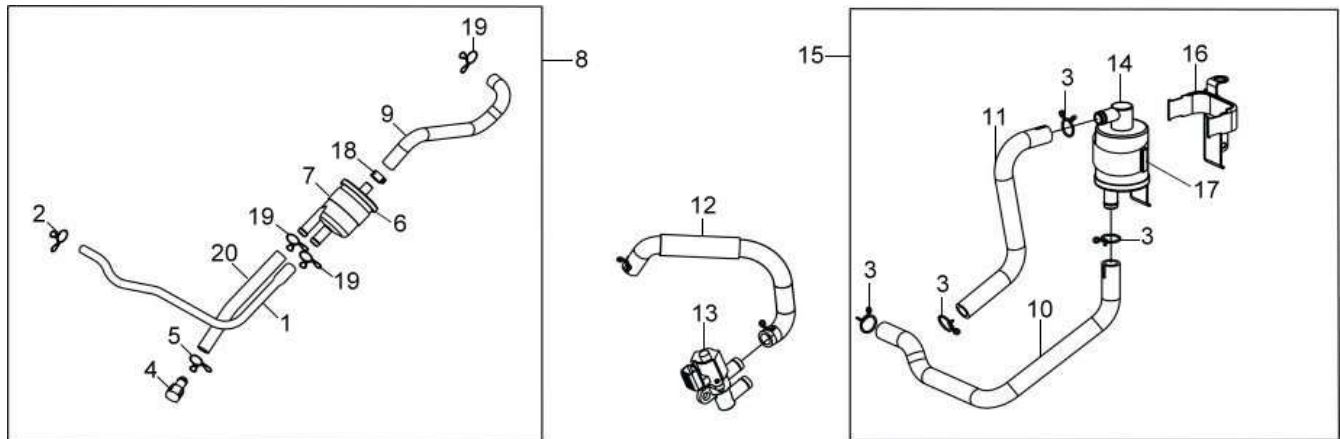
Pictures reference only

PARTS NUMBER	DESCRIPTION	QTY	EFFECTIVE DATE
1 15100-HMA-000	POMPA OLIO	1	
2 15101-HMA-000	OIL PUMP BODY COMP	1	
3 15116-HMA-000	OIL PUMP PLATE	1	
4 15132-HMA-000	ALBERO POMPA OLIO	1	
5 15133-HMA-000	PIGNONE CATENA POMPA OLIO	1	
6 1C15141-HMA-000	CATENA POMPA OLIO	1	
7 15331-HMA-000	OIL PUMP INNER ROTOR 8MM	1	
8 15332-HMA-000	OIL PUMP OUTER ROTOR 8MM	1	
9 91101-HMA-000	PIN 2.5*11.8	1	
10 91103-A3F-000	ROLLER 3*9.8	2	
11 93500-03008-1A	PAN SCREW 3X8	1	
12 93500-06025-0H	PAN SCREW	2	
13 94510-10000	ANELLO SEEGER 10MM	1	



Pictures reference only

PARTS NUMBER	DESCRIPTION	QTY	EFFECTIVE DATE
1 11341-LEA-000	COPERCHIO FRIZIONE	1	
2 11346-HMA-000	L. BEARING SETTING PLATE	1	
3 1134A-LEA-000	L CRANK CASE COVER ASSY	1	
4 11351-LEA-000	L OUTER COVER	1	
5 11352-LEA-000	L. OUTER COVER SPONGE	1	
6 11353-HMA-000	GUARNIZIONE COPER.ESTERNO	1	
7 1135A-LEA-000	L OUTER COVER ASSY	1	
8 1137A-HMA-000	BERING STAY COLLAR ASSY	1	
8-1 11371-HMA-000	BERING STAY COLLAR	1	
8-2 91303-HMA-000	O-RING 26.5X2.0	1	
9 11395-LEA-000	L COVER GASKET	1	
10 96001-06012-00	VITE FLANGIATA 6X12	2	
11 96001-06018-07	SH. FLANGE BOLT	7	
12 96001-06035-00	VITE FLANGIATA 6X35	9	
13 96150-60060-10	CUSCINETTO A SFERE 6006LLU	1	
14 11371-HMA-000	BERING STAY COLLAR	1	
15 17221-LEA-000	TRAP COMP.	1	
16 11344-HMA-000	FILTRO CARTER FRIZIONE	1	
17 91303-HMA-000	O-RING 26.5X2.0		



Pictures reference only

PARTS NUMBER	DESCRIPTION	QTY	EFFECTIVE DATE	
1	11211-LEA-010	BREATHER TUBE	1	
2	15772-500-013	MORSETTO	1	
3	17369-KB4-670	TUBE CLIP	4	
4	17370-M9Q-000	PLUG,BREATHER TUBE.	1	
5	17371-M9Q-000	BREATHER TUBE CLIP	1	
6	17380-H6A-000	BREATHER CHAMPER COMP	1	
7	17385-H6A-000	CHAMBER SETTING BAND	1	
8	1738A-LEA-000	BREATHER CHAMPER ASSY	1	
9	17562-LEA-000	P.C.V./A.C. TUBE	1	
10	17571-LEA-000	A.I.C.V. TUBE A	1	
11	17574-LEA-000	A.I.C.V.TUBE B	1	
12	17576-LEA-010	A.I.S.V.-REED VALVE JOINT TUBE	1	
13	17590-HMC-000	A.I.S.V. ASSY	1	
14	17570-HMC-000	A.I.A.C. COMP	1	
15	1757A-LEA-000	A.I.A.C. ASSY	1	
16	18659-HMA-000	A.I.C.V.STAY	1	
17	18811-N14-000	A.I.C.V. SETTING BAND	1	
18	90682-V02-900	FASCETTA 11.5	1	
19	95002-80000	TUBE CLIP C12	3	
20	95003-23032-60	V TUBE	1	