




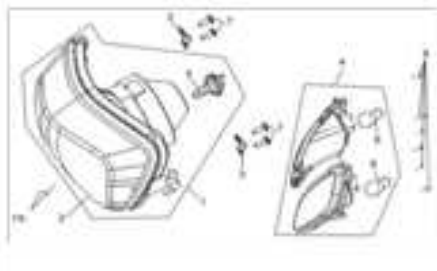

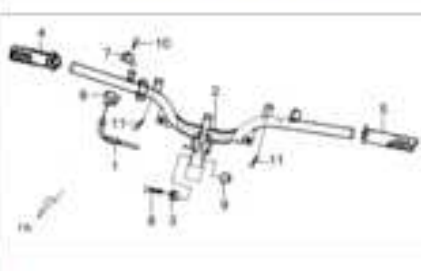
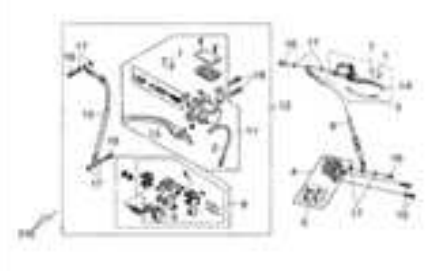



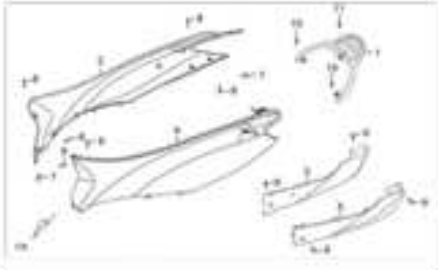
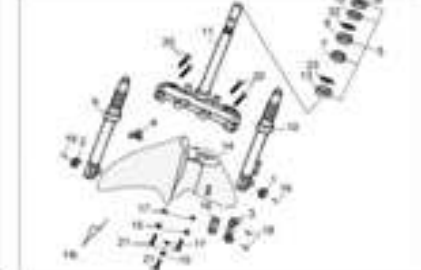

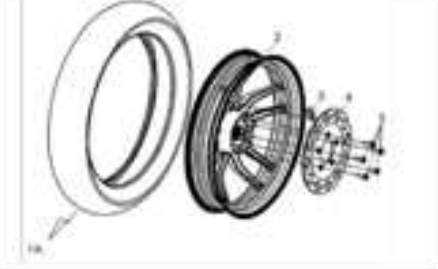
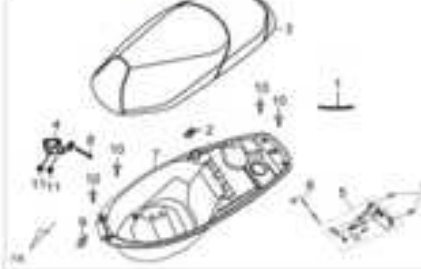


SYMPHONY 50 S (AY05W6-T) MY 2012

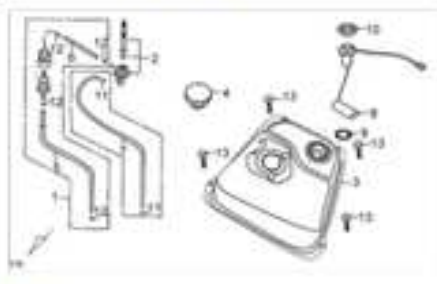



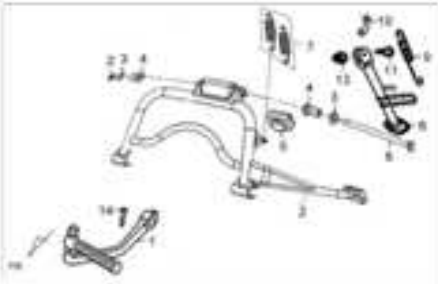
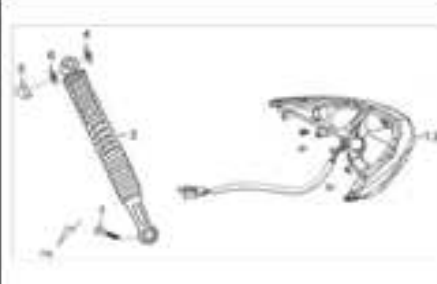

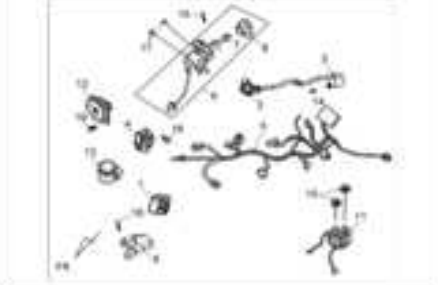

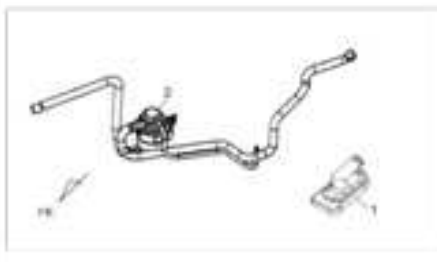


Colori		Descrizione	Codice
	NERO	BK5560	KG
	ANTRACITE	GY4195	AD
	BIANCO	WH006	WA

CONTENTS—FRAME GROUP

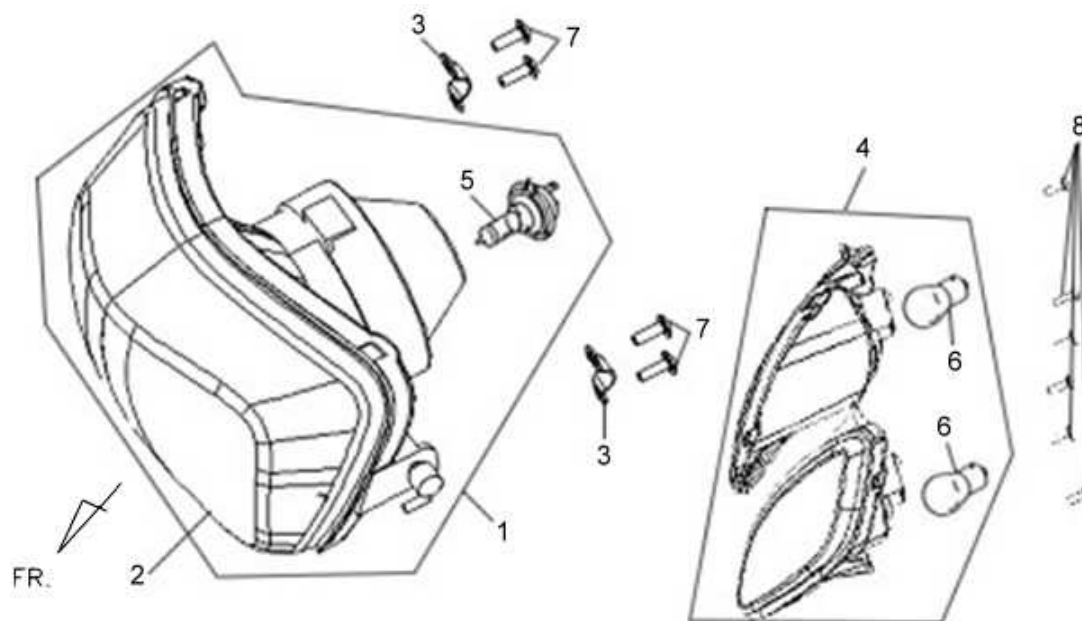
F01 HEAD LIGHT	F02 SPEEDOMETET ASS'Y	F03 STRG. HANDLE
		
F04 FR. BRAKE	F05 FR. HANDLE COVER	F06 FR. COVER
		
F07 FLOOR PLATE	F08 BODYCOVER	F09 STRG. STEM
		
F10 FR. WHEEL	F11 RR. WHEEL	F12 LUGGAGE BOX
		

CONTENTS—FRAME GROUP

<p>F13</p> <p style="text-align: center;">FUEL TANK</p> 	<p>F14</p> <p style="text-align: center;">BATTERY</p> 	<p>F15</p> <p style="text-align: center;">AIR/C</p> 
<p>F16</p> <p style="text-align: center;">EXH. MUFFLER COMP</p> 	<p>F17</p> <p style="text-align: center;">MAIN STAND</p> 	<p>F18</p> <p style="text-align: center;">TAIL LIGHT&RR. CUSHION</p> 
<p>F19</p> <p style="text-align: center;">RR. FENDER</p> 	<p>F20</p> <p style="text-align: center;">WRIER HARNESS</p> 	<p>F21</p> <p style="text-align: center;">FRAME BODY</p> 
<p>F22</p> <p style="text-align: center;">A/CV</p> 		

F01 HEAD LIGHT

AY05W6-T[SYMPHONY S 50]



Pictures reference only

PARTS NUMBER	DESCRIPTION	QTY	EFFECTIVE DATE
1 33100-APA-010	FANALE ANTERIORE	1	
2 33101-APA-010	LENTE FANALE ANTERIORE	1	
3 33107-A7A-000	STAFFA FARO ANT.	2	
4 3340A-APA-000	SET LAMPEGGIATORI ANT.DX & SX	1	
33400-APA-000	LAMPEGGIATORE DX (NO LAMP.)		
33450-APA-000	LAMPEGGIATORE SX ANT. (NO LAMP.)		
5 34901-X06-000	BULB HEAD LIGHT BULB	1	
6 34905-A8D-000	LAMPADINA LAMPEG. 12V-10W	2	
7 93903-34320	VITE AUTOFILETTANTE 4X12	4	
8 93903-35320	VITE AUTOFILETTANTE 5X16	6	

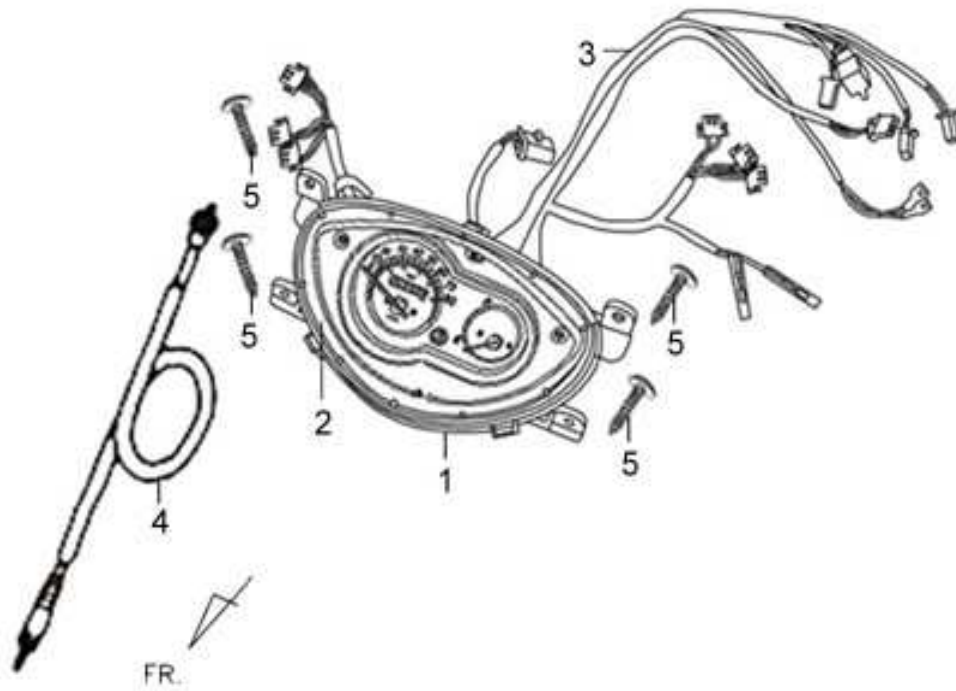
※ Please check the color & stripe information according to the color index !

TEAMWORLD IND. 2012.03

※N/A = SUBSTITUTE

※Y = EXCHANGEABLE

※N =NOT EXCHANGEABLE



Pictures reference only

PARTS NUMBER		DESCRIPTION	QTY	EFFECTIVE DATE
1	37200-APG-000	CRUSCOTTO STRUMENTI COMPLETO	1	
2	37204-ARB-000	VETRO CRUSCOTTO	1	
3	37224-APG-000	CABLAGGIO STRUMENTO	1	
4	44830-APA-001	TRASMISSIONE TACHIMETRO	1	
5	93903-35320	VITE AUTOFILETTANTE 5X16	4	

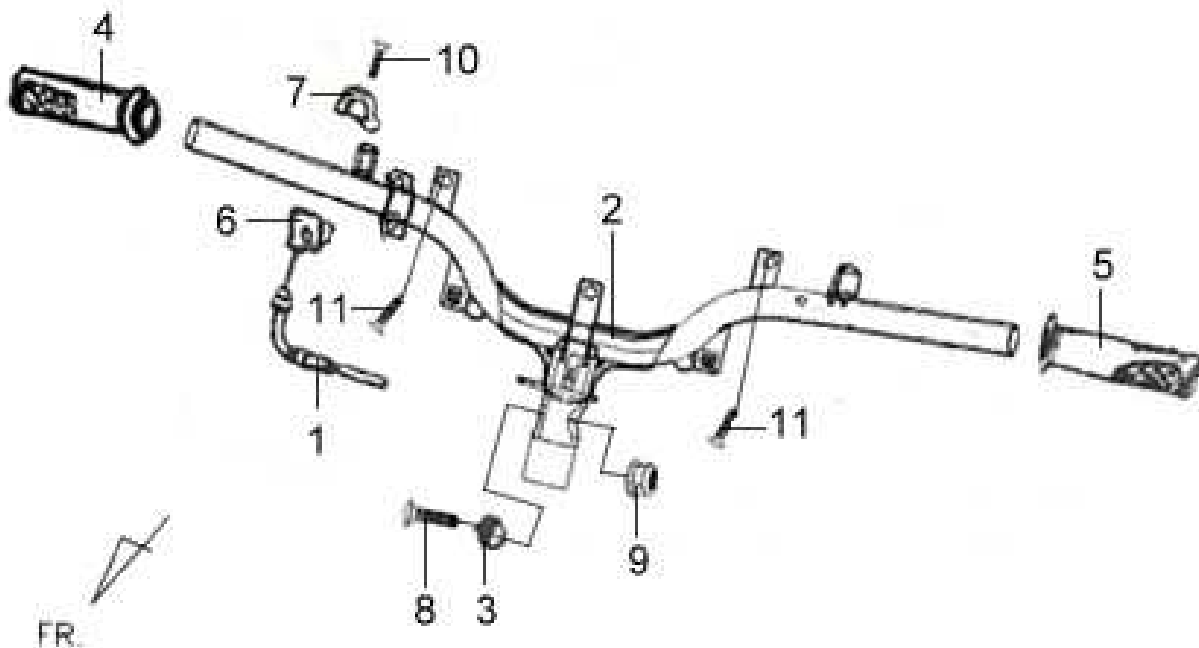
※ Please check the color & stripe information according to the color index !

TEAMWORLD IND. 2012.03

※N/A = SUBSTITUTE

※Y = EXCHANGEABLE

※N =NOT EXCHANGEABLE



Pictures reference only

PARTS NUMBER	DESCRIPTION	QTY	EFFECTIVE DATE
1 17910-Z6A-000	TRASMISSIONE GAS	1	
2 53100-ARB-000	MANUBRIO	1	
3 53125-M9Q-A00-M1	HANDLE SET COLLAR	1	
4 53140-S1F-H00	COMANDO GAS	1	
5 53166-S1F-H00	MANOPOLA SX	1	
6 53167-H09-900	GUSCIO INFERIORE COMANDO GAS	1	
7 53168-H09-000	GUSCIO SUPERIORE COMANDO	1	
8 90106-ABA-000	VITE FLANGIATA 10X55	1	
9 90304-M9Q-000	DADO AUTOBLOCCANTE 10MM	1	
10 93500-05025-08	PAN SECREW 5X25	1	
11 93891-05018-07	WASHER SCREW 5X18	2	

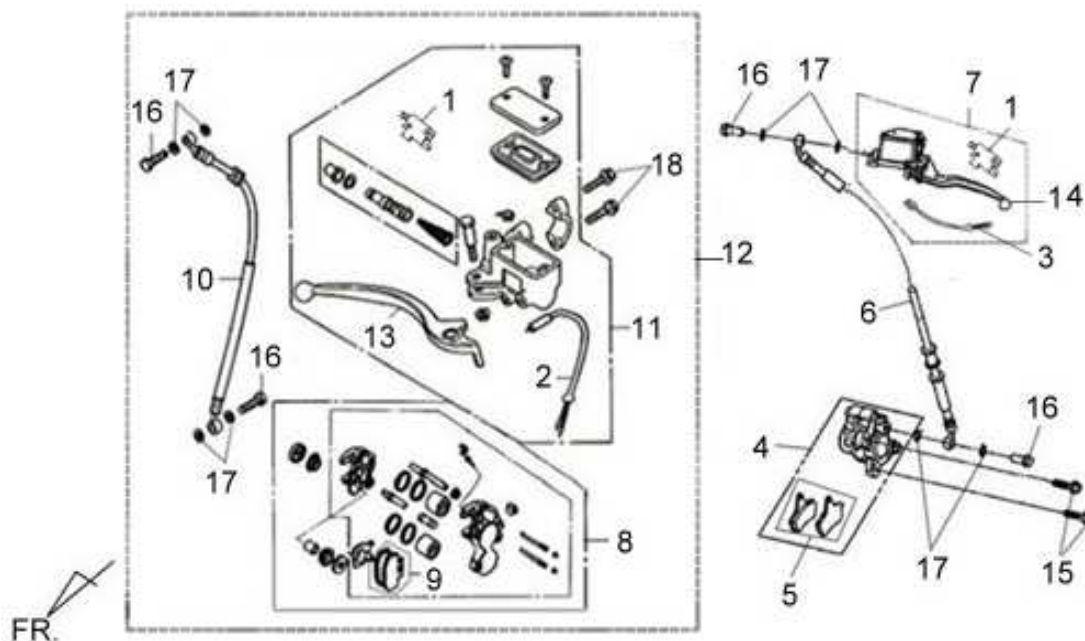
※ Please check the color & stripe information according to the color index !

TEAMWORLD IND. 2012.03

※N/A = SUBSTITUTE

※Y = EXCHANGEABLE

※N =NOT EXCHANGEABLE



Pictures reference only

PARTS NUMBER	DESCRIPTION	QTY	EFFECTIVE DATE
1 35340-ARB-000	INTERRUTTORE STOP DX/SX SWITCH	2	
2 35340-M92-000	INTERRUTTORE STOP (CAVO)	1	
3 35342-M9Q-000	INTERRUTTORE STOP (CAVO)	1	
4 43100-ARB-000	PINZA FRENO POSTERIORE	1	
5 43105-ARB-000-A	COPPIA PAST.FRENO POST.AY12W1T	1	
6 43126-APG-000	TUBO OLIO FRENO POST.	1	
7 43500-ARB-000	POMPA FRENO POSTERIORE	1	
8 45100-APA-000	PINZA FRENO ANTERIORE	1	
9 45105-APA-000-A	COPPIA PAST.FRENO = 45105HKF000A	1	
10 45126-APA-000	TUBO OLIO FRENO ANTERIORE	1	
11 45500-AAG-000	IMPIANTO FRENO ANTERIORE	1	
12 4550A-APA-000	IMPIANTO FRENO ANTERIORE	1	
13 53175-AAA-000	LEVA FRENO ANT.DX CROMATA	1	
14 53178-ARB-000	LEVA FRENO ANTERIORE SX	1	
15 90131-ARB-000	VITE FLANGIATA 8X35	2	
16 90145-MS9-611	VITE 10X22 RACCORDO TUBO OLIO	4	
17 90545-M9Q-000	RONDELLA TUBO OLIO	8	
18 95801-06022-07	FLANGE BOLT 6X22	2	

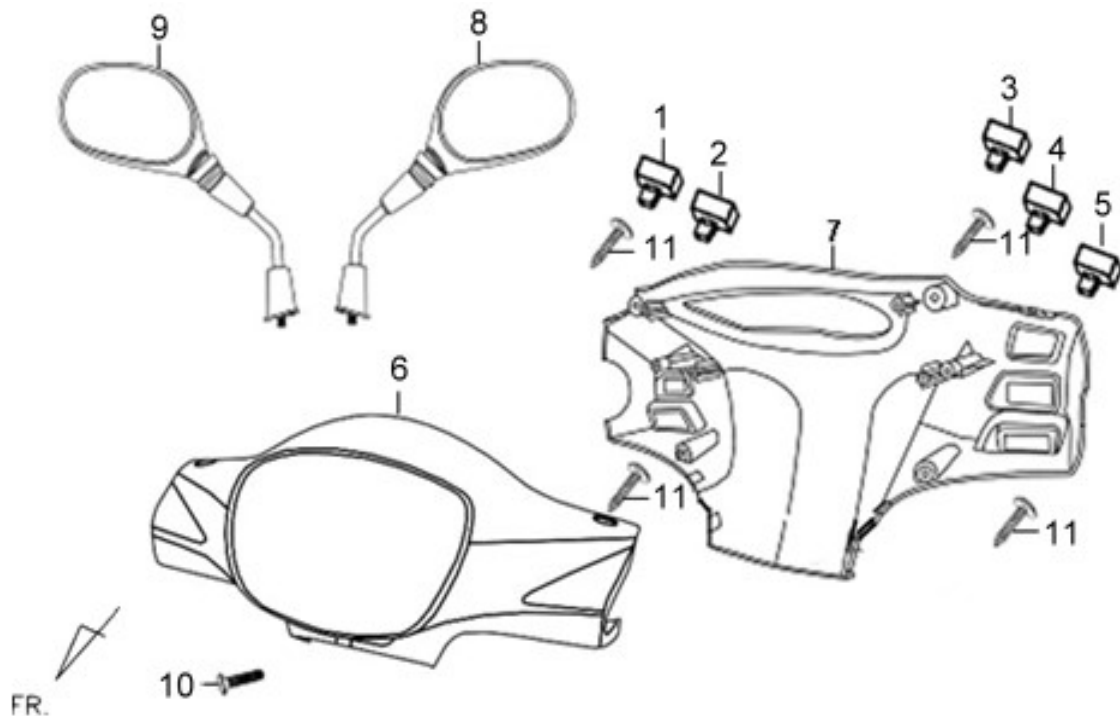
※ Please check the color & stripe information according to the color index !

STEAMWORLD IND. 2012.03

※N/A = SUBSTITUTE

※Y = EXCHANGEABLE

※N =NOT EXCHANGEABLE



Pictures reference only

PARTS NUMBER	DESCRIPTION	QTY	EFFECTIVE DATE
1 35150-M9F-A00	INTERRUTTORE LUCI	1	
2 35160-M9Q-000	PULSANTE AVVIAMENTO	1	
3 35170-M9Q-000	COMMUTATORE LUCI PASS	1	
4 35180-M9Q-000	PULSANTE CLAXON	1	
5 35200-M9Q-000	COMMUTATORE LAMPEGGIATORI	1	
6 53205-APA-000-WA	COPRIMANUBRIO ANT. BIANCO WH-006	1	
6 53205-APA-000-KG	COPRIMANUBRIO ANT. NERO BK-5560	1	
6 53205-APA-000-AD	COPRIMANUBRIO ANT. ANTRACITE GY-4195	1	
7 53206-APA-000	COPRIMANUBRIO POSTERIORE	1	
8 88110-APA-000	SPECCHIO DX	1	
9 88120-APA-000	SPECCHIO SX	1	
10 90101-KAA-000	ADJUST BOLT4*14	1	
11 93903-34320	VITE AUTOFILETTANTE 4X12	4	

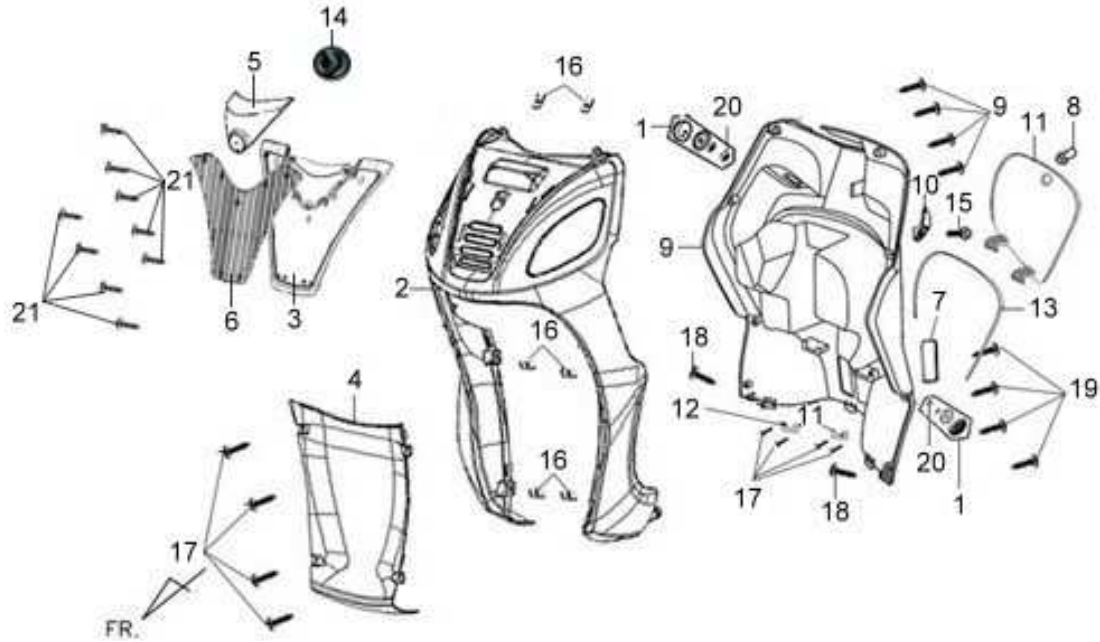
※ Please check the color & stripe information according to the color index !

TEAMWORLD IND. 2012.03

※N/A = SUBSTITUTE

※Y = EXCHANGEABLE

※N =NOT EXCHANGEABLE



Pictures reference only

PARTS NUMBER	DESCRIPTION	QTY	EFFECTIVE DATE
1	33742-AKA-000	R. REFLEX REFLECTOR ASSY	2
2	64301-APA-010-WA	SCUDO ANT. BIANCO WH-006	1
2	64301-APA-010-KG	SCUDO ANT. NERO BK-5560	1
2	64301-APA-010-AD	SCUDO ANT. ANTRACITE GY-4195	1
3	64302-AR1-000	COPERCHIO INFER.GRIGLIA	1
4	64303-APA-000-WA	COPERCHIO SPOILER INF. BIANCO WH-006	1
4	64303-APA-000-KG	COPERCHIO SPOILER INF. NERO BK-5560	1
4	64303-APA-000-AD	COPERCHIO SPOILER INF. ANTRACITE GY-4195	1
5	64303-AR1-000	COPERCHIO SCUDO SUP.	1
6	64304-AR1-000	GRIGLIA SCUDO	1
7	64318-ALA-000-BK	FRAME NUMBER LID	1
8	77233-M9Q-900	SERRATURA SPORTELLA BAULETTO	1
9	81131-APA-000	SCUDO INTERNO	1
10	81132-M7Q-000	GANCIO PORTABORSA	1
11	81141-APA-000	SPORTELLA SCUDO INTERNO	1
12	81142-APA-000	R. INNER BOX LID	2
13	81146-APA-000	GUARNIZIONE SPORTELLA BAULETTO	1
14	87553-VS1-100	FR.COVER LID EMBLEM	1
15	90115-G02-000	VITE FLANGIATA 6X16	1
16	90308-X04-000	FLANGE SPECIAL NUT 10MM	6
17	93903-34320	VITE AUTOFILETTANTE 4X12	8
18	93903-34420	TAPPING SCREW 4X16	2
19	93903-35320	VITE AUTOFILETTANTE 5X16	8
20	94050-06080	DADO FLANGIATO 6MM	2
21	96001-06010-08	VITE FLANGIATA 6X10	9

※ Please check the color & stripe information according to the color index !

TEAMWORLD IND. 2012.03

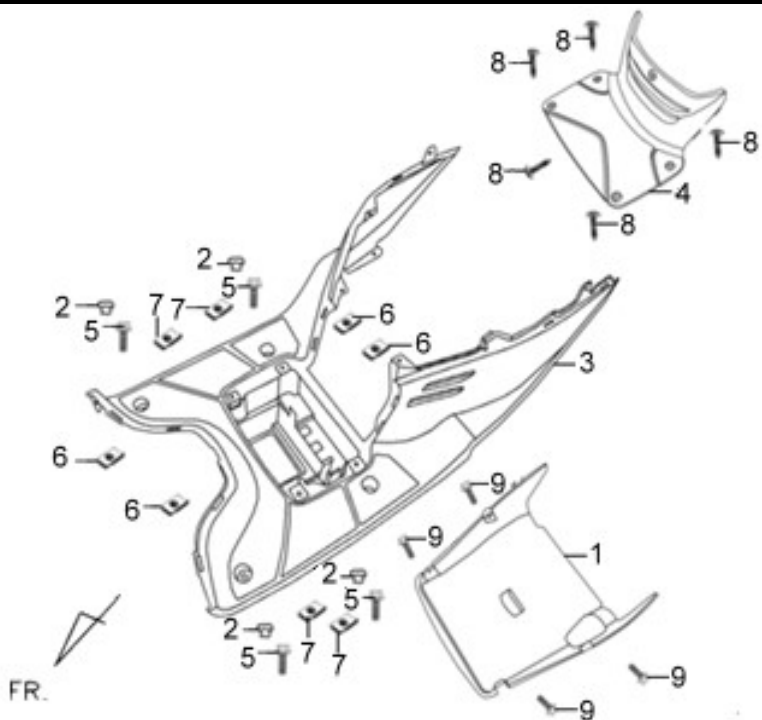
※N/A = SUBSTITUTE

※Y = EXCHANGEABLE

※N =NOT EXCHANGEABLE

F07 FLOOR PLATE

AY05W6-T[SYMPHONY S 50]



Pictures reference only

PARTS NUMBER		DESCRIPTION	QTY	EFFECTIVE DATE
1	50611-APA-000	COPERCHIO INFERIORE	1	
2	50612-F02-010	TAPPO	4	
3	64310-APA-000	PAVIMENTO	1	
4	80153-APA-000	SPORTELLO ISPEZIONE	1	
5	90111-AAA-000	VITE FLANGIATA 6MM	4	
6	90302-SA4-900	SPRING NUT 4MM	4	
7	90308-X04-900	SPRING NUT 5MM	4	
8	93903-35320	VITE AUTOFILETTANTE 5X16	5	
9	95801-06016-08	FLANGE BOLT 6X16	4	

※ Please check the color & stripe information according to the color index !

 **STEAMWORLD IND. 2012.03**

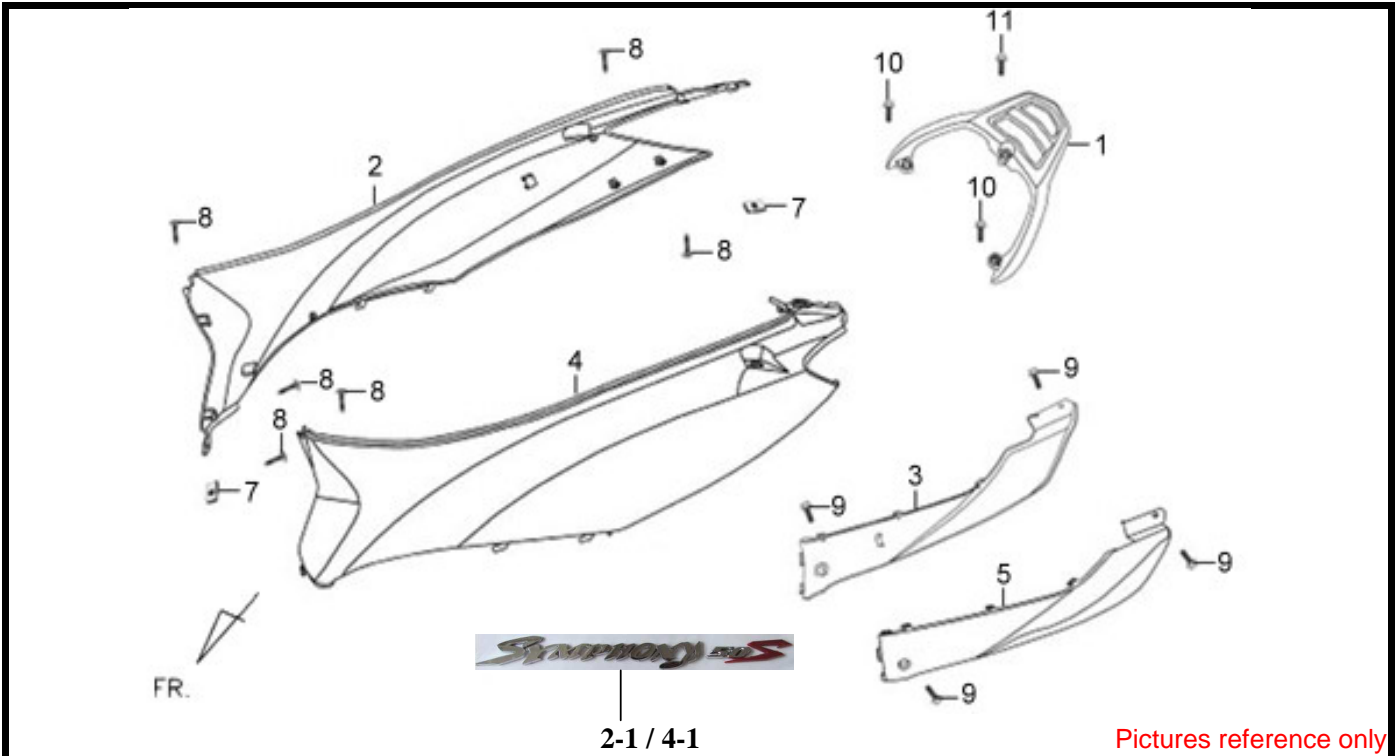
※N/A = SUBSTITUTE

※Y = EXCHANGEABLE

※N =NOT EXCHANGEABLE

F08 BODY COVER

AY05W6-T[SYMPHONY S 50]



Pictures reference only

PARTS NUMBER	DESCRIPTION	QTY	EFFECTIVE DATE
1 81200-APA-000	PORTAPACCHI	1	
2 83500-APA-000-WA	FIANCHETTO DX BIANCO WH-006	1	
2 83500-APA-000-KG	FIANCHETTO DX NERO BK-5560	1	
2 83500-APA-000-AD	FIANCHETTO DX ANTRACITE GY-4195	1	
2-1 87127-AP1-000	ADES.FIANC.SYMPHONY 50S (MY12)	1	
3 83520-APA-000-WA	FIANCHETTO INF.DX BIANCO WH-006	1	
3 83520-APA-000-KG	FIANCHETTO INF.DX NERO BK-5560	1	
3 83520-APA-000-AD	FIANCHETTO INF.DX ANTRACITE GY-4195	1	
4 83600-APA-000-WA	FIANCHETTO SX BIANCO WH-006	1	
4 83600-APA-000-KG	FIANCHETTO SX NERO BK-5560	1	
4 83600-APA-000-AD	FIANCHETTO SX ANTRACITE GY-4195	1	
4-1 87128-AP1-000	ADES.FIANC.SYMPHONY 50S (MY12)	1	
5 83620-APA-000-WA	FIANCHETTO INF. SX BIANCO WH-006	1	
5 83620-APA-000-KG	FIANCHETTO INF. SX NERO BK-5560	1	
5 83620-APA-000-AD	FIANCHETTO INF. SX ANTRACITE GY-4195	1	
7 90308-X04-900	SPRING NUT 5MM	2	
8 93903-34320	VITE AUTOFILETTANTE 4X12	6	
9 95801-06016-00	FLANGE BOLT 6X16	4	
10 95801-08035-00	FLANGE BOLT 8X35	2	
11 95801-08045-00	FLANGE BOLT 8X45	1	

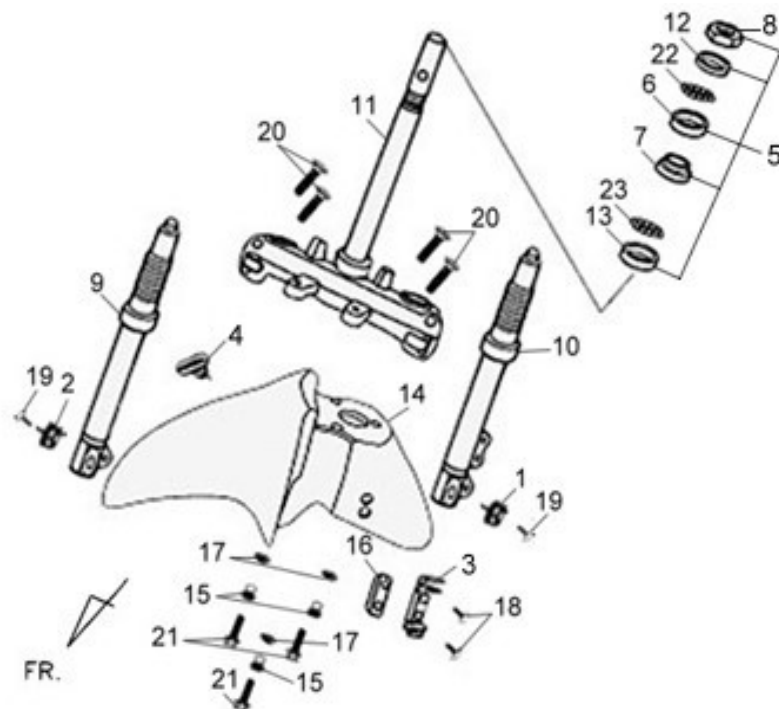
※ Please check the color & stripe information according to the color index !

TEAMWORLD IND. 2012.03

※N/A = SUBSTITUTE

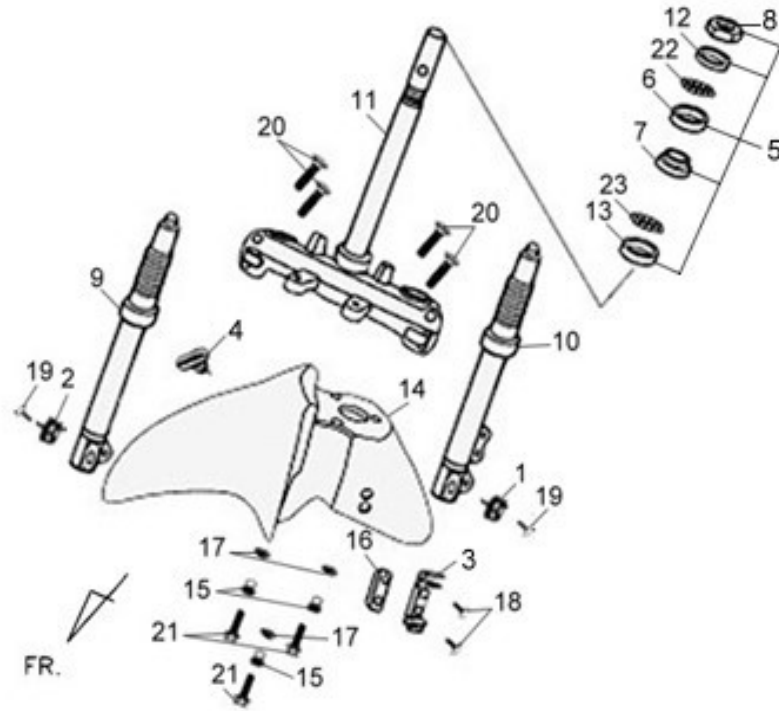
※Y = EXCHANGEABLE

※N =NOT EXCHANGEABLE



Pictures reference only

PARTS NUMBER	DESCRIPTION	QTY	EFFECTIVE DATE
1 44314-N7B-E10	TAPPO SX PERNO RUOTA ANT.	1	
2 44315-N7B-E10	TAPPO DX PERNO RUOTA ANT.	1	
3 45156-A6A-000	GUIDA TUBO OLIO FRENO	1	
4 45451-N02-000	GUIDA CAVO	1	
5 50300-M9Q-A00	SERIE STERZO	1	
6 50301-M9Q-000	PISTA STERZO SUPERIORE	1	
7 50302-M9Q-000	PISTA STERZO INFERIORE	1	
8 50306-M9Q-000	DADO CANNOTTO	1	
9 51400-APA-010	GAMBA FORCELLA DX COMPLETA	1	
9-1 51445-AAA-000	SOFFIETTO STELO	1	
9-2 51403-APA-000	PARAOLIO FORCELLA	2	
9-3 51405-APA-000	STOPPER RING B	1	
9-4 51410-APA-000	FR.CUSHION PIPE	1	
10 51500-APA-010	GAMBA FORCELLA SX COMPLETA	1	
10-1 51445-AAA-000	SOFFIETTO STELO	1	
10-2 51403-APA-000	PARAOLIO FORCELLA	2	
10-3 51405-APA-000	STOPPER RING B	1	
10-4 51410-APA-000	FR.CUSHION PIPE	1	
11 53200-APG-000	PIASTRA FORCELLA INFERIORE	1	
12 53211-M9Q-000	PISTA DI STERZO	1	
13 53212-M9Q-000	PISTA DI STERZO	1	
14 61101-APG-000-WA	PARAFANGO ANT. BIANCO WH-006	1	
14 61101-APG-000-KG	PARAFANGO ANT. NERO BK-5560	1	
14 61101-APG-000-AD	PARAFANGO ANT. ANTRACITE GY-4195	1	
15 61104-APA-000	FR. FENDER RUBBER	3	



Pictures reference only

PARTS NUMBER	DESCRIPTION	QTY	EFFECTIVE DATE
16 61105-APA-000	FR. BRAKE HOSE CLAMP STAY	1	
17 61201-APA-000	DISTANZIALE PARAF.ANT.	3	
18 90115-G02-000	VITE FLANGIATA 6X16	2	
19 93600-04008-17	FLAT SCREW 4*8	2	
20 95801-08040-00	VITE FLANGIATA 8X40	4	
21 96001-06020	VITE FLANGIATA 6X20	3	
22 96211-05000	SFERA # 5	26	
23 96211-08000	SFERA 8MM(1/4" BALL)	19	

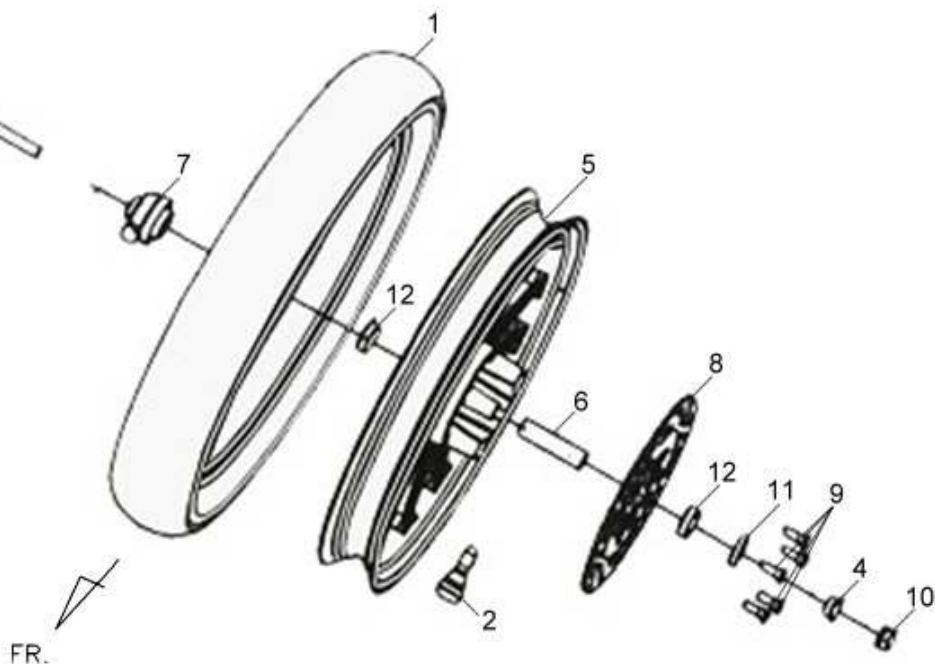
※ Please check the color & stripe information according to the color index !

TEAMWORLD IND. 2012.03

※N/A = SUBSTITUTE

※Y = EXCHANGEABLE

※N =NOT EXCHANGEABLE



Pictures reference only

PARTS NUMBER	DESCRIPTION	QTY	EFFECTIVE DATE
1 1T011107016-XS	PNEUMATICO 110/70-16 52P (CST)	1	
2 42753-ABA-000	VALVOLA PNEUMATICO	1	
3 44301-APG-900	FR WHEEL AXLE	1	
4 44311-AAA-000	DISTANZIALE PERNO RUOTA ANT.	1	
5 44601-APG-000	CERCHIO RUOTA ANTERIORE	1	
6 44620-APG-000	DISTANZIALE INTERNO RUOTA	1	
7 44800-APA-010	SPDMT.GEAR BOX	1	
8 45121-M67-900-XS	DISCO FRENO ANTERIORE	1	
9 90105-KR3-000	VITE BRUGOLA 8X24 DISCO FRENO	5	
10 90306-N7C-000	SELF LOCK NUT 12MM	1	
11 90754-M9Q-000	PARAPOLVERE 20X32X5	1	
12 90912-M9Q-000-M1	CUSCINETTO A SFERE 6201TU/2A	2	

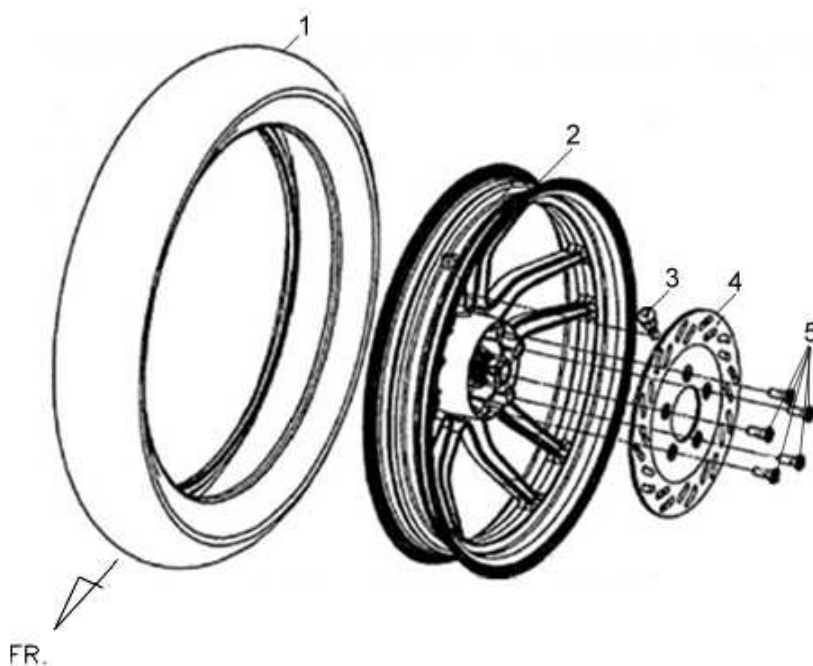
※ Please check the color & stripe information according to the color index !

TEAMWORLD IND. 2012.03

※N/A = SUBSTITUTE

※Y = EXCHANGEABLE

※N =NOT EXCHANGEABLE



Pictures reference only

PARTS NUMBER	DESCRIPTION	QTY	EFFECTIVE DATE
1 1T011107016-XS	PNEUMATICO 110/70-16 52P (CST)	1	
2 42601-ARB-010	CERCHIO RUOTA POSTERIORE	1	
3 42753-ABA-000	VALVOLA PNEUMATICO	1	
4 45121-M67-900-XS	DISCO FRENO ANTERIORE	1	
5 90105-KR3-000	VITE BRUGOLA 8X24 DISCO FRENO	5	

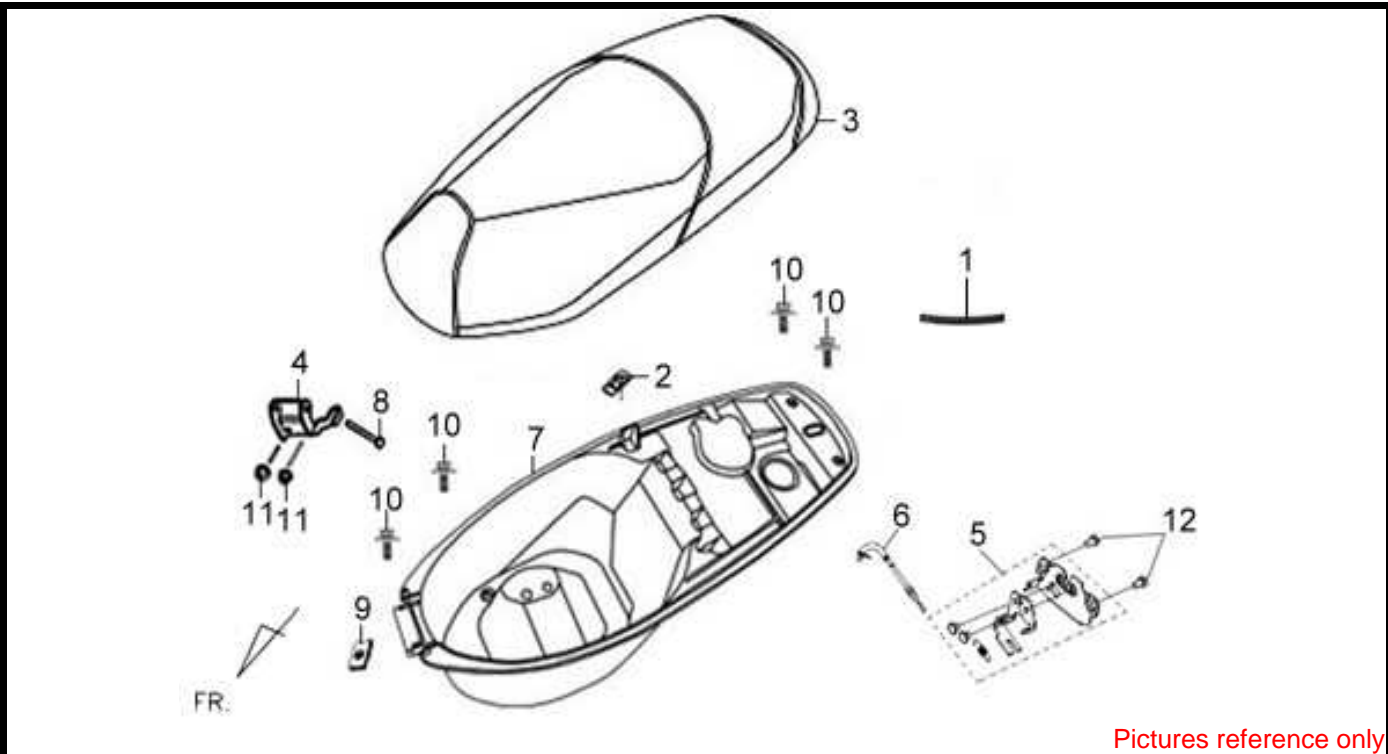
※ Please check the color & stripe information according to the color index !

TEAMWORLD IND. 2012.03

※N/A = SUBSTITUTE

※Y = EXCHANGEABLE

※N =NOT EXCHANGEABLE



Pictures reference only

PARTS NUMBER	DESCRIPTION	QTY	EFFECTIVE DATE
1 17508-X3A-000	WASTER FUEL TUBE	1	
2 36600-A1A-010	INTERRUTT.LUCE VANO SOTTOSELLA	1	
3 77200-APA-010	SELLA	1	
4 77201-HHA-000	CERNIERA SELLA	1	
5 77230-APA-000	SEAT CATCH	1	
6 77240-APA-000	CAVO APERTURA SELLA	1	
7 81250-APA-000	VANO SOTTOSELLA	1	
8 90105-HHA-000	SEAT HINGE SCREW	1	
9 90305-M9Q-000	DADO A CLIP 6MM	1	
10 93404-06012-07	WASHER BOLT 6X12	4	
11 94050-06000	DADO FLANGIATO 6MM	2	
12 96001-06010-08	VITE FLANGIATA 6X10	2	

※ Please check the color & stripe information according to the color index !

TEAMWORLD IND. 2012.03

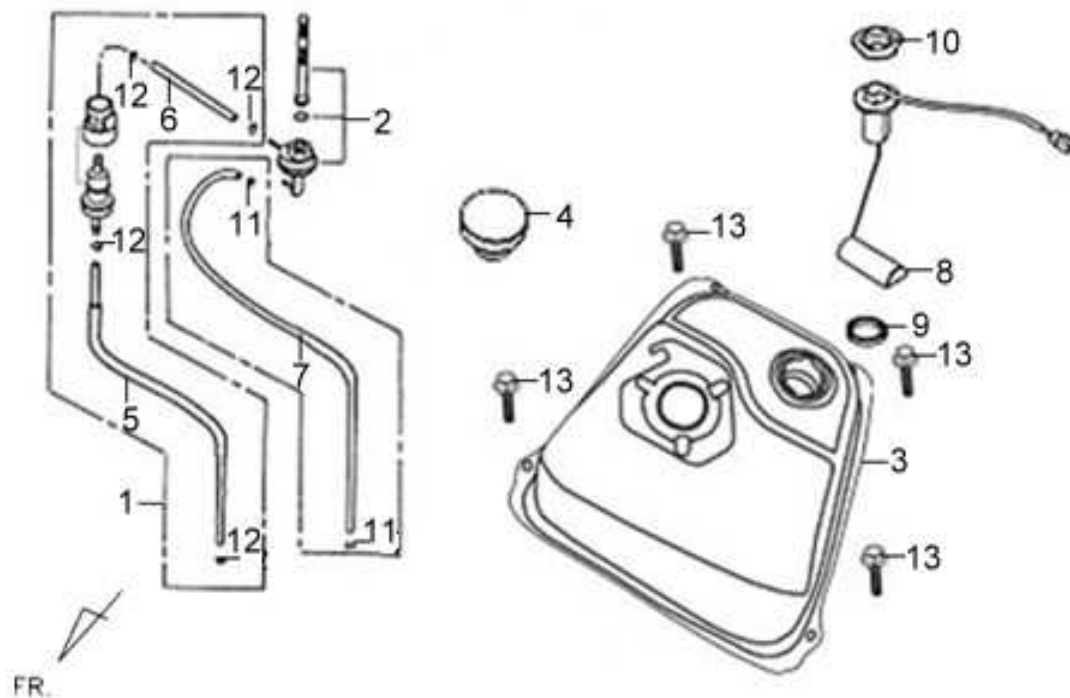
※N/A = SUBSTITUTE

※Y = EXCHANGEABLE

※N =NOT EXCHANGEABLE

F13 FUEL TANK

AY05W6-T[SYMPHONY S 50]



Pictures reference only

PARTS NUMBER	DESCRIPTION	QTY	EFFECTIVE DATE
1 16905-ABA-000	FILTRO CARBURANTE	1	
2 16950-M9Q-000	RUBINETTO CARBURANTE	1	
3 17500-X3A-000	SERBATOIO CARBURANTE	1	
4 17620-CT1C-A00	TAPPO SERBATOIO CARBURANTE	1	
5 17682-APA-000	TUBO BENZINA	1	
6 17683-Z6A-000	FUEL TANK TUBE	1	
7 17684-APA-000	VACUUM TUBE	1	
8 37800-ARB-000	SONDA LIVELLO CARBURANTE	1	
9 37801-M9Q-000	GUARNIZIONE SONDA LIV.CARB.	1	
10 37802-M9Q-000	COPERCHIO SONDA LIV.CARB.	1	
11 95002-02070	TUBE CLIP B7	2	
12 95002-02080	FASCETTA TUBO B8	4	
13 96001-06010-08	VITE FLANGIATA 6X10	4	

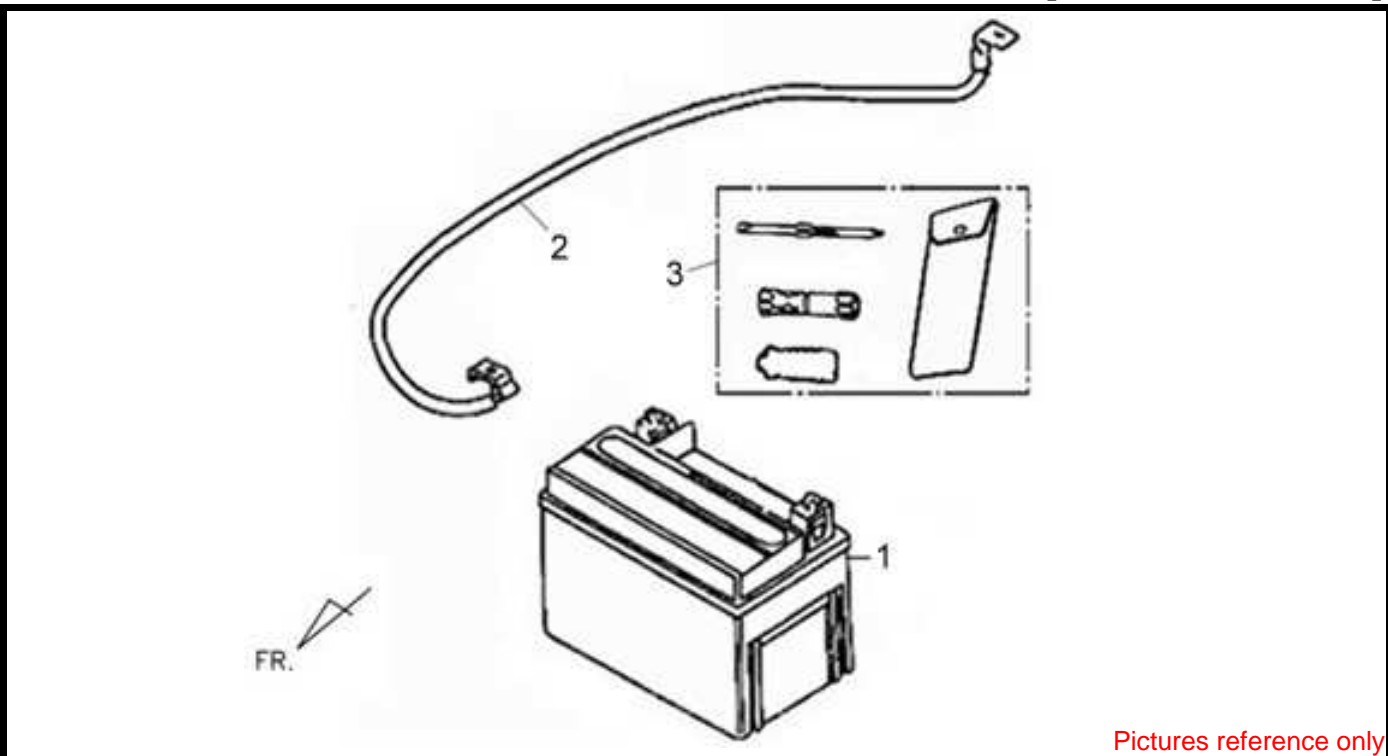
※ Please check the color & stripe information according to the color index !

TEAMWORLD IND. 2012.03

※N/A = SUBSTITUTE

※Y = EXCHANGEABLE

※N =NOT EXCHANGEABLE



Pictures reference only

PARTS NUMBER		DESCRIPTION	QTY	EFFECTIVE DATE
1	1Y01GY601-Y	BATTERIA YTX7A-BS (YUASA)	1	
2	32411-ARA-010	CAVO BATTERIA	1	
3	89010-V1F-A00	SERIE UTENSILI	1	

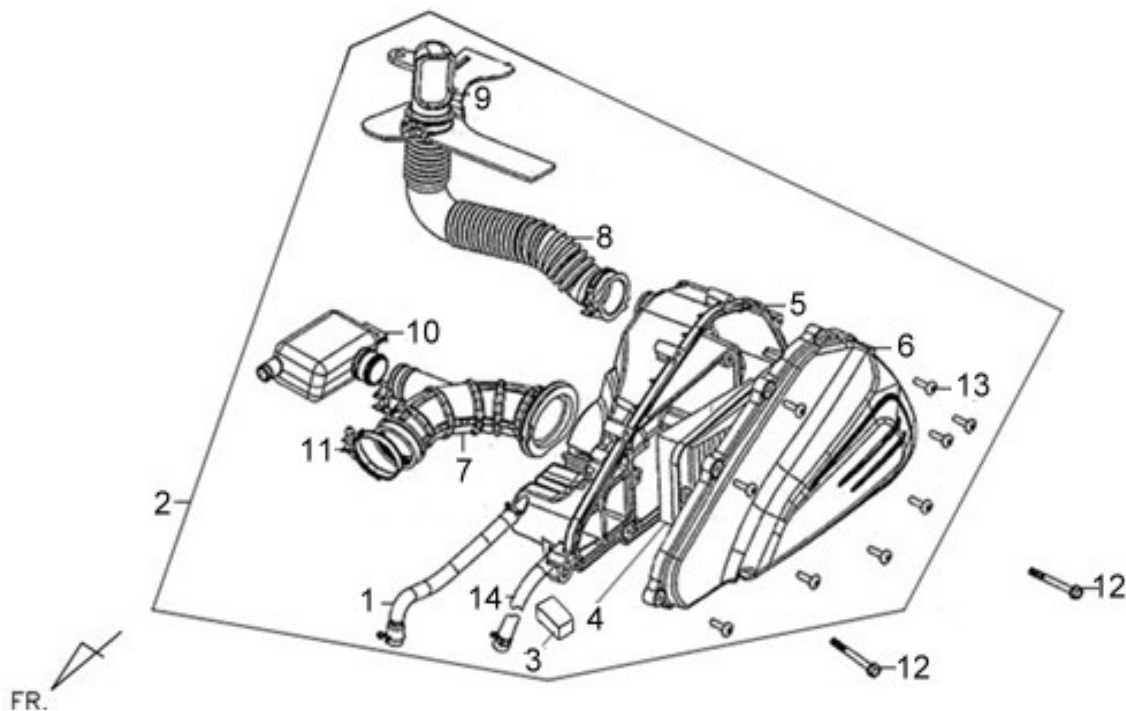
※ Please check the color & stripe information according to the color index !

TEAMWORLD IND. 2012.03

※N/A = SUBSTITUTE

※Y = EXCHANGEABLE

※N =NOT EXCHANGEABLE



Pictures reference only

PARTS NUMBER	DESCRIPTION	QTY	EFFECTIVE DATE
1 11211-APA-000	TUBO SFIATO	1	
2 17200-APA-010	SCATOLA FILTRO ARIA COMPLETA	1	
3 17209-APA-000	ELEMENT A	1	
4 17211-ADB-000	FILTRO ARIA	1	
5 17230-APA-010	BASE SCATOLA FILTRO ARIA	1	
6 17231-APA-000	COPERCHIO SCATOLA FILTRO ARIA	1	
7 17253-APA-010	AIR/C CONNECTING TUBE	3	
8 17257-APA-000	AIR/C DUCT A	1	
9 17258-APA-000	AIR/C DUCT B	1	
10 17260-APA-000	AIR CHAMBER	1	
11 90652-M8Q-000	AIR/C CONN.TUBE BAND 46	1	
12 93404-06030-07	BOLT WASHER 6X30	2	
13 93903-25480	VITE AUTOFILETTANTE 5X20	9	
14 95003-23019-60	V TUBE 8X12X190	1	

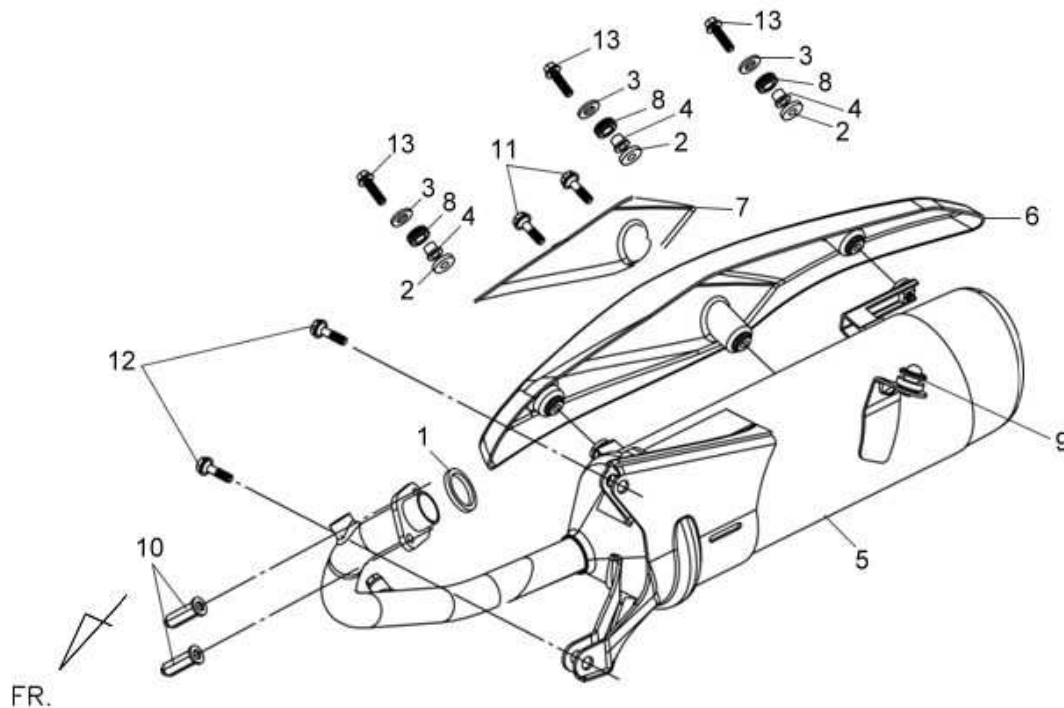
※ Please check the color & stripe information according to the color index !

TEAMWORLD IND. 2012.03

※N/A = SUBSTITUTE

※Y = EXCHANGEABLE

※N =NOT EXCHANGEABLE



Pictures reference only

PARTS NUMBER	DESCRIPTION	QTY	EFFECTIVE DATE
1 18291-H80-A00	GUARNIZIONE SCARICO	1	
2 18292-F3E-000	RONDELLA ISOLANTE	3	
3 18293-F3E-000	RONDELLA ISOLANTE	3	
4 18295-F3E-000	BOCCOLA 6MM	3	
5 18300-APA-000	MARMITTA SYMPHONY 50	1	
6 18318-KAA-000	PROTEZIONE MARMITTA NERO	1	
7 18319-KAA-000	COPER.PROTEZ.MARMITTA GRIGIO	1	
8 18320-F3E-000	GOMMINO	3	
9 18321-ADB-000	RR. MUDGUARD STAY RUBBER	1	
10 90301-M9Q-000	DADO CIECO 6MM LUNGO	2	
11 93903-25280	TAPPING SCREW 5X12	2	
12 95801-08045-07	FLANGE BOLT 8X45	2	
13 96001-06022-49	BOLT6*22	3	

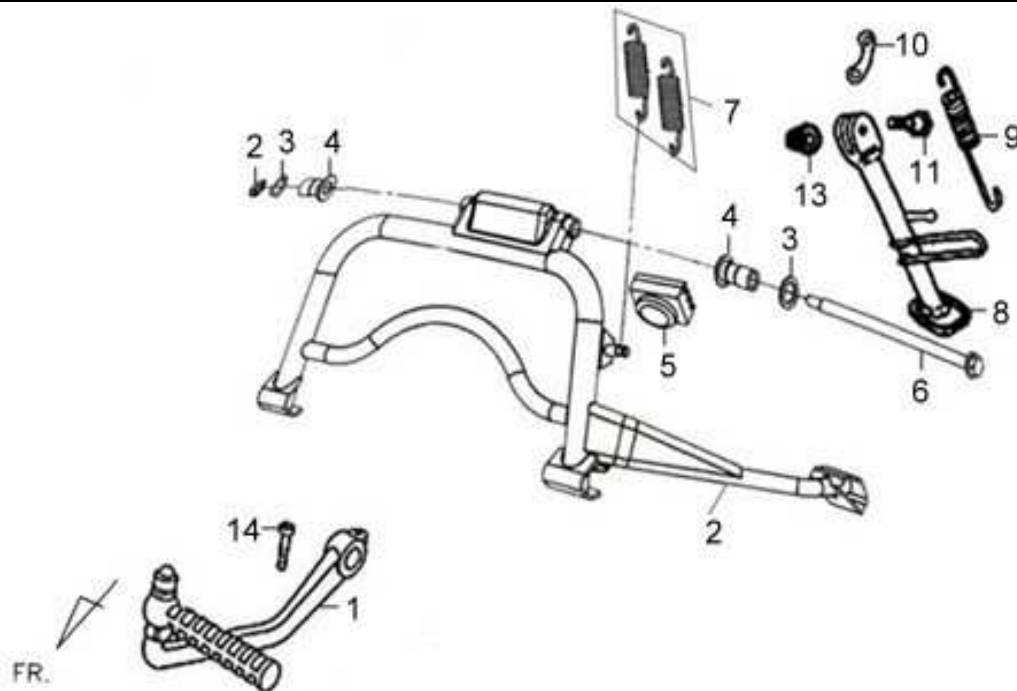
※ Please check the color & stripe information according to the color index !

 TEAMWORLD IND. 2008.01

※N/A = SUBSTITUTE

※Y = EXCHANGEABLE

※N =NOT EXCHANGEABLE



Pictures reference only

PARTS NUMBER	DESCRIPTION	QTY	EFFECTIVE DATE
1 28300-S1B-A00	PEDALE AVVIAMENTO	1	
7 50500-X3A-000	CAVALLETTO CENTRALE	1	
3 50503-F6B-000	RONDELLA	2	
4 50504-Z6A-000	MAIN STAND COLLAR	2	
6 50506-ABA-000	STAND STOP RUBBER A	1	
14 50512-APA-000	FLANGE BOLT	1	
5 5052A-APA-000	MOLLA CAVALLETTO CENTRALE	1	
8 50530-Z7E-000	CAVALLETTO LATERALE	1	
9 50535-APA-000	SIDE STAND SPRING ASSY	1	
10 50542-AAA-000	SPRING PLATE HOOK	1	
11 90108-AAA-000	SIDE STAND PIVOT SCREWBOLT	1	
15 90309-N7C-000	SELF-LOCK NUT 8MM	1	
12 94030-08080-0S	DADO M8X14X6.5	1	
13 95801-06022-07	FLANGE BOLT 6X22	1	

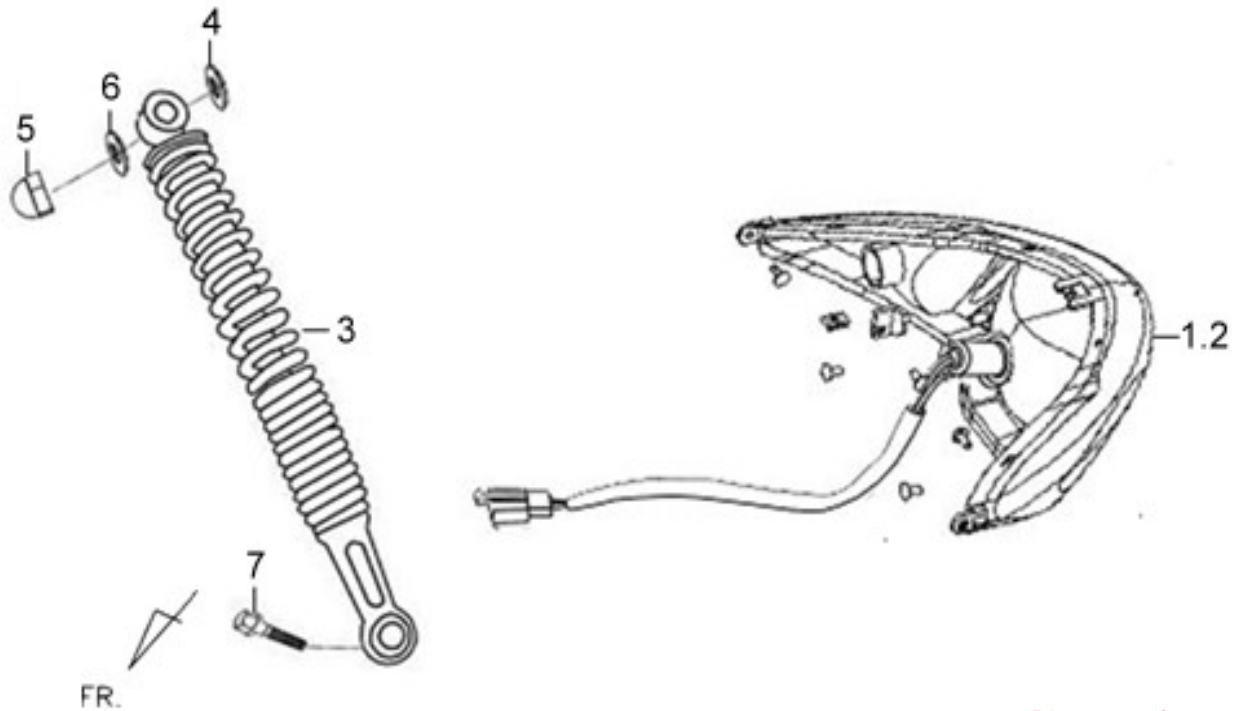
※ Please check the color & stripe information according to the color index !

TEAMWORLD IND. 2012.03

※N/A = SUBSTITUTE

※Y = EXCHANGEABLE

※N =NOT EXCHANGEABLE



Pictures reference only

PARTS NUMBER		DESCRIPTION	QTY	EFFECTIVE DATE
1	33700-APA-000	FANALE POSTERIORE	1	
1-1	33702-APA-000	LENTE FANALE POSTERIORE	1	
2	34906-268-600	LAMPADINA 12V 18/5W POS.&STOP	1	
3	52400-APA-010	AMMORTIZZATORE POST.	1	
4	90440-M9Q-000	RONDELLA PIANA 12MM	1	
5	94050-10080	DADO FLANGIATO 10mm	1	
6	94101-10000	PLAIN WASHER 10MM	1	
7	95801-08035-00	FLANGE BOLT 8X35	1	

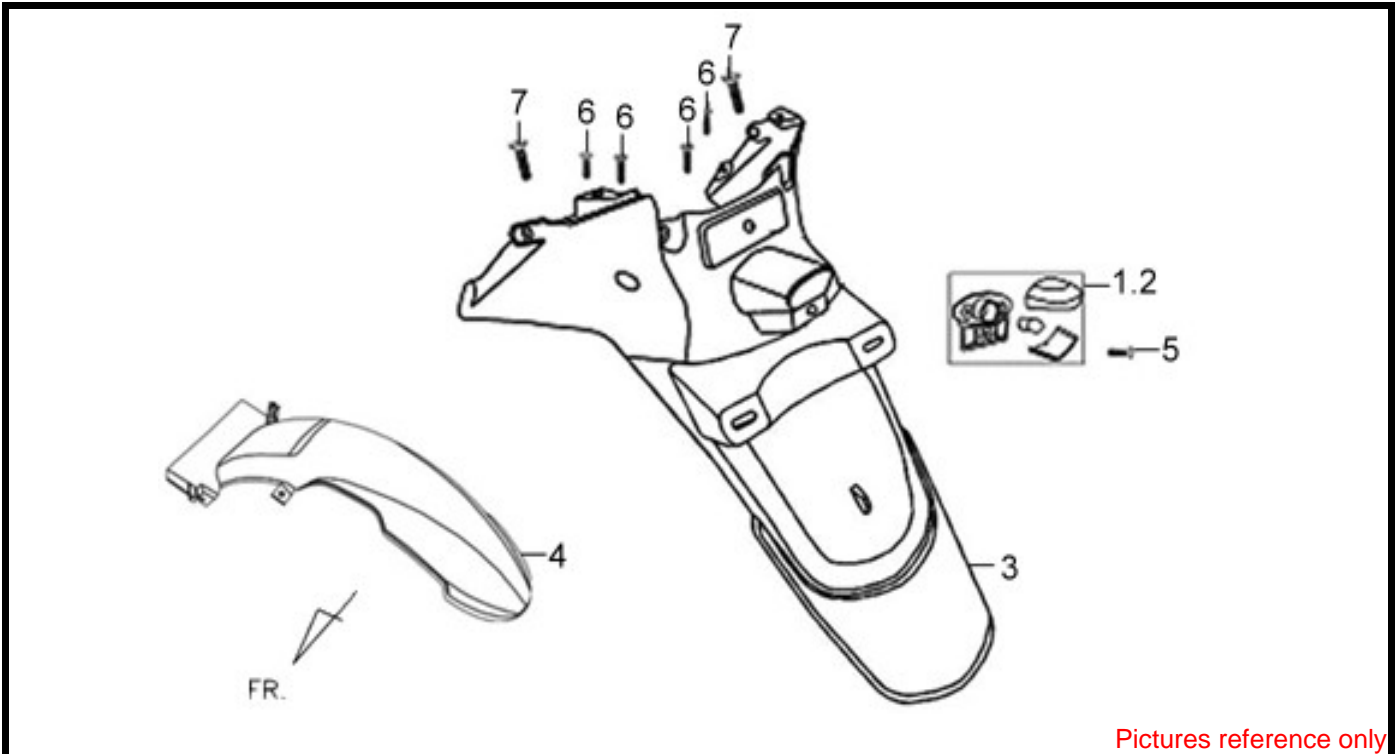
※ Please check the color & stripe information according to the color index !

 STEAMWORLD IND. 2012.03

※N/A = SUBSTITUTE

※Y = EXCHANGEABLE

※N =NOT EXCHANGEABLE



Pictures reference only

PARTS NUMBER	DESCRIPTION	QTY	EFFECTIVE DATE
1 33740-APA-000	LUCE TARGA	1	
2 34908-M9Q-100	LAMPADINA 12V 5W	1	
3 80100-APA-000	PARAFANGO POST.	1	
4 80105-ARA-000	PARAFANGO PASSARUOTA	1	
5 93901-35380	SCREW TAPPING 5*16	1	
6 93903-35220	SCREW TAPPING	4	
7 95801-06016-08	FLANGE BOLT 6X16	2	

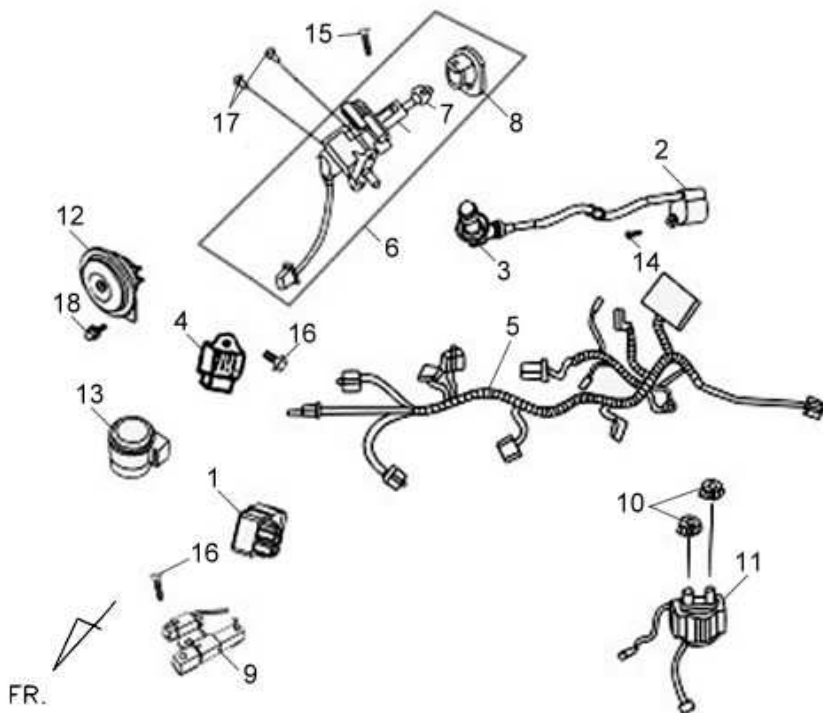
※ Please check the color & stripe information according to the color index !

TEAMWORLD IND. 2012.03

※N/A = SUBSTITUTE

※Y = EXCHANGEABLE

※N =NOT EXCHANGEABLE



Pictures reference only

PARTS NUMBER	DESCRIPTION	QTY	EFFECTIVE DATE
1 30410-Z6A-000	CENTRALINA CDI	1	
2 3051A-APA-010	IGN.COIL	1	
3 30700-T3D-A00	PIPETTA CANDELA	1	
4 31600-CT3-A00	REGOLATORE DI TENSIONE	1	
5 32100-X3F-000	IMPIANTO ELETTRICO	1	
6 35010-Z6A-010	BLOCCO AVV.CHIAVE COMPLETO	1	
7 35111-AA3-A00	CHIAVE GREZZA	1	
8 35114-ALA-000	GHIERA SERRATURA AVVIAMENTO	1	
9 35400-M92-000	RESISTENZA	1	
10 35859-M9Q-900	MAG SW NUT	2	
11 3585A-35A-A00	TELERUTTORE AVVIAMENTO	1	
12 38110-ABA-000	CLAXON	1	
13 38300-T40-010	INTERMITTENZA LAMPEGGIATORI	1	
14 90112-AAA-000	VITE FLANGIATA 5X22	1	
15 93891-05008-08	WASHER SCREW 5*8	1	
16 95801-06016-08	FLANGE BOLT 6X16	2	
17 95801-06018-07	FLANGE BOLT	2	
18 95801-08012-08	VITE FLANGIATA 8X12	1	

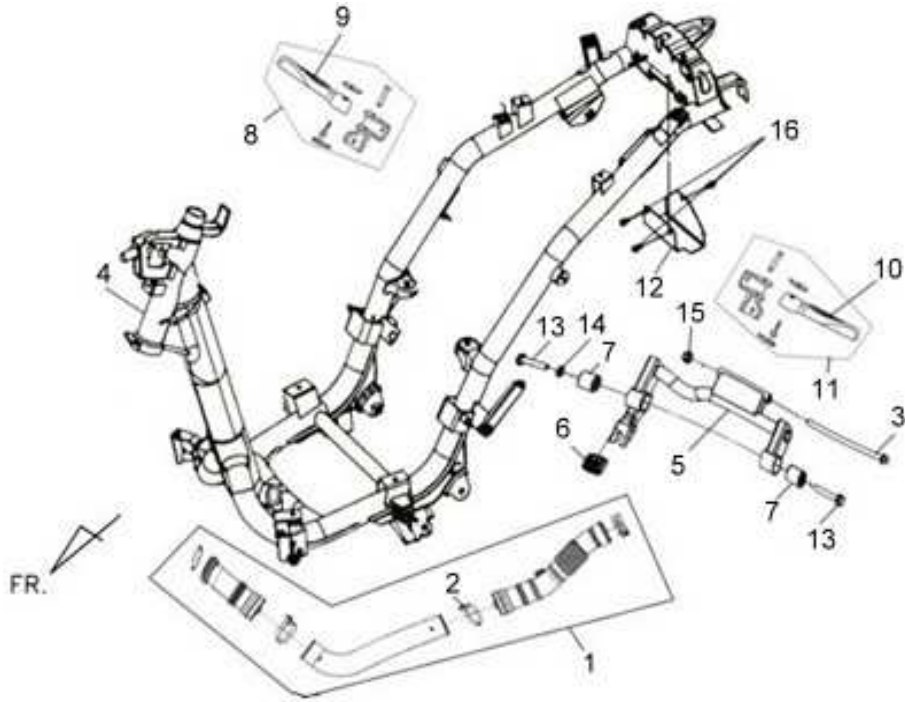
※ Please check the color & stripe information according to the color index !

TEAMWORLD IND. 2012.03

※N/A = SUBSTITUTE

※Y = EXCHANGEABLE

※N =NOT EXCHANGEABLE



Pictures reference only

PARTS NUMBER	DESCRIPTION	QTY	EFFECTIVE DATE
1 1134B-APA-000	MANICOTTO COMPLETO	1	
2 1134B-S1B-A00	FASCETTA	1	
3 44301-A31-900	PERNO SUPP.MOTORE 10X172	1	
4 50100-X3A-010	TELAIO	1	
5 50351-APA-020	SUPPORTO MOTORE	1	
6 50352-ADB-000	LIN STOPPER RUBBER	1	
7 50353-M9Q-000	SWING LOCK BUSH	2	
8 50710-APA-000	PEDANA POSTER. DX COMPLETA	1	
9 50715-APA-000	PEDANA POST.DX	1	
10 50718-APA-000	PEDANA POST.SX	1	
11 50720-APA-000	PEDANA POSTER. SX COMPLETA	1	
12 81208-APA-000	DC. SOLENOID COVER	1	
13 90106-ABA-000	VITE FLANGIATA 10X55	2	
14 90121-M9Q-000	DISTANCE COLLAR	1	
15 90304-M9Q-900	DADO CIECO 6MM	1	
16 96001-06010-08	VITE FLANGIATA 6X10	3	

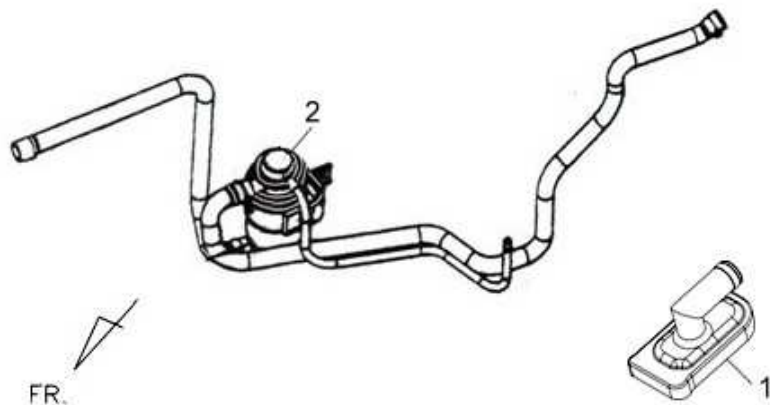
※ Please check the color & stripe information according to the color index !

TEAMWORLD IND. 2012.03

※N/A = SUBSTITUTE

※Y = EXCHANGEABLE

※N =NOT EXCHANGEABLE



Pictures reference only

PARTS NUMBER		DESCRIPTION	QTY	EFFECTIVE DATE
1	15500-AMA-000	VALVOLA ARIA SECONDARIA	1	
2	1865A-APA-010	AICV TUBE	1	

※ Please check the color & stripe information according to the color index !

TEAMWORLD IND. 2012.03

※N/A = SUBSTITUTE

※Y = EXCHANGEABLE

※N =NOT EXCHANGEABLE