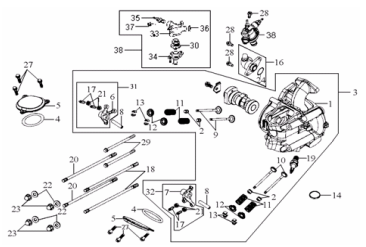
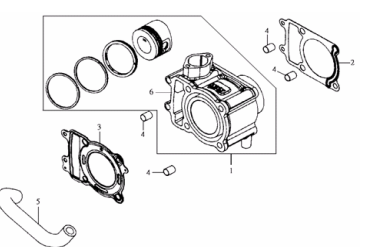
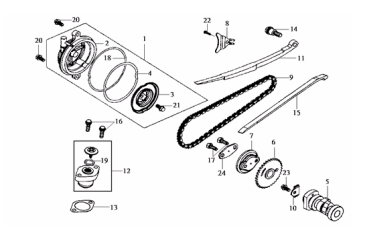
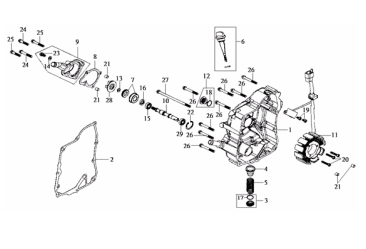
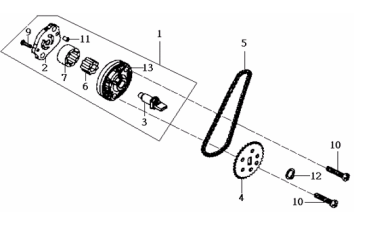
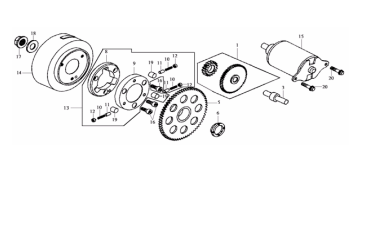
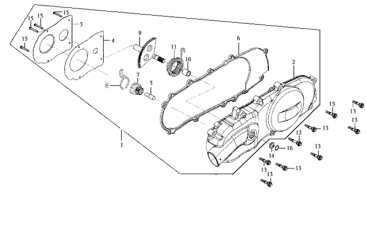
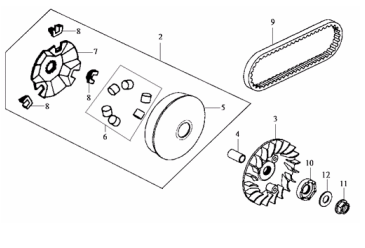
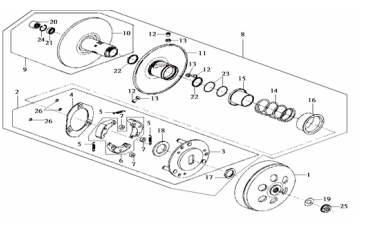
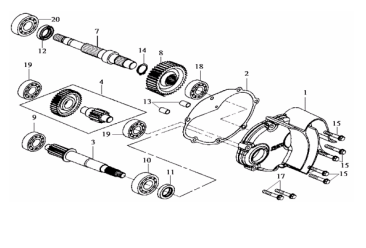
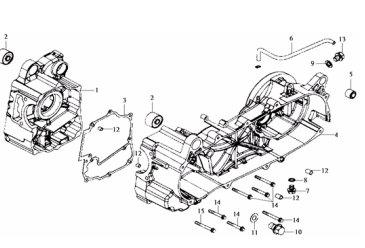
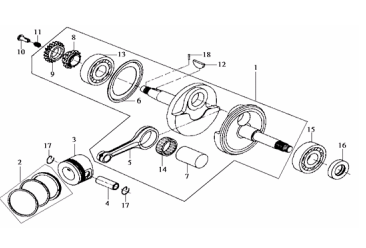


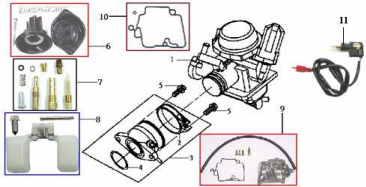
CONTENTS—ENGINE GROUP

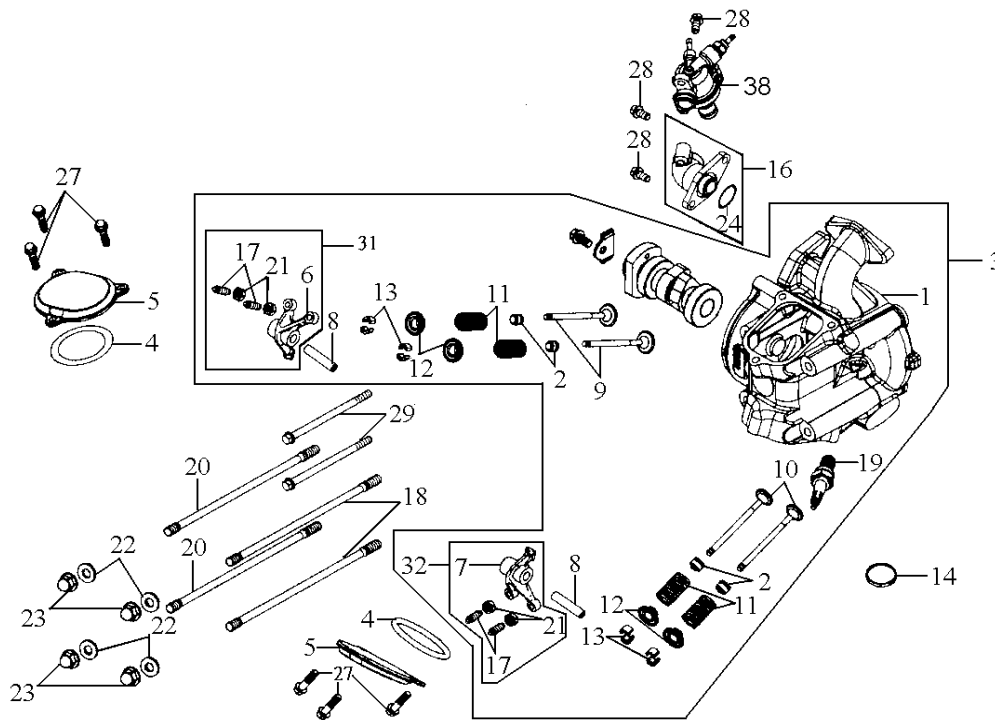
<p>E01 CYLINDER HEAD ASS'Y</p> 	<p>E02 CYLINDER ASS'Y</p> 	<p>E03 CYL. HEAD SIDE COVER ASSY</p> 
<p>E04 R. CRANK CASE COVER</p> 	<p>E05 OIL PUMP ASS'Y</p> 	<p>E06 START. REDUCT. GEAR COMP</p> 
<p>E07 L. CRANK CASE COVER</p> 	<p>E08 MOVABLE DRIVE FACE ASS'Y</p> 	<p>E09 DRIVEN PULLEY ASS'Y</p> 
<p>E10 MISSION COVER COUNTER SHAFT</p> 	<p>E11 R. CRANK CASE COMP.</p> 	<p>E12 CRANK SHAFT COMP.</p> 

CONTENTS-ENGINE GROUP

E13

CARBURETOR ASS'Y



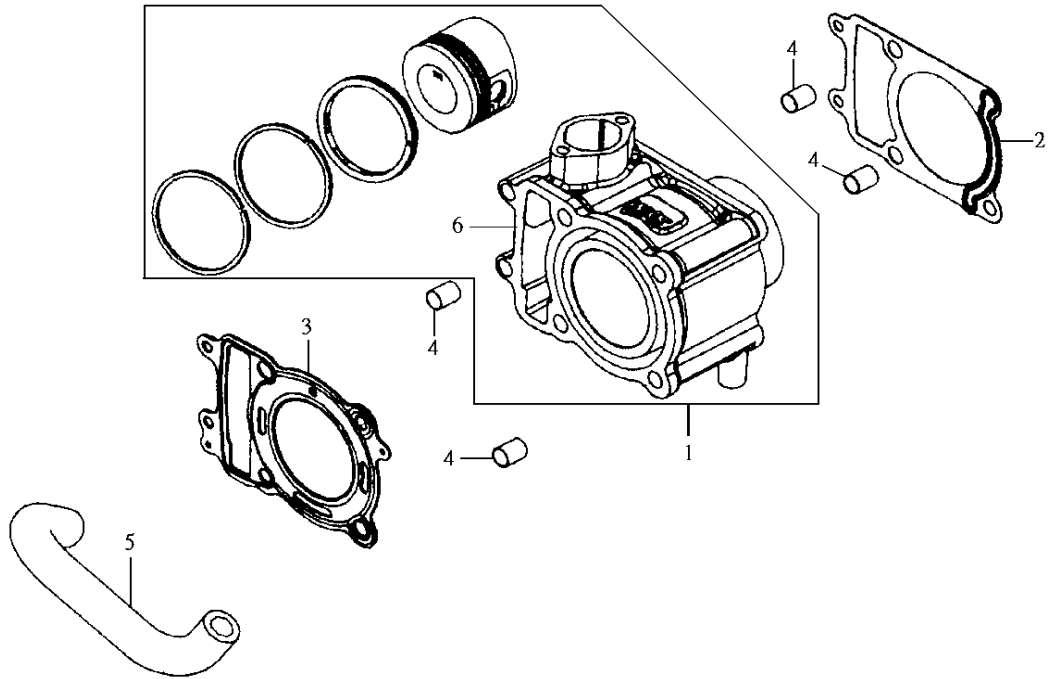


Pictures reference only

PARTS NUMBER		DESCRIPTION	QTY	EFFECTIVE DATE	
1	12200-HHA-000	CYLINDER HEAD COMP	1		
2	12209-H6B-900	VALVE STEM SEAL	1		
2	12209-H6B-000	VALVE STEM SEAL	1		Y
3	1220A-HHA-000	CYLINDER HEAD ASS'Y	1		
4	12362-H9A-000	TAPPET ADJ. HOLE CAP GASK.	2		
5	12361-H9A-000	TAPPET ADJ. HOLE CAP	2		
6	14431-H9A-000-F2	IN. VALVE ROCKET ARM	1		
7	14441-H9A-000-F2	EX. VALVE ROCKET ARM	1		
8	14451-H6B-000	IN. ROCKER ARM SHAFT	2		
9	14711-H9A-000	INLET VALVE	1		
10	14721-H9A-000	EXHAUST VALVE	1		
11	14751-H6B-000	VALVE SPRING	4		
12	14771-H6B-000	VALVE SPRING RETAINER	4		
13	14781-M9Q-000-A	VALVE COTTER	2		
14	18291-H9A-000	EX. PIPE GASKET	1		
16	1931A-H9A-000	THERMOSTAT CASE PIPE ASS'Y	1		
17	90012-M9Q-000	TAPPET ADJUSTING SCREW	4		
18	90031-HLK-000	CYL. STUB BOLT A	2		
19	1PCR8E-3	SPARK PLUG(CR8E)	1		
20	90032-HLK-000	CYLINDER STUD BOLT B	2		
21	90206-HLK-000	TAPPET ADJ. SCREW NUT	4		
22	90442-HLK-000	SEALING WASHER 8MM	4		

23	90443-HLK-000	CAP NUT 8MM	4		
24	91301-KV7-671-M1	O RING 14.8*1.9	1		
27	96001-06016-08	SH. FLANGE BOLT 6*16	6		
28	96001-06020-08	FLANGE BOLT SH. 6*20	3		
29	96001-06095-08	FLANGE SH. BOLT 6*95	2		
30	19300-H01-000	THERMOSTAT ASS'Y	1		
31	1443A-H9A-000	IN.VALVE ROCKER ARM ASSY	1		
32	1444A-H9A-000	EX.VALVE ROCKER ARM ASSY	1		
33	19310-KV7-900	THERMOSTAT CASE COMP.	1		
34	19315-HHA-000	THERMOSTAT COVER	1		
35	37750-PC1-004	THERMO UNIT ASS'Y	1		
36	91301-KV7-671-M1	O-RING 14.8*1.9	1		
37	96001-06018-08	FLANGE BOLT ,SH 6*18	1		
38	1930A-HHA-000	THERMOSTAT CASE ASSY	1		

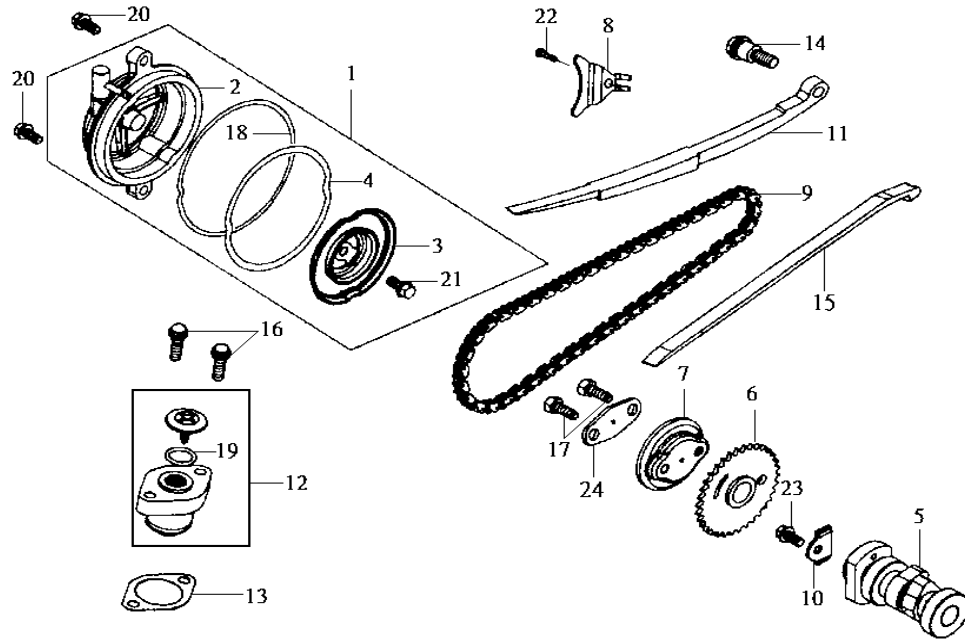
※ Please check the color & stripe information according to the color index  TEAMWORLD IND. 2006.06



Pictures reference only

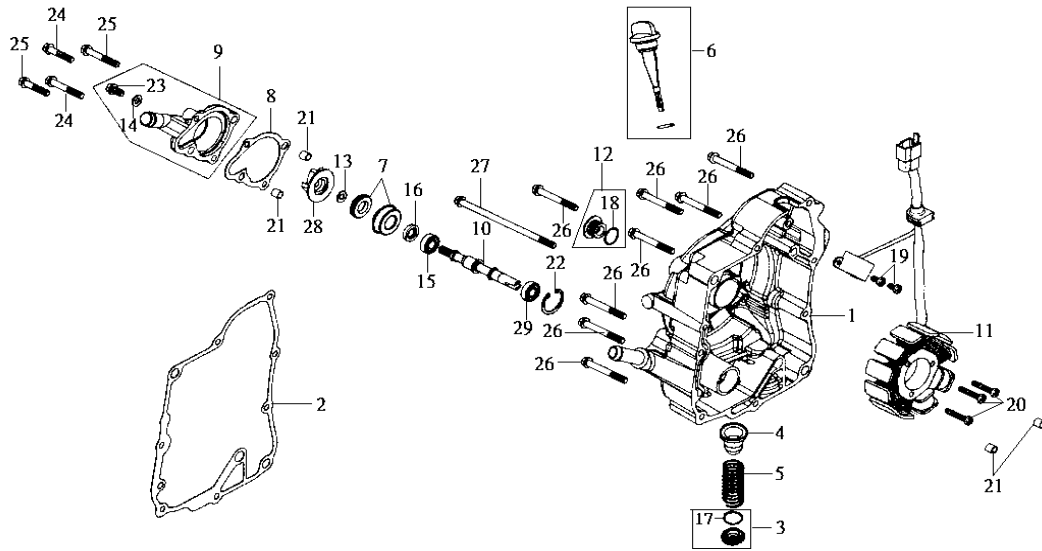
PARTS NUMBER	DESCRIPTION	QTY	EFFECTIVE DATE
1 12100-HHA-000-A	CYLINDER ASSY	1	
2 12191-HLK-000	CYLINDER GASKET	1	
3 12251-HLK-000	CYLINDER HEAD GASKET	1	
4 90704-HLK-000	DOWEL PIN 11*14	4	2004/1/19
5 19502-H9A-000	WATER HOSE B	1	
6 12100-HHA-000	CYLINDER COMP.	1	

※ Please check the color & stripe information according to the color index  TEAMWORLD IND. 2006.06



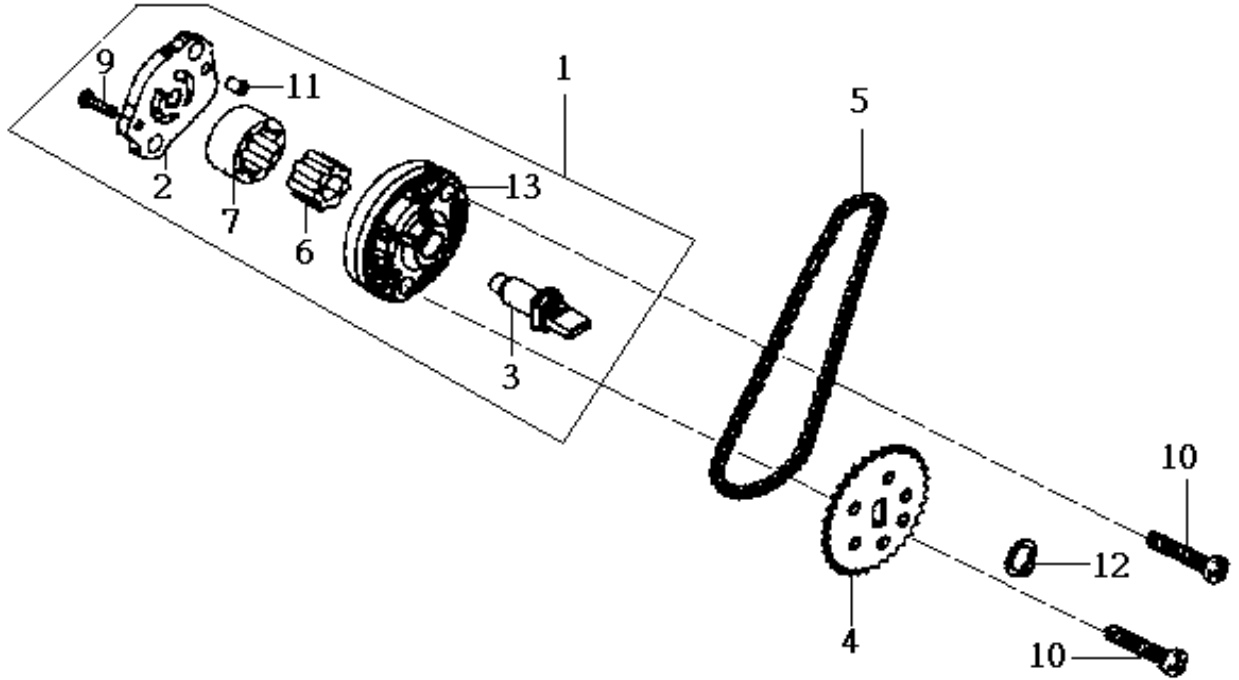
Pictures reference only

PARTS NUMBER	DESCRIPTION	QTY	EFFECTIVE DATE
1 12300-H9A-000	CYL. HEAD SIDE COVER ASSY	1	
2 12310-H9A-000	CYL. HEAD SIDE COVER	1	
3 12320-M36-000	COLLECTOR COMP.	1	
4 12351-M36-000	O-RING 64*3.5MM	1	
5 14100-H9A-000	CAM SHAFT COMP.	1	
6 14105-A31-000	CAM SPROCKET	1	
7 14108-M36-000	CENTRIFUGAL DISK	1	
8 14151-H9A-000	CAM CHAIN SETTING PLATE	1	
9 1C14401-M92-000	CAM CHAIN	1	
10 14457-H9A-000	CAM SHAFT SETTING PLATE	1	
11 14510-H9A-000	CAM CHAIN TENSIONER	1	
12 14520-M9Q-000	TENSIONER LIFTER ASS'Y	1	
13 14523-M9Q-000	TENSIONER LIFTER GASKET	1	
14 14531-KJ9-000	CAM CHAIN TENSION. PIVOT	1	
15 14610-KV7-900	GUIDE COMP. CAM CHAIN	1	
16 90001-M9Q-000	SHF FLANGE BOLT 6*22	2	
17 90083-X01-000	LOCK BOLT 6MM	2	
18 91301-B06-000	O-RING 75*2.5	1	
19 91306-M9Q-000	O-RING 1.5*9.5	1	
20 95801-06020-08	BOLT, FLANGE 6*20	2	
21 96001-06010-08	SH. FLANGE BOLT 6*10	1	
22 96001-06012-08	FLANGE BOLT SH 6*12	1	
23 96001-06014-08	FLANGE BOLT SH 6*14	1	
24 14105-X01-000	CAM SPROCKET WASHER	1	



Pictures reference only

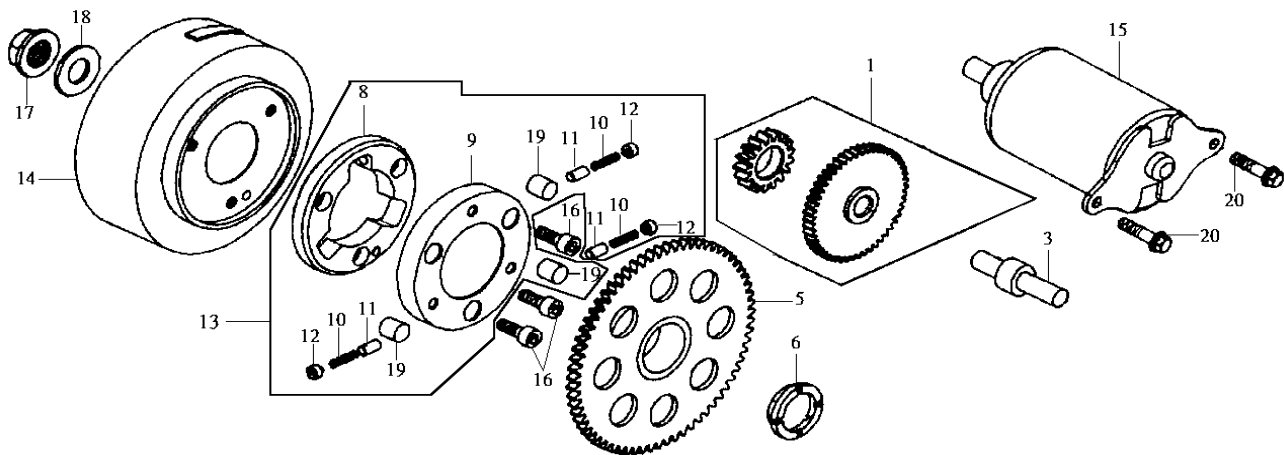
PARTS NUMBER	DESCRIPTION	Q T Y	EFFECTIVE DATE	
1	11330-HHA-000	R. CASE COVER COMP.	1	
2	11394-H9A-000	R. CRANK CASE COVER GASK.	1	
3	1236A-V02-000	TAPPET ADJUST. HOLE CAP	1	
4	15421-M9Q-000	OIL FILLTER SCREEN	1	
5	15426-M9Q-000	OIL FILLTER SCREEN SPRING	1	
6	1565A-HHA-000	OIL LEVEL GAUGE ASS'Y	1	
7	19217-H9A-300	MECHANICAL SEAL	1	
8	19229-H9A-000	WATER PUMP GASKET	1	
9	1922A-HLA-000	WATER PUMP COVER ASS'Y	1	
10	19231-KJ9-010	WATER PUMP SHAFT	1	
11	31120-H9A-001	STATOR COMP.	1	
12	9008A-H9A-000	A. C. G. CAP 14MM	1	
13	90423-KJ9-000	WASHER 7.2*13*1.2	1	
14	90478-700-000	WASHER A 6MM	1	
15	91001-KJ9-005	RADIAL BALL BRG6901	1	
16	91205-KF0-003	OIL SEAL 12*20*5	1	
17	91302-M9Q-000	O RING 30.8M/M	1	
18	91303-M2Q-000	N/A O-RING 13.8*2.5	1	
18	91303-377-000	O-RING 13.8*2.5	1	Y
19	93500-05016-0A	PAN SCREW 5*16MM	1	
20	93500-05035-0A	PAN SCREW 5*35	3	
21	94301-08140	DOWEL PIN 8*14	4	
22	94520-26000	CIR CLI PIN 26MM	1	
23	96001-06010-08	SH. FLANGE BOLT 6*10	1	
24	96001-06022-08	FLANGE BOLT SH 6*22	2	
25	96001-06032-08	FLANGE BOLT SH 6*32	2	
26	96001-06050-08	SH. FLANGE BOLT 6*50MM	8	
27	96001-06125-08	FLANGE BOLT SH 6*125	1	
28	19215-HLA-000	WATER PUMP IMPELLER	1	
29	96100-60000-00	BALL BEARING 6000	1	



Pictures reference only

PARTS NUMBER	DESCRIPTION	QTY	EFFECTIVE DATE
1 15100-H9A-000	OIL PUMP ASS'Y	1	
2 15116-KJ9-000	OIL PUMP PLATE	1	
3 15132-H9A-000	OIL PUMP SHAFT	1	
4 15133-KM1-000	OIL PUMP DRIVEN SPROCKET	1	
5 1C15141-KJ9-003-E1	OIL PUMP CHAIN 25-46	1	
6 15331-H9A-000	OIL PUMP INNER ROTOR	1	
7 15332-H9A-000	OIL PUMP OUTER ROTOR	1	
9 93500-03012-1A	SCREW PAN 3*12	1	
10 93500-06030-0H	PAN SCREW 6*30	2	
11 94303-04065	DOWEL PIN 4*6.5	1	
12 94510-10000	EXTERNAL CIRCLIP 10	1	
13 15101-H9A-000	OIL PUMP BODY	1	

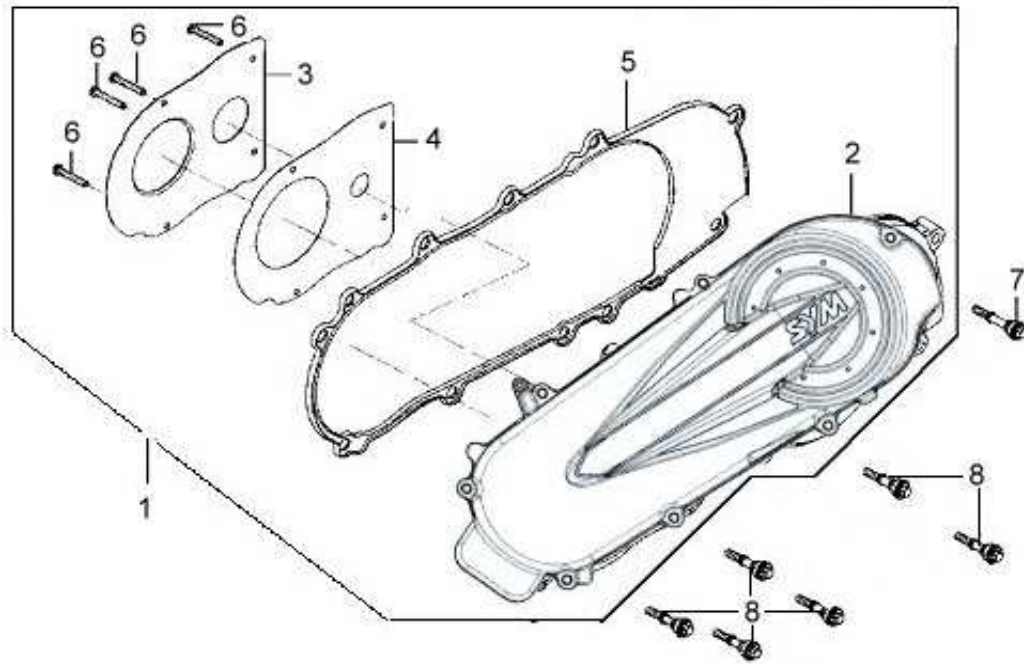
※ Please check the color & stripe information according to the color index  TEAMWORLD IND. 2006.06



Pictures reference only

PARTS NUMBER	DESCRIPTION	QTY	EFFECTIVE DATE
1 28100-H9A-000	START. REDUCT. GEAR COMP	1	
3 28102-H9A-000	STA. REDUCT. GEAR SHAFT	1	
5 28110-H9A-000	START. CLUTCH GEAR COMP	1	
6 28115-H9A-000	START. DRIVEN GEAR COL.	1	
8 28121-M4Q-300	CLUTCH OUTER BODY	1	
9 28122-M4Q-300	CLUTCH OUTER COVER	1	
10 28125-426-000	CLUTCH FLANGE STARTING	1	
11 28126-323-000	CLUTCH ROLLER SPG. CAP	1	
12 28129-M9Q-300	CLUTCH ROLLER SPG. STOPP.	1	
13 2812A-V01-000	START. CLUTCH OUTER ASS'Y	1	
14 31110-H9A-000	FLYWHEEL COMP	1	
15 31200-HLA-000	START MOTOR ASS'Y	1	
16 90001-KN7-670	SPECIAL BOLT 6*12	3	
17 90201-KR8-751-M1	FLANGE NUT 14MM	1	
18 90401-KJ9-000	THRUST WASHER 14*28*2	1	
19 91101-X06-000	ROLLER 10.2*11.3	3	
20 96001-06022-08	FLANGE BOLT SH 6*22	2	

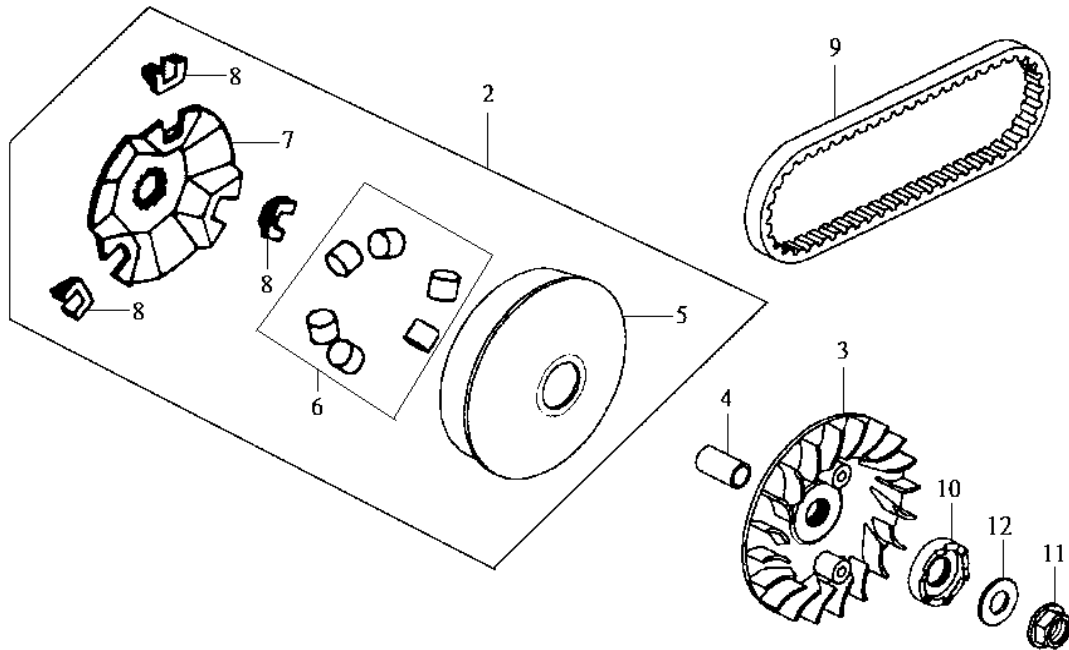
※ Please check the color & stripe information according to the color index  TEAMWORLD IND. 2006.06



Pictures reference only

PARTS NUMBER	DESCRIPTION	QTY	EFFECTIVE DATE
1 11340-HHA-010	L. CRANK CASE COVER ASS'Y	1	
2 11341-HHA-010	L. CRANK CASE COVER	1	
3 11346-HHA-000	L. COVER PLATE	1	
4 11349-HHA-000	L. COVER PLATE GASKET	1	
5 11395-HHA-000	L. COVER GASKET	1	
6 93903-25380	TAPPING SCREW 5*16	4	
7 96001-06035-07	SH. FLANGE BOLT 6*35	1	
8 96001-06040-07	FLANGE BOLT SH 6*40	6	

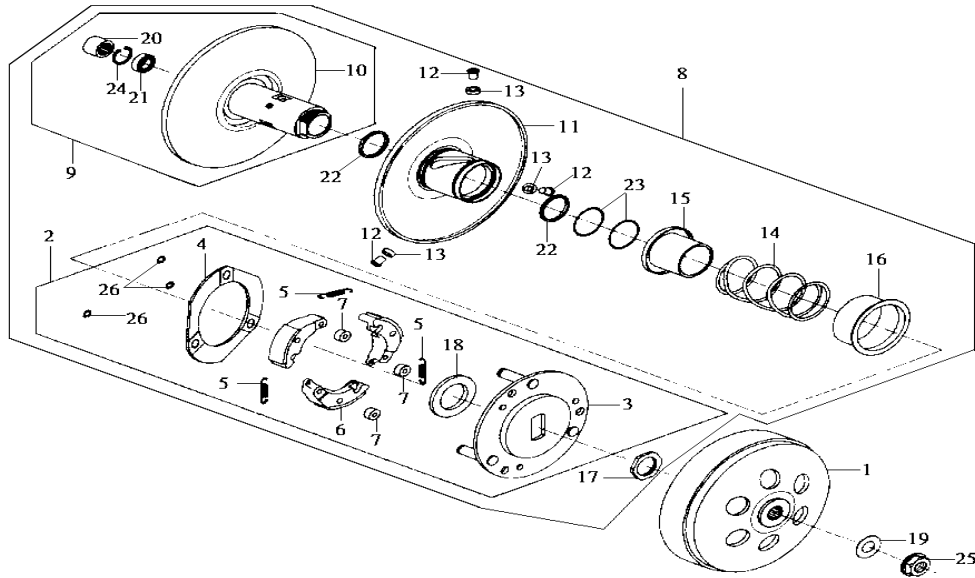
※ Please check the color & stripe information according to the color index  TEAMWORLD IND. 2006.06



Pictures reference only

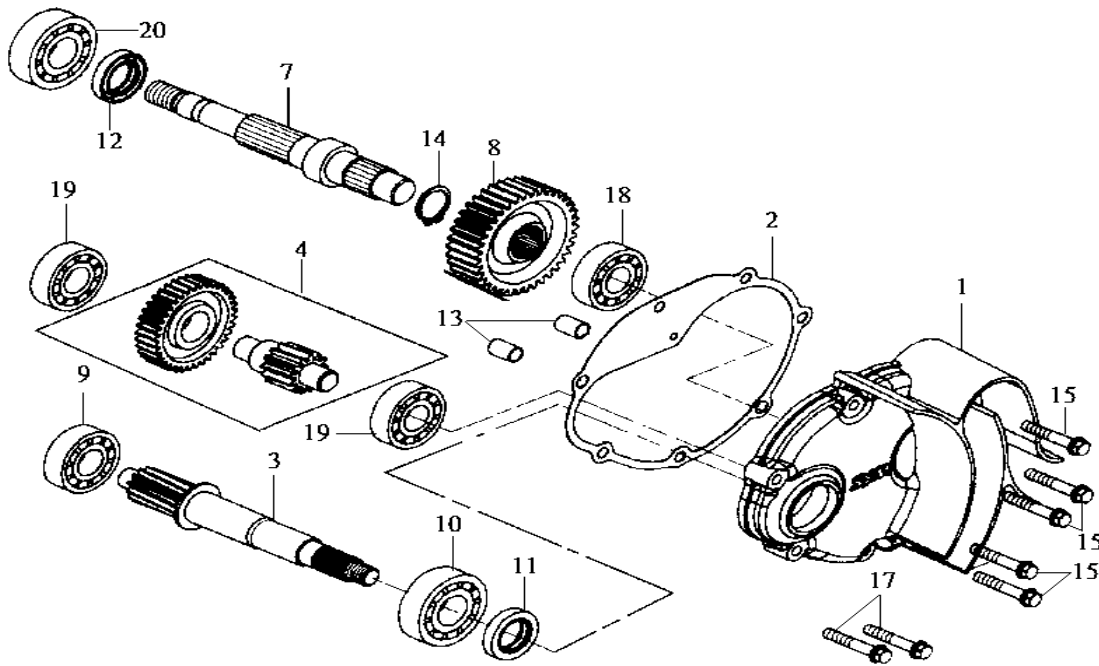
PARTS NUMBER	DESCRIPTION	QTY	EFFECTIVE DATE
2 22000-HHA-000	MOVABLE DRIVE FACE ASS'Y	1	
3 22102-RA1-000	DRIVE FACE	1	
4 22105-H9A-000	DRIVE FACE BOSS	1	
5 22110-H9A-002	MOVABLE DRIVE FACE	1	
6 22121-HHA-000-A	WEIGHT ROLLER COMP(13.4g)	1	
7 22131-H9A-000	RAMP PLATE	1	
8 22132-HLA-000-A	SLIDE PIECE	1	
9 1B01HHA01	DRIVE BELT	1	
10 28231-H01-000	KICK RATCHET	1	
11 90201-KR8-751-M1	FLANGE NUT 14MM	1	
12 90401-KJ9-000	THRUST WASHER 14*28*2	1	

※ Please check the color & stripe information according to the color index TEAMWORLD IND. 2006.06



Pictures reference only

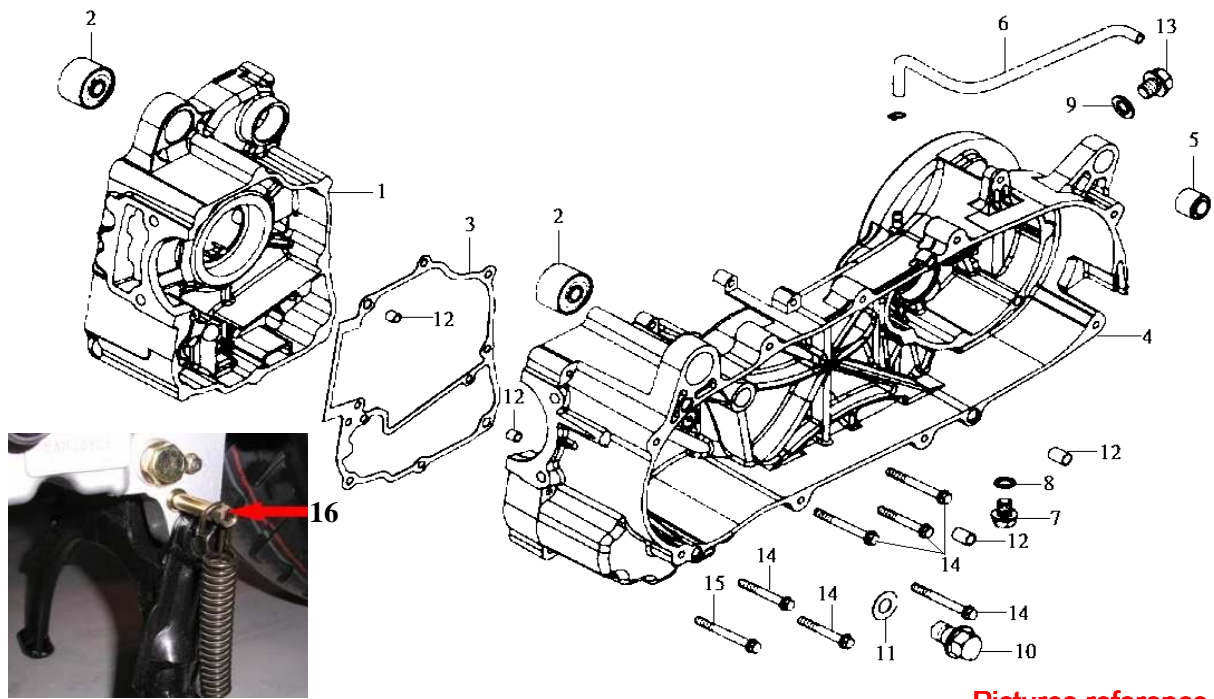
PARTS NUMBER	DESCRIPTION	QTY	EFFECTIVE DATE
1 22101-KV7-900	CLUTCH OUTER	1	
2 22300-H93-000	DRIVE PLATE ASS'Y	1	
3 22350-M4Q-000	DRIVE PLATE COMP	1	
4 22361-M9Q-000	CLUTCH SIDE PLATE	1	
5 22401-X06-000	CLUTCH SPRING	1	
6 22530-H93-000-A	CLUTCH WEIGHT(3 PCS 1 SET)	1	
7 22804-M9Q-000	CLUTCH DAMPER RUBBER	1	
8 23010-H93-000	DRIVEN PULLEY ASS'Y	1	
9 23200-M4Q-000	DRIVEN FACE ASS'Y	1	
10 23210-M4Q-000	DRIVEN FACE COMP.	1	
11 23220-H9A-000	MOVA. DRIVEN FACE COMP.	1	
12 23225-M9Q-000	ROLLER GUIDE PIN	1	
13 23226-M9Q-000	ROLLER GUIDE	1	
14 23233-KN7-670	DRIVEN FACE SPRING	1	
15 23237-KG8-900	N/A COLLAR SEAL	1	
15 23237-KG8-000	COLLAR SEAL	1	Y
16 23238-M9Q-000	SPRING COLLAR	1	
17 90202-M9Q-000	SPECIAL NUT 28MM	1	
18 90403-KN7-670	THRUST WASHER 28*44*1.5	1	
19 90441-KV7-900	WASHER 12.2*29*2.5	1	
20 91001-H6T-300	N/A NEEDLE BRG 20*29*18	1	
20 91001-GY6-900-M1	NEEDLE BRG 20*29*18	1	Y
21 91002-H6B-300	RADIAL BALL BRG. 6902U	1	
22 91211-M8Q-000	DRIVEN FACE SEAL 34*41*4	2	
23 91384-M9Q-000	O-RING 38.8*1.9	2	
24 94520-28000	CIR. CRIP 28MM	1	
25 90201-KR8-751-M1	FLANGE NUT 14MM	1	
26 94540-07010	N/A E-RING 7MM	3	
26 90605-166-720	E-RING 7MM	3	Y



Pictures reference only

PARTS NUMBER	DESCRIPTION	QTY	EFFECTIVE DATE
1 21200-HHA-010	MISSION CASE	1	
2 21395-HHA-000	MISSION COVER GASKET	1	
3 23411-HHA-000	DRIVE SHAFT	1	
4 23420-HHA-010	COUNTER GEAR COMP.	1	
7 23431-HHA-010	FINAL SHAFT	1	
8 23432-HHA-010	FINAL GEAR	1	
9 91003-M8Q-000	RADIAL BALL BRG. CSB301	1	
10 91104-KN7-670	RADIAL BALL BRG. 6204TMB	1	
11 91202-M9Q-300	N/A OIL SEAL 20*32*6	1	
11 91202-KJ9-003	OIL SEAL 20*32*6	1	Y
12 91201-HHA-300	PARAOLIO 32x47x7	1	
13 94301-08140	DOWEL PIN 8*14	2	
14 94510-10000	CIRCLIP EX. 10	1	
15 96001-06030-08	FLANGE SH BOLT 6*30	5	
17 96001-06035-08	FLANGE BOLT SH 6*35	2	
18 96100-62033-00	BALL RADIAL BRG. 6203	1	
19 96100-63013-00	RADIAL BALL BRG. 6301	2	
20 96150-60043-10	RADIAL BALL BEARING 6004	1	

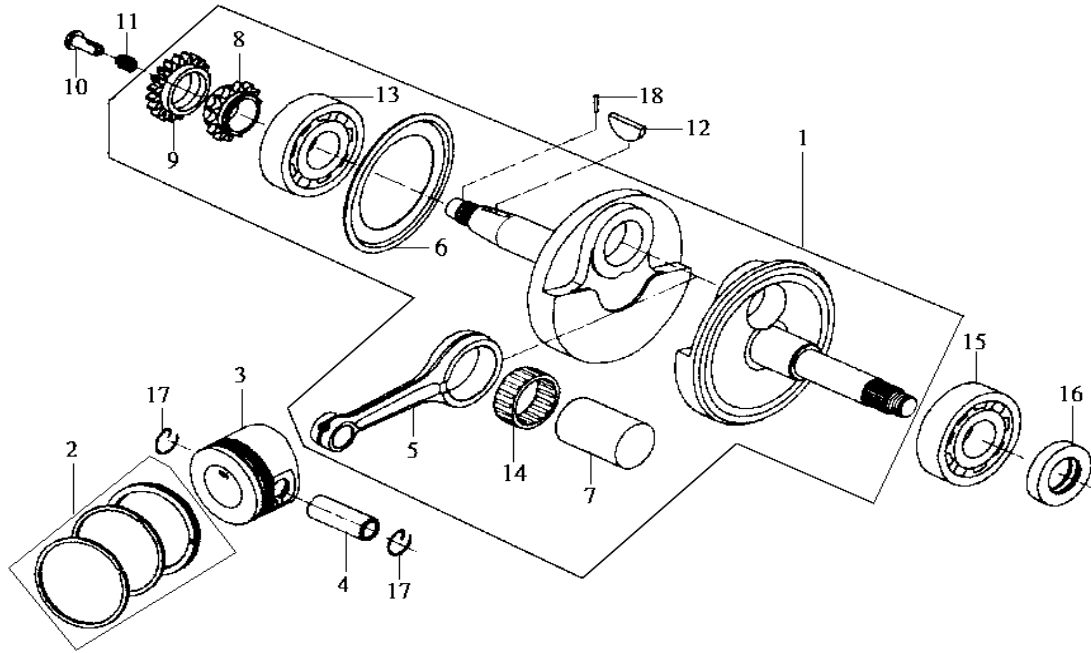
※ Please check the color & stripe information according to the color index TEAMWORLD IND. 2006.06



Pictures reference only

PARTS NUMBER		DESCRIPTION	QTY	EFFECTIVE DATE
1	11100-HHA-000	R. CRANK CASE COMP.	1	
2	11102-H9A-300	ENG. HANGER RUB. BUSH	2	
3	11191-H9A-000	CRANK CASE GASKET	1	
4	11200-HHA-010	L. CRANK CASE COMP.	1	
5	11203-M9Q-300	N/A RR. CUSH. UN. RUBBER BUSH	1	
5	11203-GC7-300	RR. CUSH. UN. RUBBER BUSH	1	Y
6	11221-HHM-000	MISSION BREATHER TUBE	1	
7	90103-M9Q-000	N/A SPECIAL BOLT 8MM	1	
7	90103-KN8-000	SPECIAL BOLT 8MM	1	Y
8	90474-M9Q-000	WASHER 8MM	1	
9	90481-M9Q-000	PLAIN 10.2MM WASHER	1	
10	92800-12000	DRAIN PLUG BOLT 12MM	1	
11	94109-12000	PLUG DRAIN WASHER 12MM	1	
12	94301-08140	DOWEL PIN 8*14	4	
13	95701-10012-08	FLANGE BOLT 10*12MM	1	
14	96001-06050-08	SH. FLANGE BOLT 6*50MM	6	
15	96001-06055-08	FLANGE BOLT ,SH 6*55MM	1	
16	11204-HHA-310	PERNO X MOLLA RITORNO CAV.CENTR.	1	

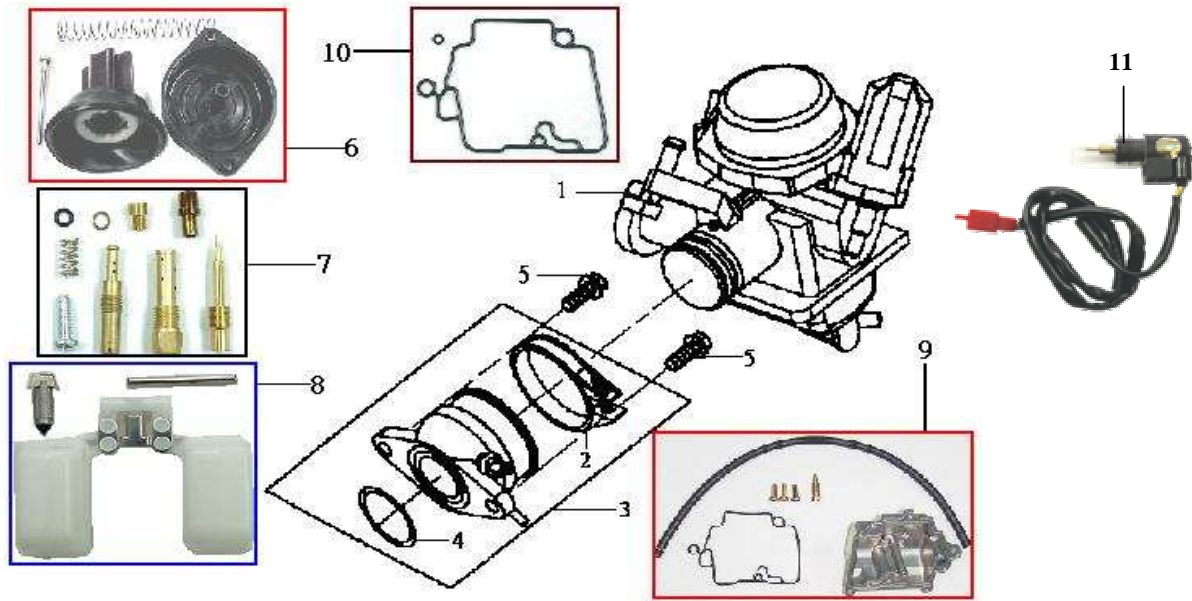
※ Please check the color & stripe information according to the color index  TEAMWORLD IND. 2006.06



Pictures reference only

PARTS NUMBER	DESCRIPTION	QTY	EFFECTIVE DATE
1 13000-HHA-000	CRANK SHAFT COMP.	1	
2 13010-HLA-000	PISTON RING SET	1	
3 13101-HLK-000	PISTON	1	
4 13111-M4Q-000	PISTON PIN	1	
5 13201-HLA-000	CONNECTING ROD	1	
6 13371-H9A-300	R. CRANK SIDE PLATE	1	
7 13381-KN7-900	CRANK PIN	1	
8 14311-H9A-300	TIMING SPROCKET	1	
9 15134-KN7-670	OIL PUMP DRIVE SPROCKET	1	
10 15441-149-000	OIL THROUGH	1	
11 15447-149-000	OIL THROUGH SPRING	1	
12 90701-HB6-010	WOODRUFF KEY 25*14*4	1	
13 91001-H9A-000	RADIAL BALL BRG. 6305	1	
14 91101-HLA-000	NEEDLE BRG 30*38*13.8	1	
15 91002-H9A-000	RAD.BALL BRG.TMB3/28*2JR2V4	1	
16 91261-415-003	OIL SEAL 25*40*7	1	
17 94601-15000	PISTON PIN CLIP 15MM	2	
18 96220-20118	ROLLER 2.0*11.8	1	

※ Please check the color & stripe information according to the color index TEAMWORLD IND. 2006.06



Pictures reference only

PARTS NUMBER	DESCRIPTION	QTY	EFFECTIVE DATE
1 16100-HHA-000-01	CARBURETOR ASS'Y	1	
2 16219-R02-000	INSULATOR BAND	1	
3 1711A-H9A-002	INLET PIPE ASS'Y	1	
4 91308-M9Q-000	O-RING 27*2.0	1	
5 96001-06018-08	FLANGE BOLT SH 6*18	2	
6 HHA-1	CARB. NEEDLE FIX SET	1	
7 HHA-2	CARB. SCREW FIX SET	1	
8 HHA-3	CARB. FLOAT FIX SET	1	
9 HHA-4	CARB. F.C.B FIX SET	1	
10 HHA-5	CARB. GASKET FIX SET	1	
11 16046-HHA-000	AUTO BY-ST ASSY	1	

※ Please check the color & stripe information according to the color index TEAMWORLD IND. 2006.06