

11384-M92-000	E01
11385-H3A-000	E01
1961A-H6B-000	E01
1962A-H6B-000	E01
19632-V02-000	E01
1963A-H3A-000	E01
32161-H6B-000	E01
70529-M9Q-000	E01
93904-35280	E01
93904-35380	E01
96001-06025-00	E01
96001-06025-08	E01
12200-H7A-000	E02
1220A-H7A-001	E02
12237-H6T-300	E02
12245-H6T-300	E02
12251-H7A-000	E02
1236A-H6B-000	E02
16201-M92-000	E02
16211-M92-000	E02
1711A-H6B-900	E02
90032-M92-300	E02
91302-001-020	E02
91305-M9Q-000	E02
91308-M9Q-000	E02
96001-06095-08	E02
1PC7E-3	E02
90031-M2Q-000	E02-1
90033-M92-000	E02-1
90442-028-000	E02-1
90443-107-000	E02-1
94050-06000	E02-1
96001-06016-08	E02-1
11221-H3A-000	E03
12300-H6B-000	E03
90682-V02-900	E03
95002-50000	E03
95701-06020-00	E03
96001-06010-00	E03
12209-MA6-003	E04
14100-H5B-000	E04
14105-A31-000	E04
14105-X01-000	E04
14108-M36-000	E04
14431-H7A-000-F2	E04
14441-H7A-000-F2	E04
14451-H6B-000	E04
14452-H6B-000	E04
14457-H7A-000	E04
14751-H6B-000	E04
14771-H6B-000	E04

14781-M9Q-000-A	E04
90012-M9Q-000	E04
90083-X01-000	E04
90206-HLK-000	E04
96001-06010-00	E04
12202-H6B-300	E04-1
12203-H6B-300	E04-1
14711-H6B-000	E04-1
14721-H6B-000	E04-1
14510-M92-000	E05
14520-M9Q-000	E05
14523-M9Q-000	E05
1453A-M92-000	E05
14610-M92-000	E05
90001-M9Q-000	E05
90005-M9Q-000	E05
91306-M9Q-000	E05
1C14401-M92-000	E05
12100-H7C-000-A	E06
12101-H7C-000	E06
12191-H6B-000	E06
94301-08140	E06
11331-H6B-000-SN	E07
1133A-H3A-000-SN	E07
11394-H6B-000	E07
1236A-V02-000	E07
15421-M9Q-000	E07
15426-M9Q-000	E07
1565A-M92-000	E07
32961-M92-000	E07
91201-GY6-903-M2	E07
94301-08140	E07
96001-06030-08	E07
96001-06095-08	E07
96001-06100-08	E07
19510-M92-000	E08
31100-H3A-010	E08
31120-H3A-010	E08
90440-M9Q-000	E08
92101-05012-0A	E08
94050-12000	E08
95701-06018-08	E08
96001-06018-08	E08
15100-H7A-000	E09
15133-M92-000	E09
15711-M92-000	E09
90602-N01-000	E09
93600-06025-0A	E09
96001-06012-08	E09
28101-M9Q-000	E10
28102-M9Q-000	E10

28110-M9Q-000	E10
28120-M9Q-000	E10
28125-M92-000	E10
2812A-M92-000	E10
31200-M92-100	E10
90002-M9Q-000	E10
90201-M9Q-000	E10
90403-M92-000	E10
90701-M9Q-000	E10
91104-M9Q-000	E10
96001-06016-08	E10
11341-H3A-000	E11
11342-M92-000	E11
11343-M92-000	E11
11382-M92-000	E11
11395-H3A-000	E11
9000A-M9Q-000	E11
9000B-M9Q-000	E11
90451-M9Q-000	E11
93500-05012-0H	E11
94301-10140	E11
94511-14000	E11
96001-06012-08	E11
22102-M92-000	E12
22105-M92-000	E12
2211A-M92-000	E12
22121-M92-000-A	E12
22131-M92-000	E12
22132-M92-000-A	E12
28230-M92-000	E12
28233-M92-000	E12
28250-H3A-000	E12
28254-M92-000	E12
28281-M92-000	E12
90203-M9Q-000	E12
90440-M9Q-000	E12
90452-M9Q-000	E12
22101-M9Q-000	E13
22300-H6T-000	E13
22350-M9Q-000	E13
22361-M9Q-000	E13
22401-H6T-000	E13
22804-M9Q-000	E13
23210-M92-000	E13
23220-H7A-000	E13
23225-M9Q-000	E13
23226-M9Q-000	E13
23233-H7A-000	E13
23237-H7C-000	E13
23238-M9Q-000	E13
90202-M9Q-000	E13

90440-M9Q-000	E13
90605-M9Q-000	E13
91001-M9Q-300	E13
91002-M9Q-300	E13
91211-M8Q-000	E13
91384-M9Q-000	E13
94520-28000	E13
23010-H5K-000	E13-1
90203-M9Q-000	E13-1
1B01H3A01	E13-1
21301-M92-000	E14
21395-H3A-000	E14
23411-M92-000	E14
23420-M92-000	E14
23421-M92-300	E14
23422-M92-300	E14
23431-H3A-000	E14
23432-M92-000	E14
91202-M9Q-300	E14
91255-M9Q-300	E14
94301-08140	E14
94510-20000	E14
96001-06025-08	E14
96001-06032-08	E14
96100-62033-00	E14
96100-62043-00	E14
96100-63013-00	E14
96150-60043-10	E14
11100-H3A-000-SN	E15
11102-H6B-300	E15
11192-H6B-000	E15
11200-H3A-000-SN	E15
11203-M9Q-300	E15
11221-H3A-000	E15
90103-M9Q-000	E15
90474-M9Q-000	E15
90481-M9Q-000	E15
91202-G03-010	E15
92800-12000	E15
94109-12000	E15
94301-08140	E15
95701-10012-08	E15
96001-06045-08	E15
96001-06055-08	E15
13000-H7C-020	E16
13010-H7C-000	E16
13101-H7C-000	E16
13111-M4Q-000	E16
13201-H7A-000	E16
1320A-H7A-000	E16
13381-M92-300	E16

14311-M92-300	E16
90702-M9Q-000	E16
91001-H6B-300	E16
91001-X06-911-M1	E16
91101-M9Q-000	E16
94601-15000	E16
16100-H5P-000-01	E17
17256-M9Q-000	E17
33100-H9B-600	F01
64300-H3F-000-KJ	F01
64300-H3F-000-SQ	F01
64301-H3F-000-KJ	F01
64301-H3F-000-SQ	F01
6430G-H3F-000-KJ	F01
6430G-H3F-000-SQ	F01
64318-H6B-000-KA	F01
81131-H3F-010-KJ	F01
81131-H3F-010-SQ	F01
93903-35320	F01
93903-35380	F01
93903-45380	F01
37200-H3A-600	F02
37211-H3A-000	F02
38301-A31-000	F02
44830-H3A-600	F02
53210-H3A-600	F02
90302-SA4-003	F02
93903-34320	F02
17910-H3A-000	F03
35340-M9Q-900	F03
35350-M70-000	F03
43450-H3A-000	F03
53105-H3A-000	F03
53140-H3A-000	F03
53166-H3A-000	F03
53167-H09-900	F03
53168-H09-000	F03
53172-H3A-000	F03
53173-GS7-003	F03
53178-H5K-000	F03
5317B-H5K-000	F03
88110-H3P-000	F03
88112-M9Q-000	F03
88120-H3P-000	F03
90115-M9Q-000	F03
90185-T31-000	F03
94001-05000-0S	F03
96001-06020-07	F03
33400-H3A-600	F04
33450-H3A-600	F04
34908-M9Q-100	F04

35150-M9Q-000	F04
35160-M9Q-000	F04
35170-M9Q-000	F04
35180-M9Q-000	F04
35200-M9Q-000	F04
53100-H3A-900	F04
53125-M9Q-000	F04
53206-H3A-010-KJ	F04
53206-H3A-010-SQ	F04
5320C-H3A-010-KJ	F04
5320C-H3A-010-SQ	F04
90106-TAA-000	F04
90304-M9Q-000	F04
91508-A26-000	F04
93903-34320	F04
93903-34480	F04
93903-35220	F04
45156-H01-000	F05
45451-N02-000	F05
50301-M9Q-000	F05
50302-M9Q-000	F05
50306-M9Q-000	F05
51400-H3F-000	F05
51500-H3F-000	F05
53200-H3A-000	F05
53211-M9Q-000	F05
53212-M9Q-000	F05
53214-M9Q-000	F05
53215-M9Q-000	F05
61100-H3F-000-KJ	F05
61100-H3F-000-SQ	F05
90164-M9Q-000	F05
95801-06012-07	F05
95801-08050-08	F05
96211-05000	F05
96211-08000	F05
44301-H3F-000	F06
44311-GW0-910	F06
44601-H9A-000-SH	F06
44620-H3A-000	F06
44800-G22-000	F06
45121-H3A-000	F06
90105-KR3-000	F06
90306-M9Q-000	F06
90754-M9Q-000-M2	F06
90912-M9Q-000-M1	F06
91258-M9Q-000-M2	F06
1T011009012-4PR	F06
32106-KBN-900	F07
45100-H3A-600	F07
45105-H3A-900-A	F07

45126-H3A-600	F07
45500-H5K-000-PX	F07
53175-H5K-000	F07
90110-T53-000	F07
90131-GW0-910	F07
90145-M9Q-000	F07
90545-M9Q-000	F07
42311-H3A-000	F08
42601-H3A-000-SH	F08
4312A-H6B-900	F08
43141-H6B-010	F08
43410-H3A-000	F08
43415-H3A-000	F08
43472-H3A-000	F08
45133-M9Q-900	F08
90305-GW0-901-M1	F08
95015-32001	F08
95015-42000	F08
95701-06032-00	F08
1T011307012-4PR-DM	F08
18000-H3P-000	F09
18291-M9Q-000	F09
18293-H12-000	F09
18318-H3F-000	F09
18328-H3A-000	F09
18410-H3A-000	F09
90110-H3A-000	F09
90111-H3A-000	F09
90301-M92-000	F09
90443-107-000	F09
95801-08038-07	F09
95801-08120-07	F09
64365-M8Q-000	F10
77100-P6A-000	F10
7720A-H3F-000-BK	F10
8125A-H3A-010-KA	F10
81260-H3A-010-KA	F10
90105-M9Q-000	F10
90301-M9Q-900	F10
90381-GZ5-000	F10
94050-06000	F10
95801-06016-08	F10
1695A-H3A-000	F11
17500-H3A-000	F11
1750A-H3A-000	F11
17620-H6P-000	F11
17660-H3A-000	F11
17770-H01-000	F11
37800-H3A-000	F11
95801-06016-08	F11
95801-06020-08	F11

50610-H3A-000-KA	F12
50613-H3A-000-KA	F12
50620-H3A-000-KA	F12
6431A-H3F-000-KA	F12
6431B-H3F-000-KA	F12
70529-M9Q-000	F12
80151-H3A-000-KA	F12
90111-M9Q-000	F12
93404-06012-08	F12
93903-34380	F12
93903-35320	F12
93903-35380	F12
93903-45380	F12
75581-M9Q-000	F13
77236-HAA-000	F13
77239-T53-000	F13
80151-H3A-000-KA	F13
83500-H3F-000-KJ	F13
83500-H3F-000-SQ	F13
83520-H3A-000-KJ	F13
83520-H3A-000-SQ	F13
83600-H3F-000-KJ	F13
83600-H3F-000-SQ	F13
83620-H3A-000-KJ	F13
83620-H3A-000-SQ	F13
87127-H5F-010	F13-1
90302-SA4-003	F13-1
90305-M9Q-000	F13-1
90677-GR1-003	F13-1
93891-05016-07	F13-1
33600-H3A-000	F14
33650-H3A-000	F14
33702-H3A-000	F14
3370A-H3A-010	F14
33741-H3A-000	F14
34906-M70-000	F14
80103-H3A-000	F14
80105-H3A-000-KA	F14
80107-H3A-000-KA	F14
80108-H3A-000	F14
8120A-H3B-000-KJ	F14
8120A-H3B-000-SQ	F14
90185-M3F-000	F14
93404-06012-08	F14
93891-06016-07	F14
93903-34380	F14
17621-H3A-000	F15
17624-H3A-000	F15
17625-H3A-000	F15
28300-HKA-000	F15
50100-H5R-000	F15

50350-H3A-000	F15
50710-H3F-000	F15
50720-H3F-000	F15
52400-H3F-000	F15
64306-H12-020	F15
77230-H3A-000	F15
77240-H3A-000	F15
81202-H5K-000	F15
90105-H6B-900	F15
90106-M9Q-900	F15
90121-M9Q-000	F15
94050-06080	F15
94050-10080	F15
95801-06012-08	F15
95801-06022-07	F15
95801-08016-08	F15
95801-08032-08	F15
95801-10040-08	F15
30410-M92-000	F16
3051A-H3A-010	F16
30700-M92-000	F16
31600-N28-000	F16
32100-H3A-000	F16
35010-H3A-600	F16
35100-H3A-600	F16
3585A-H3A-010	F16
38110-H3A-000	F16
77233-M9Q-000	F16
77239-T53-000	F16
90164-X01-000	F16
95801-06012-08	F16
95801-08012-08	F16
1Y01KV701-Y	F16
50505-H3A-000	F17
5050A-H3A-600	F17
50512-H6B-000	F17
5052A-X07-980	F17
50530-H3A-600	F17
5053A-M70-000	F17
50542-M70-000	F17
89010-M92-000	F17
90108-G03-000	F17
90304-M9Q-000	F17
90309-M9Q-000-M2	F17
11346-M9Q-000	F18
1134B-H3B-000	F18
17200-H3M-000	F18
17211-H3A-000	F18
1724A-H3A-000	F18
93404-06016-08	F18
93903-25480	F18

11000
12000
13000
14000
15000
16000
17000
18000
19000
21000
22000
23000
28000
30000
31000
32000
33000
34000
35000
37000
38000
42000
43000
44000
45000
50000
51000
52000
53000
61000
64000
70000
75000
77000
80000
81000
83000
87000
88000
89000
90000
91000
92000
93000
94000
95000
96000

DRIVE BELT
CAM CHAIN
SPARK PLUG

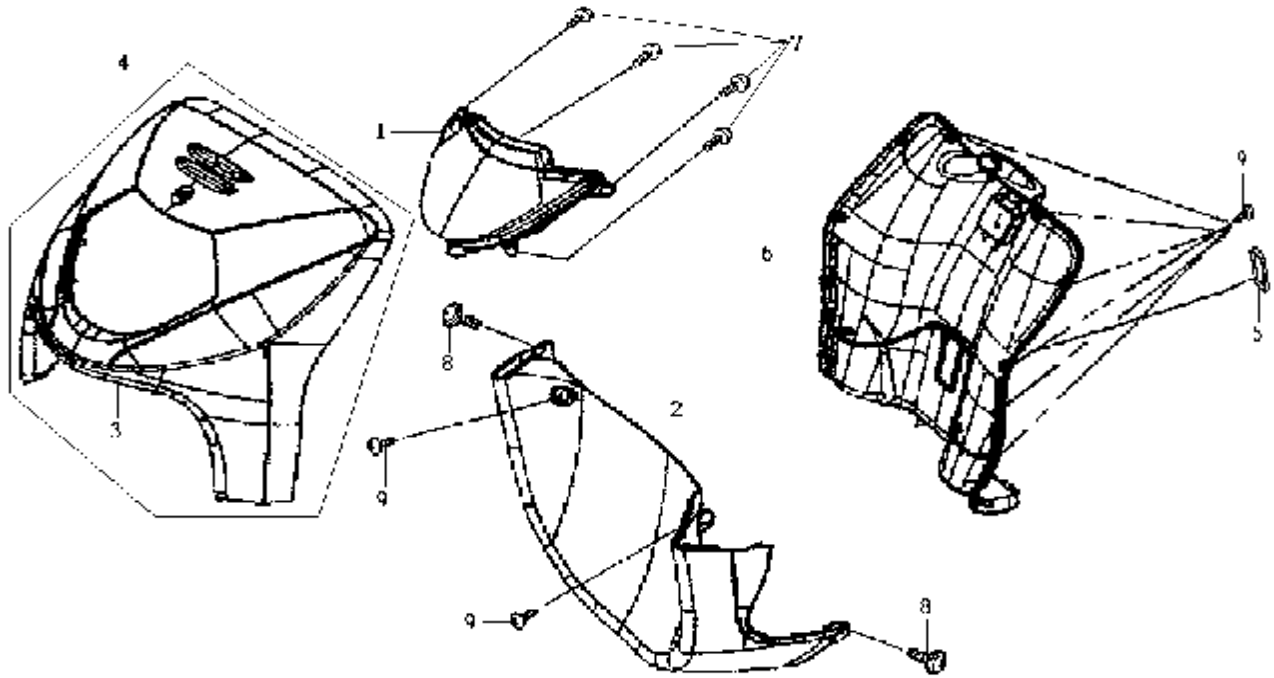
TIRE
BATTERY

ENGINE GROUP

- E01** FAN COVER.SHROUD
- E02** CYLINDER HEAD
- E02-1** CYLINDER HEAD
- E03** CYLINDER HEAD L. COVER
- E04** CAM SHAFT .VALVE
- E04-1** CAM SHAFT .VALVE
- E05** CAM CHAIN.TENSIONER
- E06** CYLINDER
- E07** R. CRANK CASE COVER
- E08** AC. GENERATOR
- E09** OIL PUMP
- E10** STARTING MOTOR
- E-11** L. CRANK CASE COVER
- E-12** DRIVE FACE
- E-13** DRIVEN PULLEY
- E-13-1** DRIVEN PULLEY
- E-14** TRANSMISSION
- E-15** CRANK CASE
- E-16** CRANK.PISTON
- E17** CARBURETOR

FRAME BODY GROUP

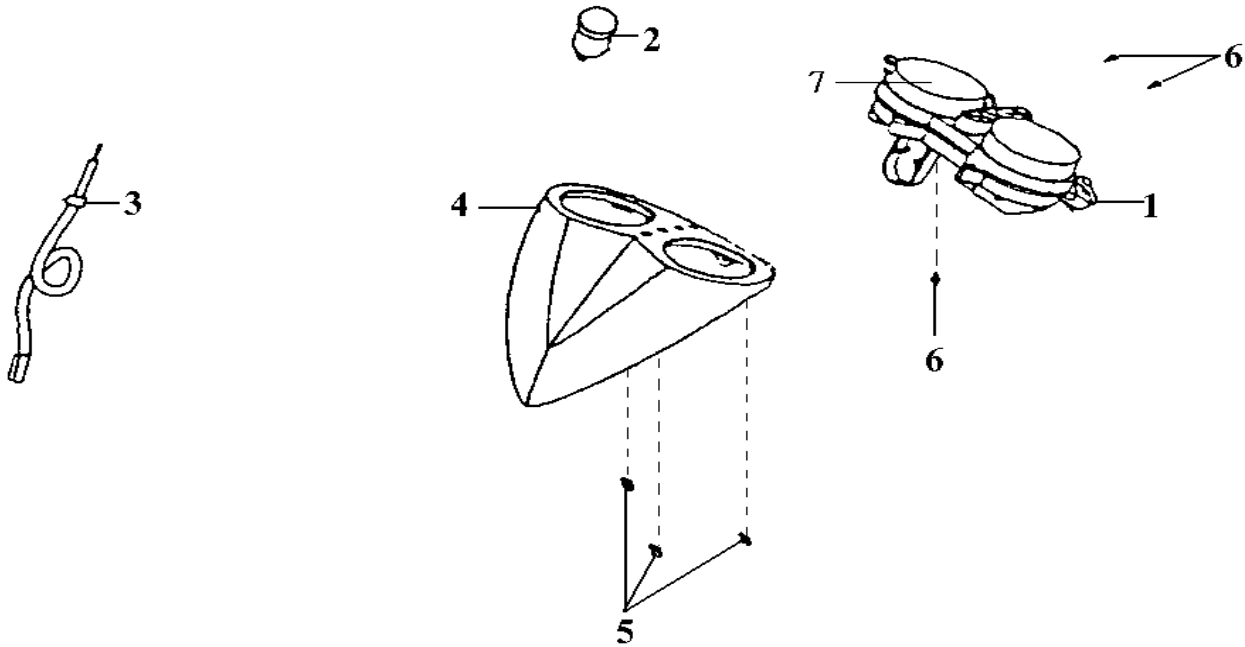
- F01** Head Light
- F02** Speedometer Assy
- F03** Handle lever. Switch. Cable
- F04** Steering Handle . Handle cover
- F05** Front Fender
- F06** Front Fork
- F07** Front Inner Box
- F08** Front Wheel
- F09** Front Brake
- F10** Rear Wheel
- F11** EXH Muffler
- F12** Seat. Luggage Box
- F13** Fuel Tank
- F14** Floor Panel
- F15** Body Cover
- F16** Tail Light Rear Carrier
- F17** Frame Body
- F18** Wire Harness
- F19** Main Stand . Side stand
- F20** Air Cleaner



MODEL(S)	CHANGE DATE	A P P L Y	Q T Y R E Q	DESCRIPTION
<i>HF15W1-6</i>				
PARTS NUMBER	BLOCK NO. A-1			
1 33100-H9B-600			1	HEAD LIGHT ASS'Y
2 64300-H3F-000-KJ 64300-H3F-000-SQ			1	FR. UNDER SPOILER
3 64301-H3F-000-KJ 64301-H3F-000-SQ			1	FR. COVER
5 64318-H6B-000-KA			1	FRAME NUMBER LID
6 81131-H3F-010-KJ 81131-H3F-010-SQ			1	FR. INNER COVER
7 93903-35320			4	TAPPING SCREW 5*16
8 93903-35380			2	TAPPING SCREW 5*16
9 93903-45380			12	TAPPING SCREW 5X16

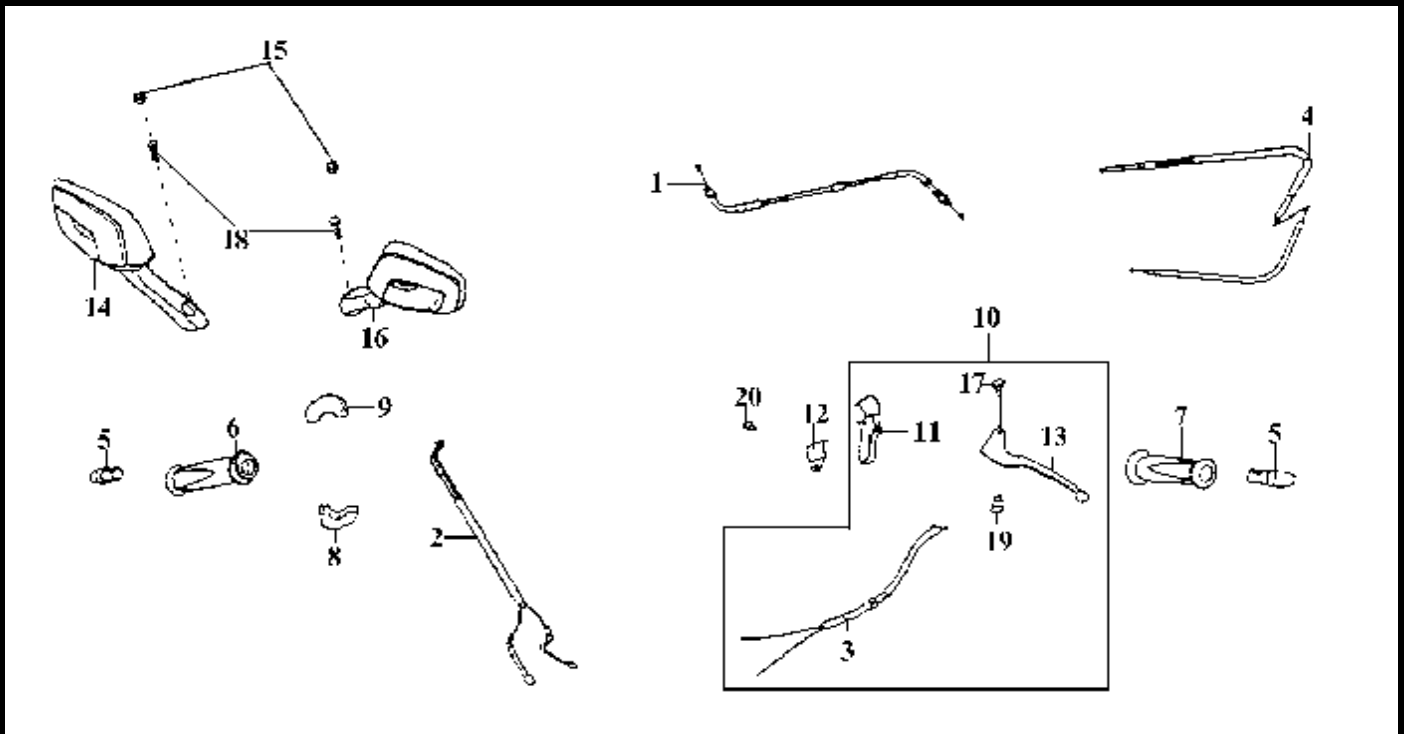


F02 Speedometer Assy



MODEL(S) <i>HF15W1-6</i>		A	Q	
BLOCK NO. .A-1	CHANGE DATE	P	T	
PARTS NUMBER		L	Y	DESCRIPTION
		Y	R	
			E	
			Q	
1. 37200-H3A-600			1	Speedometer assy
2. 38301-A31-000			1	Winker relay comp
3. 44830-H3A-600			1	Speedometer cable comp
4. 53210-H3A-600			1	Meter cover
5. 90302-M9Q-800			3	Clip nut 4mm
6. 93903-34320			3	Tapping screw 4x12
7. 37211-H3A-000			1	Meter lens

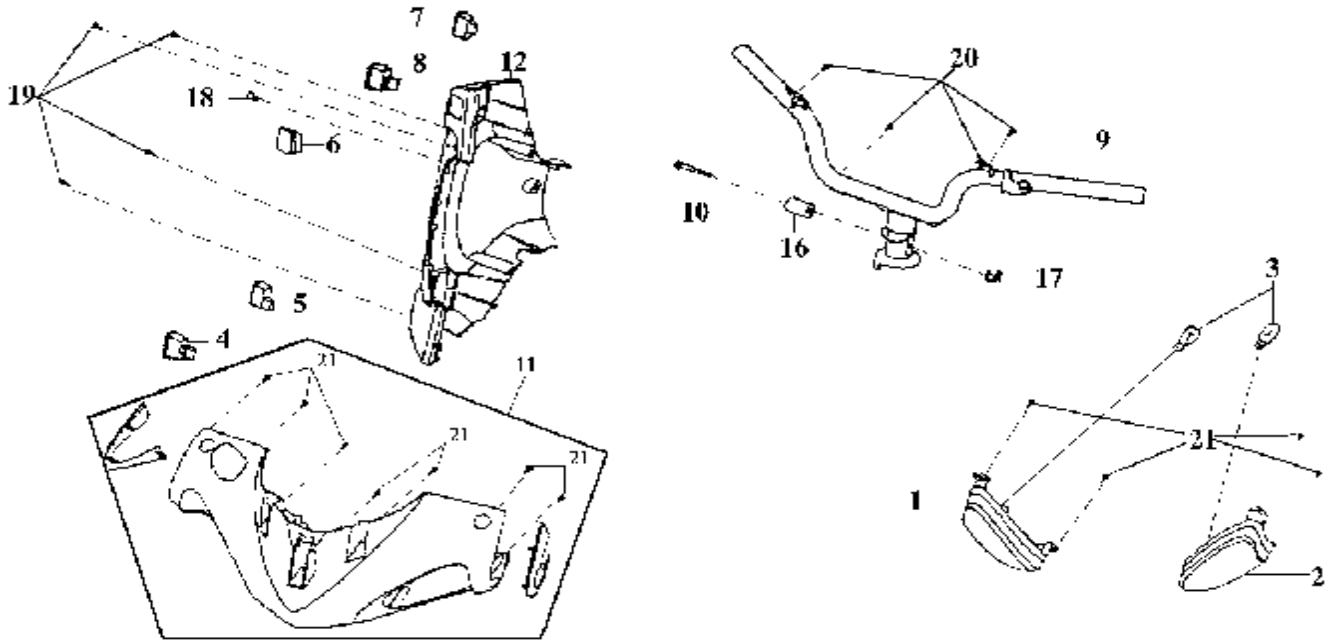




MODEL(S) <i>HF15W1-6</i>		A P P L Y	Q T Y R E Q	
BLOCK NO. .A-1 PARTS NUMBER	CHANGE DATE			DESCRIPTION
1. 17910-H3A-000			1	Throttle cable comp
2. 35340-M9Q-900			1	FR. Stop sw. cord comp
3. 35350-M70-000			1	RR. Stop sw. assy
4. 43450-H3A-000			1	RR. Brake cable comp
5. 53105-H3A-000			2	Strg. Handle end
6. 53140-H3A-000			1	Throt. Grip comp
7. 53166-H3A-000			1	L. handle grip
8. 53167-H09-900			1	Und. Throt. Housing
9. 53168-H09-000			1	UP. Throt. Housing
10. 5317B-H5K-000			1	L. Strg. Handle lever assy
11. 53172-H3A-000			1	L. handle lever braket
12. 53173-GS7-003			1	Handle brkt band
13. 53178-H5K-000			1	L. handle lever
14. 88110-H3P-000			1	R. back mirror assy
15. 88112-M9Q-000			2	Socket bolt cap 8mm
16. 88120-H3P-000			1	L. back mirror assy
17. 90115-M9Q-000			1	Handle lever pivot screw
18. 90185-T31-000			2	Socket bolt 8x38
19. 94001-05000-0S			1	Hex nut 5mm
20. 96001-06020-07			1	Flange bolt (SH) 6x20



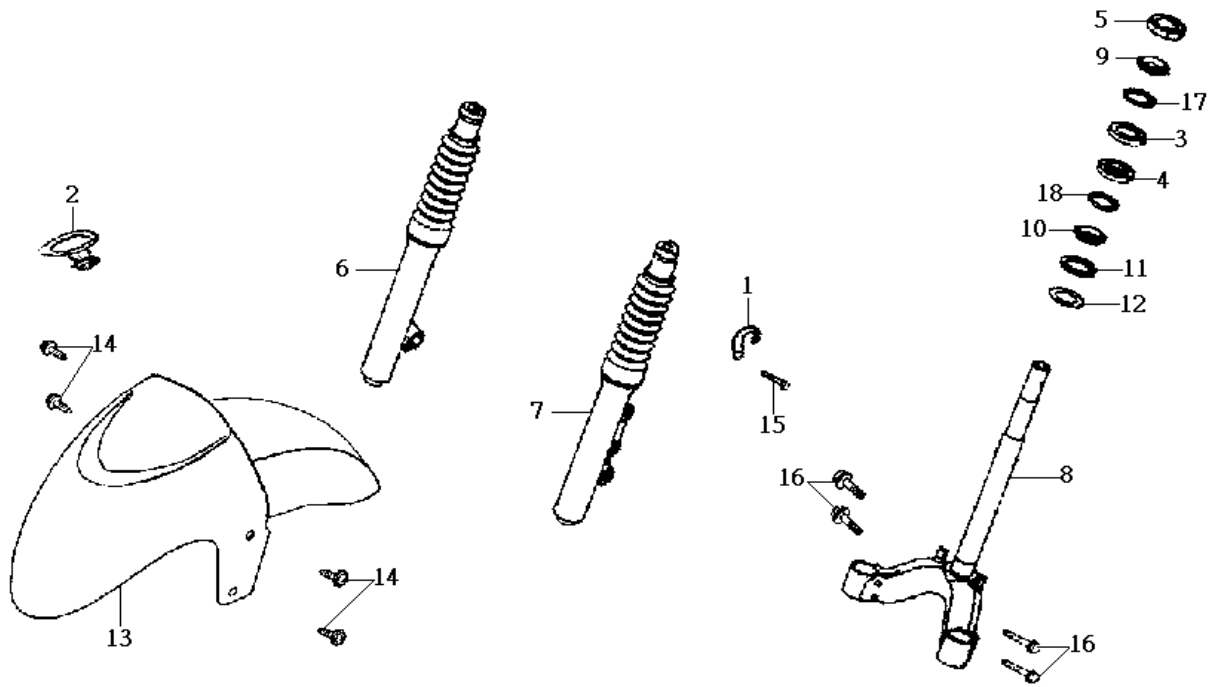
F04 Steering Handle . Handle cover



MODEL(S)	CHANGE DATE	APPLY	QTY REQ	DESCRIPTION
<i>HF15W1-6</i>				
BLOCK NO. .A-1				
PARTS NUMBER				
1. 33400-H3A-600			1	R. winker assy
2. 33450-H3A-600			1	L. winker assy
3. 34908-M9Q-100			4	Winker bulb 12V10W
4. 35150-M9Q-000			1	Light SW. unit
5. 35160-M9Q-000			1	Start SW. unit
6. 35170-M9Q-000			1	Dimmer SW. unit
7. 35180-M9Q-000			1	Horn SW. unit
8. 35200-M9Q-000			1	Winker SW. unit
9. 53100-H3A-900			1	STRG. Handle comp
10. 53125-M9Q-000			1	Handle set collar
11. 5320C-H3A-010-KJ			1	FR. Handle cover assy
5320C-H3A-010-SQ			1	FR. Handle cover assy
12. 53206-H3A-010-KJ			1	RR. Handle cover
53206-H3A-010-SQ			1	RR. Handle cover
16. 90106-TAA-000			1	Flange bolt 10x50
17. 90304-M9Q-000			1	Flange U nut 10mm
18. 91508-A26-000			1	Pan screw 5x7
19. 93903-34480			4	Tapping screw 4x16
20. 93903-35220			4	Tapping screw 5x12
21. 93903-34320			11	Tapping screw 4x12



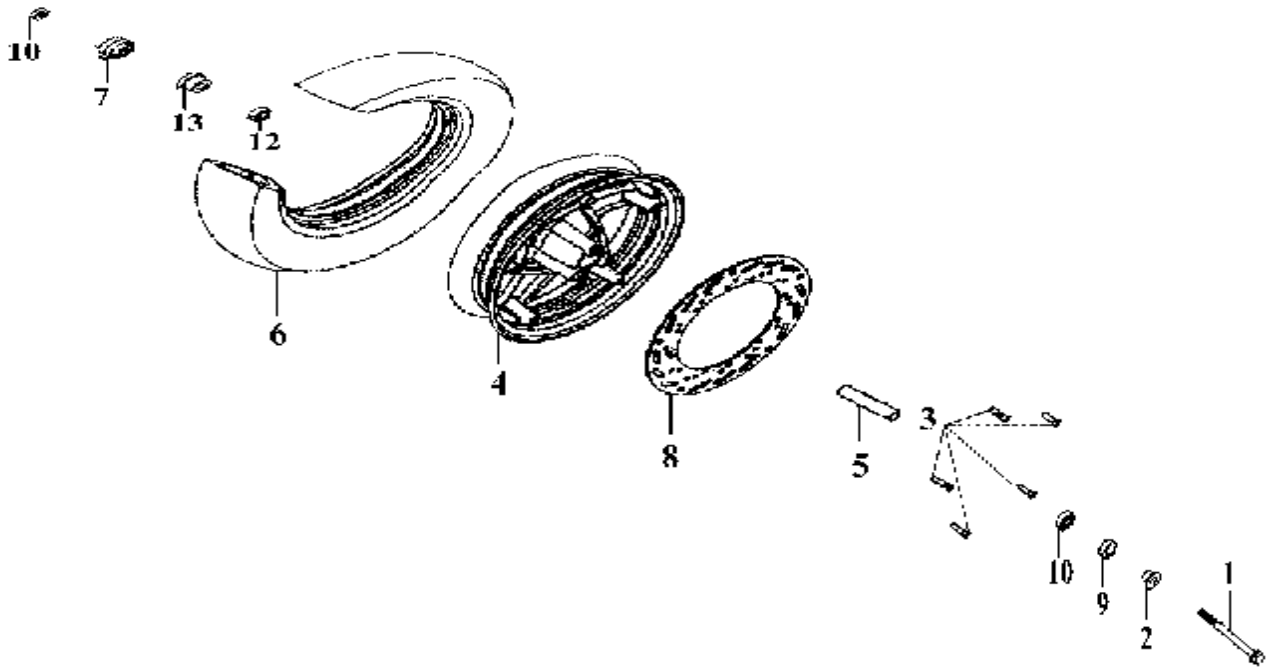
TEAMWORLD IND. 2004



MODEL(S)	CHANGE DATE	A P P L Y	Q T Y R E Q	DESCRIPTION
<i>HF15W1-6</i>				
PARTS NUMBER	BLOCK NO. A-1			
1 45156-H01-000			1	FR. BRAKE HOSE CLAMP
2 45451-N02-000			1	WIRE GROMMET
3 50301-M9Q-000			1	STRG. UP RACE BALL
4 50302-M9Q-000			1	BALL RACE(STRG. BOT.)
5 50306-M9Q-000			1	STRG. STEM LOCK NUT
6 51400-H3F-000			1	FR/R CUSHION ASSY
7 51500-H3F-000			1	FR/L CUSHION ASSY
8 53200-H3A-000			1	STRG. STEM COMP.
9 53211-M9Q-000			1	F STRG. TOP CONE RACE
10 53212-M9Q-000			1	CONE RACE(STRG. BOTTOM)
11 53214-M9Q-000			1	STRG. DUST SEAL
12 53215-M9Q-000			1	STRG. DUST SEAL WASHER
13 61100-H3F-000-KJ 61100-H3F-000-SQ			1	FR FENDER
14 90164-M9Q-000			4	SPECIAL SCREW 6MM
15 95801-06012-07			1	FLANGE BOLT 6*12
16 95801-08050-08			4	FLANGE BOLT M8*50
17 96211-05000			1	BALL. STEEL 5
18 96211-08000			1	STEEL BALL 8mm

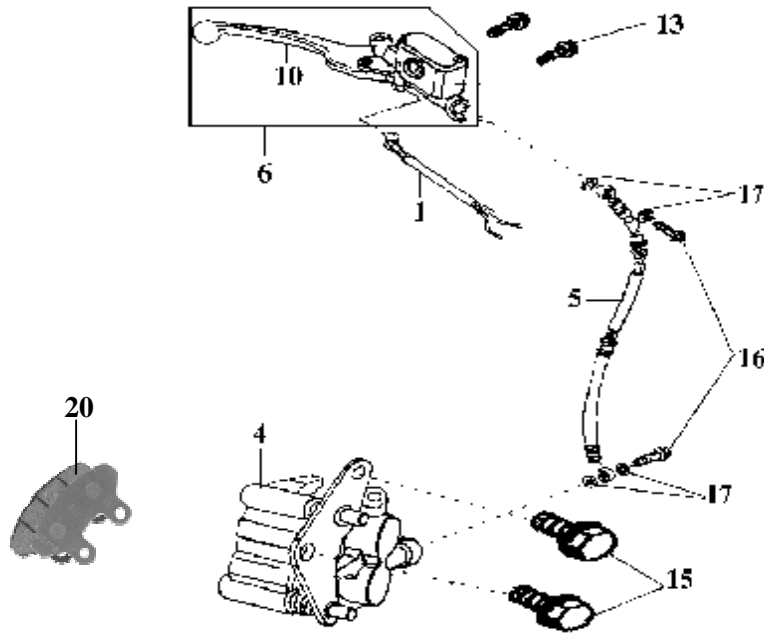


F06 Front Wheel



MODEL(S) <i>HF15W1-6</i>	CHANGE DATE	A P P L Y	Q T Y R E Q	DESCRIPTION
BLOCK NO. .A-1				
PARTS NUMBER				
1. 44301-H3F-000			1	FR. Wheel axle
2. 44311-GW0-910			1	FR. Wheel side collar
3. 90105-KR3-000			5	FR. Disk bolt 8x24
4. 44601-H9A-000-SH			1	FR. Cast wheel comp
5. 44620-H3A-000			1	FR. Axle disk collar
6. 1T011009012-4PR			1	Tire set 100-90-12
7. 44800-G22-000			1	SPDMT. Gear box assy
8. 45121-H3A-000			1	FR. Brake disk
9. 90754-M9Q-000-M2			1	Dust seal
10. 90306-M9Q-000			1	Flange U nut 12mm
12. 90912-M9Q-000-M1			2	Radial ball 6201 U
13. 91258-M9Q-000-M2			1	SPDMT. Gear seal

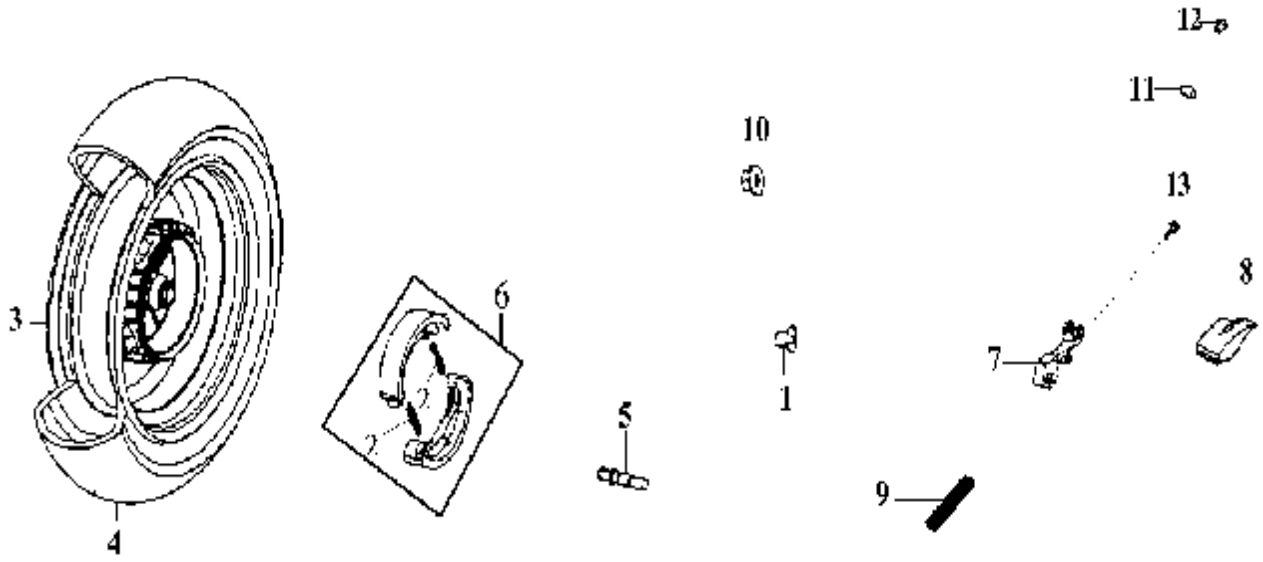




MODEL(S) <i>HF15W1-6</i>		A P P L Y	Q T Y R E Q	
BLOCK NO. .A-1 PARTS NUMBER	CHANGE DATE			DESCRIPTION
1. 32106-KBN-900			1	SUB. Harness
4. 45100-H3A-600			1	FR. L. caliper ass'y
5. 45126-H3A-600			1	FR. Brake hose comp
6. 45500-H5K-000-RX			1	FR. Master cylinder ass'y
10. 53175-H5K-000			1	R. handle lever
13. 90110-T53-000			2	Flange bolt SH 6x12
15. 90131-GW0-910			2	Flange bolt 8x35
16. 90145-M9Q-000			2	Oil bolt 10x22
17. 90545-M9Q-000			4	Oil washer bolt
20. 45105-H3A-900-A			1	Brake pad set



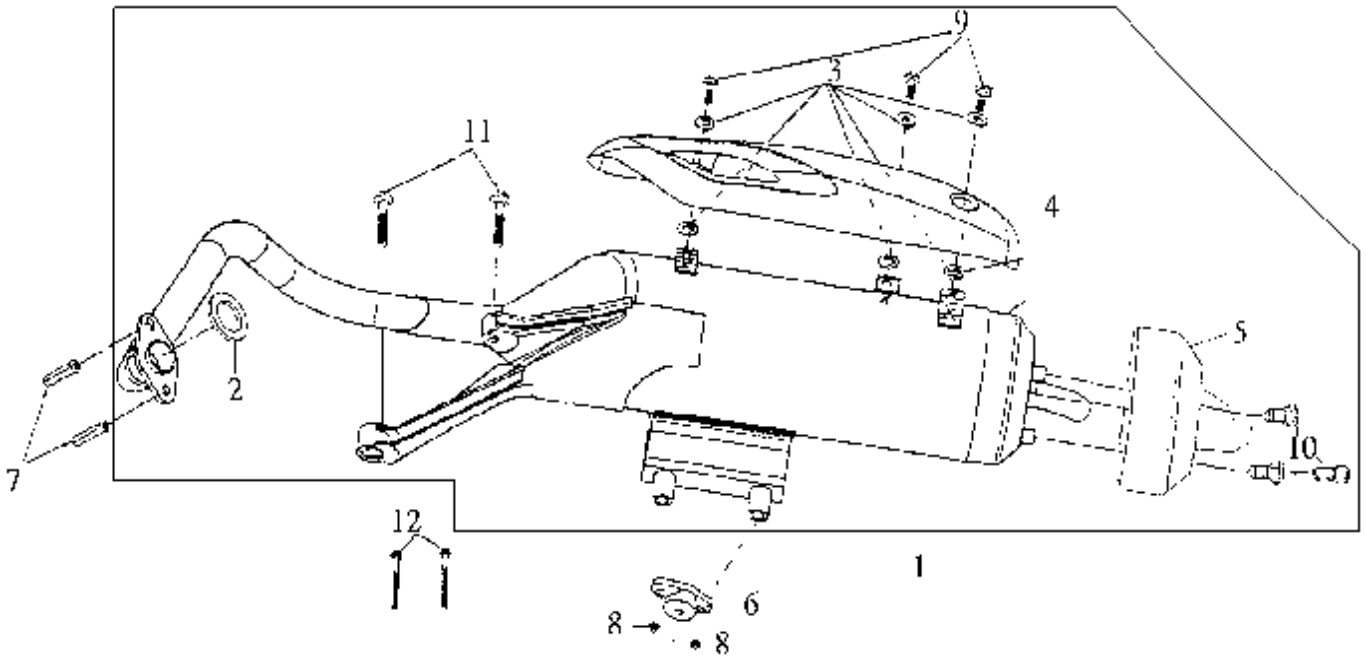
F08 Rear Wheel



MODEL(S) <i>HF15W1-6</i>		A	Q	
BLOCK NO. .A-1 PARTS NUMBER	CHANGE DATE	P	T	DESCRIPTION
		L	Y	
		Y	R	
			E	
			Q	
1. 42311-H3A-000			1	RR. Axle side collar
2. 45133-M9Q-900			2	Brake shoe spring
3. 42601-H3A-000-SH			1	RR. Cast wheel comp
4. 1T011307012-4PR-DM			1	Tubless tire set 130-70-12
5. 43141-H6B-010			1	RR. Brake cam
6. 4312A-H6B-900			1	RR. Brake shoe assy
7. 43410-H3A-000			1	RR. Brake arm comp
8. 43415-H3A-000			1	RR. Brake arm cover
9. 43472-H3A-000			1	RR. Brake roturm spring
10. 90305-GW0-901-M1			1	Flange U unt 14mm
11. 95015-32001			1	Brake arm joint B
12. 95015-42000			1	Adjust nut B
13. 95701-06032-00			1	Flange bolt 6x32



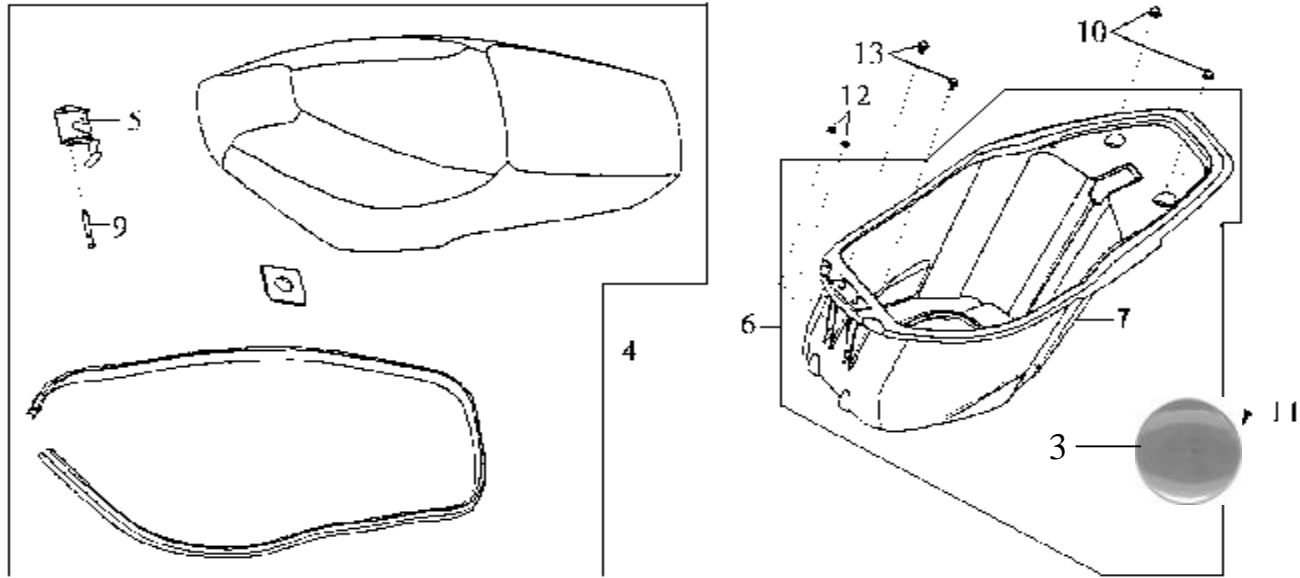
TEAMWORLD IND. 2004



MODEL(S) <i>HF15W1-6</i>		A P P L Y	Q T Y R E Q	
BLOCK NO. .A-1 PARTS NUMBER	CHANGE DATE			DESCRIPTION
1. 18000-H3P-000			1	EXH. Muffler assy
2. 18291-M9Q-000			1	EXH. Pipe gasket
3. 18293-H12-000			6	Protector packing
4. 18318-H3F-000			1	Muffler protector
5. 18328-H3A-000			1	RR. Muffler protector
6. 18410-H3A-000			1	Muffler RR. Mount assy
7. 90301-M92-000			2	Muffler joint nut 7mm
8. 90443-107-000			2	Cap nut 8mm
9. 90110-H3A-000			3	Special screw 6mm
10. 90111-H3A-000			3	Special screw 5mm
11. 95801-08038-07			2	Flange bolt 8x38
12. 95801-08120-07			2	Flange bolt 8x120



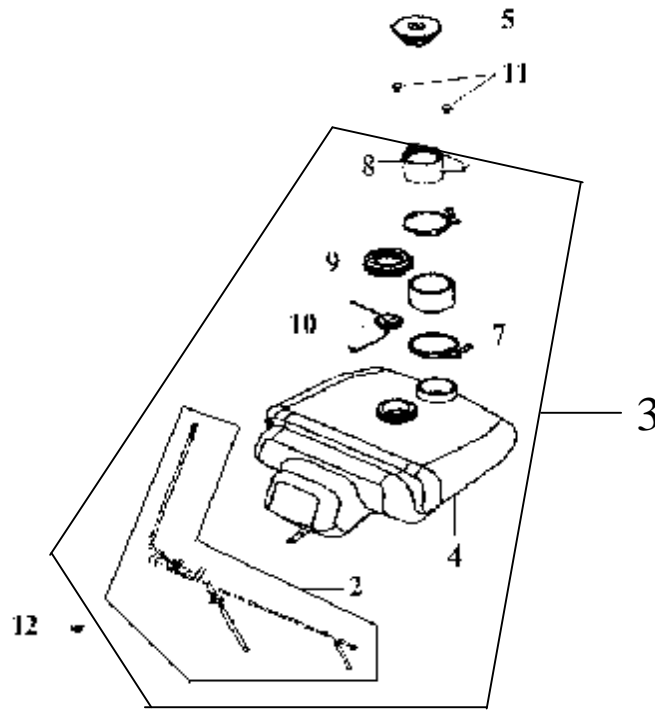
F10 Seat. Luggage Box



MODEL(S)	BLOCK NO. .A-1	CHANGE DATE	A P P L Y	Q T Y R E Q	DESCRIPTION
HF15W1-6					
				1	Fr. Cover cap
				1	Double seat assy
				1	Seat hinge
				1	Luggage box assy
				1	Luggage box
				1	Seat hinge pin
				2	Open stay nut 6mm
		24/11/2003		1	Special screw 6x17
				2	Flange nut 6mm
				2	Flange bolt 6x16

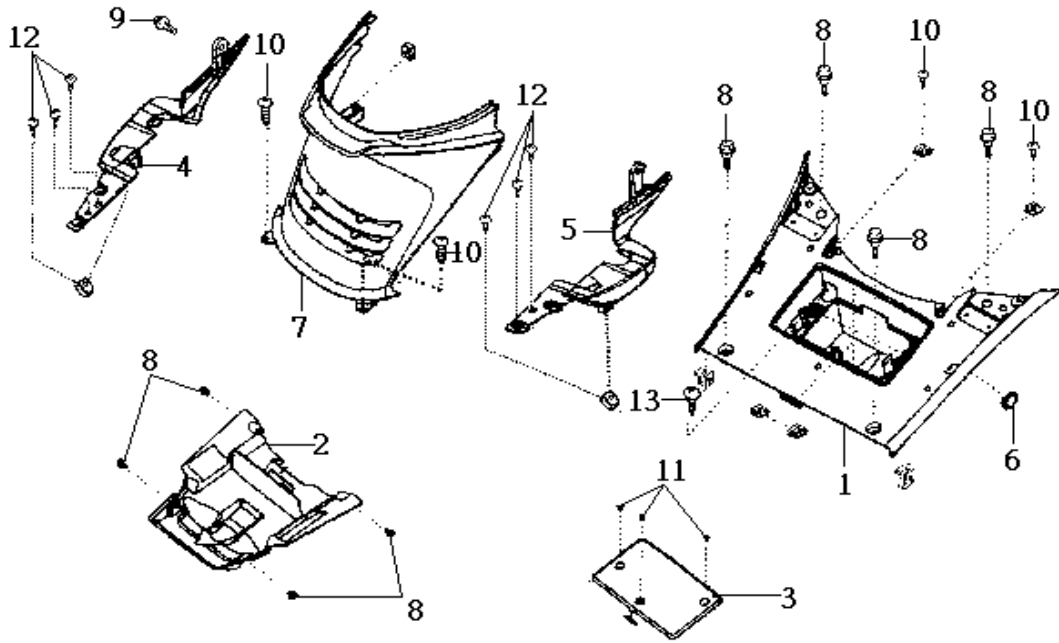


TEAMWORLD IND. 2004

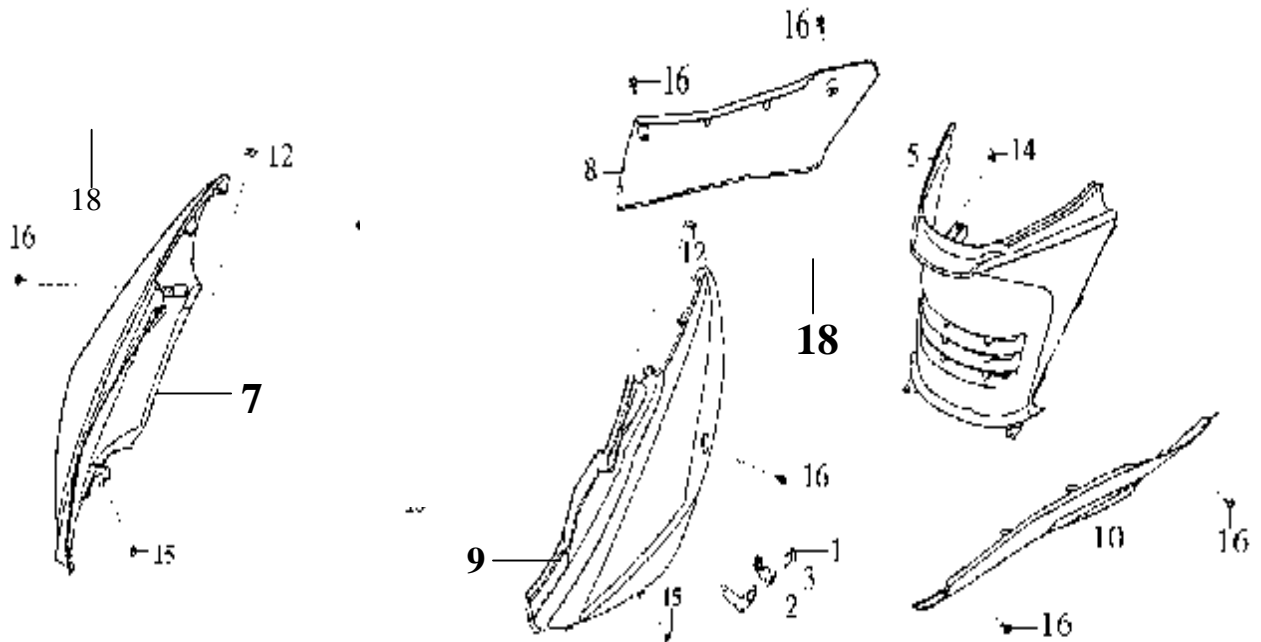


MODEL(S) <i>HF15W1-6</i>		A P P L Y	Q T Y R E Q	
BLOCK NO. .A-1 PARTS NUMBER	CHANGE DATE			DESCRIPTION
2. 1695A-H3A-000			1	Fuel cock assy
3. 1750A-H3A-000			1	Fuel tank assy
4. 17500-H3A-000			1	Fuel tank comp
5. 17620-H6P-000			1	Fuel tank cap comp
8. 17660-H3A-000			1	Filler pipe comp
9. 17770-H01-000			1	Fuel tank lock nut
10. 37800-H3A-000			1	Fuel nut
11. 95801-06016-08			2	Flange bolt 6x16
12. 95801-06020-08			1	Flange bolt 6x20

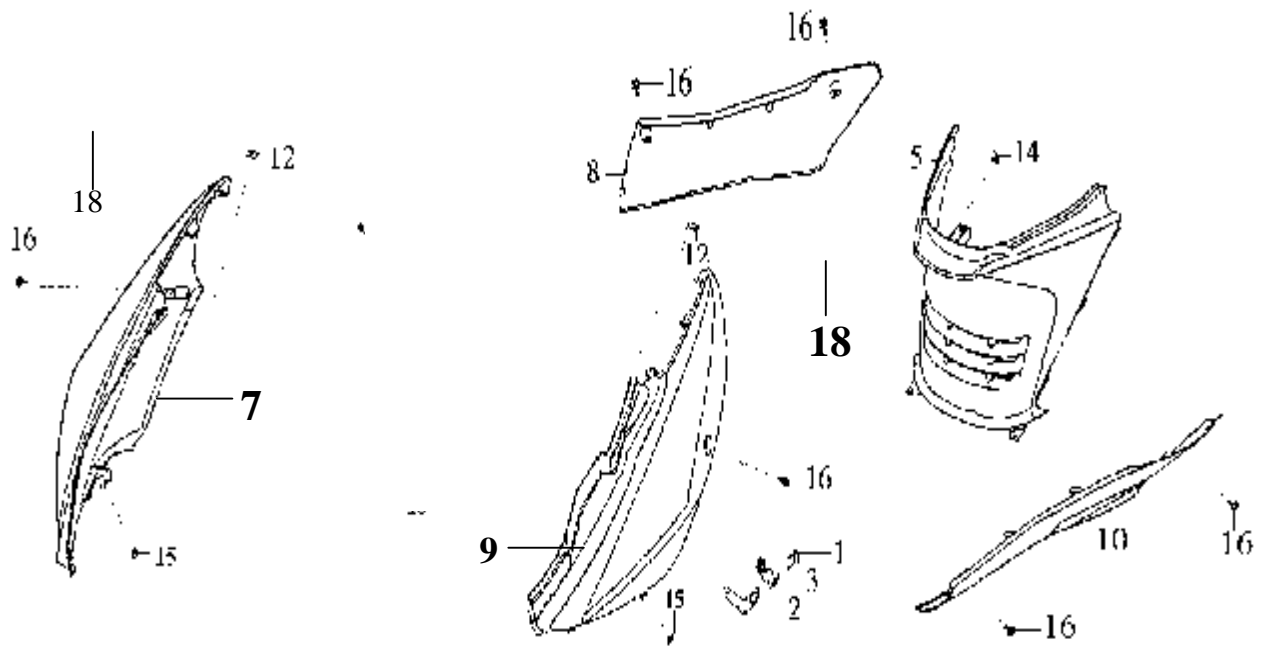




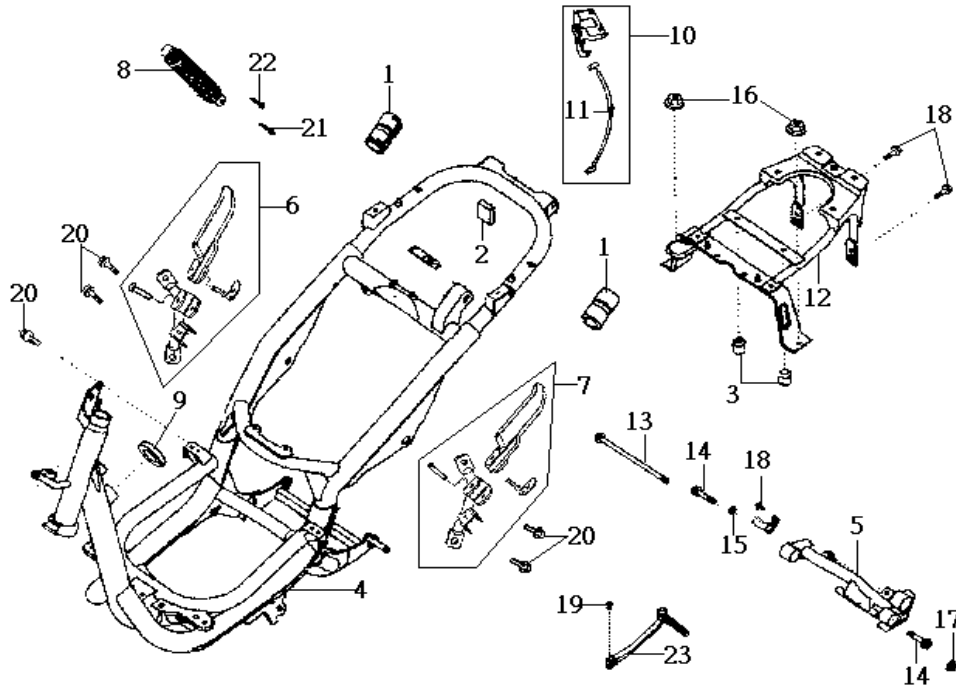
MODEL(S) <i>HF15W1-6</i>	CHANGE DATE	A P P L Y	Q T Y R E Q	DESCRIPTION
BLOCK NO. A-1				
PARTS NUMBER				
1 50610-H3A-000-KA			1	FLOOR PANEL
2 50613-H3A-000-KA			1	UNDER COVER
3 50620-H3A-000-KA			1	BATTERY LID
4 6431A-H3F-000-KA			1	RR/R FLOOR PANEL
5 6431B-H3F-000-KA			1	RR/L FLOOR PANEL
6 70529-M9Q-000			1	SIDE PANEL GROMMET B
7 80151-H3A-000-KA			1	CENTER COVER
8 90111-M9Q-000			4	FLANGE BOLT 6MM
9 93404-06012-08			2	BOLT. WASH 6*12
10 93903-34380			4	TAPPING SCREW 4*12
11 93903-35320			3	F TAPPING SCREW 5*16
12 93903-35380			6	TAPPING SCREW 5*16
13 93903-45380			1	TAPPING SCREW 5X16
14 64320-H3A-000-KA			1	FLOOR MAT



MODEL(S) HF15W1-6		A	Q	
BLOCK NO. .A-1	CHANGE DATE	P	T	
PARTS NUMBER		L	Y	DESCRIPTION
1. 75581-M9Q-000			1	Lock key set spring
2. 77236-HAA-000			1	Seat lock washer
3. 77239-T53-000			1	Key seat lock
5. 80151-H3A-000-KA			1	Center cover
7. 83500-H3F-000-KJ			1	R. body cover ass'y
83500-H3F-000-SQ			1	R. body cover ass'y
8. 83520-H3A-000-KJ			1	R. side cover
83520-H3A-000-SQ			1	R. side cover
9. 83600-H3F-000-KJ			1	L. body cover ass'y
83600-H3F-000-SQ			1	L. body cover ass'y
10. 83620-H3A-000-KJ			1	L. side cover
83620-H3A-000-SQ			1	L. side cover

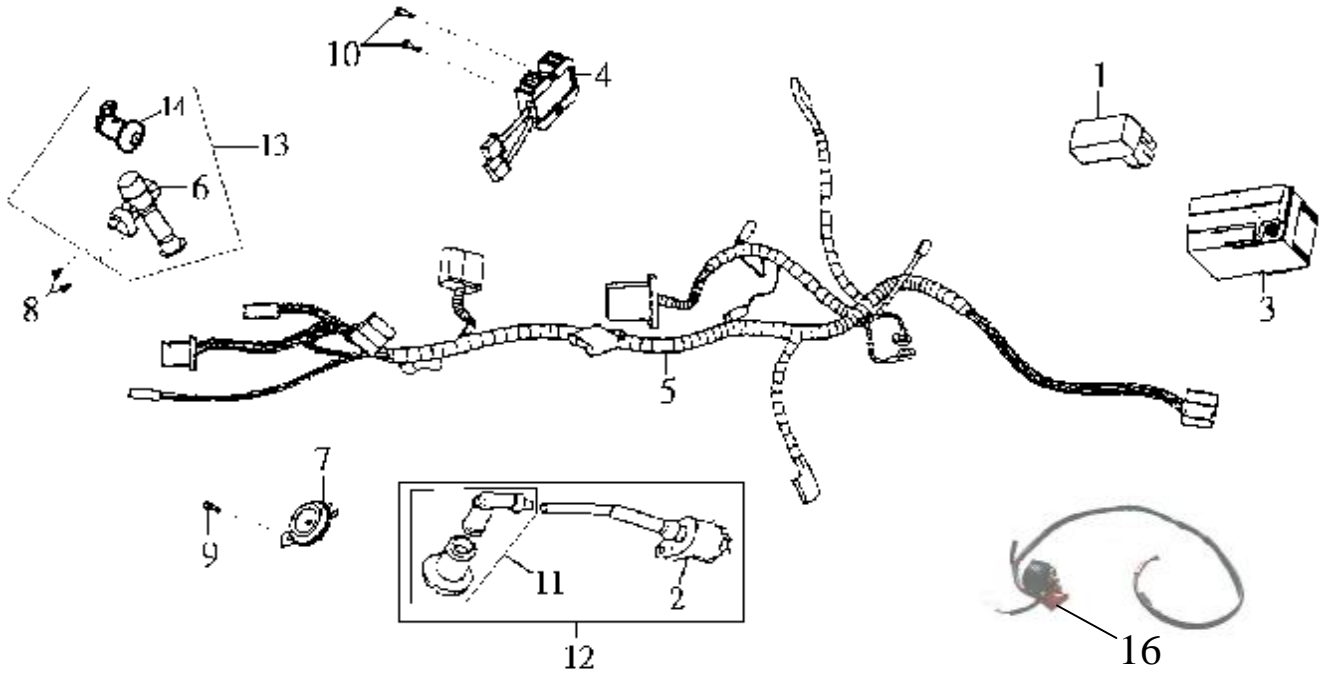


MODEL(S) HF15W1-6	BLOCK NO. .A-1	A P P L Y	Q T Y R E Q	
PARTS NUMBER	CHANGE DATE			DESCRIPTION
12. 90302-M9Q-800	#####		2	Spring nut 4mm
14. 90305-M9Q-000			1	Clip nut 6mm
15. 90677-M9Q-000	#####		2	Clip nut 5mm
16. 93891-05016-07			6	Washer screw 5x16
18. 87127-H5F-010			2	Body cover emblem



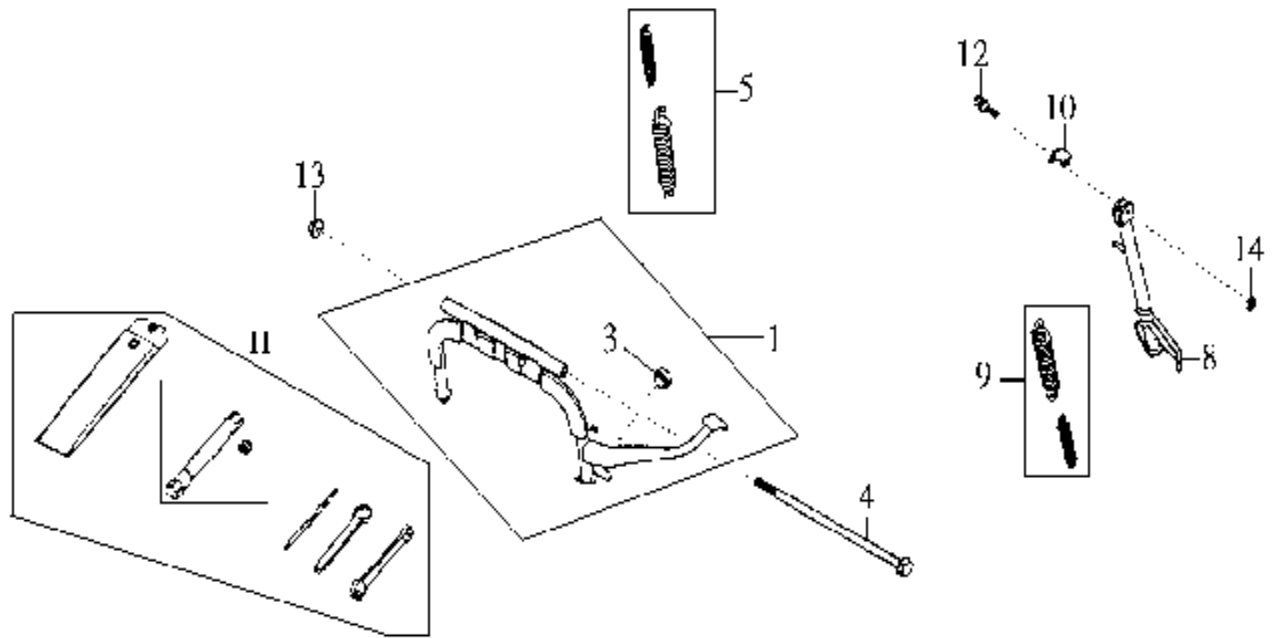
MODEL(S) <i>HF15W1-6</i>		CHANGE DATE	A P P L Y	Q T Y R E Q	DESCRIPTION
BLOCK NO. A-1					
PARTS NUMBER					
1	17621-H3A-000			2	FUEL TANK PAD RUBBER A
2	17624-H3A-000			1	FUEL TANK SPONGE
3	17625-H3A-000			2	F FUEL TANK PAD RUBBER
4	50100-H5R-000			1	FRAME BODY COMP.
5	50350-H3A-000			1	ENG. HANGER COMP.
6	50710-H3F-000			1	R. PILLION STEP ASS'Y
7	50720-H3F-000			1	L. PILLION STEP ASS'Y
8	52400-H3F-000			1	RR. CUSHION ASS'Y
9	64306-H12-020			1	INNER BOX SPONGE
10	77230-H3A-000			1	SEAT CATCH ASS'Y
11	77240-H3A-000			1	SEAT LOCK CABLE
12	81202-H5K-000			1	RR. CARRIER BRKT.
13	90105-H6B-900			1	FLANGE BOLT 10*204
14	90106-M9Q-900			2	FLANGE BOLT 10*55
15	90121-M9Q-000			1	DISTANCE COLLAR
16	94050-06080			2	NUT.FLANGE 6MM
17	94050-10080			1	NUT. FLANGE. 10MM
18	95801-06012-08			2	FLANGE BOLT 6*12
19	95801-06022-07			1	FLANGE BOLT 6*22
20	95801-08016-07			4	FLANGE BOLT 8*16
21	95801-08032-08			1	FLANGE BOLT 8*32
22	95801-10040-08			1	BOLT. FLANGE. 10*40
23	28300-HKA-000			1	KICK STARTER ARM

F16 Wire Harness



MODEL(S)		A	Q	
BLOCK NO. .A-1	CHANGE	P	T	
PARTS NUMBER	DATE	P	Y	DESCRIPTION
1. 30410-M92-000			1	C.D.I. Unit assy
3. 1Y01KV701-Y			1	Battery assy YTX9-BS
4. 31600-N28-000			1	Reg. Rec. assy
31600-M9Q-000	#####	N		
5. 32100-H3A-000			1	Wire harness
6. 35100-H3A-600			1	Comp & lock SW. assy
7. 38110-H3A-000			1	Horn comp
8. 90164-X01-000			2	Flat lock screw 6x12
9. 95801-08012-08			1	Flange bolt 8x12
10. 95801-06012-08			2	Flange bolt 6x12
11. 30700-M92-000			1	Spark plug cap
12. 3051A-H3A-010			1	I. G. N. Coil ass'y
13. 35010-H3A-600			1	Key set
14. 77239-T53-000			1	Key seat lock
16. 3585A-H3A-010			1	Star mag. Switch set

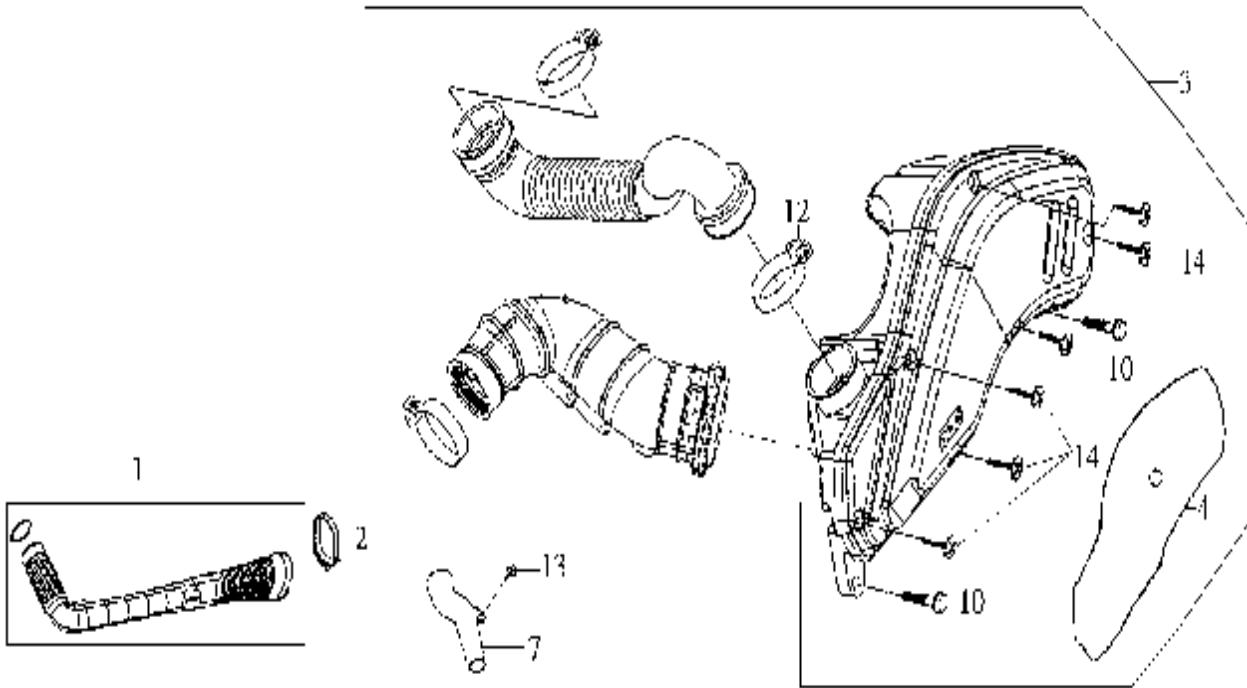




MODEL(S) <i>HF15W1-6</i>	CHANGE DATE	A P P L Y	Q T Y R E Q	
BLOCK NO. .A-1 PARTS NUMBER				DESCRIPTION
1. 5050A-H3A-600			1	Main stand assy
3. 50505-H3A-000			1	Main stand stop rubber
4. 50512-H6B-000			1	Main stand pivot bolt
5. 5052A-X07-980			1	Main stand spring assy
8. 50530-H3A-600			1	Side stand comp
9. 5053A-M70-000			1	Side stand spring assy
10. 50542-M70-000			1	Spring plate hook
11. 89010-M92-000			1	Tool set
12. 90108-G03-000			1	Side stand pivot screw
13. 90304-M9Q-000			1	Flange U nut 10mm
14. 90309-M9Q-000-M2			1	Flange U nut 8mm



F18 Air Cleaner



MODEL(S) <i>HF15W1-6</i>		A	Q	
BLOCK NO. .A-1	CHANGE DATE	P	T	
PARTS NUMBER		L	R	DESCRIPTION
1. 1134B-H3B-000			1	L. cover duct assy
2. 11346-M9Q-000			1	L. cover duct band
3. 17200-H3M-000			1	Air cleaner assy
4. 17211-H3A-000			1	Air cleaner element comp
7. 1724A-H3A-000			1	Air cleaner inlet chamber assy
10. 95701-06025-07			2	Flange bolt 6x25
13. 93404-06016-08			1	Washer bolt 6x16
14. 93903-25480			6	Tapping screw 5x20

