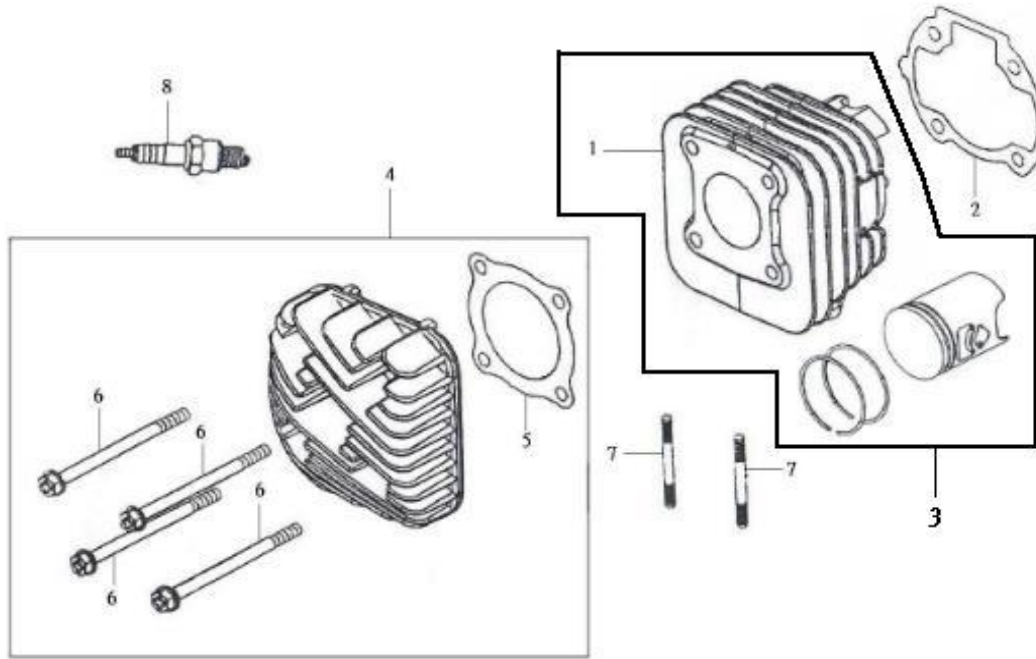
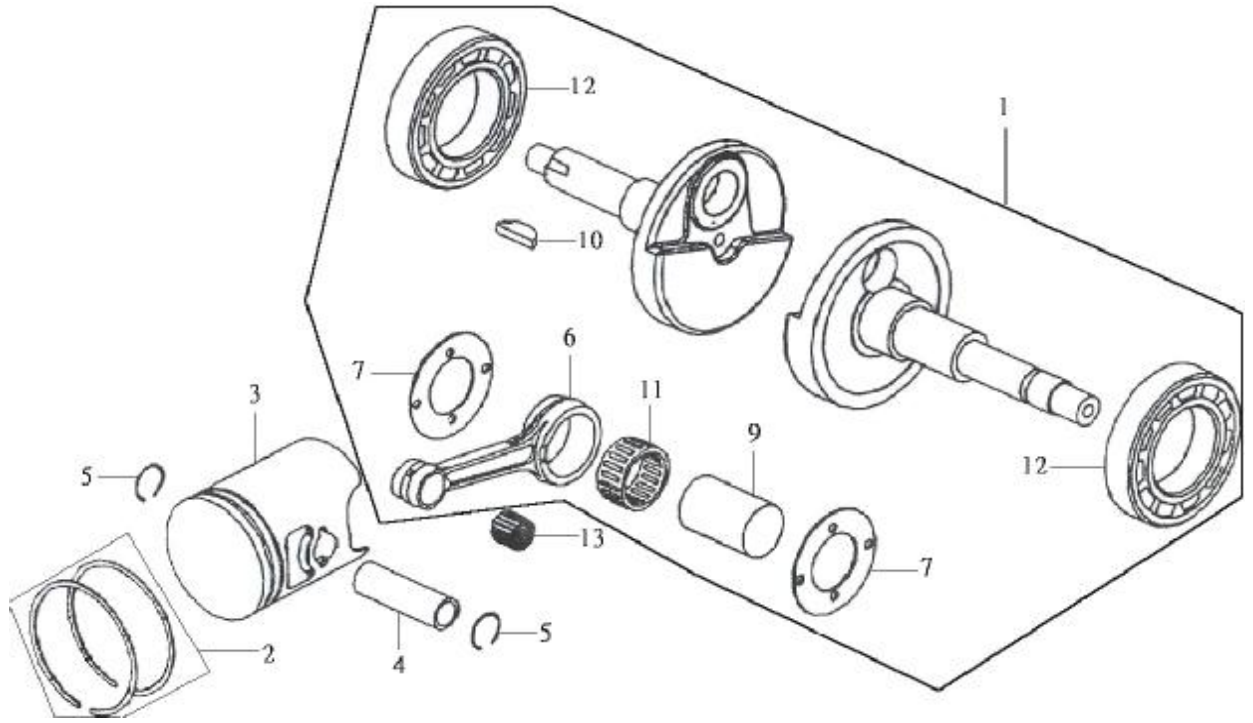


MODEL(S) FT05V1-6	CHANGE DATE	A P P L Y	Q T Y R E Q	DESCRIPTION
BLOCK NO..A-1  PARTS NUMBER				
1. 19600-F3G-000 2. 19621-TAA-000 3. 96001-06016-00 4. 96001-06025-00			1 1 2 2	Fan cover comp Shroud comp Flange bolt SH 6x16 SH. Flange bolt 6x25mm

**E02 CYLINDER,CYLINDER HEAD**

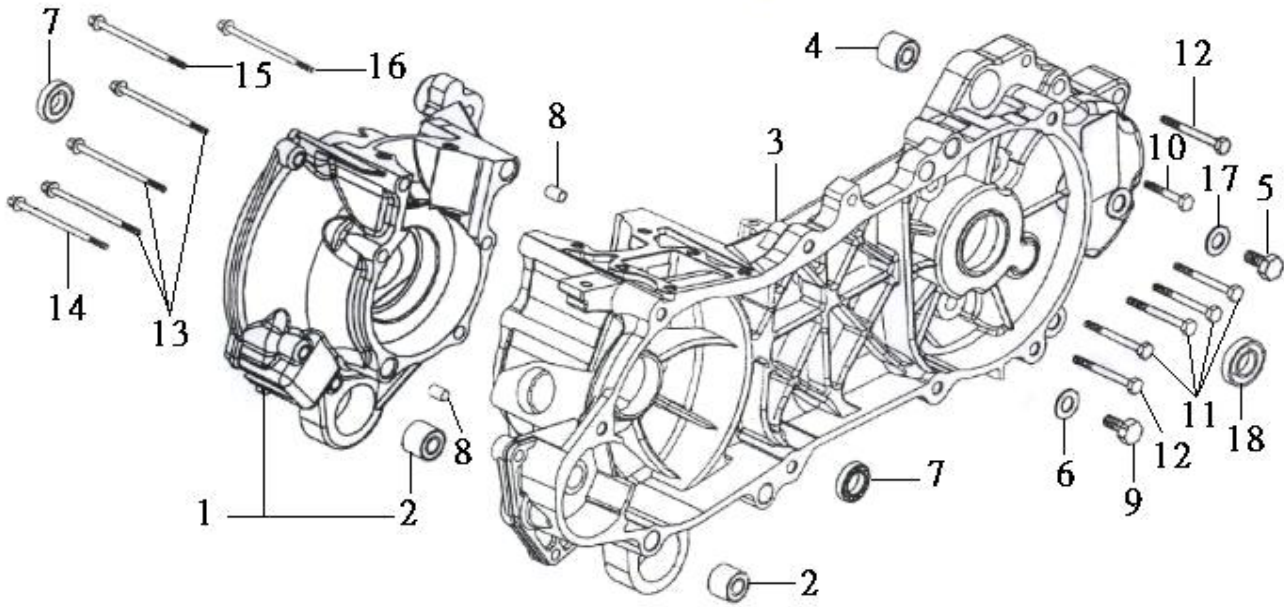


MODEL(S) FT05V1-6	CHANGE DATE	A P P L Y	Q T Y R E Q	DESCRIPTION
BLOCK NO..A-1				
PARTS NUMBER				
1. 12101-TAH-000			1	Cylinder A
2. 12191-M7Q-000			1	Cylinder gasket
3. 12100-TAH-000-A			1	Cylinder assy
4. 1220A-TAA-000			1	Cylinder head
5. 12251-M7Q-000			1	Cylinder head gasket
6. 90001-GA7-000			4	Flange bolt 6x95
7. 92900-06016-1B			2	Stud bolt II 6x16
8. 1PBR8HSA-3			1	Spark plug (BR8HSA)

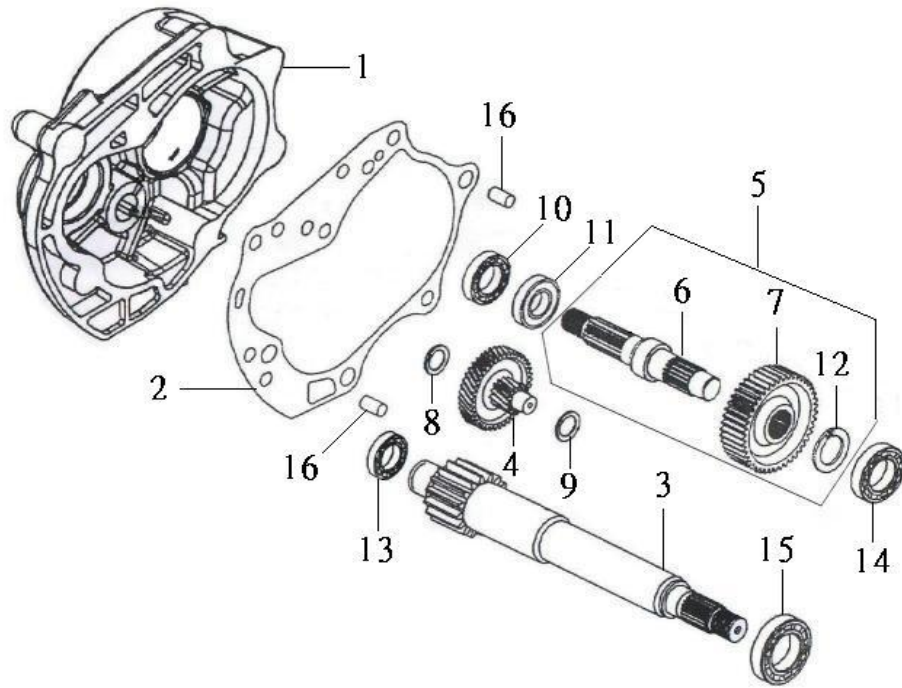


MODEL(S) FT05V1-6	CHANGE DATE	A P P L Y	Q T Y R E Q	DESCRIPTION
BLOCK NO..A-1  PARTS NUMBER				
1. 13000-TAA-000			1	Crank shaft comp
2. 13010-TAC-000			1	Piston ring set
3. 13101-TAC-000			1	Piston
4. 13111-M7Q-000			1	Piston pin
5. 13115-M7Q-000			2	Piston pin clip 12mm
6. 13201-M7Q-300			1	Connecting rod
7. 13202-M7Q-300			2	Connecting rod side plate
9. 13381-M7Q-300			1	Crank pin
10. 90741-M7Q-000			1	Woodruff key
11. 91001-M6Q-000			1	Connecting rod bearing B
12. 91005-M7Q-000			2	Radial ball bearing6304
13. 91102-M7Q-000			1	Connectiong rod small end

**E04 CRANK CASE**

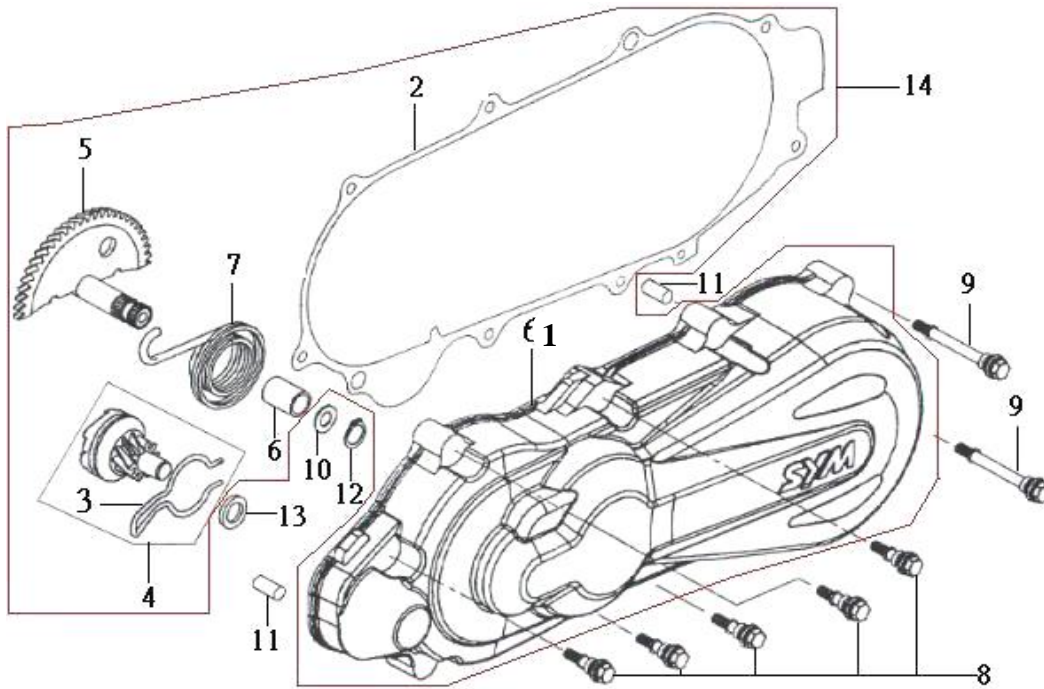


MODEL(S) <b>FT05V1-6</b>		<b>A</b>	<b>Q</b>	
BLOCK NO..A-1	<b>CHANGE DATE</b>	<b>P</b>	<b>T</b>	
<b>PARTS NUMBER</b>		<b>L</b>	<b>R</b>	<b>DESCRIPTION</b>
1. 11100-TAE-000			1	R. crank case comp
2. 11102-M7Q-300			2	Enginr hanger rubber bush
3. 11200-TAE-000			1	L. crank case comp
4. 11203-M9Q-300			1	RR cushion under rub. bush
5. 90035-GF4-000			1	Check bolt
6. 90488-700-000			1	Washer A 8mm
7. 91202-F01-000			2	Oil seal 20x31x7
8. 94301-08200			2	Dowel pin 8x20
9. 95701-08012-00			1	Bolt flange 8x12
10. 95701-08030-00			1	Bolt flange 8x30
11. 95701-08040-00			4	Bolt flange 8x40
12. 95701-08045-00			2	Bolt flange 8x45
13. 96001-06040-00			3	Flange bolt SH 6x40
14. 96001-06045-00			1	Flange bolt SH 6x45
15. 96001-06060-00			1	Flange bolt SH 6x60
16. 96001-06075-00			1	Flange bolt SH 6x75
17. 90481-705-000			1	Plain washer 10.2
18. 91204-GN2-005			1	Oil seal 17x30x5
<b>91204-M7Q-000</b>	02/07/2004	Y		

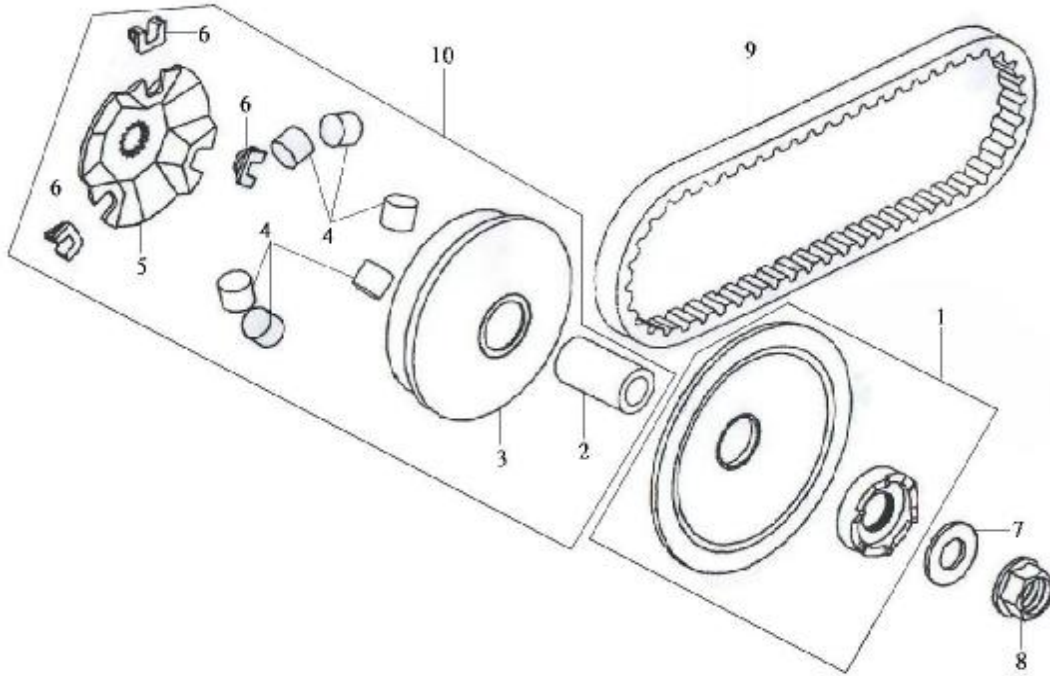


MODEL(S) FT05V1-6	CHANGE DATE	A P P L Y	Q T Y R E Q	
BLOCK NO..A-1  PARTS NUMBER				DESCRIPTION
1. 21200-TAE-000			1	Mission case comp
2. 21395-TAA-000			1	Mission cover gasket A
3. 23411-M7Q-000			1	Drive shaft (12T)
4. 23420-TAA-000			1	Counter shaft comp
5. 23430-TAA-000			1	Final gear comp (45T)
6. 23431-M7Q-300			1	Final shaft
7. 23432-TAA-000			1	Final gear
8. 90429-M7Q-000			1	Side washer 14mm
9. 90454-M7Q-000			1	Thrust washer 14mm
10. 91028-M7Q-000			1	Ball radial brg. 6203UU
11. 91254-M7Q-000			1	Oil seal 24x40x7
12. 94510-17000			2	EX. Cir clip 17mm
13. 96100-62013-00			1	Radial ball bearing 6201T/C3
14. 96100-62023-00			1	Radial ball bearing 6202T/C3
15. 96100-62033-00			1	Radial ball bearing 6203T/C3
16. 94301-10160			2	Dowel pin 10x16

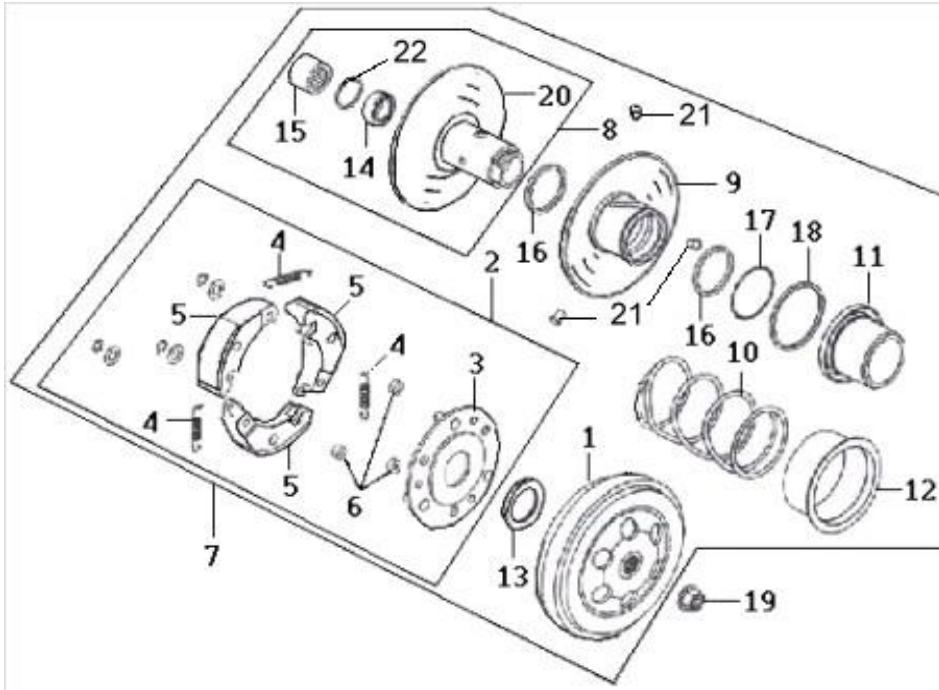
**E06 L. SIDE COVER**



MODEL(S) FT05V1-6	CHANGE DATE	A P P L Y	Q T Y R E Q	DESCRIPTION
BLOCK NO..A-1				
PARTS NUMBER				
1. 11340-TDA-000			1	L. side cover comp
2. 11395-TAA-000			1	L. side cover gasket
3. 28223-M7Q-000			1	Starter gear friction spg.
4. 2823A-F01-000			1	Kick driven gear assy
5. 28250-M7Q-000			1	Spindle comp kick starter
6. 28253-M7Q-000			1	Kick spindle bush
7. 28281-M7Q-000			1	Kick return spg.
8. 9000A-TAA-000			5	Special bolt 6x46 assy
9. 9000B-TAA-000			2	Special bolt 6x71 assy
10. 90451-M7Q-000			1	Kick spindle washer
11. 94301-10200			2	Dowel pin 10x20
12. 94511-14000			1	Ex. Cir-clip 14mm
13. 90412-M7Q-000			1	Thrust washer 10mm
14. 1134A-TDA-000			1	L. side cover assy

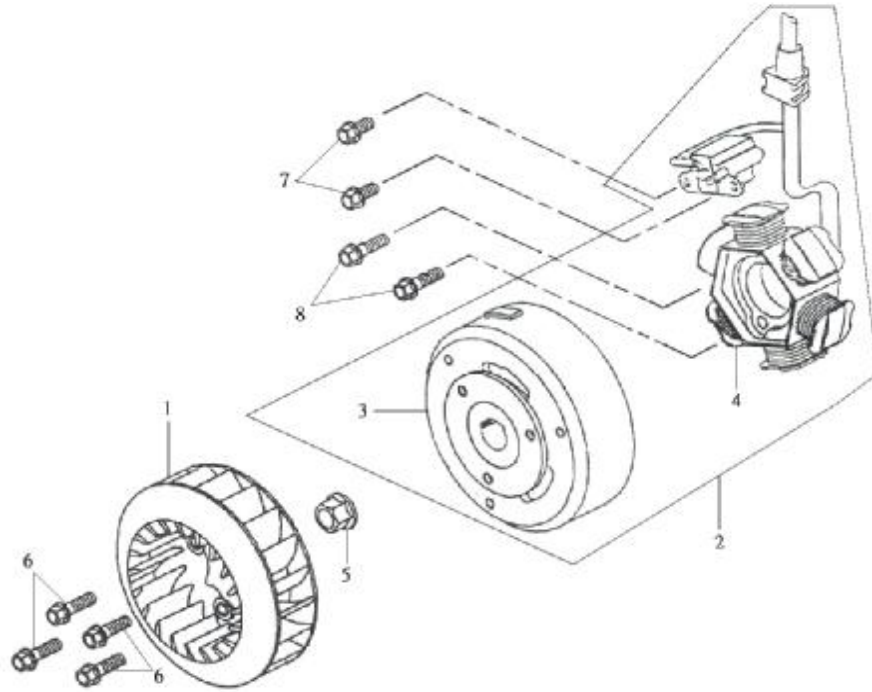


MODEL(S) FT05V1-6	CHANGE DATE	A P P L Y	Q T Y R E Q	
BLOCK NO..A-1				DESCRIPTION
1. 22102-GAH-780 2. 22105-M7Q-000 3. 22110-M7Q-000 4. 22121-TAA-003-A 5. 22131-M7Q-000 6. 22132-M7Q-000-A 7. 90426-M7Q-000 8. 94001-12200-0S 9. 1B01GW001 10. 2201A-F3A-000			1 1 1 6 1 3 1 1 1 1	Drive face Drive face boss Movable drive face comp Weight roller comp Ramp plate Slide piece Special washer 12mm Hex nut 12mm Drive belt Movable drive face assy



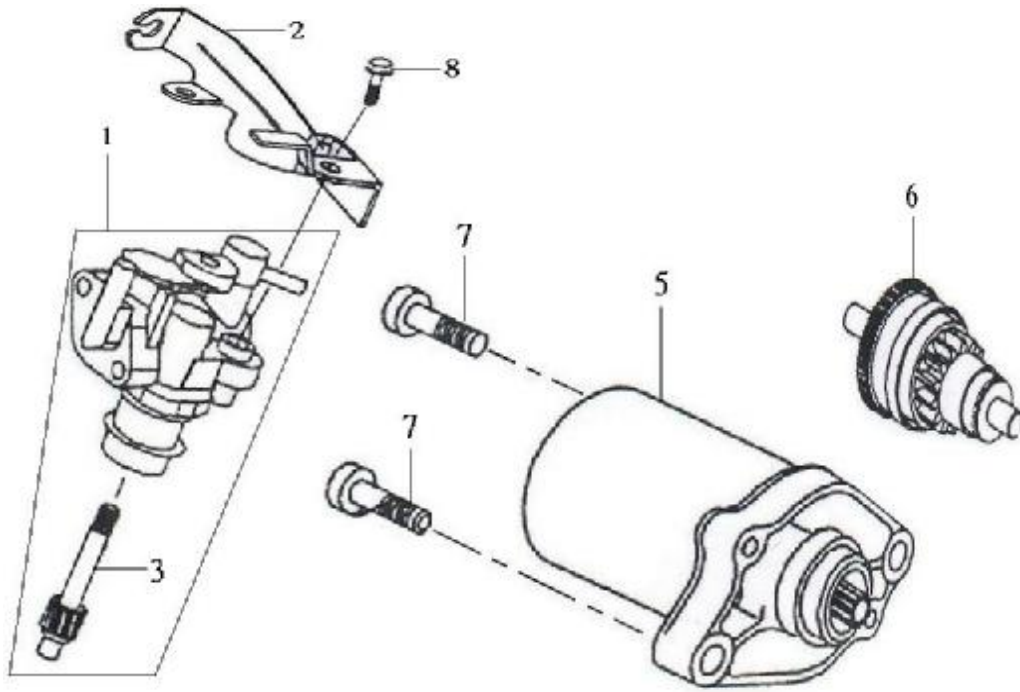
MODEL(S) FT05V1-6		A P P L Y	Q T Y R E Q	
BLOCK NO..A-1  PARTS NUMBER	CHANGE DATE	Y	Q	DESCRIPTION
1. 22100-M7Q-000			1	Clutch outer
2. 22300-TAA-000			1	Clutch weight ass'y
3. 22350-M7Q-010			1	Drive plate comp
4. 22401-TAA-000			3	Clutch spring
5. 22530-M7Q-010-A			3	Clutch weight
6. 22804-A3A-000			3	Clutch dumper rubber
7. 23010-TAE-010			1	Driven pulley ass'y
8. 23200-M7Q-000			1	Driven face ass'y
9. 23220-TAA-000			1	Movable drive face comp
10. 23233-M7Q-000			1	Driven face spring
11. 23237-T3F-000			1	Seal collar
12. 23238-M9Q-000			1	Spring collar
13. 90202-M9Q-000			1	Special nut 28mm
14. 91002-A3A-300			1	Radial ball brg.6901LUC3/4
15. 91103-M7Q-000			1	Needle brg. 17x25x18
16. 91211-A3A-000			2	Oil seal 34x39x3
<b>91211-M7Q-000</b>	02/07/2004	Y		
17. 91305-M7Q-000			1	O-ring 36x1.5
18. 91302-A3A-000			1	O-ring 39.8x2.2
19. 94050-10000			1	Flange nut 10mm
20. 23210-M7Q-000			1	Driven face comp
<b>21. 23225-M7Q-000</b>			3	Guide pin
<b>22. 94520-24000</b>			1	Cir clip in 24



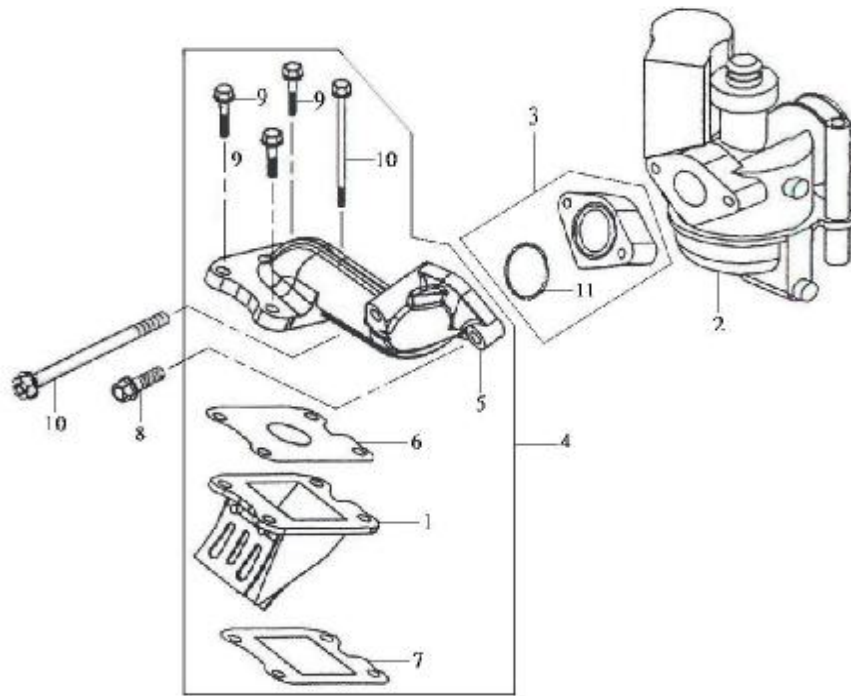


MODEL(S) FT05V1-6	CHANGE DATE	A P P L Y	Q T Y R E Q	
BLOCK NO..A-1				DESCRIPTION
1. 19510-TAA-000 2. 31100-TAE-000 3. 31110-TBA-000 4. 31120-TAE-000 5. 94050-10000 6. 95701-06016-00 7. 96001-06012-00 8. 96001-06018-00			1 1 1 1 1 1 2 2	Cooling fan comp AC. Generator ass'y (CDI) Fly wheel assy Stator comp Flange nut 10mm Flange bolt 6x16 Flange bolt SH 6x12 Flange bolt SH 6x18

**E10 STARTING MOTOR**



MODEL(S) FT05V1-6	CHANGE DATE	A P P L Y	Q T Y R E Q	DESCRIPTION
BLOCK NO..A-1  PARTS NUMBER				
1. 15100-T34-000-H1			1	REVISED
2. 15110-TAS-000			1	Oil pump ass'y
3. 15162-M7Q-000			1	Set plate comp
5. 31200-TBA-000			1	Oil pump gear shaft
6. 31209-M6Q-000			1	Stator motor ass'y
7. 96001-06025-00			2	Pinion start ass'y
8. 96001-06032-00			1	SH. flange bolt 6x25mm
				SH. flange bolt 6x32mm



MODEL(S) FT05V1-6		A P P L Y	Q T Y R E Q	
BLOCK NO..A-1  PARTS NUMBER	CHANGE DATE			DESCRIPTION
1. 14100-F01-000			1	Reed valve comp
2. 16100-TAS-000			1	Carburetor assy
3. 1621A-M7Q-000			1	Carb. Insulator ass'y
4. 1710A-TAE-000			1	Inlet pipe assy
5. 17100-M7Q-000			1	Inlet pipe comp
6. 17111-M7Q-000			1	Inlet pipe gasket
7. 17112-M7Q-000			1	Inlet pipe B gasket
8. 95701-06035-00			1	Flange bolt 6x35
9. 96001-06028-00			3	Flange bolt 6x28
10. 96001-06080-00			1	SH. Flange bolt 6x80
11. 91304-GB0-910			1	Oil ring 20.6x1.9
12. TAS-1			1	Needle fix set
13. TAS-2			1	Screw fix set
14. TAS-3			1	Float fix set
15. TAS-4			1	F.C.B fix set
16. TAS-5			1	Gasket fix set