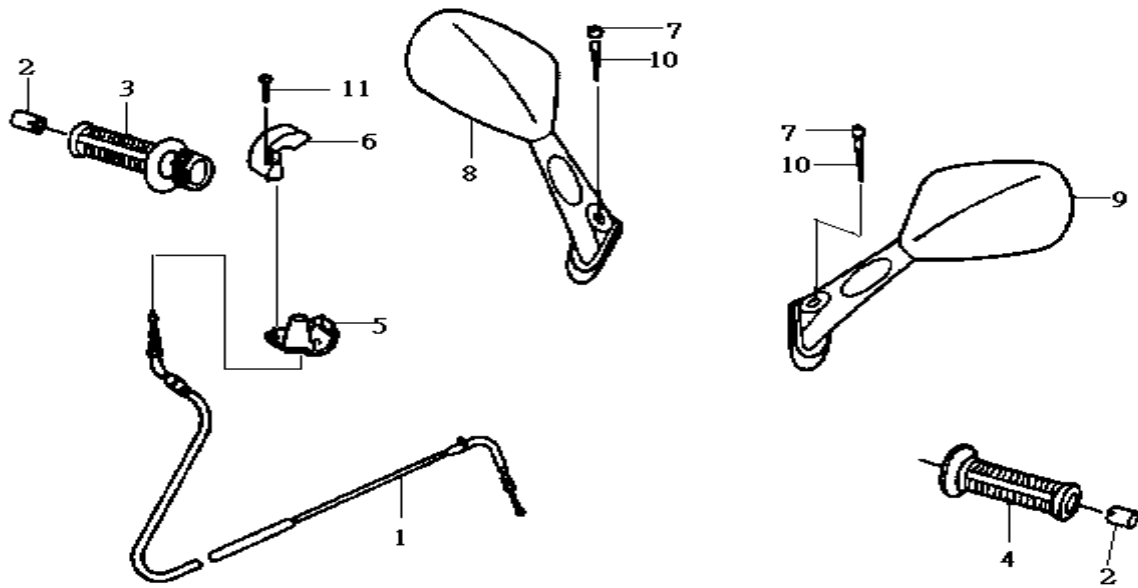


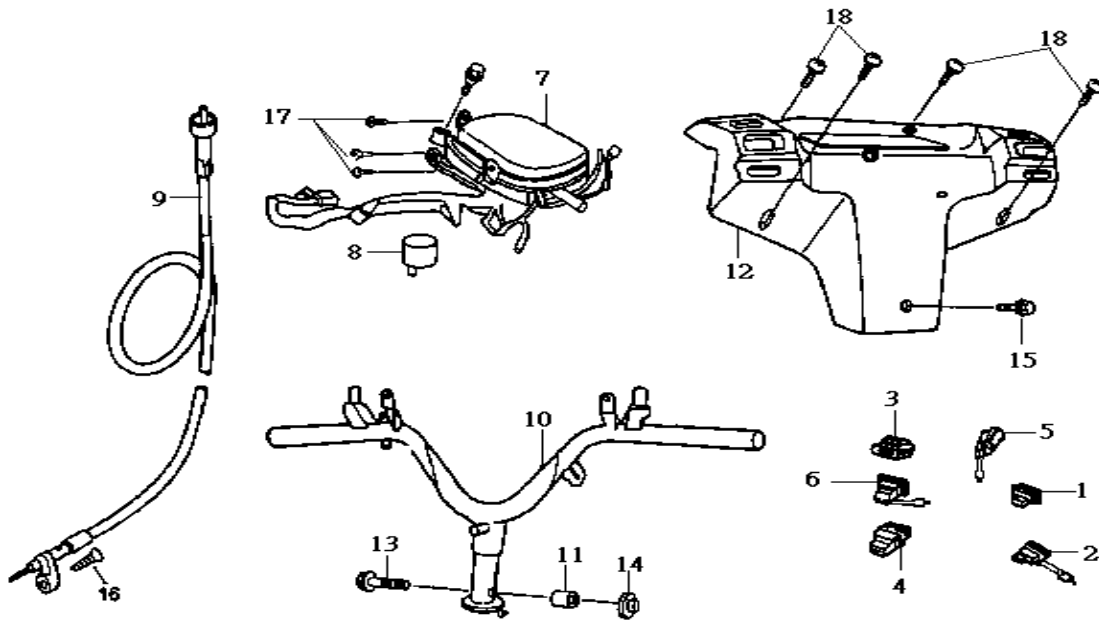
MODEL(S)	CHANGE DATE	A P P L Y	Q T Y R E Q	PARTS NUMBER
H150A1-2				
DESCRIPTION	BLOCK NO .A-1			
1.Head light ass'y			1	33100-H01-000
4.Head light bulb 12V25/25W			2	34901-066-003
			2	34901-066-003-12V
5.Winker bulb 12V/10W			2	34905-GM9-003
6.Wedge base bulb 12V/3.4W			3	34908-GA7-701
7.FR. handle cover (BU-4035S)			1	5320B-H01-000-CO
FR. handl cover (GN-5914S)			1	5320B-H01-000-NQ
FR. handl cover (R-010CA)			1	5320B-H01-000-RT
FR. handl cover (S-880S)			1	5320B-H01-000-SQ
FR. handl cover (BK-0406S)			1	5320B-H01-000-KV
FR. handl cover (BU-282S)			1	5320B-H01-000-BJ
8.RH. handle side cover (GY-426U)			1	53207-H01-000-GK
9.Lh. handle side cover (GY-426U)			1	53208-H01-000-GK
10.Sus. nut 5mm			2	90308-SB2-013
11.Washer screw 5×35			1	93891-06035-00
12.Tappine screw 4×12			2	93903-24320
13.Tapping screw 4×12			6	93903-34380
14.Tapping screw 5×16			5	93903-45380
15.SYM seripe			1	87123-G22-000-T1





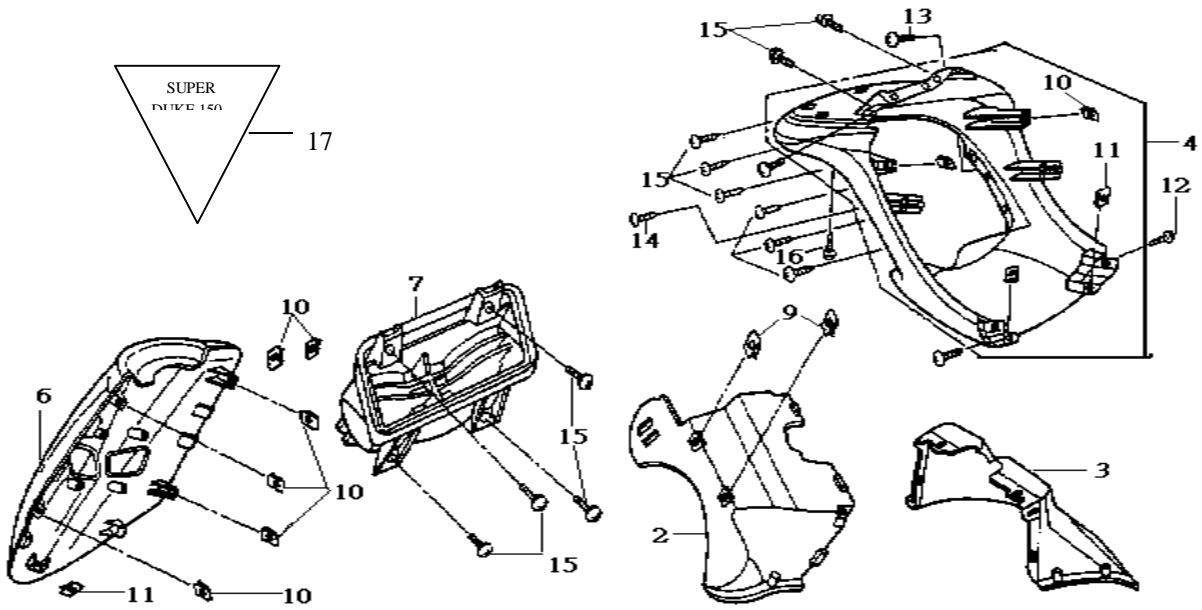
MODEL(S) H150A1-2		A P P L Y	Q T Y R E Q	
BLOCK NO .A-1 DESCRIPTION	CHANGE DATE			PARTS NUMBER
1.Throt. cable comp. 2.Strg. handle end 3.Throt. grip comp. 4.LH. handle grip 5.Throt. under housing 6.Throt. upper housing 7.Socket bolt cap 8mm 8.RH. back mirror assy. 9.LH. back mirror assy. 10.Socket bolt 8×30 11.Pan screw 5×22			1 2 1 1 1 1 2 1 1 2 1	17910-H01-000 53105-H01-000 53140-H01-000 53166-G02-010 53167-GN2-020 53168-GN2-020 88112-M9Q-000 88110-H01-000 88120-H01-000 90185-G02-000 93500-05022-0A





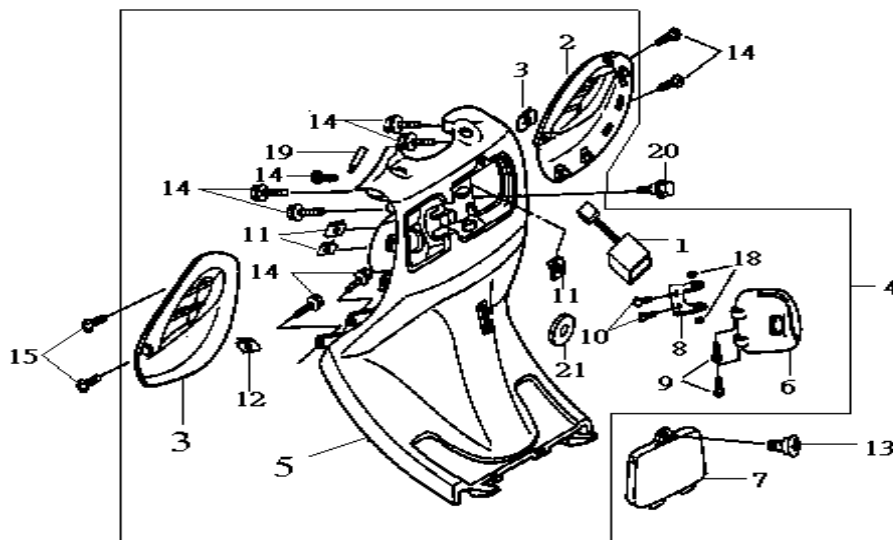
MODEL(S)		A	Q	
H150A1-2		P	T	
BLOCK NO .A-2	CHANGE DATE	L	R	
DESCRIPTION		Y	E	PARTS NUMBER
			Q	
1.Lighting SW. unit			1	35150-H01-000
2.Start SW. unit			1	35160-H01-010
3.Dim . pass. SW. unit			1	35170-M9Q-000
4.Horn SW. unit			1	35180-H01-000
5.Hazard SW. unit			1	35190-H01-000
6.Winker SW. unit			1	35200-H01-000
7.Speedometer ass'y			1	37200-H1F-000
8.Relay comp. ap winker			1	38301-A31-000
9.Spdmt. cable comp.			1	44830-H01-000
10.Strg. handle comp.			1	53100-H01-001
Strg. handle comp.	Feb./13.2001	Y	1	53100-H01-900
11.Handle sett. collar			1	53125-M9Q-000
12.RR. handle cover (GY-426U)			1	5320E-H1A-000-GK
13.Flange bolt 10×50			1	90106-GN5-900
14.Flange U nut 10mm			1	90304-GW0-901-M1
15.Pan screw 5×11.5			1	91509-GE2-760
16.Oval screw 5×16			1	93700-05016-0G
17.Tapping screw 5×16			3	93903-35320
18.Tapping screw 5×16			4	93903-35380





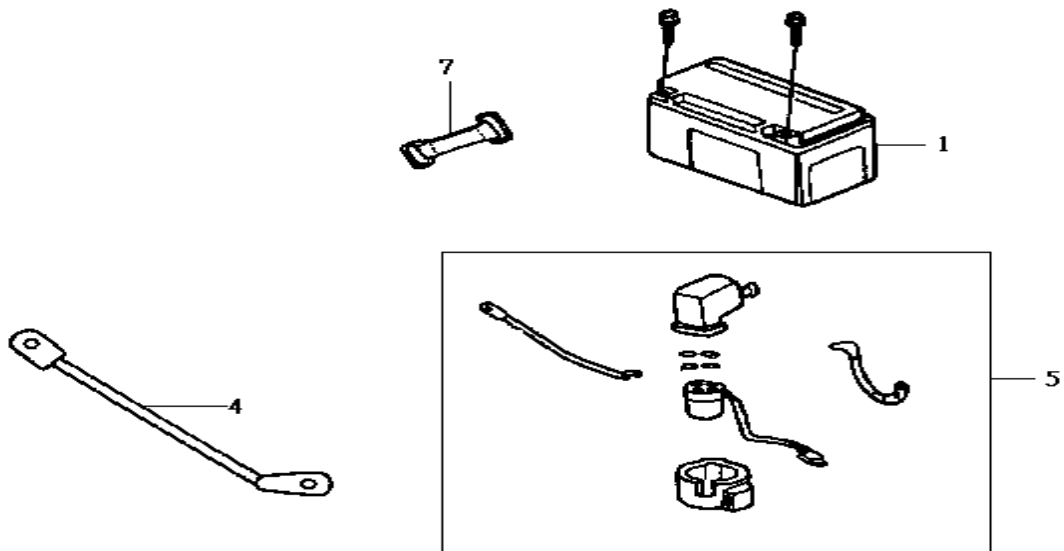
MODEL(S)	CHANGE DATE	A P P L Y	Q T Y R E Q	PARTS NUMBER
H150A1-2				
DESCRIPTION	BLOCK NO .A-1			
2.FR. inner fender A (BK-001U)			1	61100-H01-000-KA
3.FR. ivner fender B. (BK-001U)			1	61101-H01-000-KA
4.FR. under spoiler (BU-4035S)			1	61120-H01-000-CO
FR. under spoiler (GN-5914S)			1	61120-H01-000-NQ
FR. under spoiler (R-010CA)			1	61120-H01-000-RT
FR. under spoiler (S-880S)			1	61120-H01-000-SQ
FR. under spoiler (BK-0406S)			1	61120-H01-000-KV
FR. under spoiler (BU-282S)			1	61120-H01-000-BJ
6.FR. cover set (BU-4035S)			1	64300-H01-000-CO1
FR. cover set (GN-5914S)			1	64300-H01-000-NQ1
FR. cover set (R-010CA)			1	64300-H01-000-RT
FR. cover set (S-880S)			1	64300-H01-000-SQ
FR. cover set (BK-0406S)			1	64300-H01-000-KV
FR. cover set (BU-282S)			1	64300-H01-000-BJ
7.Intake grille ass'y. (BK-001U)			1	6430A-H01-010-KA
9.Clip nut 4mm			2	90302-SA4-003
10.Sus. nut M5			8	90308-SB2-013
11.Clip nut 5mm			3	90677-GR1-003
13.Washer bolt 6×12			2	93404-06012-08
14.Washer screw 5×16			1	93891-05016-07
15.Tapping screw 4×12			12	93903-24320
16.Tapping screw M5			1	93903-25220
17.Fr. cover emblem			1	(Red) 87124-H1A-000-T1
			1	(Blue) 87124-H1A-000-T2
			1	(Green.Silver) 87124-H1A-000-T3



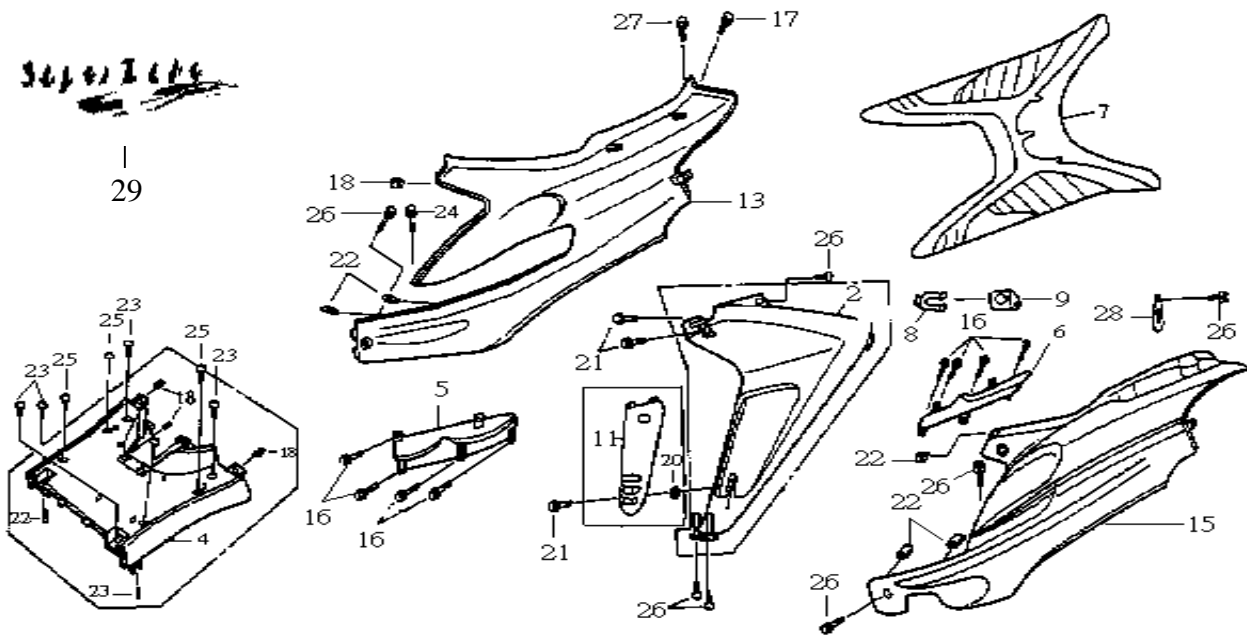


MODEL(S) H150A1-2		A P P L Y	Q T Y R E Q	
BLOCK NO .A-1 DESCRIPTION	CHANGE DATE			PARTS NUMBER
2.RH. outlet air cover			1	64314-H01-000-GK
3.LH. outlet air cover			1	64315-H01-000-GK
4.Inner box ass'y. (GY-426U)			1	81130-H1A-000-GK
5.Inner box			1	81131-H01-000-GK
6.Battery lid ass'y. (GY-426U)			1	81140-H01-000-GK
7.Fuel lid			1	81151-H01-000-GK
9.Hinge pin			2	81154-H01-000
11.Clip nut 6mm			1	90305-GK8-000
12.Sus. nut M5			1	90308-SB2-013
13.Special screw 6×14			1	90381-H01-000
14.Tapping screw 4×12			8	93903-24320
15.Tapping screw M5			2	93903-25220
16.Tapping screw 5×16			4	93903-45380
17.Hex nut 6mm			1	94001-06080-0S
19.Clip, 2×50			1	94591-25000
20.Flange bolt 6×12			1	95801-06012-08

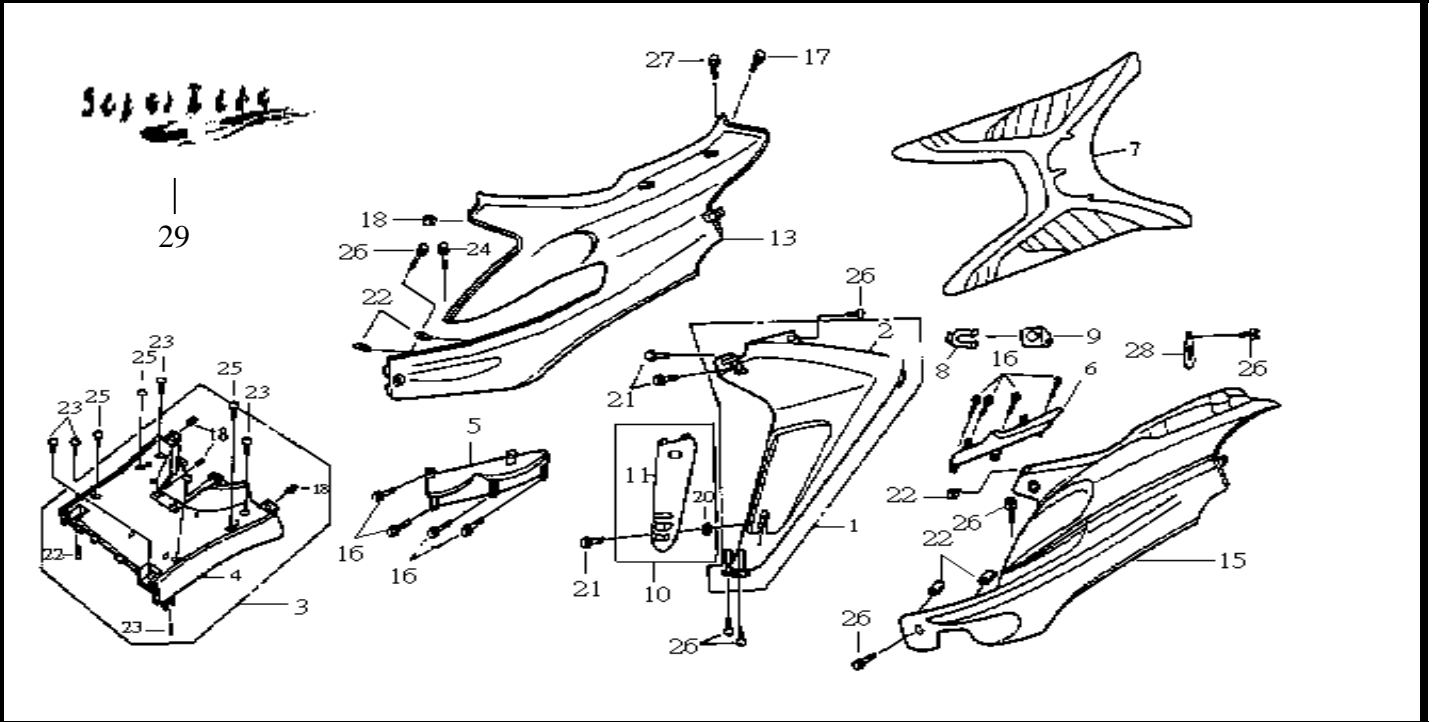




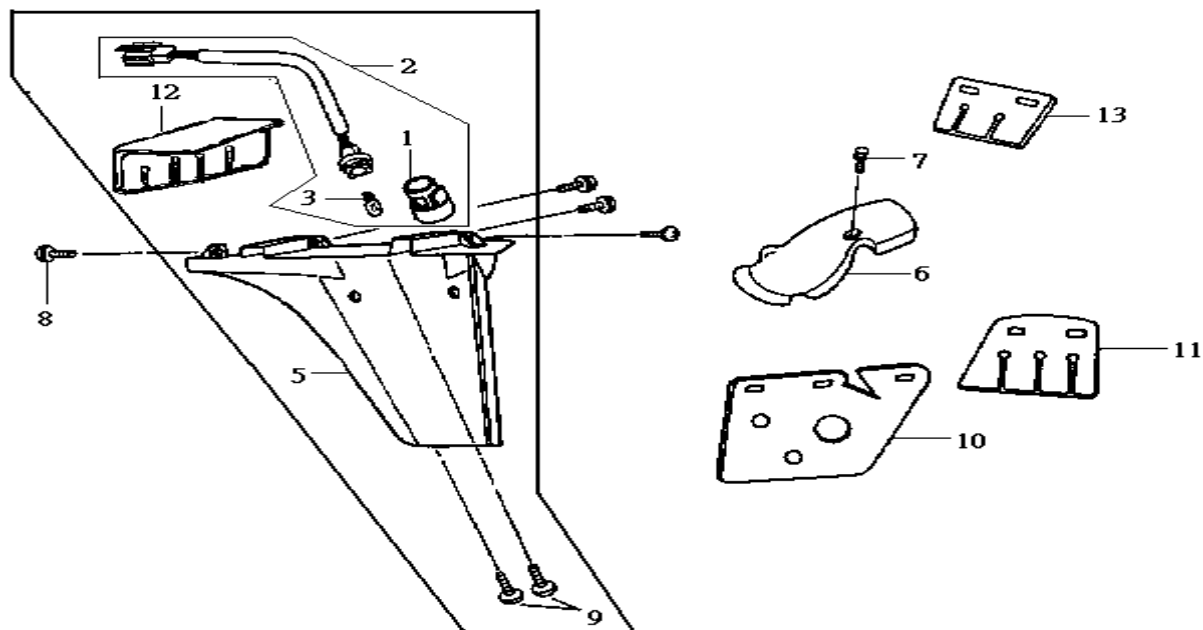
MODEL(S) H150A1-2		A P P L Y	Q T Y R E Q	
BLOCK NO .A-1 DESCRIPTION	CHANGE DATE			PARTS NUMBER
1.Batt. assy. YTX9-BS 4.Batt. earth cable 5.Start MAG. SW. Set 7.Battery band B1			1 1 1 1	1Y01KV701-Y 32601-H01-010 3580A-H01-000 95012-12001



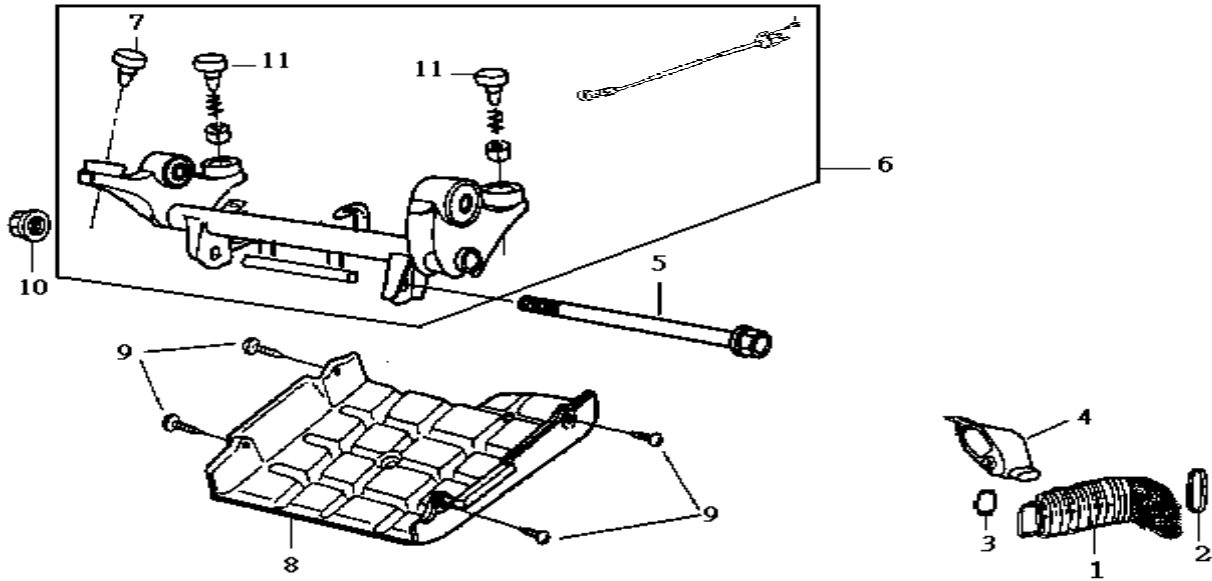
MODEL(S)	CHANGE DATE	A P P L Y	Q T Y R E Q	PARTS NUMBER
H150A1-2				
DESCRIPTION	BLOCK NO .A-1			
2.Body center cover (GY-426U)			1	50151-H01-000-GK
4.Floor panel (GY-426U)			1	50610-H01-000-GK
5.RH. step plate (GY-426U)			1	50615-H01-000-GK
6.LH. step plate (GY-426U)			1	50616-H01-000-GK
7.Floor mat (GY-426U)			1	64307-H01-000-GK
8.Lock key setting SPG.			1	75581-M9Q-000
9.Seat lock stay			1	77232-H01-000
11.Maintenance cover (GY-426U)			1	80152-H01-000-GK
13.RH. body cover assy (BU-4035S)			1	8350A-H01-000-CO1
RH. body cover assy (GN-5914S)			1	8350A-H01-000-NQ1
RH. body cover assy (R-010CA)			1	8350A-H01-000-RT1
RH. body cover assy (S-880S)			1	8350A-H01-001-SQ
RH. body cover assy (BK-0406S)			1	8350A-H01-001-KV
RH. body cover assy (BU-282S)			1	8350A-H01-001-BJ
15.LH. body cover assy (BU-4035S)			1	8360A-H01-000-CO1
LH. body cover assy (GN-5914S)			1	8360A-H01-000-NQ1
LH. body cover assy (R-010CA)			1	8360A-H01-000-RT1
LH. body cover assy (S-880S)			1	8360A-H01-001-SQ
LH. body cover assy (BK-0406S)			1	8360A-H01-001-KV
LH. body cover assy (BU-282S)			1	8360A-H01-001-BJ
16.Washer screw 4×12			12	90106-SA7-000
17.Special screw 6×14			1	90110-GZ0-000



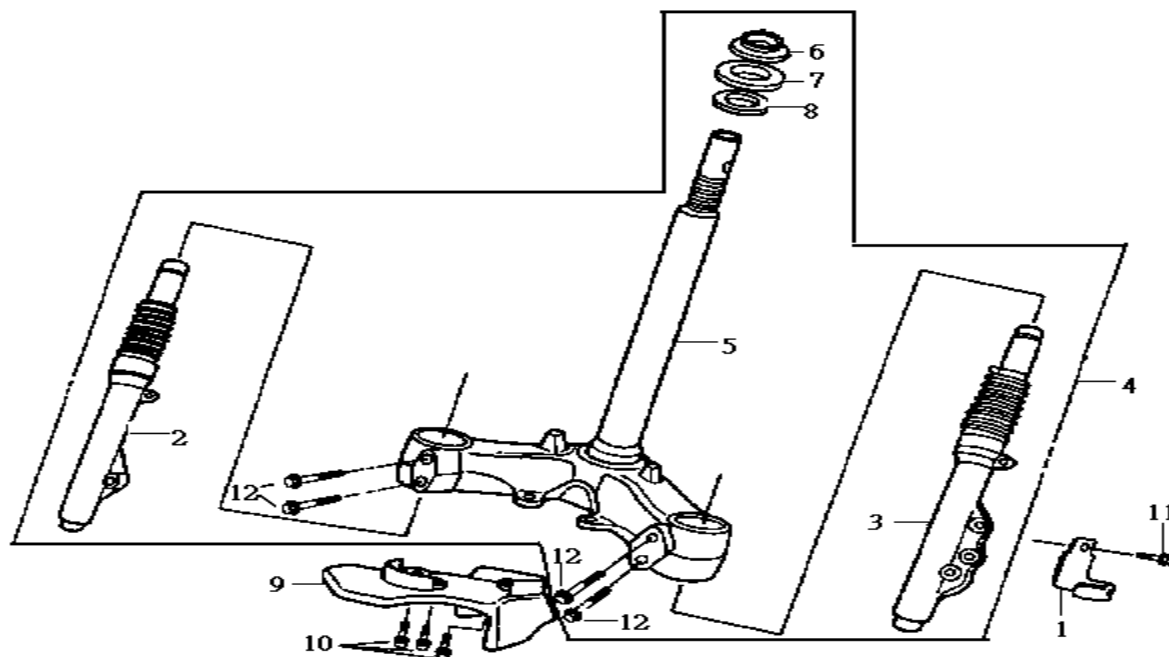
MODEL(S) H150A1-2		A P P L Y	Q T Y R E Q	
BLOCK NO .A-1 DESCRIPTION	CHANGE DATE			PARTS NUMBER
18.Clip nut 4mm			5	90302-SA4-003
21.Special screw 6×14			3	90381-H01-000
22.Clip nut M5×0.8			7	90677-GR1-003
23.Washer bolt 22			4	93404-06020-00
24.Washer screw 5×16			1	93891-05016-07
25.Washer screw 5×40			4	93891-05040-08
26.Tapping screw 4×12			7	93903-24320
27.Tapping screw 5×12			7	93903-25220
28.Clip 2×50			1	94591-25000
29.Body cover stripe			2	87126-H1A-000-T1



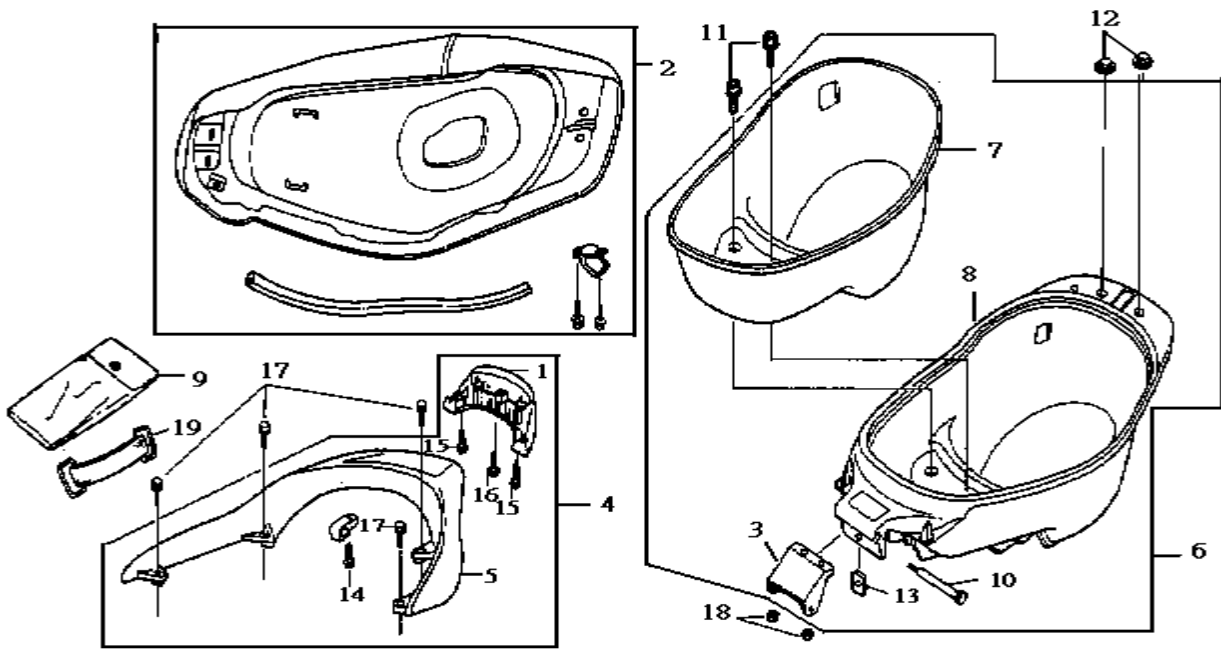
MODEL(S) H150A1-2	CHANGE DATE	A P P L Y	Q T Y R E Q	
BLOCK NO .A-1 DESCRIPTION				PARTS NUMBER
3.Wedge base bulb (12V3.4W)			1	34908-GA7-701
4.RR. mudguard ass'y (BK-001U)			1	8010A-H1A-000-KA
5.RR. Mudguard (BK-001U)			1	80105-H01-000-KA
6.RR. fender ass'y (BK-001U)			1	8011A-H01-000-KA
7.Special screw 6×14			1	90110-GW0-000
8.Washer bot 6×12			4	93404-06012-08
9.Tapping screw 4×12			2	93903-34320
10.AIR/C guard plate A			1	80103-H01-000
11.AIR/C guard plate B			1	80104-H01-000
12.RR. mudguard rubber			1	80107-H01-000
13.RR. splash guard plate			1	80108-H01-000



MODEL(S) H150A1-2	CHANGE DATE	A P P L Y	Q T Y R E Q	
BLOCK NO .A-1 DESCRIPTION				PARTS NUMBER
1.C. V. T. cooling hose			1	11345-H01-000
2.L. cover duct band			1	11346-M9Q-000
3.LH. cover duct band			1	17242-H01-000
4.C.V.T. cooling hose assy			1	1940A-H01-000
5.RR. wheel axle			1	44301-GM9-710
6.ENG. hanger ass'y			1	50350-H01-010
7.Rubber stopper			1	50352-GY6-900
8.Under cover (BK-001U)			1	50611-H01-000-KA
9.Flange bolt 6mm			4	90111-162-000B
10.Flange U nut M12			1	90306-GW0-901-M1
11.Stopper rubber			2	50352-H01-000

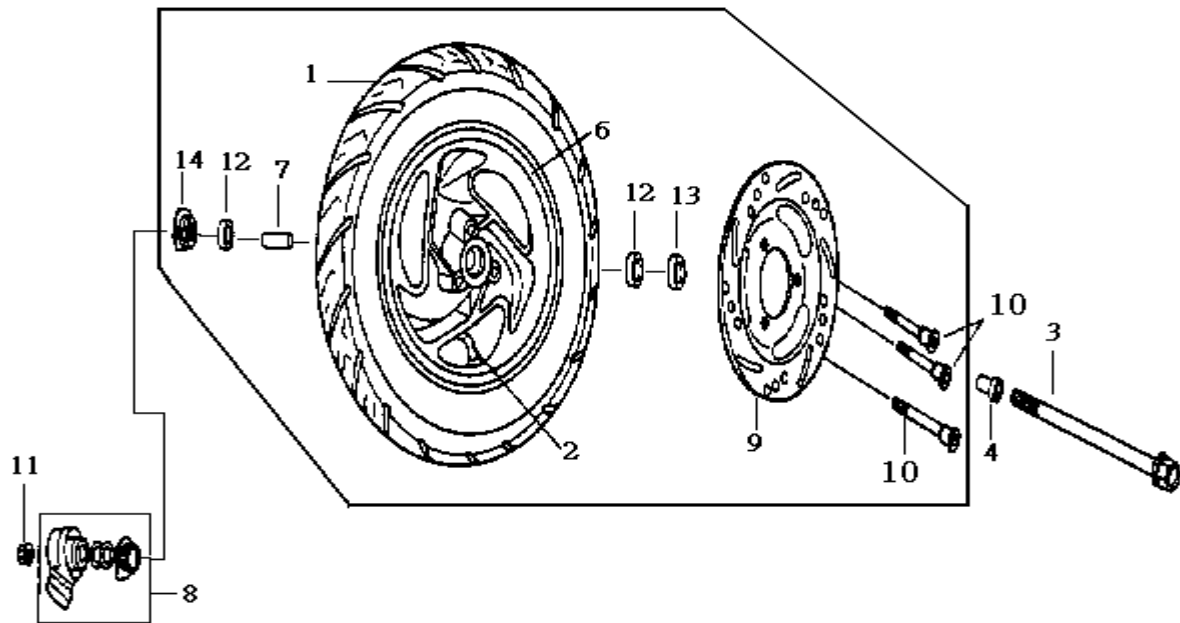


MODEL(S)	CHANGE DATE	A P P L Y	Q T Y R E Q	PARTS NUMBER
H150A1-2				
DESCRIPTION	BLOCK NO .A-1			
1.FR. barke hose clamper			1	45156-H01-000
2.RH. FR. cushion ass'y			1	51400-H01-000
3.LH. FR. cushion ass'y			1	51500-H01-000
4.FR. fork ass'y			1	5320A-H01-000
5.Strg. stem comp.			1	53200-H01-000
6.Strg. botton cone race			1	53212-G02-000
7.Strg. dust seal			1	53214-G02-000
8.Dust seal washer			1	53215-G02-000
9.FR. mudguard			1	61110-H01-000
10.Flange bolt 6mm			3	90111-162-000B
11.Flange bolt 6x12			3	95701-06012-08

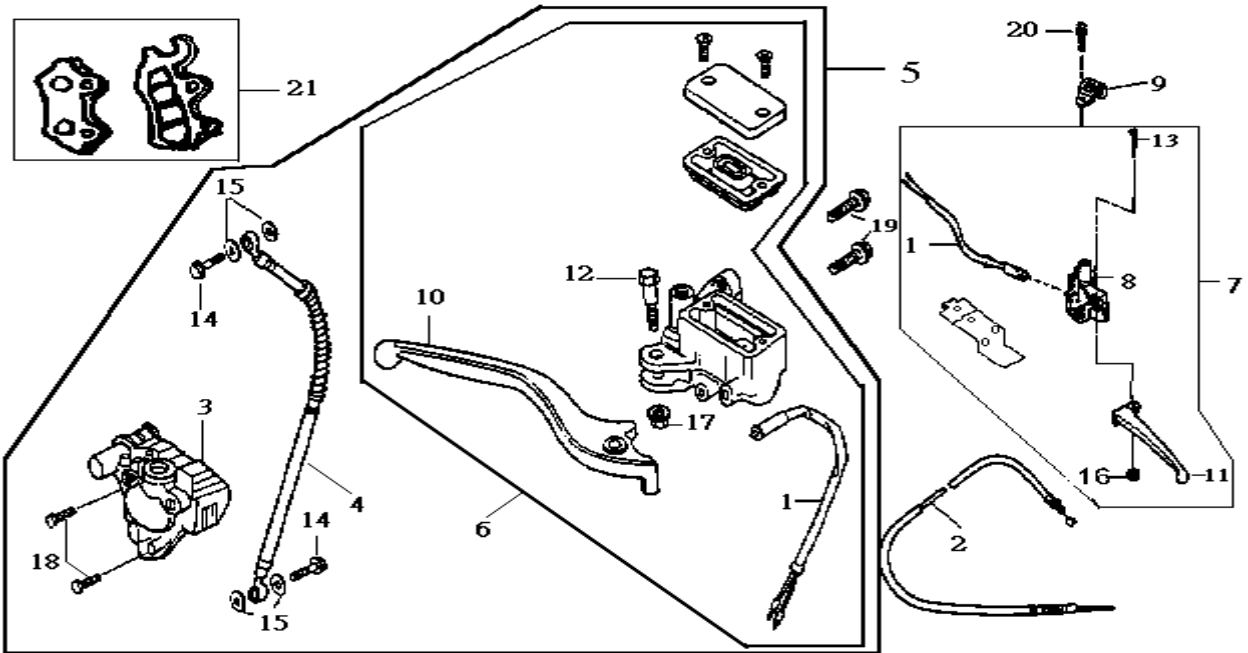


MODEL(S)		A	Q	
H150A1-2		P	T	
	BLOCK NO .A-1	L	Y	
	CHANGE DATE	Y	R	
	DESCRIPTION		E	
			Q	PARTS NUMBER
	1.High mount brake light set		1	3373A-H01-000
	2.Double seat ass'y (BK-001L)		1	77100-H1A-000
	4.RR. carrier ass'y (BU-4035S)		1	8120A-H01-000-CO
			1	8120A-H01-900-CO
	RR. carrier ass'y (GN-5914S)		1	8120A-H01-000-NQ
			1	8120A-H01-900-NQ
	RR. carrier ass'y (R-010CA)		1	8120A-H01-000-RT
			1	8120A-H01-900-RT
	RR. carrier ass'y (S-880S)		1	8120A-H01-000-SQ
	6.Luggage box ass'y (GY-426U)		1	8125A-H01-000-GK
	9.Tool set		1	89010-H01-000
	10.Hinge pin		1	90105-T36-000
	11.Flange bolt 6mm		2	90111-162-000B
	12.Open stay nut 6mm		2	90301-693-000
	13.Clip nut 6mm		1	90305-GK8-000
	14.Washer bolt 4×12		1	93891-04012-08
	15.Washer bolt 5×12		2	93891-05012-07
	16.Washer bolt 5×20		1	93891-05020-07
	17.Washer bolt 6×30		4	93401-06030-00
	18.Flange nut 6mm		2	94050-06000
	19.Battery band B2		1	95012-13001



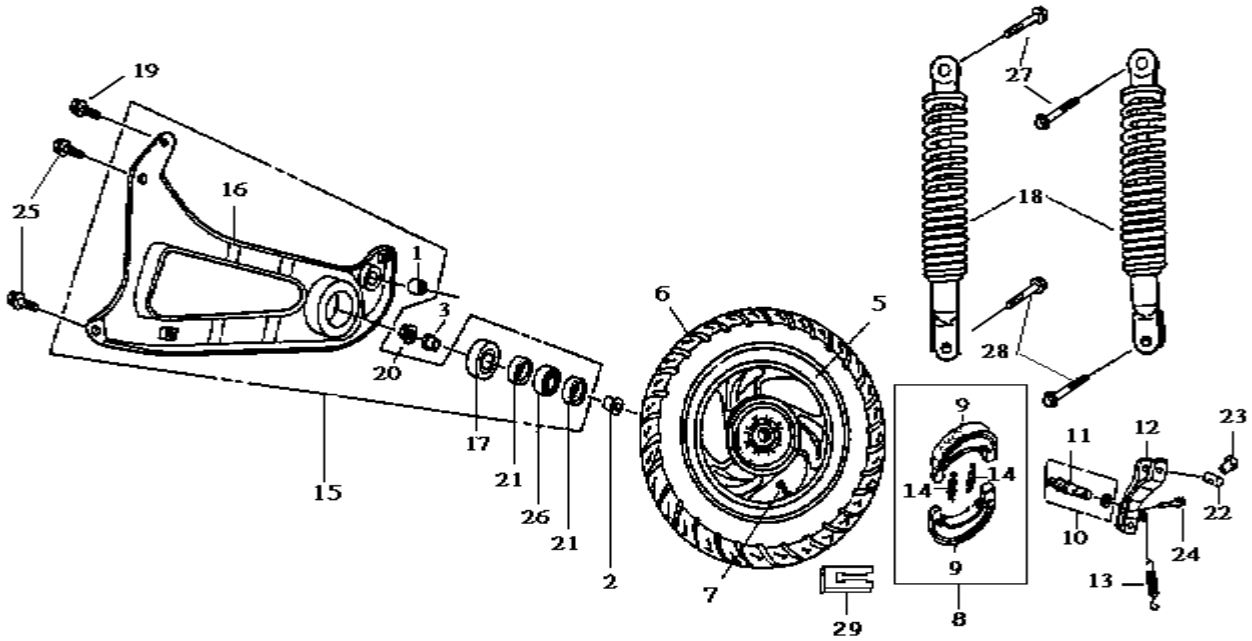


MODEL(S) H150A1-2	CHANGE DATE	A P P L Y	Q T Y R E Q	
BLOCK NO .A-1 DESCRIPTION				PARTS NUMBER
1.Tubless tire ass'y			1	1T0135108-308
2.Rim valve			1	42753-KJ9-000
3.FR. wheel axle			1	44301-GW2-900
4.FR. wheet side collar			1	44313-H01-000
6.FR. cast wheel (GY-1406S)			1	44601-H01-000-GR
7.FR. axle dist. collar			1	44620-H01-000
8.Spdmt. gear box ass'y			1	44800-H01-000
9.FR. brake disk			1	45121-H01-020
10.Fr. disk bolt 8×51			3	90106-H09-000
11.Flange U nut M12			1	90306-GW0-901-M1
12.Radial ball bearing			2	90912-M9Q-000-M1
13.Dust seal 20×32×5			1	90754-M9Q-000-M2
14.Spdmt. gear box seal			1	91258-KM1-004



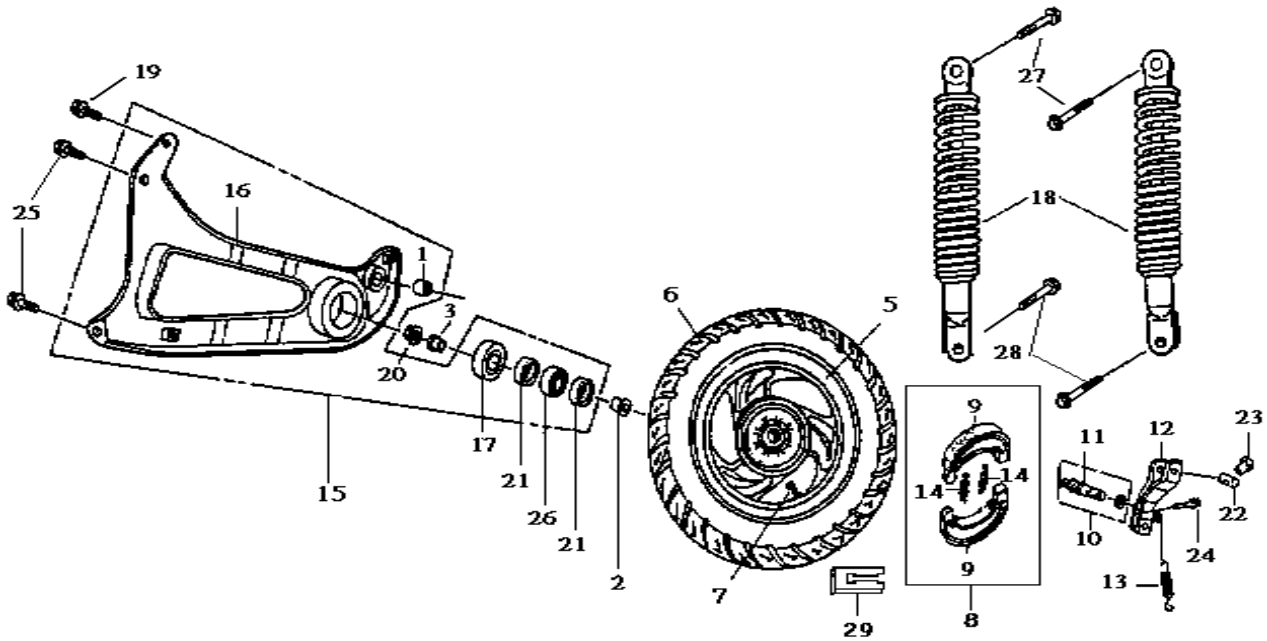
MODEL(S)		A	Q	
H150A1-2		P	T	
	BLOCK NO .A-1	L	R	
	CHANGE DATE	Y	E	
DESCRIPTION			Q	PARTS NUMBER
1.FR. stop SW. ass'y			2	35340-H01-000
2.RR. brake cable comp.			1	43450-H01-000
3.FR. caliper ass'y			1	45100-H01-000
4.FR. brake hose comp.			1	45126-H01-000
5.Fronr brake ass'y			1	4550A-H1A-010
6.FR. master cylinder ass'y			1	45500-H1A-000
7.LH. handle lever brkt. assy.			1	53170-H01-030
8.LH. handle lever brkt.			1	53172-H01-000
9.Handle brkt. band			1	53173-GS7-003
10.RH. handle lever			1	53175-H09-020
	Jul./1.2000	N	1	53175-H01-000
11.LH. handle lever			1	53178-M92-010
	Jul./1.2000	Y	1	53178-H01-011
12.Handle lever bolt			1	90114-166-006
13.Handle lever pivot screw			1	90115-147-000
14.Oil bolt 10×22			1	90145-MS9-611
15.Oil bolt washer			4	90545-300-000
16.Hex. nut 5mm			1	94001-05070-0S
17.Flange nut 6mm			1	94050-06000
18.Flange bolt 8×32			1	90106-H21-000
19.Flange bolt SH 6×12			2	96001-06012-08
20.Flange bolt (SH) 6×20			1	96001-06020-07
21.Brake pad.			1	45105-H13-000-AC





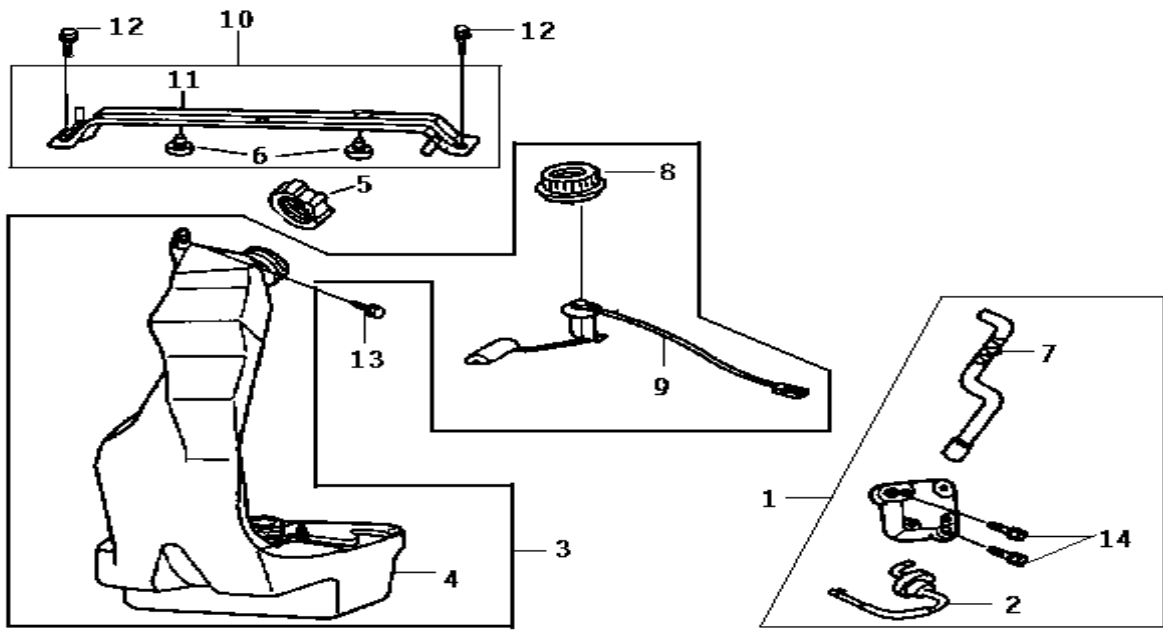
MODEL(S)	CHANGE DATE	A P P L Y	Q T Y R E Q	PARTS NUMBER
H150A1-2				
DESCRIPTION	BLOCK NO .A-1			
1.Rubber bush			1	11203-GC7-300
2.RR. axle side collar A			1	42311-H01-000
3.RR. axle side collar B			1	42312-H01-000
5.RR. cast wheel comp. (GY-1406S)			1	42601-H01-010-GR
6.RR. tubless tire ass'y			1	1T0100108-308
7.Valve rim			1	42753-KJ9-000
9.Brake shoe comp.			1	43120-E18-000
10.RR. brake cam ass'y			1	4314A-H01-000
11.RR. brake cam			1	43141-H01-000
12.RR. brake arm comp.			1	43410-H01-010
13.Brake arm return spring			1	43472-H01-010
14.Brake shoe spring			2	45133-B08-000
15.RR. fork ass'y			1	52100-H01-000
18.RR. cushion ass'y			1	52400-H01-000
17.Rubber bush			1	52102-H01-300
20.Flange U nut 14mm			1	90305-197-013
21.Oil seal 22x35x6			2	91255-G03-000



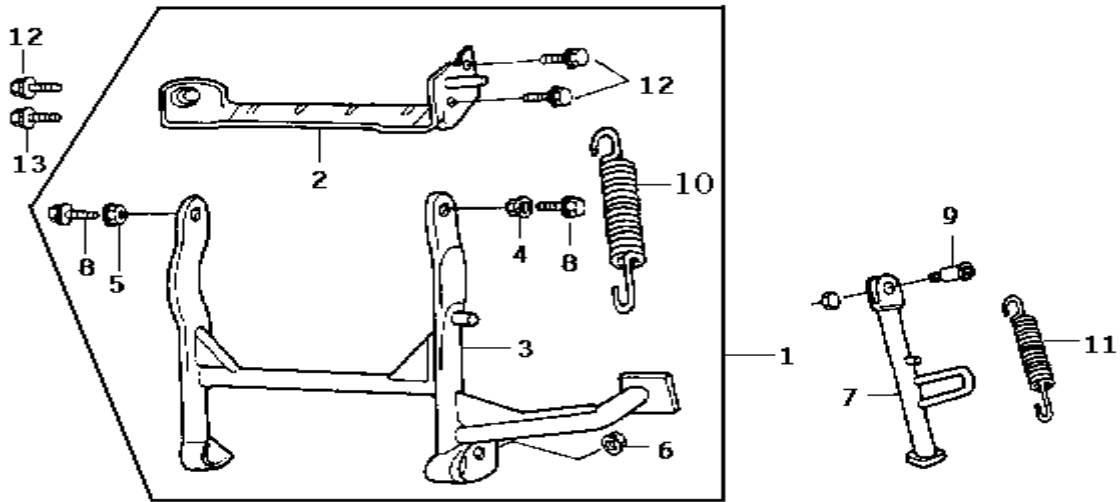


MODEL(S) H150A1-2	CHANGE DATE	A P P L Y	Q T Y R E Q	PARTS NUMBER
BLOCK NO .A-1 DESCRIPTION				
22.Brake arm joint B			1	95015-32001
23.Adjust nut B			1	95015-42000-0A
24.Flange bolt 6×32			1	95701-06032-08
25.Flange bolt 8×25			2	95801-08025-08
26.Ball bearing			1	96100-62020-00
27.Flange bolt 8×32			2	95801-08032-00
28.Flange bolt 10×35			2	95801-10035-08
29.RR. brake arm cover			1	43411-H01-000

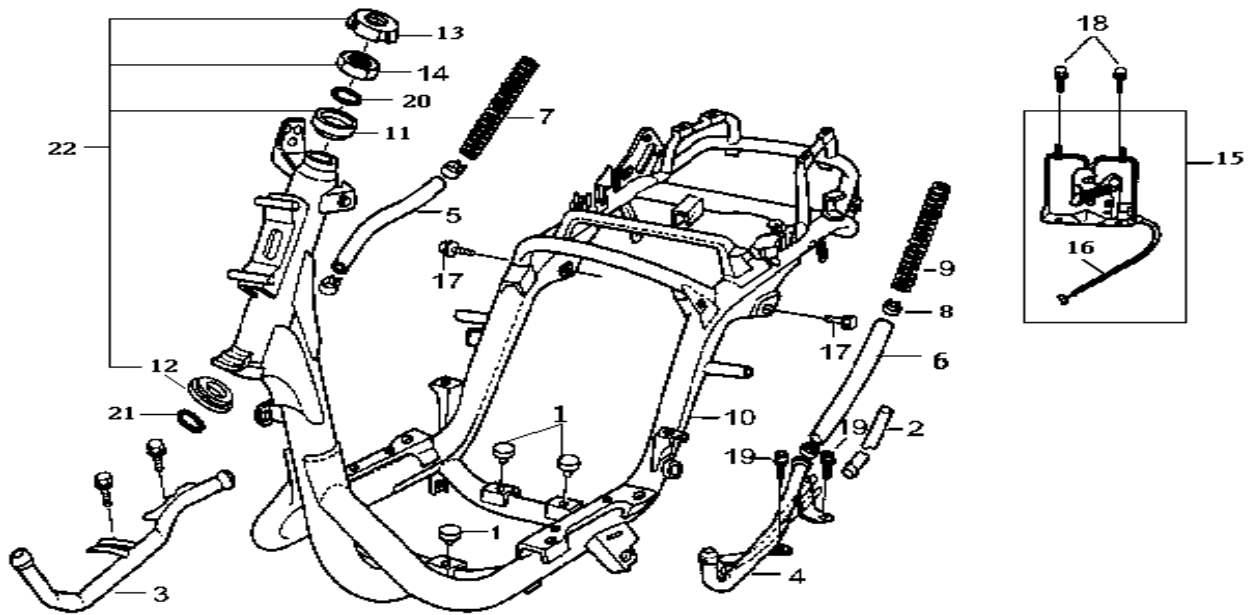




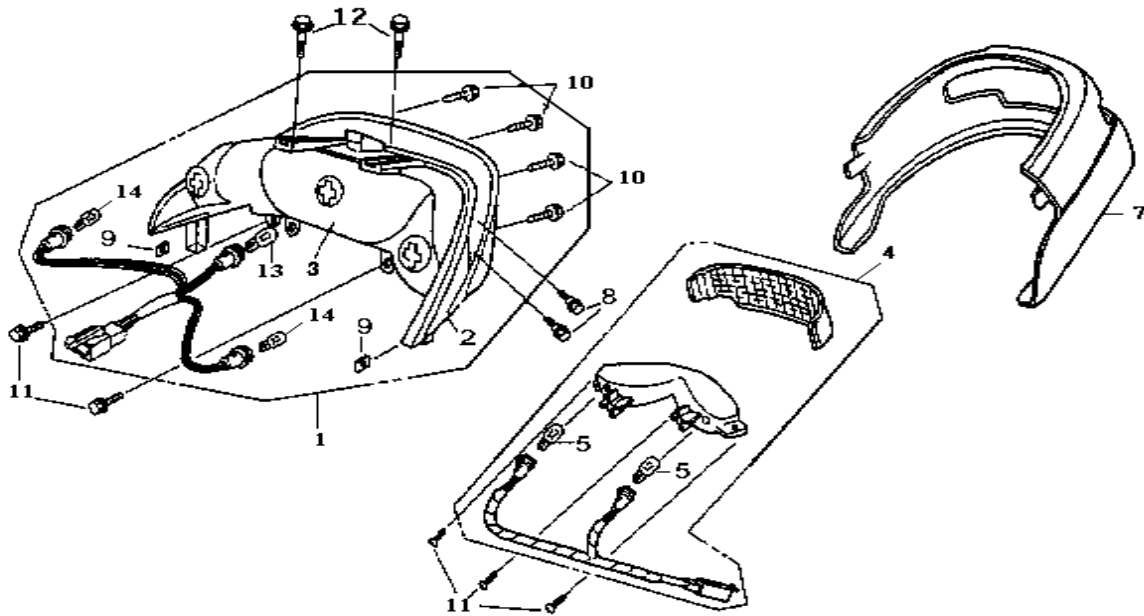
MODEL(S)		A	Q	
H150A1-2		P	T	
	BLOCK NO .A-1	P	Y	
DESCRIPTION	CHANGE DATE	L	R	PARTS NUMBER
		Y	E	
			Q	
1.Fuel pump ass'y			1	1670A-H01-000
2.Fuel strainer ass'y			1	1691A-H01-000
3.Fuel tank ass'y			1	1750A-H01-001
5.Fuel fillor cap ass'y			1	17620-H01-010
6.Fuel tank stopper			2	17621-H01-000
7.Fuel hose ass'y			1	17681-H01-000
8.Fuel unit lock nut			1	17770-H01-000
9.Fuel unit			1	37800-H01-000
10.Floor plate ass'ys			1	50357-H01-000
12.Floor bolt 6×12			2	95701-06012-08
13.Washer bolt 6×16			1	93404-06016-00



MODEL(S) H150A1-2	CHANGE DATE	A P P L Y	Q T Y R E Q	
BLOCK NO .A-1 DESCRIPTION				PARTS NUMBER
1.Mian stand ass'y			1	50500-H01-000
4.Mian stand collar.			1	50503-H01-000
5.Mian stand collar A			1	50506-H01-000
6.Stand stopper rubber			1	50505-KN7-670
7.Side stand comp.			2	50530-H01-000
8.Flange bolt M10×1.25			1	90101-H01-000
9.Side stand screw			2	90108-KN7-670
10.Main stand spring D			1	95014-71402
11.Side stand SPG. B1			1	95014-72204
12.Flange bolt M8×25			2	95801-08025-08
13.Flange bolt M8×32			1	95801-08035-08

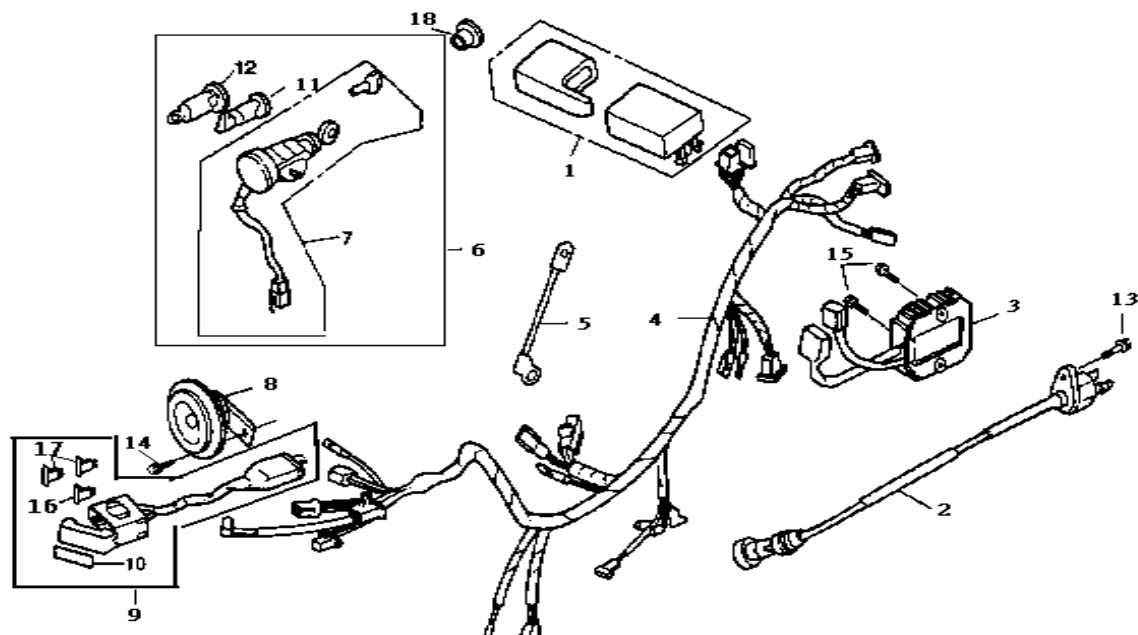


MODEL(S) H150A1-2	CHANGE DATE	A P P L Y	Q T Y R E Q	PARTS NUMBER
BLOCK NO .A-1 DESCRIPTION				
1.Fuel tank stopper			4	17621-H01-000
2.Rad. tube B			1	19108-H01-000
3.RH. water pipe comp.			1	19110-H01-000
4.LH. water pipe comp.			1	19120-H01-010
5.RH. water hose			1	19501-H01-000
6.LH. water hose			1	19502-H01-000
7.RH. water hose guard wire			1	19504-H01-000
8.Water hose clamp			2	19505-KS6-700
9.LH. water hose guard wire			1	19604-H01-000
10.Frame body comp.			1	50100-H1A-000
11.Strg. upper ball race			1	50301-GM0-000
12.Strg. ball race			1	50301-G02-000
13.Strg. stem lock nut			1	50306-M9Q-000
14.Strg. top cone race			1	53211-M9Q-000
15.Seat catch ass'y.			1	7723A-H01-000
17.Flange bolt 10×55			2	90106-GY6-900
18.Flange bolt 6×12			2	95701-06012-08
19.Flange bolt 6×12			2	95801-06012-08
20.Steel ball #5 5/32"			1	96211-05000
21.Steel ball #6 3/16"			1	96211-06000
22.Ball race set			1	50300-H01-000



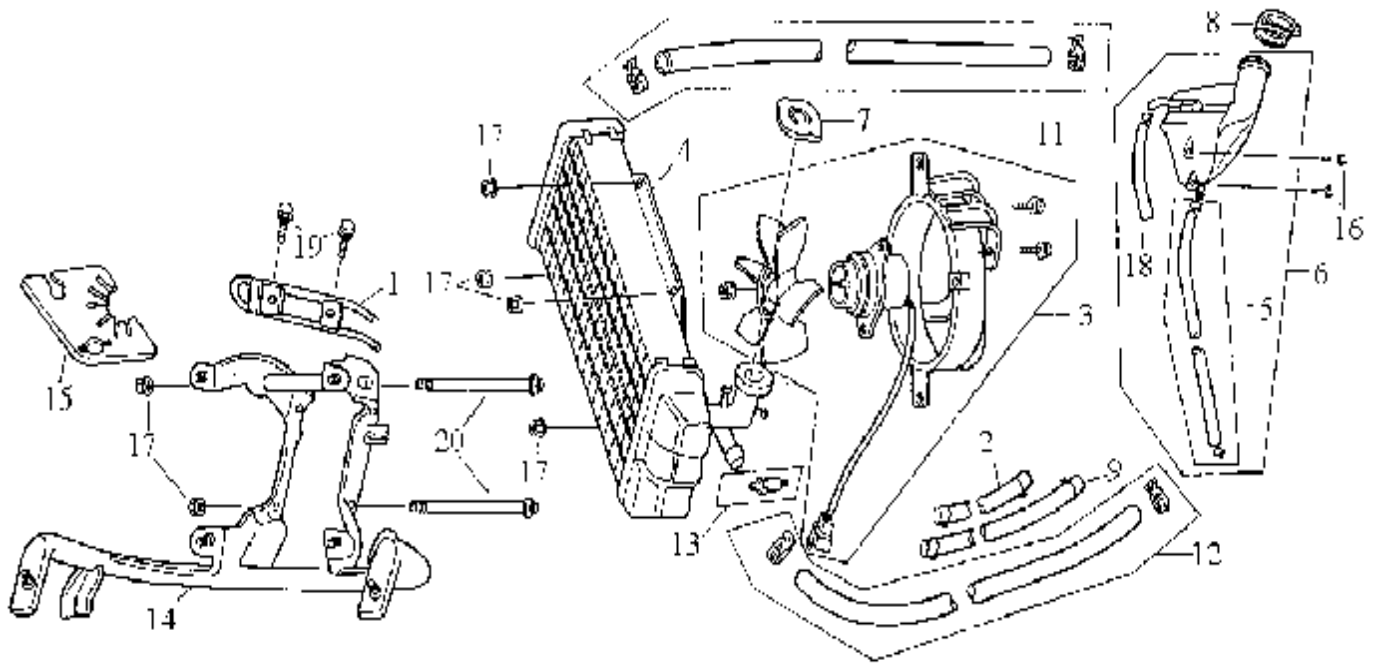
MODEL(S)	CHANGE DATE	A P P L Y	Q T Y R E Q	PARTS NUMBER
H150A1-2				
DESCRIPTION	BLOCK NO .A-1			
1.RR. comb. light ass'y			1	33700-H01-000
2.Tail light lens comp.			1	33702-H01-000
4.RR. reflex reflector ass'y			1	33740-H01-000
5.Wedge base bulb (T10)			2	34908-GA7-701
7.RR. center cover (BU-4035S)			1	83751-H01-000-CO
RR. center cover (GN-5914S)			1	83751-H01-000-NQ
RR. center cover (R-010CA)			1	83751-H01-000-RT
RR. center cover (S-880S)			1	83751-H01-000-SQ
RR. center cover (BK-0406S)			1	83751-H01-000-KV
RR. center cover (BU-282S)			1	83751-H01-000-BJ
8.Flange bolt 6mm			2	90111-162-000B
9.Spring nut M5			2	90320-GC3-000
10.Tapping screw 4×12			4	93903-24320
11.Tapping screw 5×16			5	93903-35320
12.Flange bolt 6×12			2	95801-06012-08
13.Tail light bulb 12V/20/8W			1	34906-B06-000
14.RR. winker bulb 12V/10W			2	34905-GM9-003





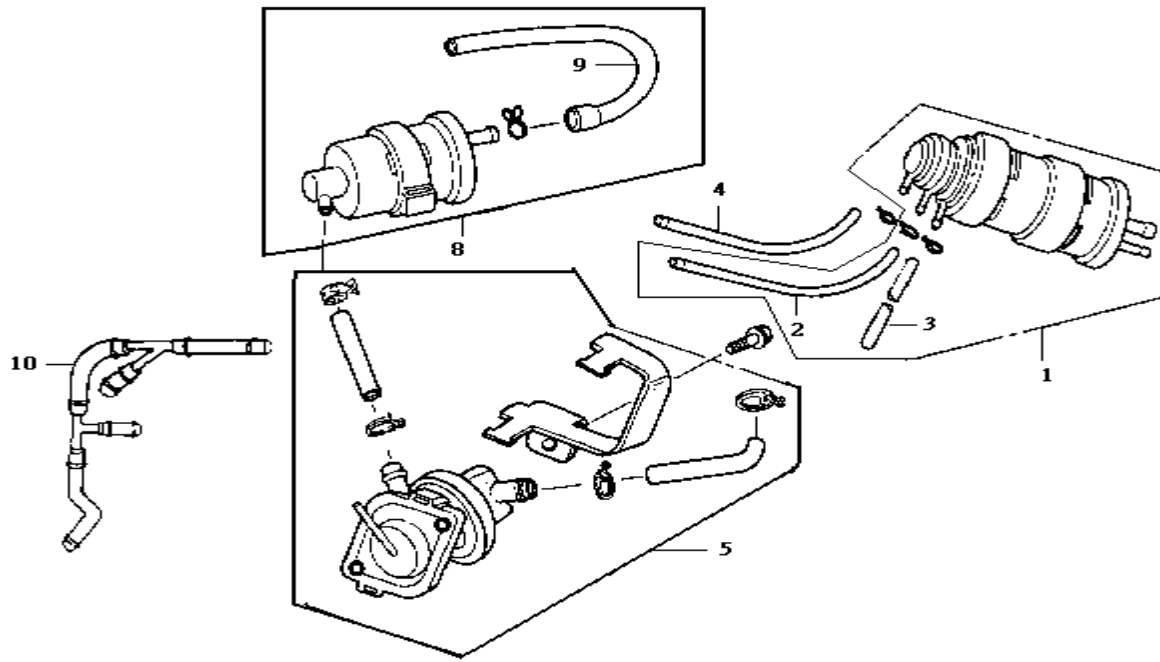
MODEL(S) H150A1-2	CHANGE DATE	A P P L Y	Q T Y R E Q	
BLOCK NO .A-1 DESCRIPTION				PARTS NUMBER
1.C. D. I. unit ass'y			1	30400-H01-000
2.IGN. coil ass'y			1	30500-H01-000
3.Regulate ass'y			1	31600-M56-000
4.Wire harness			1	32100-H01-001
5.Eng. earth cable			1	32609-H01-000
6.Key set			1	3510A-H01-000
7.Comb. <input type="checkbox"/> lock SW. ass'y			1	35100-H01-000
8.Horn comp.			1	38110-H01-000
9.Fuse box ass'y			1	38200-H01-000
11.Seat lock key			1	77230-H01-000
12.Fuel lid lock ass'y			1	77232-H01-000
14.Flange bolt 6×12			1	95801-06012-08
15.Flange bolt 6×16			2	95801-06016-08
16.Blade fuse 10A			1	98200-31000
18.Lock cap			1	35101-H01-000



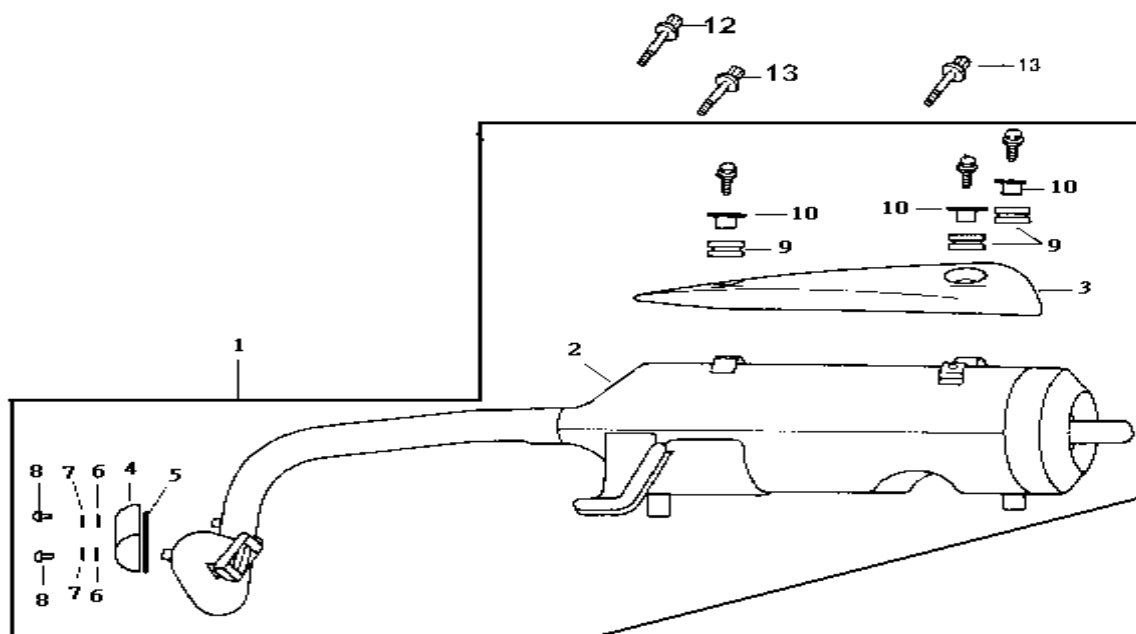


MODEL(S) H150A1-2	CHANGE DATE	A P P L Y	Q T Y R E Q	
BLOCK NO .A-1 DESCRIPTION				PARTS NUMBER
1.Breather pipe comp.			1	17685-H01-000
2.Fuel gas tube comp. A			1	17686-H01-000
3.Shroud ass'y			1	19005-H01-000
4.Radiator comp.			1	19010-H01-000
5.Reserve tank hose			1	19018-H01-000
6.Reserve tank ass'y			1	19100-H01-000
7.Radiator cap comp			1	19045-E32-000
8.Reserve tank cap.			1	19104-MB0-700
9.Rad. tube A			1	19106-H01-000
11.Rad. outlet hose ass'y			1	1912A-H01-000
12.Rad. inlet hose ass'y			1	1912D-H01-000
13.Thermo. SW. ass'y			1	37760-V01-000
14.Radiator mount. brkt. comp.			1	50361-H01-010
15.Radiator guard plate			1	80109-H01-000
16.Flange bolt 6mm			2	90111-162-000B
17.Flange nut 6mm			6	94050-06080
19.Flange bolt 6x12			2	95801-06012-08
20.Flange bolt 6x75			2	95801-06075-08





MODEL(S) H150A1-2	CHANGE DATE	A P P L Y	Q T Y R E Q	
BLOCK NO .A-2 DESCRIPTION				PARTS NUMBER
1.CANI./P. C. V. ass'y			1	17550-H01-000
2.CANI. tube comp.			1	17688-H01-000
4.Fuel gas tube comp. B			1	17689-H01-000
5.A.I.C.V. unit			1	1865A-H01-000
8.A.I.A.C. ass'y			1	1880A-H01-000
10.Tube pluse ass'y			1	38770-H01-010



MODEL(S) H150A1-2	CHANGE DATE	A P P L Y	Q T Y R E Q	
BLOCK NO .A-1 DESCRIPTION				PARTS NUMBER
1.Exh. muffler ass'y.			1	1830A-H01-001
3.Muffler protector			1	18318-H01-000
4.Exh. pipe protector			1	18240-H01-000
9.Damper rubber			3	18251-H01-000
10.Damper collar			3	18252-H01-000
12.Flange bolt 8×40			1	95801-08040-07
13.Flange bolt 8×105			2	95801-08105-07

