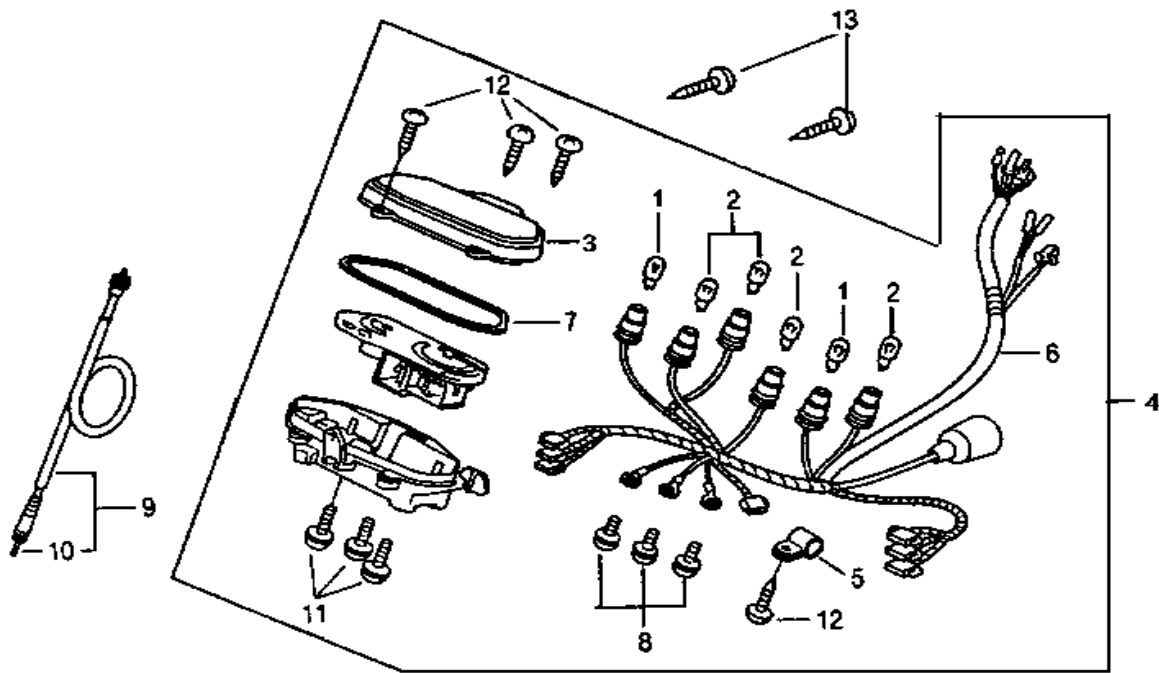
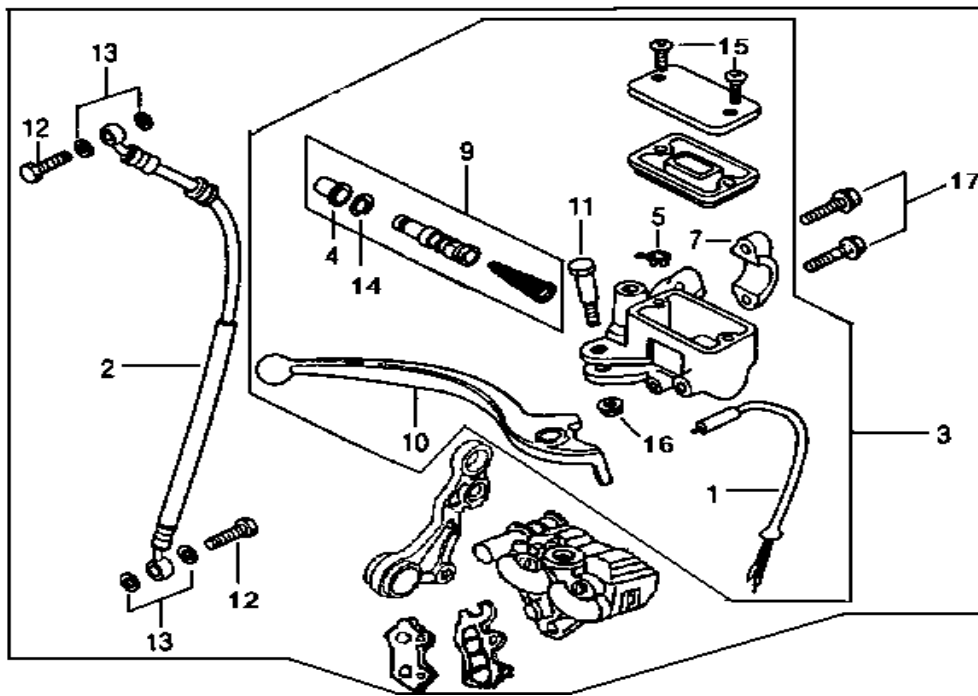


| MODEL(S)<br>A125Q2-2  |                      | A<br>P<br>P<br>L<br>Y | Q<br>T<br>Y<br>R<br>E<br>Q |   |
|---|----------------------|-----------------------|----------------------------|---|
| BLOCK NO. .A-2<br><br>DESCRIPTION   | CHANGE<br>DATE       |                       |                            | PARTS NUMBER  |
| 1.Head light ASSY.<br>2.Head light bulb (12V 35W)<br>3.Bulb position lamp ( 12V 3W )<br>4.Winker light bulb ( 12V 10W )<br>5.Tapping screw 5×12 | #####<br>"<br>"<br>" |                       | 1<br>1<br>2<br>2<br>3      | 33100-M70-020<br>34901-M42-000<br>34903-M42-000<br>34905-B06-000-E<br>93903-25220 |



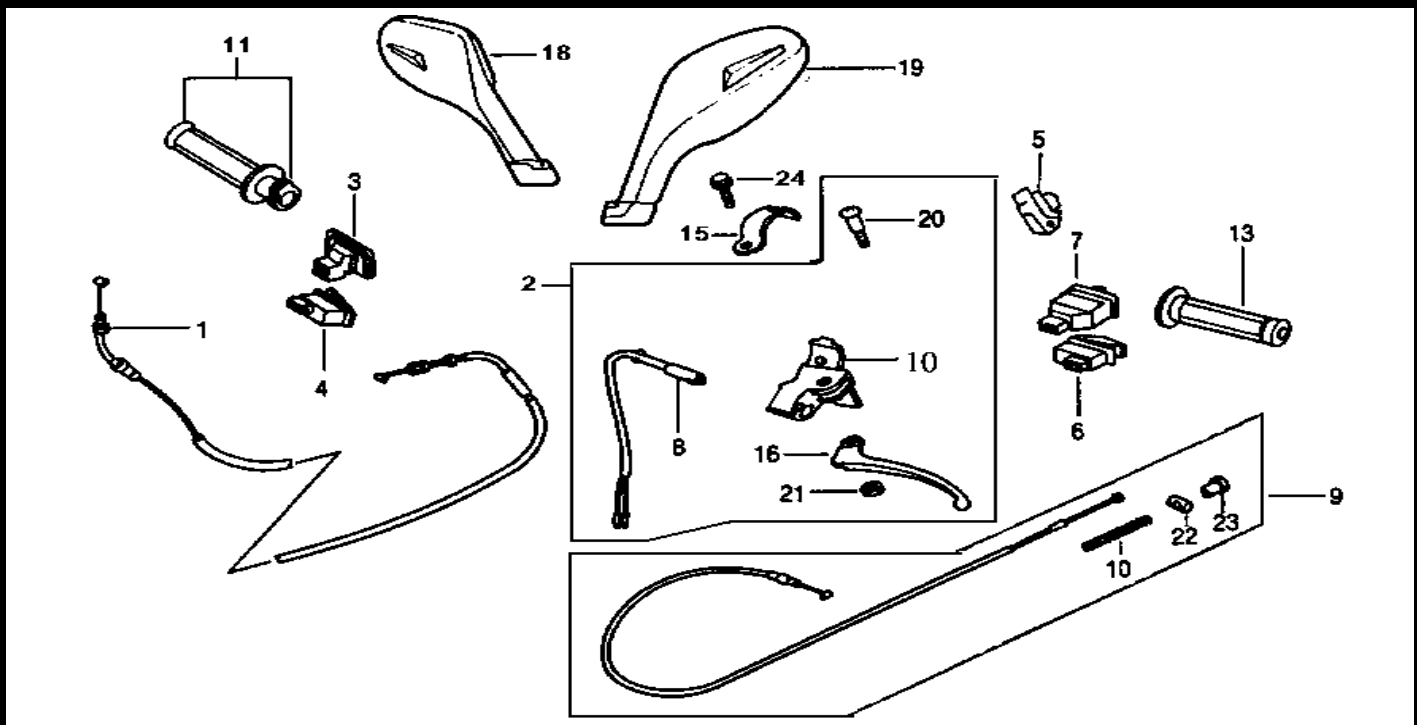


| MODEL(S)<br>A125Q2-2              | CHANGE<br>DATE | A<br>P<br>P<br>L<br>Y | Q<br>T<br>Y<br>R<br>E<br>Q |               |
|-----------------------------------|----------------|-----------------------|----------------------------|---------------|
| BLOCK NO. .A-1<br><br>DESCRIPTION |                |                       |                            | PARTS NUMBER  |
| 1.Bulb wedge base 12V/3.4W        |                |                       | 2                          | 34908-GA7-701 |
| 2.Bilb wedge base 12V/1.7W        |                |                       | 4                          | 34908-MB9-871 |
| 3.Lens                            |                |                       | 1                          | 37211-GY6-000 |
| 4.Speedometer assy                |                |                       | 1                          | 37200-M70-000 |
| Speedometer assy                  | #####          | NO                    | 1                          | 37200-M70-020 |
| 9.Spdmt cable comp                |                |                       | 1                          | 44830-H08-010 |



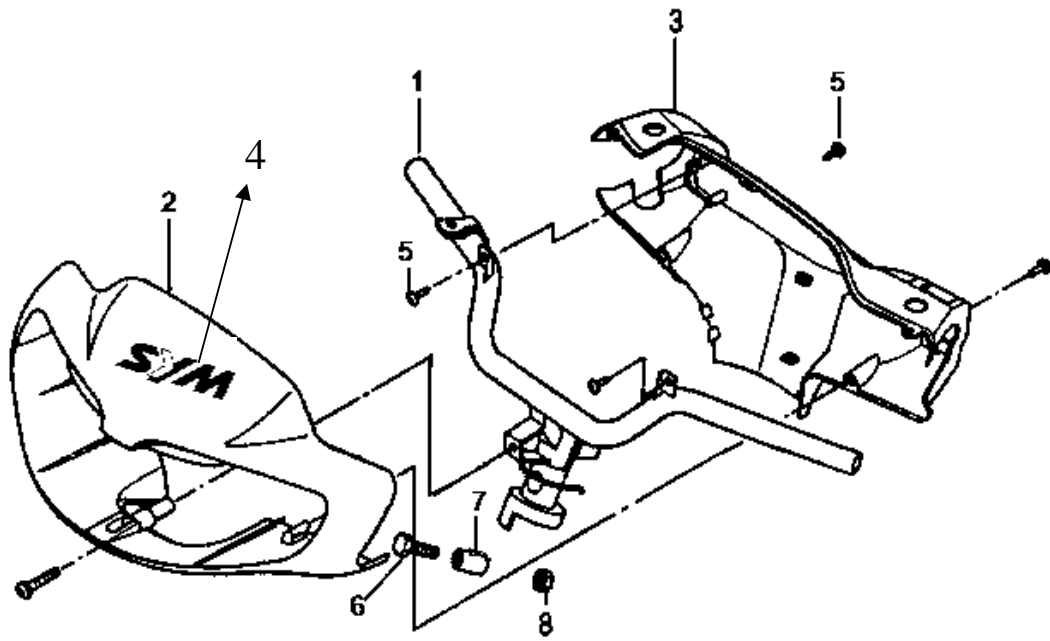
| MODEL(S)<br>A125Q2-2          |                | A | P | Q |                      |
|-------------------------------|----------------|---|---|---|----------------------|
| BLOCK NO. .A-3<br>DESCRIPTION | CHANGE<br>DATE | P | L | R | PARTS NUMBER         |
|                               |                | Y | Y | E |                      |
|                               |                | Q | Q | Q |                      |
| 1.FR. Stop switch             |                |   |   | 1 | 35340-M70-000        |
| 2.FR. brake hose assy         |                |   |   | 1 | 45126-H09-010        |
| 3.FR. master cylinder assy    |                |   |   | 1 | 45500-M70-000        |
| 7.Master cylinder holder      |                |   |   | 1 | 45517-GW0-751        |
| 9.Master cylinder set         |                |   |   | 1 | 45530-MN9-305        |
| 10.R. steering handle lever   |                |   |   | 1 | 53175-H09-020        |
| 11.Handle lever pivot bolt    | Apr./15.2000   | N |   | 1 | 53175-H6C-000        |
| 12.Oil bolt                   |                |   |   | 2 | 90114-166-006        |
| 13.Oil bolt washer            |                |   |   | 4 | 90145-MS9-611        |
| 15.Flat screw 4×12            |                |   |   | 2 | 90545-300-000        |
| 16.Flange nut 6MM             |                |   |   | 1 | 93500-04012-0H       |
| 17.Flange bolt 6×22           |                |   |   | 2 | 94050-06000          |
| 18.FR.brake assy              | Jan./2.2002    | N |   | 1 | 95900-06022-00       |
|                               |                |   |   | 1 | 4550A-M70-000        |
|                               |                |   |   | 1 | <b>4550A-M70-010</b> |



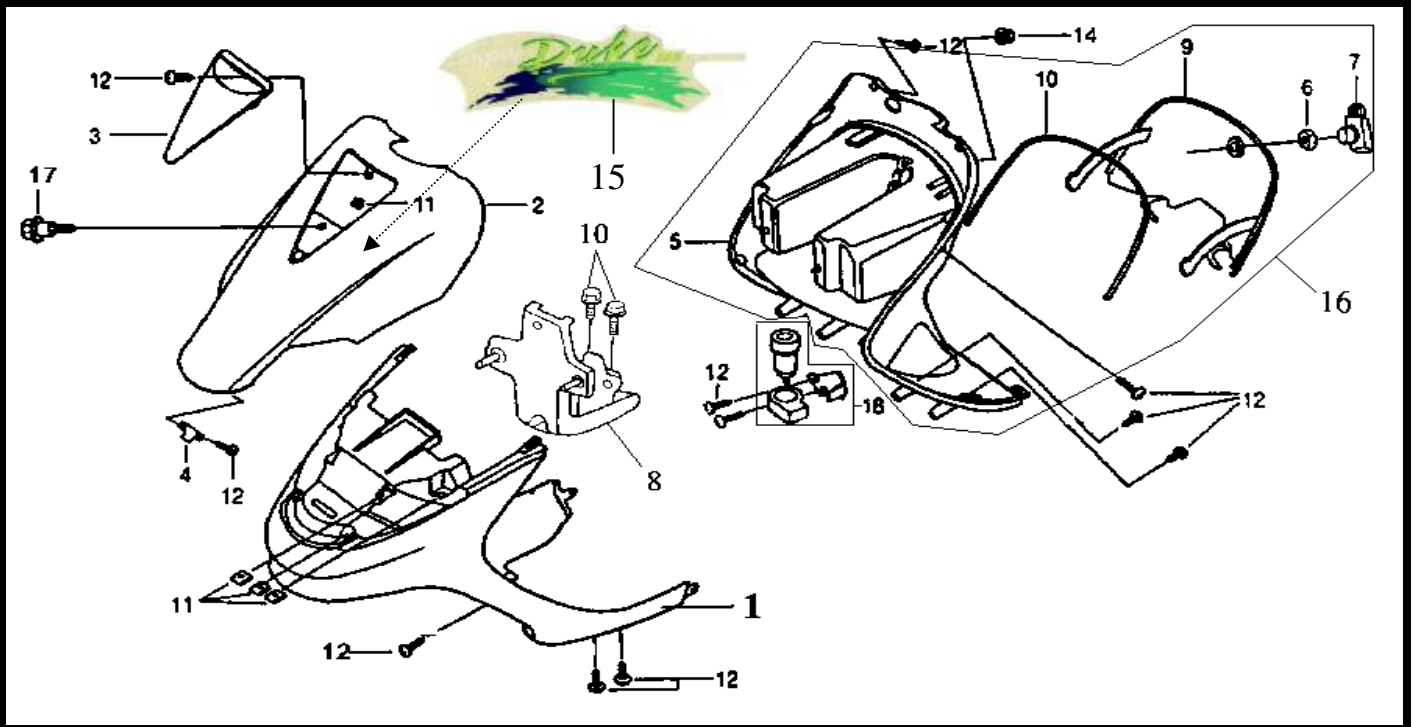


| MODEL(S)                    | CHANGE DATE  | A | Q |                         |
|-----------------------------|--------------|---|---|-------------------------|
| A125Q2-2                    |              | P | T |                         |
| BLOCK NO. .A-5              |              | L | R |                         |
| DESCRIPTION                 |              | Y | E |                         |
|                             |              | Q | Q | PARTS NUMBER            |
| 1.Throt cable comp          |              |   | 1 | 17910-GY6-920           |
| 2.L. STRG Handle Lever assy | 17/06/1999   |   | 1 | 5317B-M70-000           |
| 3.Lighing sw unit           |              |   | 1 | 35150-M38-000           |
| 4.Sw unit start             |              |   | 1 | 35160-M9Q-000           |
| 5.Sw unit dimmer            |              |   | 1 | 35170-M9Q-000           |
| 6.Switch unit horn          |              |   | 1 | 35180-M9Q-000           |
| 7.Switch unit winker        |              |   | 1 | 35200-M9Q-000           |
| 8.Sw assy fr stop           |              |   | 2 | 35340-GY6-920           |
| 9.Rr brk cable comp         |              |   | 1 | 43450-GY6-920           |
| 10.Handle brake             |              |   | 1 | 53172-GY6-920           |
|                             | Mar./15.2000 | N | 1 | 53172-V02-900           |
| 11.Throt grip comp          |              |   | 1 | 53140-M9Q-000           |
| 13.L handle grip            |              |   | 1 | 53166-M9Q-000           |
| 15.Handle brkt band         |              |   | 1 | 53173-GY6-920           |
| 16.Lever L. handle          |              |   | 1 | 53178-V02-900           |
| Lever L. handle             | 29/11/1999   | N | 1 | (REVISED) 53178-V02-800 |
| 18.R back mirror assy       |              |   | 1 | 88110-T40-000           |
| 19.L back mirror assy       |              |   | 1 | 88120-T40-000           |
| 20.Handle level pivot bolt  | 17/06/1999   |   | 1 | 90114-166-006           |
| 21.Hex nut 5MM              |              |   | 2 | 94001-05000-0S          |
| 24.Flange bolt sh 6×20      |              |   | 2 | 96001-06020-00          |



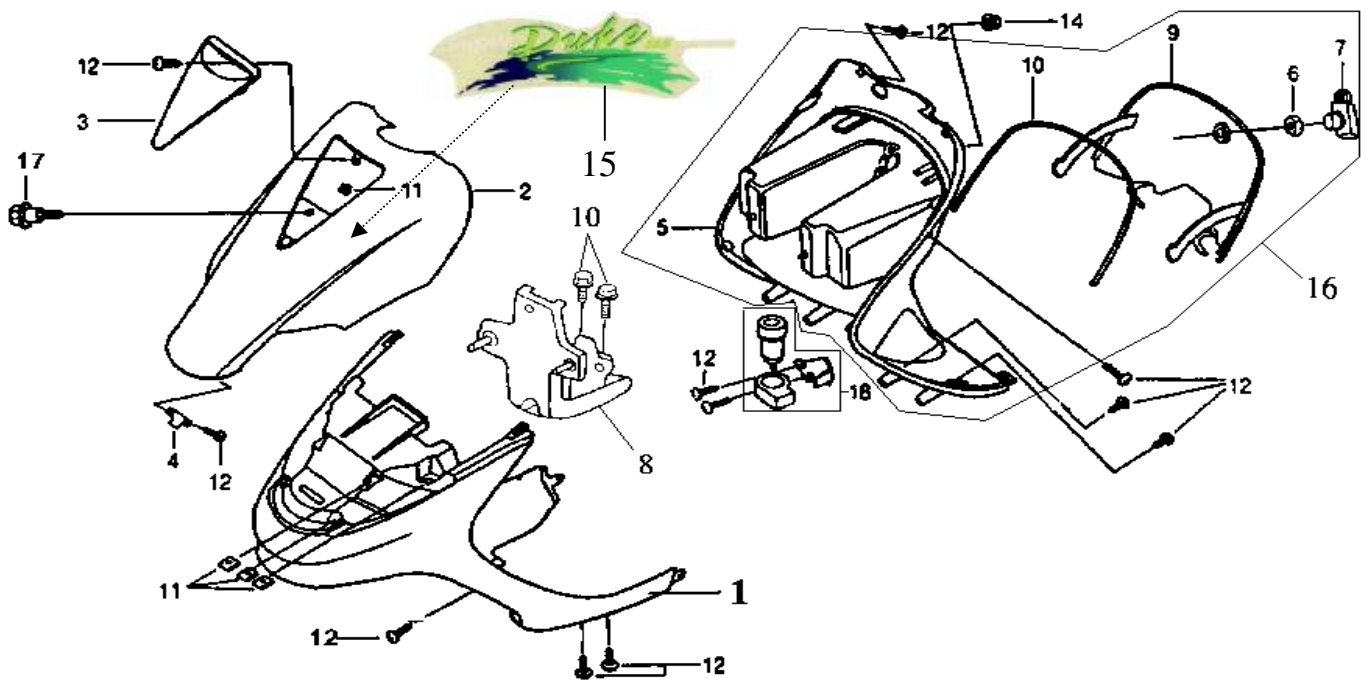


| MODEL(S)<br>A125Q2-2               |                | A<br>P<br>P<br>L<br>Y | Q<br>T<br>Y<br>R<br>E<br>Q |                  |
|------------------------------------|----------------|-----------------------|----------------------------|------------------|
| BLOCK NO. .A-3<br><br>DESCRIPTION  | CHANGE<br>DATE |                       |                            | PARTS NUMBER     |
| 1.Strg handle comp                 |                |                       | 1                          | 5310A-H12-000    |
| 2.FR.handle cover assy (BN-1516P ) |                |                       | 1                          | 5320A-H21-000-AE |
| FR.handle cover assy (BU-283S )    |                |                       | 1                          | 5320A-H21-000-BJ |
| FR.handle cover assy ( BU-4035S )  |                |                       | 1                          | 5320A-H21-000-CO |
| FR.handle cover assy (R-1543S )    |                |                       | 1                          | 5320A-H21-000-HY |
| FR.handle cover assy (BK-001U )    |                |                       | 1                          | 5320A-H21-000-KQ |
| FR.handle cover assy ( BK-0406S )  |                |                       | 1                          | 5320A-H21-000-KV |
| FR.handle cover assy (P-3850U )    |                |                       | 1                          | 5320A-H21-000-LJ |
| FR.handle cover assy ( GN-5310U )  |                |                       | 1                          | 5320A-H21-000-NU |
| FR.handle cover assy ( S-880S )    |                |                       | 1                          | 5320A-H21-000-SQ |
| 3.RR.handle cover ( GY-426U )      |                |                       | 1                          | 53206-H12-000-GK |
| 4.SYM stripe(For BK/GN/P)          | #####          |                       | 1                          | 87123-G22-000-T1 |
| SYM stripe(For S)                  | #####          |                       | 1                          | 87123-G22-000-T2 |
| 5.Tapping screw 4×12               |                |                       | 4                          | 93903-24320      |
| 6.Flange bolt 10×50                |                |                       | 1                          | 90106-GN5-900    |
| 7.Handle setting collar            |                |                       | 1                          | 53125-M9Q-000    |
| 8.Nut u flange 10mm                |                |                       | 1                          | 90304-GW0-901-M1 |

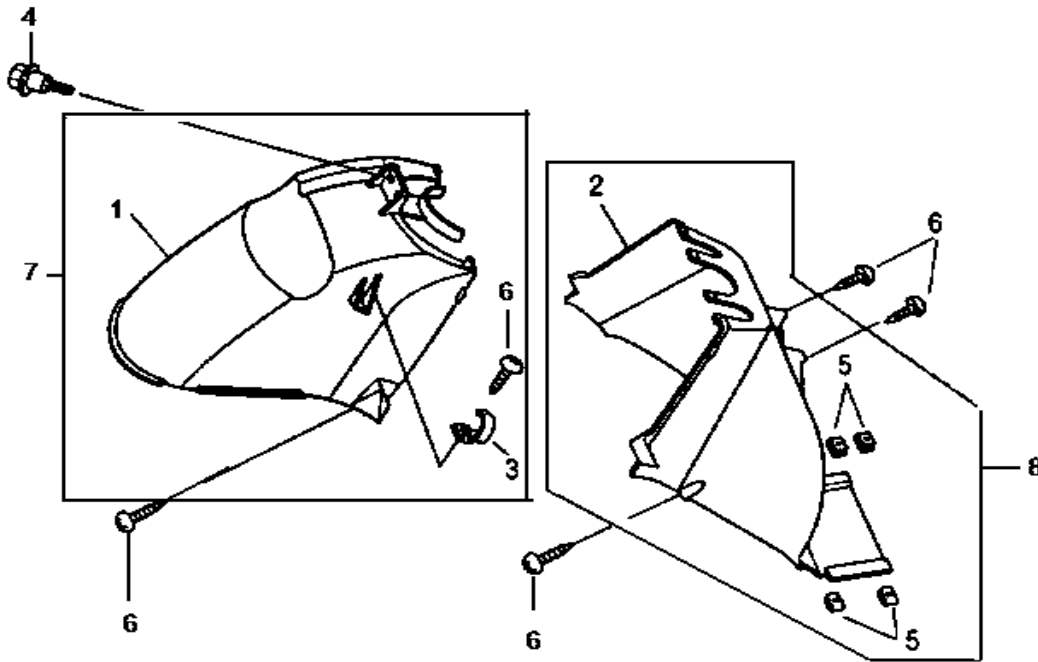


| MODEL(S)<br>A125Q2-2             |                | A<br>P<br>P<br>L<br>Y | Q<br>T<br>Y<br>R<br>E<br>Q |                  |
|----------------------------------|----------------|-----------------------|----------------------------|------------------|
| BLOCK NO. .A-1<br>DESCRIPTION    | CHANGE<br>DATE |                       |                            | PARTS NUMBER     |
| FR.cover lid assy (BU-283S )     |                |                       | 1                          | 6430G-M70-000-BJ |
| FR.cover lid assy (R-1543S )     |                |                       | 1                          | 6430G-M70-000-HY |
| FR.cover lid assy (BN-1516P )    |                |                       | 1                          | 6430G-M70-000-AE |
| 4.FR.cover stay                  |                |                       | 1                          | 64305-H12-000    |
| 5.Inner box ( GY-426U )          |                |                       | 1                          | 64304-H17-001-GK |
| 6.Lick key set nut               |                |                       | 1                          | 75581-H12-000    |
| 7.Inner box lock assy            |                |                       | 1                          | 77233-GY6-900    |
| 8.FR. Fender stay                |                |                       | 1                          | 50315-H12-000    |
| 9.Inner box lid ( GY-426U )      |                |                       | 1                          | 64308-H12-010-GK |
| 10.Flange bolt 6x12              |                |                       | 2                          | 95701-06012-08   |
| 11.Spring nut 4mm                |                |                       | 7                          | 90302-V02-000    |
| 12.Tapping screw 4x12            |                |                       | 19                         | 93903-24320      |
| 15.FR. Cover stripe(for BK/GN/P) |                |                       | 1                          | 87124-M62-000-T1 |
| FR. Cover stripe(for S)          |                |                       | 1                          | 87124-M62-000-T2 |
| 16.Inner box assy                |                |                       | 1                          | 6430A-M62-000-GK |
|                                  |                |                       | 1                          | 6430A-M62-010-GK |
| 17.Flange bolt 6mm               |                |                       | 2                          | 90111-162-000B   |
| 18.Winker relay assy             |                |                       | 1                          | 38300-M34-010    |



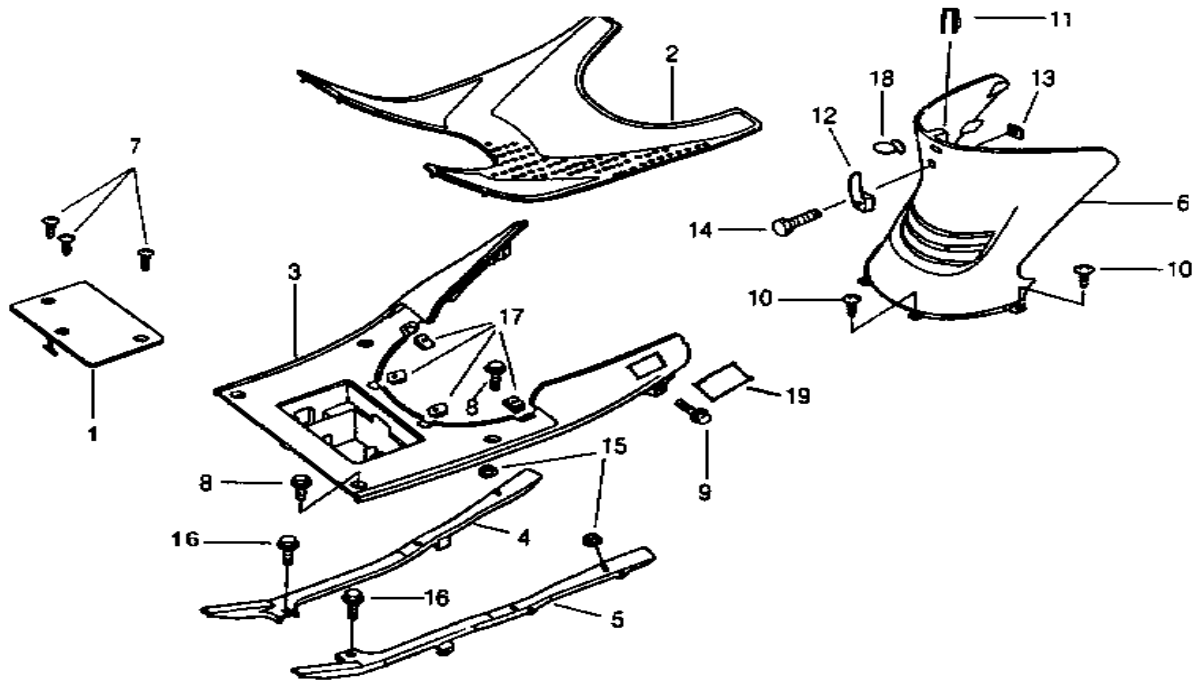


| MODEL(S)                        | CHANGE DATE    | APPLY | QTY REQ | PARTS NUMBER       |
|---------------------------------|----------------|-------|---------|--------------------|
| A125Q2-2                        |                |       |         |                    |
| DESCRIPTION                     | BLOCK NO. .A-1 |       |         |                    |
| 1.FR.fender ( BK-001U )         |                |       | 1       | 61100-H12-000-KA   |
| FR.fender ( P-3730U )           |                |       | 1       | 61100-H12-000-LK   |
| FR.fender ( GN-5310U )          |                |       | 1       | 61100-H12-000-NV   |
| FR.fender ( GY-423U )           |                |       | 1       | 61100-H12-000-GA   |
| FR.fender ( GY-426U )           |                |       | 1       | 61100-H12-000-GK   |
| 2.FR.cover assy ( BK-005S )     |                |       | 1       | 6430B-M62-000-KQ   |
| FR.cover assy( P-3850S )        |                |       | 1       | 6430B-M62-000-LJ   |
| FR.cover assy( GN-5310S )       |                |       | 1       | 6430B-M62-000-NU   |
| FR.cover assy( S-880S )         |                |       | 1       | 6430B-M62-000-SQ   |
| FR.cover assy( BU-4035S )       |                |       | 1       | 64301-H12-000-CO * |
| FR.cover assy( S-880S )         |                |       | 1       | 64301-H12-000-SQ   |
| FR.cover assy( BK-0406S )       |                |       | 1       | 64301-H12-000-KV   |
| FR.cover assy(BU-283S )         |                |       | 1       | 64301-H12-000-BJ   |
| FR.cover assy( R-1543S )        |                |       | 1       | 64301-H12-000-HY   |
| FR.cover assy( BN-1516P)        |                |       | 1       | 64301-H12-000-AE   |
| 3.FR.cover lid assy ( BK-005S ) |                |       | 1       | 6430F-M62-000-KQ   |
| FR.cover lid assy ( P-3850S )   |                |       | 1       | 6430F-M62-000-LJ   |
| FR.cover lid assy (GN-5310S )   |                |       | 1       | 6430F-M62-000-NU   |
| FR.cover lid assy (S-880S )     |                |       | 1       | 6430F-M62-000-SQ   |
| FR.cover lid assy (S-880S )     |                |       | 1       | 6430G-M70-000-CO * |
| FR.cover lid assy (BK-0406S )   |                |       | 1       | 6430G-M70-000-SQ   |
| FR.cover lid assy (BU-283S )    |                |       | 1       | 6430G-M70-000-KV   |

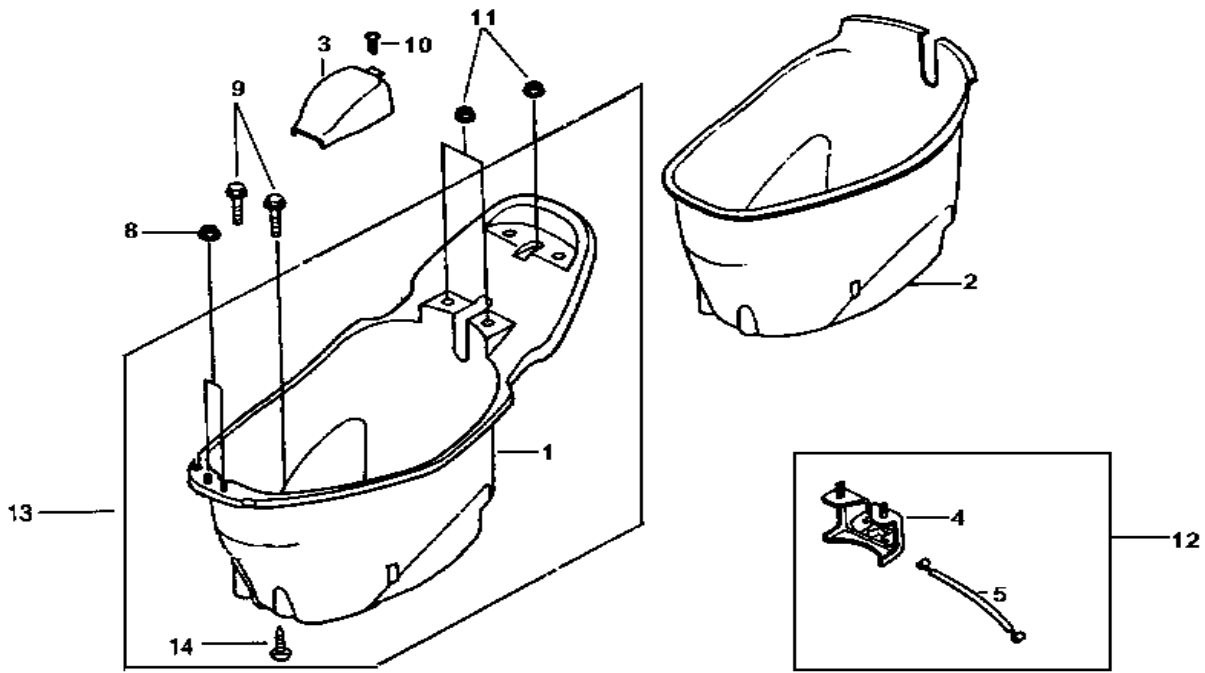


| MODEL(S)<br>A125Q2-2              |                | A<br>P<br>P<br>L<br>Y | Q<br>T<br>Y<br>R<br>E<br>Q |                  |
|-----------------------------------|----------------|-----------------------|----------------------------|------------------|
| BLOCK NO. .A-1<br><br>DESCRIPTION | CHANGE<br>DATE |                       |                            | PARTS NUMBER     |
| 1.FR.inner fender a ( BK-001U )   |                |                       | 1                          | 61101-H12-000-KA |
| 2.FR.inner fender b ( BK-001U )   |                |                       | 1                          | 61102-H12-000-KA |
| 3.Al. duct clamer                 |                |                       | 1                          | 18815-GY6-950    |
| 4.Flange bolt 6mm                 |                |                       | 2                          | 90111-162-000B   |
| 5.Spring nut 4mm                  |                |                       | 4                          | 90302-V02-000    |
| 6.Tapping screw 4×12              |                |                       | 5                          | 93903-24320      |



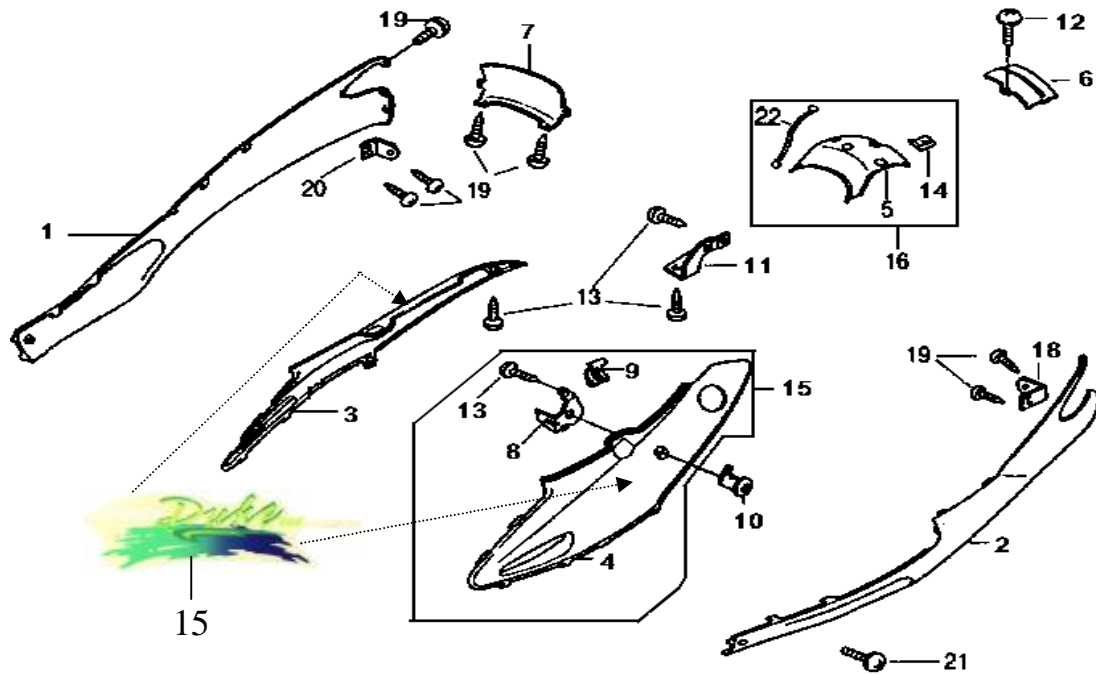


| MODEL(S)<br>A125Q2-2              |                | A<br>P<br>P<br>L<br>Y | Q<br>T<br>Y<br>R<br>E<br>Q |                  |
|-----------------------------------|----------------|-----------------------|----------------------------|------------------|
| BLOCK NO. .A-1<br><br>DESCRIPTION | CHANGE<br>DATE |                       |                            | PARTS NUMBER     |
| 1.Battery cover ( GY-426U )       |                |                       | 1                          | 50326-GY6-900-GK |
| 2.Floor mat ( GY-426U )           |                |                       | 1                          | 64320-H12-000-GK |
| 3.Floor panel ( GY-426U )         |                |                       | 1                          | 64310-H12-000-GK |
| 4.R rnftc floor comp.             |                |                       | 1                          | 50620-M41-000    |
| 5.L rnftc floor comp.             |                |                       | 1                          | 50621-H12-000    |
| 6.Center cover ( GY-426U )        |                |                       | 1                          | 80152-H12-000-GK |
| 7.Tapping screw 5×12              |                |                       | 3                          | 93903-25320      |
| 8.Flange brlt 6mm                 |                |                       | 4                          | 90111-147-000    |
| 9.Washer bolt 5×12                |                |                       | 2                          | 90302-GY6-900    |
| 10.Tapping screw 4×12             |                |                       | 4                          | 93903-24320      |
| 11.Clip nut 6mm                   |                |                       | 1                          | 90305-KBN-902-M2 |
| 12.Helmet hook                    |                |                       | 1                          | 81132-H12-000-GK |
| 13.Gelmet hook bekt               |                |                       | 1                          | 77107-H12-000    |
| 14.Bolt 6×16                      |                |                       | 1                          | 90115-G02-000    |
| 15.Flange nut 6mm                 |                |                       | 2                          | 94050-06080      |
| 16.Flange bolt 6×12               |                |                       | 2                          | 95701-06012-08   |
| 17.Spring nut 4mm                 |                |                       | 4                          | 90302-V02-000    |
| 18.Luggage stopper                |                |                       | 1                          | 81133-H12-000    |
| 19.Adjust hole cap                |                |                       | 1                          | 64313-H12-001    |



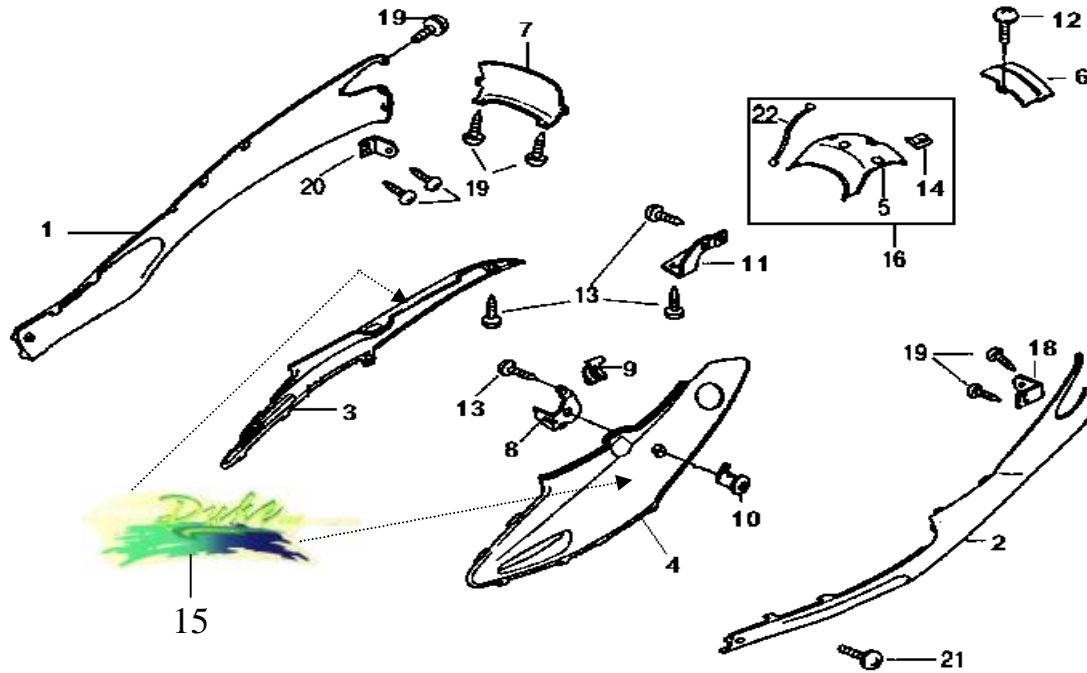
| MODEL(S)<br>A125Q2-2              |                | A<br>P<br>P<br>L<br>Y | Q<br>T<br>Y<br>R<br>E<br>Q |                |
|-----------------------------------|----------------|-----------------------|----------------------------|----------------|
| BLOCK NO. .A-1<br><br>DESCRIPTION | CHANGE<br>DATE |                       |                            | PARTS NUMBER   |
| 2.Luggage box mat                 |                |                       | 1                          | 83630-H12-000  |
| 8.Flange nut 6mm                  |                |                       | 1                          | 94050-06000    |
| 9.Flange bolt 6mm                 |                |                       | 2                          | 90111-162-000B |
| 10.Special screw 6×17             |                |                       | 2                          | 90381-GZ5-000  |
| 11.Open stay nut 6mm              |                |                       | 1                          | 90301-693-000  |
| 12.Seat catch assy                |                |                       | 3                          | 7723A-M9Q-000  |
| 13.Luggage box assy               |                |                       | 1                          | 8126A-M62-900  |





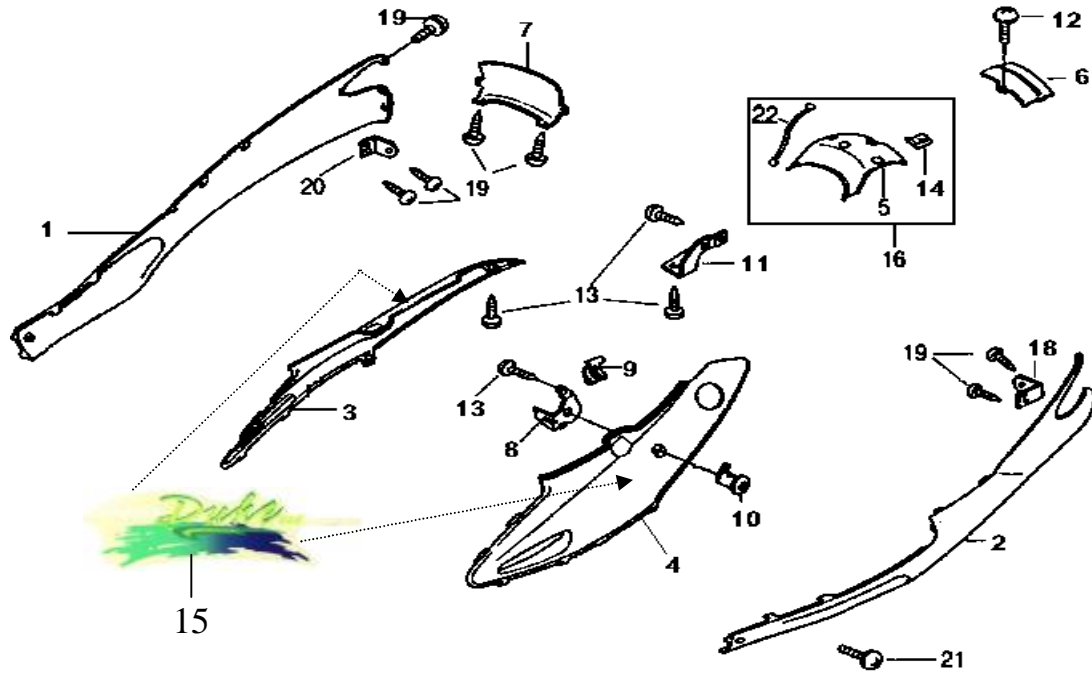
| MODEL(S)<br>A125Q2-2               |                | A<br>P<br>P<br>L<br>Y | Q<br>T<br>Y<br>R<br>E<br>Q |                                |
|------------------------------------|----------------|-----------------------|----------------------------|--------------------------------|
| BLOCK NO. .A-2<br><br>DESCRIPTION  | CHANGE<br>DATE |                       |                            | PARTS NUMBER                   |
| 1.RH.side cover ( <i>BK-001U</i> ) |                |                       | 1                          | 83501-H12-000-KA               |
| RH.side cover ( <i>P-3730U</i> )   |                |                       | 1                          | 83501-H12-000-LK               |
| RH.side cover ( <i>GN-5310U</i> )  |                |                       | 1                          | 83501-H12-000-NV               |
| RH.side cover ( <i>GY-423U</i> )   |                |                       | 1                          | 83501-H12-000-GA               |
| RH.side cover ( <i>GY-426U</i> )   |                |                       | 1                          | 83501-H12-000-GK               |
| 2.LH.side cover ( <i>BK-001U</i> ) |                |                       | 1                          | 83601-H12-000-KA               |
| LH.side cover ( <i>P-3730U</i> )   |                |                       | 1                          | 83601-H12-000-LK               |
| LH.side cover ( <i>GN-5310U</i> )  |                |                       | 1                          | 83601-H12-000-NV               |
| LH.side cover ( <i>GY-423U</i> )   |                |                       | 1                          | 83601-H12-000-GA               |
| LH.side cover ( <i>GY-426U</i> )   |                |                       | 1                          | 83601-H12-000-GK               |
| 3.RH.body cover ( <i>BK-005S</i> ) |                |                       | 1                          | <i>BLACK</i> 8350Z-M62-000-KQ  |
| RH.body cover ( <i>P-3850S</i> )   |                |                       | 1                          | <i>PURPLE</i> 8350Z-M62-000-LJ |
| RH.body cover ( <i>GN-5310S</i> )  |                |                       | 1                          | <i>GREEN</i> 8350Z-M62-000-NU  |
| RH.bosy cover ( <i>S-880S</i> )    |                |                       | 1                          | <i>SILVER</i> 8350Z-M62-000-SQ |
| RH.body cover ( <i>BU-4035S</i> )  |                |                       | 1                          | <i>BULE</i> 8350G-M70-000-CO * |
| RH.bosy cover ( <i>S-880S</i> )    |                |                       | 1                          | <i>SILVER</i> 8350G-M70-000-SQ |
| RH.body cover ( <i>BK-0406S</i> )  |                |                       | 1                          | <i>BLACK</i> 8350G-M70-000-KV  |
| RH.bosy cover ( <i>BU-283S</i> )   |                |                       | 1                          | <i>BULE</i> 8350G-M70-000-BJ   |
| RH.body cover ( <i>R-1543S</i> )   |                |                       | 1                          | <i>RED</i> 8350G-M70-000-HY    |
| RH.bosy cover ( <i>BN-1516P</i> )  |                |                       | 1                          | <i>BROWM</i> 8350G-M70-000-AE  |
| 4.LH.body cover ( <i>BK-005S</i> ) |                |                       | 1                          | <i>BLACK</i> 8360Z-M62-000-KQ  |
| LH.body cover ( <i>P-3850S</i> )   |                |                       | 1                          | <i>PURPLE</i> 8360Z-M62-000-LJ |





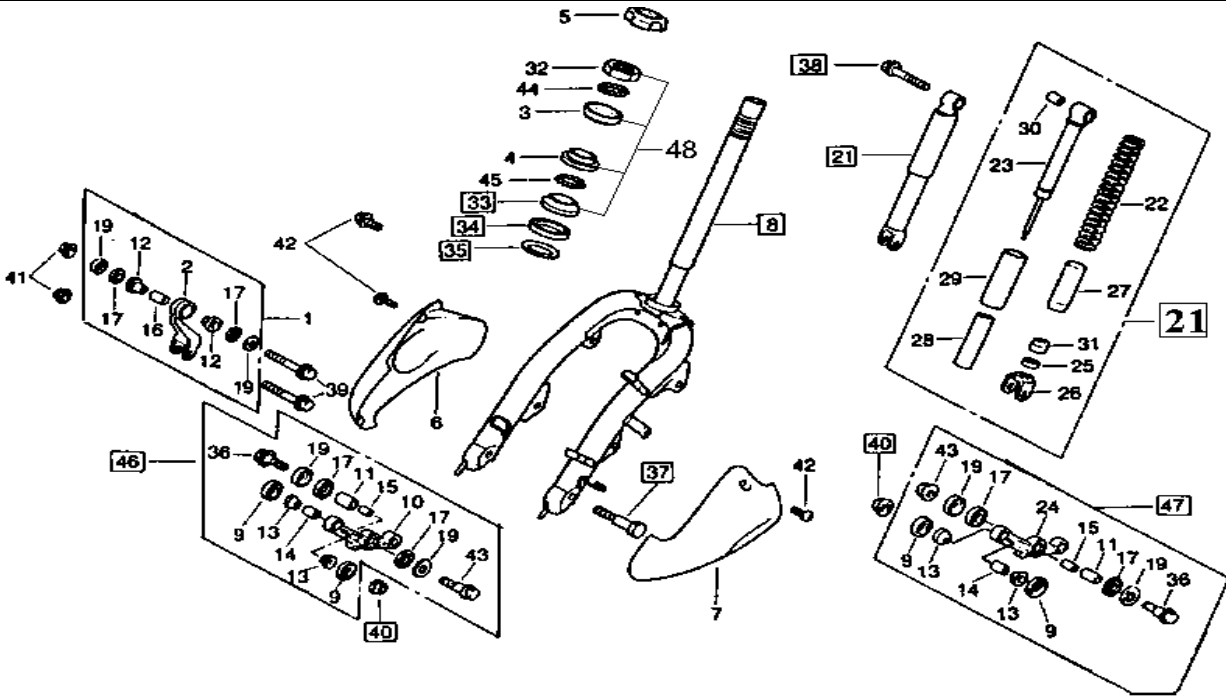
| MODEL(S)                                |        | A | Q |                                |
|---|--------|---|---|--------------------------------|
| A125Q2-2                                |        | P | T |                                |
| BLOCK NO. .A-2                          | CHANGE | L | R |                                |
|   | DATE   | Y | E |                                |
| DESCRIPTION                             |        |   | Q | PARTS NUMBER                   |
| LH.body cover ( <i>GN-5310S</i> )       |        |   | 1 | <i>GREEN</i> 8360Z-M62-000-NU  |
| LH.body cover ( <i>S-880S</i> )         |        |   | 1 | <i>SILVER</i> 8360Z-M62-000-SQ |
| LH.body cover ( <i>BU-4035S</i> )       |        |   | 1 | <i>BULE</i> 8360G-M70-000-CO * |
| LH.bosy cover ( <i>S-880S</i> )         |        |   | 1 | <i>SILVER</i> 8360G-M70-000-SQ |
| LH.body cover ( <i>BK-0406S</i> )       |        |   | 1 | <i>BLACK</i> 8360G-M70-000-KV  |
| LH.bosy cover ( <i>BU-283S</i> )        |        |   | 1 | <i>BULE</i> 8360G-M70-000-BJ   |
| LH.body cover ( <i>R-1543S</i> )        |        |   | 1 | <i>RED</i> 8360G-M70-000-HY    |
| LH.bosy cover ( <i>BN-1516P</i> )       |        |   | 1 | <i>BROWM</i> 8360G-M70-000-AE  |
| 5.RR.Ccner up cover A( <i>BK-005S</i> ) | #####  |   | 1 | <i>BLACK</i> 8365A-M70-000-KQ  |
| RR.Ccner up cover A ( <i>P-3850S</i> )  | #####  |   | 1 | <i>PURPLE</i> 8365A-M70-000-LJ |
| RR.Ccner up cover A( <i>GN-5310S</i> )  | #####  |   | 1 | <i>GREEN</i> 8365A-M70-000-NU  |
| RR.Ccner up cover A ( <i>S-880S</i> )   | #####  |   | 1 | <i>SILVER</i> 8365A-M70-000-SQ |
| RR.Ccner up cover A ( <i>BU-4035S</i> ) |        |   | 1 | <i>BLUE</i> 8365A-M70-000-CO * |
| RR.Ccner up cover A( <i>BK-0406S</i> )  |        |   | 1 | <i>BLACK</i> 8365A-M70-000-KV  |
| RR.Ccner up cover A ( <i>BU-283S</i> )  |        |   | 1 | <i>BLUE</i> 8365A-M70-000-BJ   |
| RR.Ccner up cover A( <i>R-1543S</i> )   |        |   | 1 | <i>RED</i> 8365A-M70-000-HY    |
| RR.Ccner up cover A ( <i>BN-1516P</i> ) |        |   | 1 | <i>BROWM</i> 8365A-M70-000-AE  |
| 6.RR.Ccner up cover B( <i>BK-005S</i> ) |        |   | 1 | <i>BLACK</i> 83660-H12-000-KQ  |
| RR.Ccner up cover B ( <i>P-3850S</i> )  |        |   | 1 | <i>PURPLE</i> 83660-H12-000-LJ |
| RR.Ccner up cover B( <i>GN-5310S</i> )  |        |   | 1 | <i>GREEN</i> 83660-H12-000-NU  |
| RR.Ccner up cover B ( <i>S-880S</i> )   |        |   | 1 | <i>SILVER</i> 83660-H12-000-SQ |
| RR.Ccner up cover B ( <i>BU-4035S</i> ) |        |   | 1 | <i>BLUE</i> 83660-H12-000-CO * |





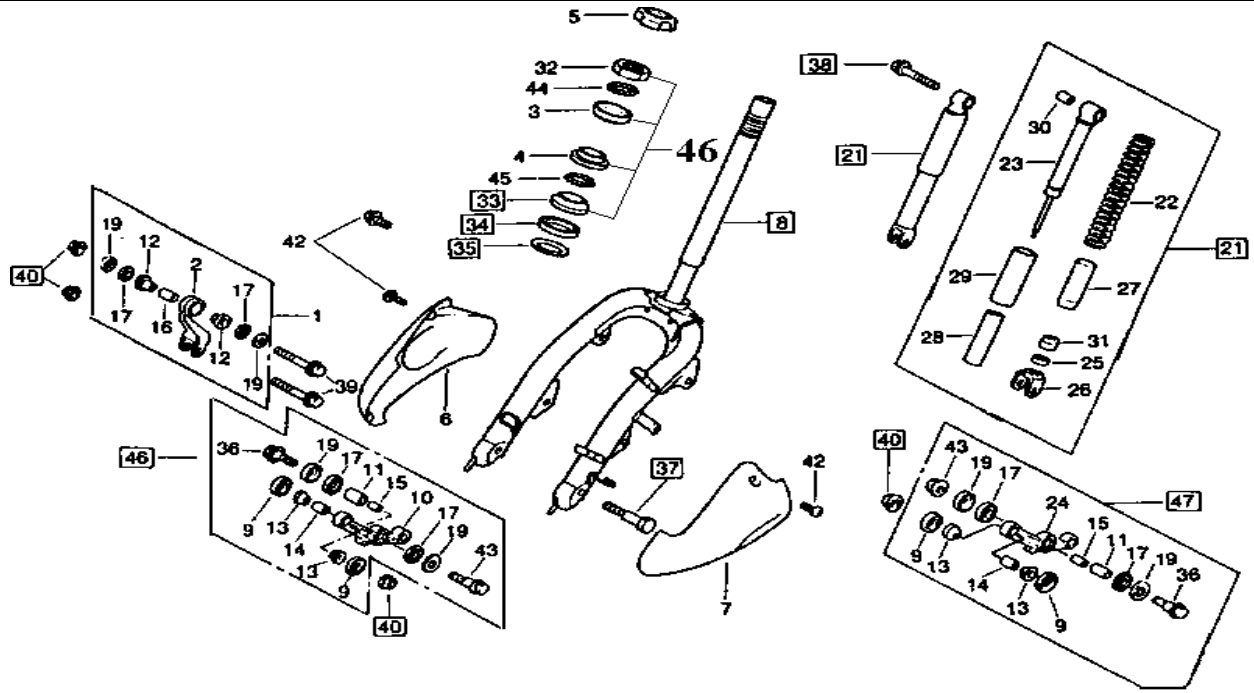
| MODEL(S)                                 |        | A | Q  |               |                  |
|--|--------|---|----|---------------|------------------|
| A125Q2-2                                 |        | P | T  |               |                  |
| BLOCK NO. .A-1                           | CHANGE | L | Y  |               |                  |
|  | DATE   | Y | R  |               |                  |
| DESCRIPTION                              |        |   | Q  |               | PARTS NUMBER     |
| RR.Center up cover B ( <i>BK-0406S</i> ) |        |   | 1  | <i>BLACK</i>  | 83660-H12-000-KV |
| RR.Center up cover B ( <i>BU-283S</i> )  |        |   | 1  | <i>BLUE</i>   | 83660-H12-000-BJ |
| RR.Center up cover B ( <i>R-1543S</i> )  |        |   | 1  | <i>RED</i>    | 83660-H12-000-HY |
| RR.Center up cover B ( <i>BN-1516P</i> ) |        |   | 1  | <i>BROWN</i>  | 83660-H12-000-AE |
| 7.RR.cent.low. assy ( <i>BK-001U</i> )   |        |   | 1  |               | 83751-H12-000-KA |
| RR.cent.low. assy ( <i>P-3730U</i> )     |        |   | 1  |               | 83751-H12-000-LK |
| RR.cent.low. assy ( <i>GN-5310U</i> )    |        |   | 1  |               | 83751-H12-000-NV |
| RR.cent.low. assy ( <i>GY-423U</i> )     |        |   | 1  |               | 83751-H12-000-GA |
| RR.cent.low. assy ( <i>GY-426U</i> )     |        |   | 1  |               | 83751-H12-000-GK |
| 8.Seat lock stay                         |        |   | 1  |               | 77232-H12-010    |
| 9.Set nut lock key                       |        |   | 1  |               | 75581-M9Q-000    |
| 10.Seat lock                             |        |   | 1  |               | 77239-GY6-003    |
| 11.Body cover conn.plate                 |        |   | 1  |               | 83504-H12-010    |
| 12.Washer screw 5×14                     |        |   | 3  |               | 90118-T15-000    |
| 14.Spring nut 5mm                        |        |   | 1  |               | 90320-GC3-000    |
| 15.R.L.Body cover stripe                 | #####  |   | 1  | (for BK/GN/P) | 87126-M62-000-T1 |
| R.L.Body cover stripe                    | #####  |   | 1  | (for S)       | 87126-M62-000-T2 |
| 18.R.side cover stay                     |        |   | 1  |               | 83505-H12-010    |
| 19.Tapping screw 4×12                    |        |   | 12 |               | 93903-24310      |
| 20.L.side cover stay                     |        |   | 1  |               | 83506-H12-010    |
| 21.Washer screw 5×16                     |        |   | 2  |               | 93891-05016-07   |





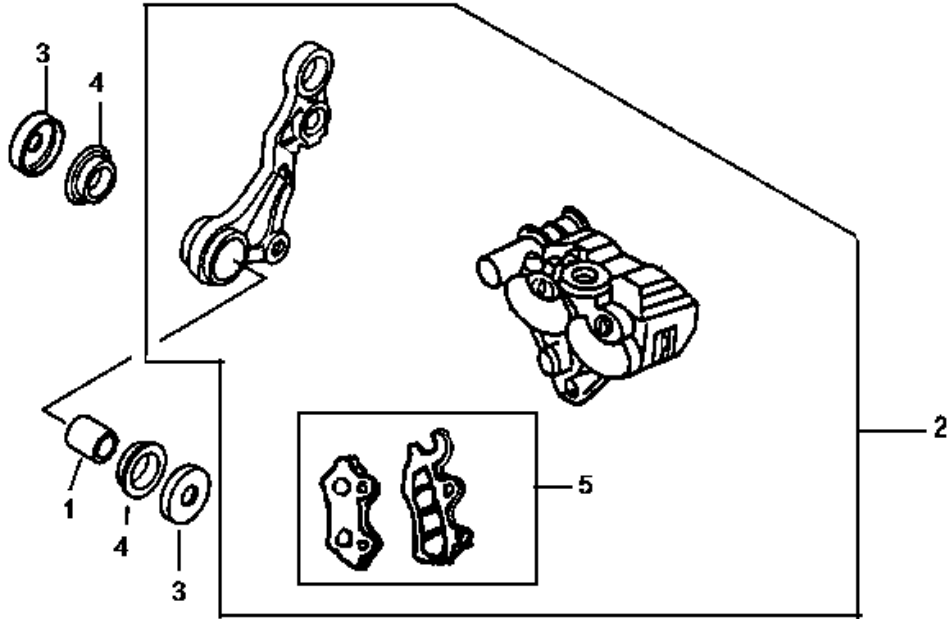
| MODEL(S)                               | CHANGE DATE    | A<br>P<br>P<br>L<br>Y | Q<br>T<br>Y<br>R<br>E<br>Q | PARTS NUMBER     |
|--|----------------|-----------------------|----------------------------|------------------|
| A125Q2-2                               |                |                       |                            |                  |
| DESCRIPTION                            | BLOCK NO. .A-1 |                       |                            |                  |
| 1.FR.brk. torque lind assy             |                |                       | 1                          | 4543A-H09-000    |
| 3.Race up strg ball                    |                |                       | 1                          | 50301-M9Q-000    |
| 5.Strg stem lock nut                   |                |                       | 1                          | 50306-M9Q-000    |
| 6.R pivot arm cover ( <i>BK-001U</i> ) |                |                       | 1                          | 5110A-H12-000-KA |
| R pivot arm cover ( <i>P-3730U</i> )   |                |                       | 1                          | 5110A-H12-000-LK |
| R pivot arm cover ( <i>GN-5310U</i> )  |                |                       | 1                          | 5110A-H12-000-NV |
| R pivot arm cover ( <i>GY-423U</i> )   |                |                       | 1                          | 5110A-H12-000-GA |
| R pivot arm cover ( <i>GY-426U</i> )   |                |                       | 1                          | 5110A-H12-000-GK |
| 7.L pivot arm cover ( <i>BK-001U</i> ) |                |                       | 1                          | 5120A-H12-000-KA |
| L pivot arm cover ( <i>P-3730U</i> )   |                |                       | 1                          | 5120A-H12-000-LK |
| L pivot arm cover ( <i>GN-5310U</i> )  |                |                       | 1                          | 5120A-H12-000-NV |
| L pivot arm cover ( <i>GY-423U</i> )   |                |                       | 1                          | 5120A-H12-000-GA |
| L pivot arm cover ( <i>GY-423U</i> )   |                |                       | 1                          | 5120A-H12-000-GK |
| 8.Fr. fork comp                        |                |                       | 1                          | 51105-H12-000    |
| 16.Collar torque link                  |                |                       | 1                          | 51334-KV7-670    |
| 17.FR cush under dust seal             |                |                       | 6                          | 51335-001-000    |
| 21+46 R.arm assy                       |                |                       | 1                          | 51350-H12-000    |
| 21+47 L arm assy                       |                |                       | 1                          | 51450-H12-000    |
| 32.Race strg top cone                  |                |                       | 1                          | 53211-M9Q-000    |
| 33.Race strg bot cone                  |                |                       | 1                          | 53212-250-010    |
| 34.Dust seal strg head                 |                |                       | 1                          | 53214-250-000    |
| 35.Strg head dust seal washer          |                |                       | 1                          | 53215-250-000    |





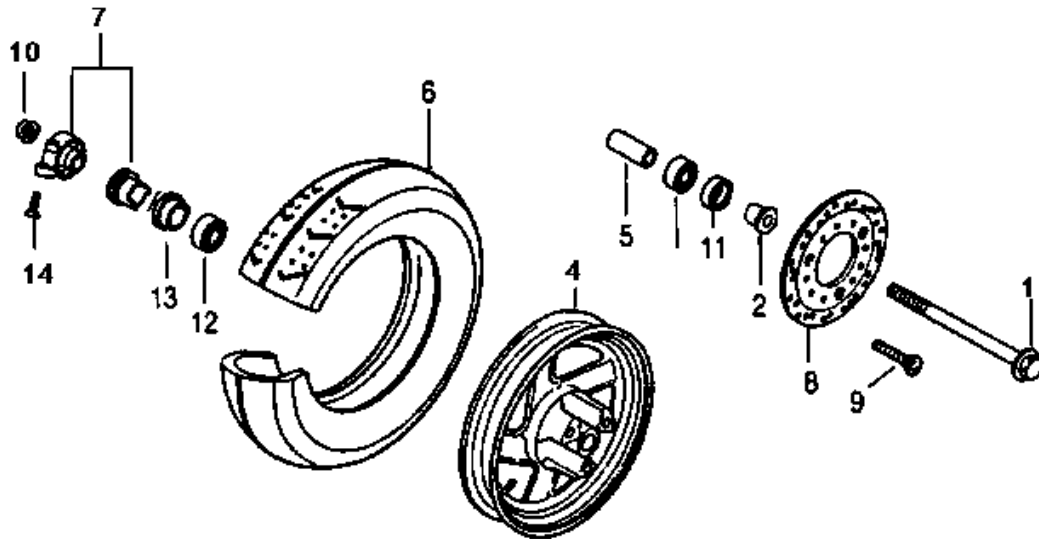
| MODEL(S)                        |                | A | Q  |               |
|---------------------------------|----------------|---|----|---------------|
| A125Q2-2                        |                | P | T  |               |
|                                 | BLOCK NO. .A-1 | L | R  |               |
|                                 | CHANGE DATE    | Y | E  |               |
| DESCRIPTION                     |                |   | Q  | PARTS NUMBER  |
| 36.Bolt fr cush und             |                |   | 2  | 90104-KS4-000 |
| 37.Flange bolt 8x48             |                |   | 2  | 90111-GC3-000 |
| 38.Flange bolt 8x37             |                |   | 2  | 90118-471-000 |
| 39.Flange bolt 8x38             |                |   | 2  | 90118-GM9-741 |
| 40.Flange nut 8mm               |                |   | 4  | 90309-KF0-003 |
| 42.Flange bolt 6mm              |                |   | 2  | 90508-GC8-000 |
| 43.Nut hex 8mm                  |                |   | 2  | 94002-GC8-000 |
| 44.Steel ball #5                |                |   | 26 | 96211-05000   |
| 45.Steel ball 8mm ( 1/4" BALL ) |                |   | 19 | 96211-08000   |
| 48.Ball race set                |                |   | 1  | 50300-KV7-000 |



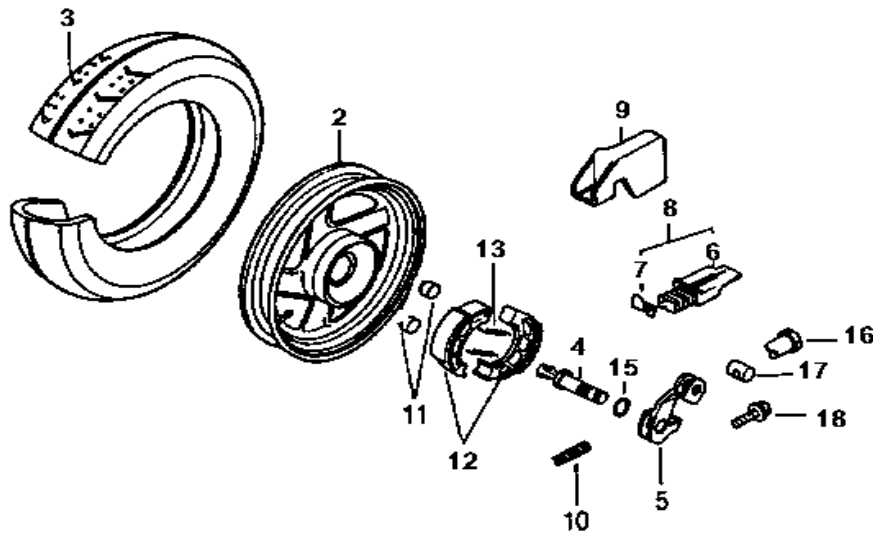


| MODEL(S)<br>A125Q2-2              |                | A<br>P<br>P<br>L<br>Y | Q<br>T<br>Y<br>R<br>E<br>Q |                  |
|-----------------------------------|----------------|-----------------------|----------------------------|------------------|
| BLOCK NO. .A-1<br><br>DESCRIPTION | CHANGE<br>DATE |                       |                            | PARTS NUMBER     |
| 1.Front brake collar b            |                |                       | 1                          | 44313-GM9-710    |
| 2.L front calliper assy           |                |                       | 1                          | 45050-H13-000    |
| 3.Dust seal                       |                |                       | 2                          | 45104-GM9-003    |
| 4.Front fork bush                 |                |                       | 2                          | 45131-GM9-710    |
| 5.Pad                             |                |                       | 1                          | 45105-H13-000-AC |

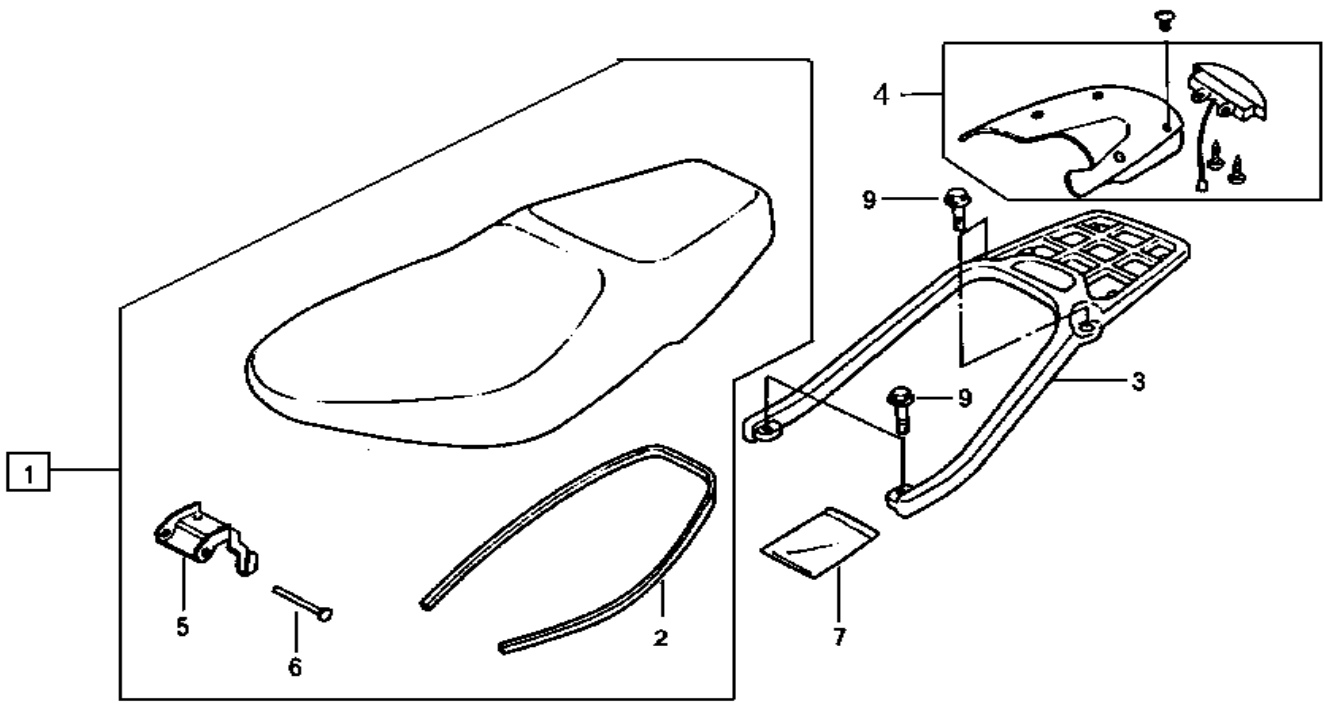




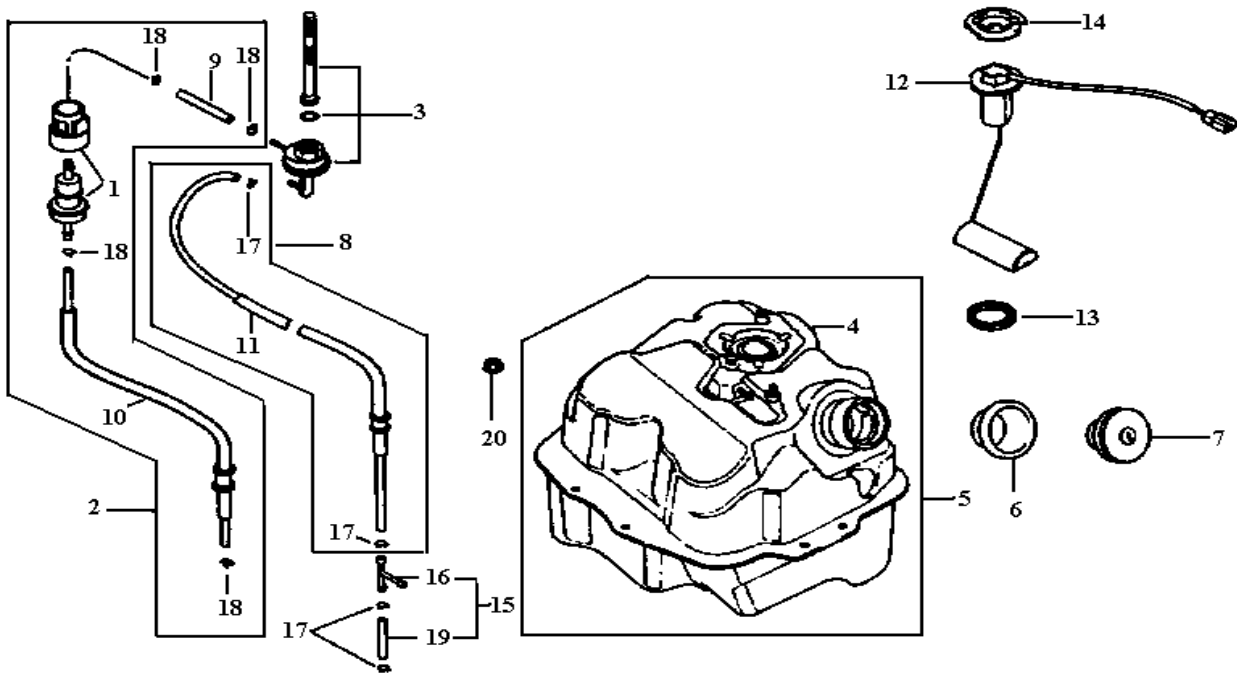
| MODEL(S)                     | CHANGE DATE    | A<br>P<br>P<br>L<br>Y | Q<br>T<br>Y<br>R<br>E<br>Q | PARTS NUMBER               |
|------------------------------|----------------|-----------------------|----------------------------|----------------------------|
| A125Q2-2                     |                |                       |                            |                            |
| DESCRIPTION                  | BLOCK NO. .A-3 |                       |                            |                            |
| 1.FR.axle wheel              |                |                       | 1                          | 44301-H09-000              |
| 2.Collar fr. wheel side      |                |                       | 1                          | 44311-H09-000              |
| 4.Wheel FR.Rim comp          |                |                       | 1                          | 44601-H09-020-GR           |
| 5.FR.axle distance collar    |                |                       | 1                          | 44620-H09-000              |
| 6.Tire                       | #####          |                       | 1                          | 1T0135108-308              |
| 7.Gear box assy              |                |                       | 1                          | 44800-GM9-711              |
| 8.Disk fr. brake             |                |                       | 1                          | 45121-M9Q-000              |
| Disk fr. brake               | Sep./29.2000   | Y                     | 1                          | (Revised)<br>45121-M9Q-003 |
| 9.FR.disk bolt 8x24          |                |                       | 3                          | 90105-KR3-000              |
| 10.Nut u flange 12mm         |                |                       | 1                          | 90306-GW0-901-M1           |
| 11.Dust seal 20x32x5         |                |                       | 1                          | 90754-M9Q-000-M2           |
| 12.Radila ball brg. 6201 U   |                |                       | 2                          | 90912-M9Q-000-M1           |
| 13.Speedometer gear box seal |                |                       | 1                          | 91258-KM1-004              |
| 14.Screw oral 5x18           |                |                       | 1                          | 93700-05018-0A             |



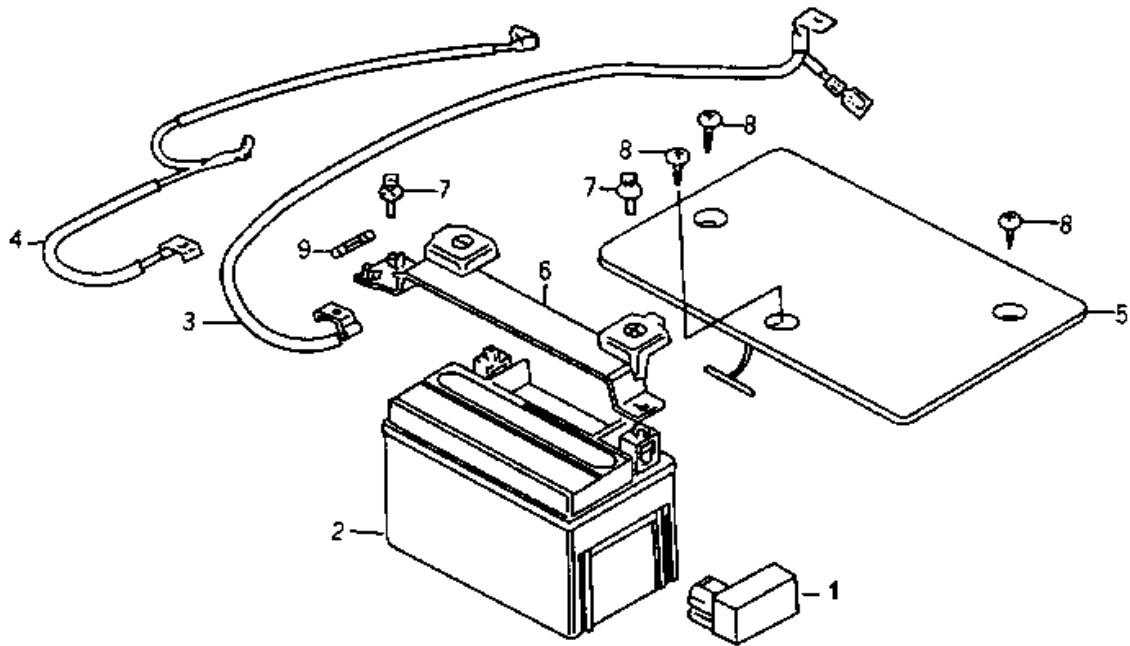
| MODEL(S)                |         | A | Q |                  |
|-------------------------|---------|---|---|------------------|
| A125Q2-2                |         | P | T |                  |
| BLOCK NO. .A-3          | CHANGE  | L | R |                  |
| DESCRIPTION             | DATE    | Y | E | PARTS NUMBER     |
| 2.RR Wheel cast comp    |         |   | 1 | 42601-H09-020-GR |
| 3.Tire                  | #####   |   | 1 | 1T0135108-308    |
| 4.RR.brk. cam           |         |   | 1 | 4314A-V02-000    |
| 5.RR.brk arm comp       |         |   | 1 | 43410-V02-900    |
| 8.RR.brk arm cover assy |         |   | 1 | 43415-GY6-900    |
| 9.RR.brk arm guard      |         |   | 1 | 43416-GY6-900    |
| 10.Spg RR. brk arm      |         |   | 1 | 43472-V02-000    |
| 11.Stopper spg          |         |   | 1 | 43536-MG9-951-M1 |
| 12.Shoe comp fr brk     | 25/6/99 | Y | 2 | 45120-E60-000    |
| 13.Brake shoe spg       |         |   | 2 | 45133-028-000    |
| 14.Flange nut 8mm       |         |   | 4 | 90309-KF0-003    |
| 15.O ring 11.3×1.3      |         |   | 1 | 91352-KG8-831    |
| 16.Brake arm joint B    |         |   | 1 | 95015-32001      |
| 17.Adj nut b            |         |   | 1 | 95015-42000      |
| 18.Flange bolt 6×32     |         |   | 1 | 95701-06032-00   |



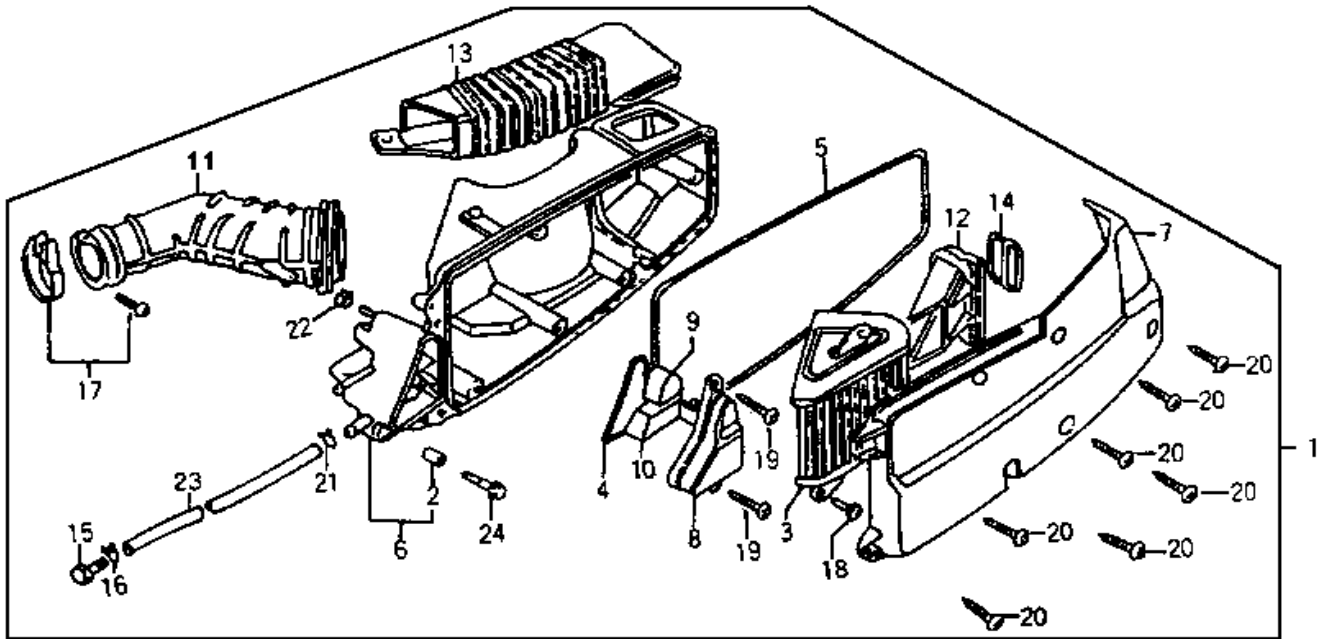
| MODEL(S)                                   | CHANGE DATE    | A<br>P<br>P<br>L<br>Y | Q<br>T<br>Y<br>R<br>E<br>Q | PARTS NUMBER                   |
|--|----------------|-----------------------|----------------------------|--------------------------------|
| A125Q2-2                                   | BLOCK NO. .A-1 |                       |                            |                                |
| 1.Double seat assy                         |                |                       | 1                          | 77100-H12-000                  |
| 3.RR.carrier ( <i>BK-005S</i> )            |                |                       | 1                          | <i>BLACK</i> 8120A-H12-000-KQ  |
| RR.carrier ( <i>P-3850S</i> )              |                |                       | 1                          | <i>PURPLE</i> 8120A-H12-000-LJ |
| RR.carrier ( <i>GN-5310S</i> )             |                |                       | 1                          | <i>GREEN</i> 8120A-H12-000-NU  |
| RR.carrier ( <i>S-880S</i> )               |                |                       | 1                          | <i>SILVER</i> 8120A-H12-000-SQ |
| RR.carrier ( <i>BU-4035S</i> )             |                |                       | 1                          | <i>BLUE</i> 8120A-H12-000-CO * |
| RR.carrier ( <i>BK-0406S</i> )             |                |                       | 1                          | <i>BLACK</i> 8120A-H12-000-KV  |
| RR.carrier ( <i>BU-283S</i> )              |                |                       | 1                          | <i>BLUE</i> 8120A-H12-000-BJ   |
| RR.carrier ( <i>R-1543S</i> )              |                |                       | 1                          | <i>RED</i> 8120A-H12-000-HY    |
| RR.carrier ( <i>BN-1516P</i> )             |                |                       | 1                          | <i>BROWN</i> 8120A-H12-000-AE  |
| 4.RR. Carrier cover set ( <i>BK-005S</i> ) |                |                       | 1                          | <i>BLACK</i> 8120B-H12-000-KQ  |
| RR. Carrier cover set ( <i>P-3850S</i> )   |                |                       | 1                          | <i>PURPLE</i> 8120B-H12-000-LJ |
| RR. Carrier cover set ( <i>GN-5310S</i> )  |                |                       | 1                          | <i>GREEN</i> 8120B-H12-000-NU  |
| RR.Carrier cover set ( <i>S-880S</i> )     |                |                       | 1                          | <i>SILVER</i> 8120B-H12-000-SQ |
| RR. Carrier cover set ( <i>BU-4035S</i> )  |                |                       | 1                          | <i>BLUE</i> 81201-M70-000-CO * |
| RR.Carrier cover set ( <i>BK-0406S</i> )   |                |                       | 1                          | <i>BLACK</i> 81201-M70-000-KV  |
| RR. Carrier cover set ( <i>BU-283S</i> )   |                |                       | 1                          | <i>BLUE</i> 81201-M70-000-BJ   |
| RR.Carrier cover set ( <i>R-1543S</i> )    |                |                       | 1                          | <i>RED</i> 81201-M70-000-HY    |
| RR. Carrier cover set ( <i>BN-1516P</i> )  |                |                       | 1                          | <i>BROWN</i> 81201-M70-000-AE  |
| 9.Flange bolt 6×12                         |                |                       | 4                          | 95701-06012-08                 |



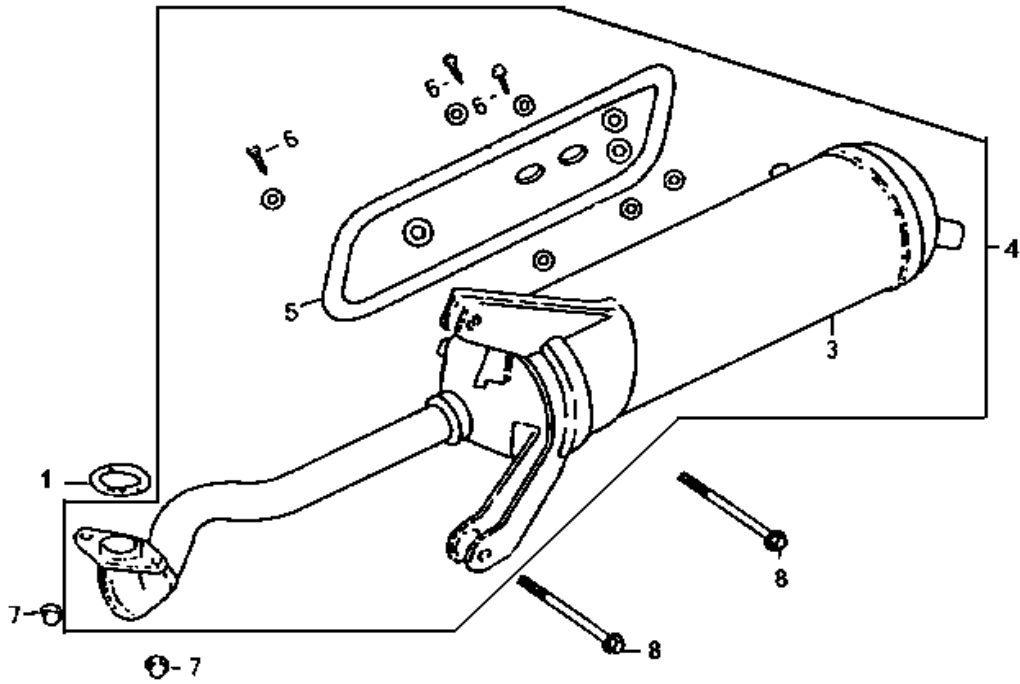
| MODEL(S)               | CHANGE DATE    | APPLY | QTY REQ | PARTS NUMBER   |
|------------------------|----------------|-------|---------|----------------|
| A125Q2-2               |                |       |         |                |
| DESCRIPTION            | BLOCK NO. .A-1 |       |         |                |
| 2.Fuel strainer assy   |                |       | 1       | 1691A-V02-000  |
| 3.Fuel cock assy       |                |       | 1       | 16950-M9Q-000  |
| 4.Fuel tank comp       |                |       | 1       | 17500-M41-000  |
| 6.Fuel tank cap rubber |                |       | 1       | 17509-H12-000  |
| 7.Fuel filler cap comp |                |       | 1       | 17620-H12-000  |
| 8.Vaccum tube assy     |                |       | 1       | 1768A-V02-000  |
| 12.Fuel unit           |                |       | 1       | 37800-H12-010  |
| 13.Base packing        |                |       | 1       | 37801-GA7-700  |
| 14.Ret fuel unit       |                |       | 1       | 37802-GA7-700  |
| 15.3way joint assy     |                |       | 1       | 3877A-V02-000  |
| 17.Tube clip b7        |                |       | 4       | 95002-02070-00 |
| 18.Tube clip b8        |                |       | 4       | 95002-02080    |
| 20.Flange nut 6mm      |                |       | 2       | 94050-06080    |



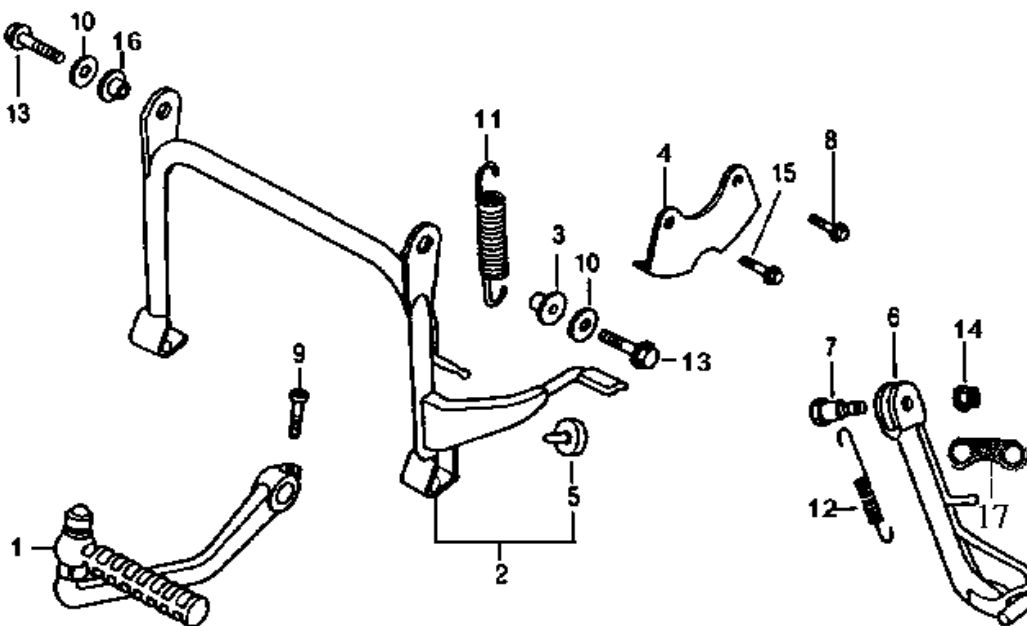
| MODEL(S)<br>A125Q2-2               | CHANGE<br>DATE | A<br>P<br>P<br>L<br>Y | Q<br>T<br>Y<br>R<br>E<br>Q |                  |
|------------------------------------|----------------|-----------------------|----------------------------|------------------|
| BLOCK NO. .A-1<br>DESCRIPTION      |                |                       |                            | PARTS NUMBER     |
| 1.Cdi unit comp                    |                |                       | 1                          | 30410-M70-000    |
| 2.Battery                          |                |                       | 1                          | 1Y01GY601-Y      |
| 3.Cable battery                    |                |                       | 1                          | 32411-M70-000    |
| 4.Cable earth                      |                |                       | 1                          | 32412-GY6-920    |
| 5.Battery cover ( <i>GY-426U</i> ) |                |                       | 1                          | 50326-GY6-900-GK |
| 6.Battery band assy                |                |                       | 1                          | 5032A-V02-000    |
| 7.Washer bolt 5×12                 |                |                       | 2                          | 90302-V02-000    |
| 8.Tapping screw 5×12               |                |                       | 2                          | 93903-25320      |
| 9.Fuse A ( 7A )                    |                |                       | 1                          | 98200-10700      |



| MODEL(S)<br>A125Q2-2             |              | A | Q |                       |
|----------------------------------|--------------|---|---|-----------------------|
| BLOCK NO. .A-2                   | CHANGE DATE  | P | T |                       |
| DESCRIPTION                      |              | P | Y | PARTS NUMBER          |
| 1.Air/c assy                     |              |   | 1 | 1720A-M70-000         |
| 2.Collar air/c set               |              |   | 2 | 17208-GR1-010         |
| 3.Air/c element comp             |              |   | 1 | 17211-GY6-920         |
| 9.Filter breather                |              |   | 1 | 17234-GY6-900         |
| 10.Filter oil catch              |              |   | 1 | 17235-GY6-902         |
| 11.Air/c conn tube               |              |   | 1 | 17253-GY6-900         |
| 12.Duct air/c inlet              |              |   | 1 | 17255-GY6-900         |
| 13.Air/c case duct               |              |   | 1 | 17257-GY6-900         |
| 15.Plug breather tube            |              |   | 1 | 17370-419-700         |
| 16.Breather tube clip            |              |   | 1 | 17371-174-670         |
| 17.Band 48 air/c connecting tube |              |   | 1 | 90652-GY6-900         |
| 18.Screw washer 5×10             |              |   | 2 | 93891-05010-00        |
| 19.Tapping screw 4×12            |              |   | 2 | 93903-24380           |
| 20.Tapping screw 5×20            |              |   | 7 | 93903-25480           |
| 22.Clip D10.5 tube               |              |   | 1 | 95002-41050-04        |
| 24.Flange bolt 6×25              | Aug./20.2001 | Y | 2 | 90114-V02-000         |
|                                  |              |   |   | <b>95701-06025-07</b> |

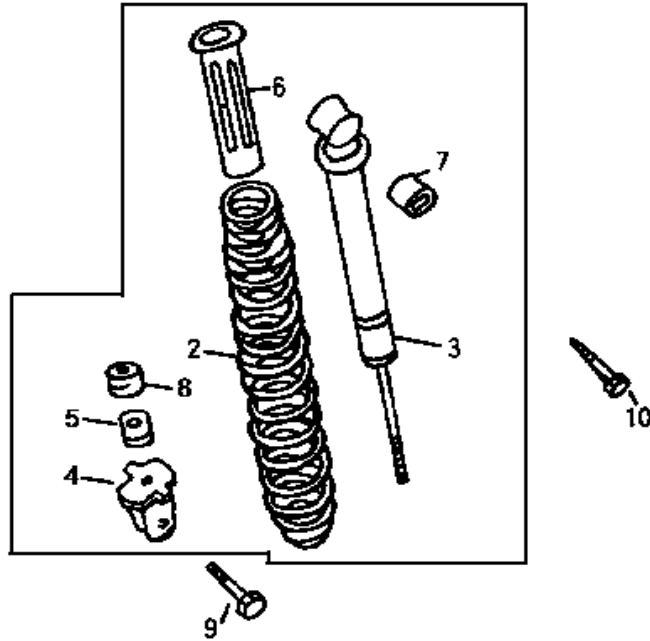


| MODEL(S)<br>A125Q2-2              |                | A<br>P<br>P<br>L<br>Y | Q<br>T<br>Y<br>R<br>E<br>Q |               |
|-----------------------------------|----------------|-----------------------|----------------------------|---------------|
| BLOCK NO. .A-2<br><br>DESCRIPTION | CHANGE<br>DATE |                       |                            | PARTS NUMBER  |
| 1.Ex pipe gasket                  |                |                       | 1                          | 18291-M70-010 |
|                                   | Jun./16.2000   | Y                     | 1                          | 18292-GY1-610 |
| 4.Exh muffler assy                |                |                       | 1                          | 18000-M70-000 |
| 5.Muffler protector               |                |                       | 1                          | 18318-V02-800 |
| 6.Washer screw 6×10               |                |                       | 3                          | 90136-MC7-000 |
| 7.Cap nut ( hex ) 6M              |                |                       | 2                          | 90301-GY6-900 |



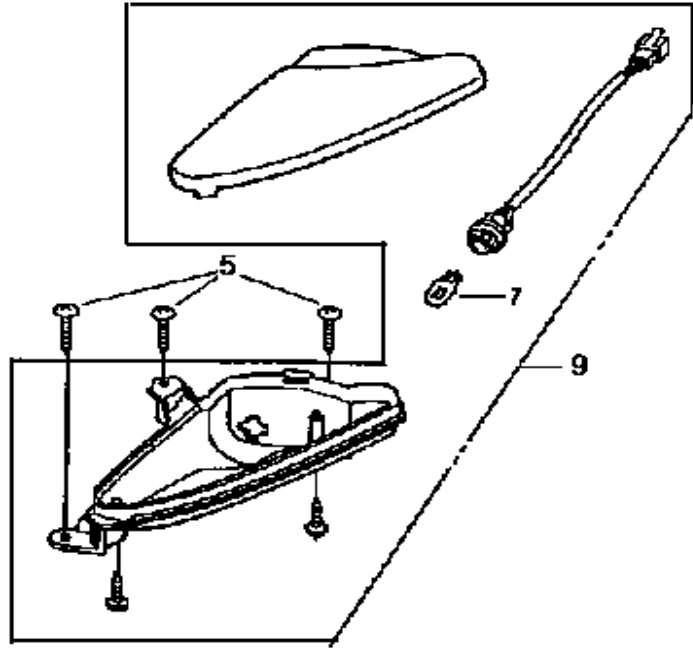
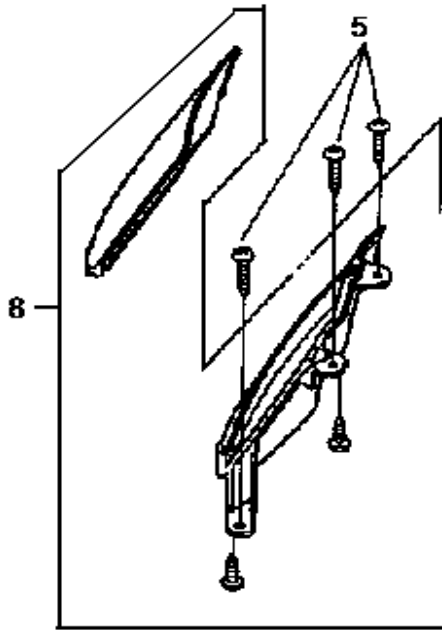
| MODEL(S)<br>A125Q2-2              |                | A<br>P<br>P<br>L<br>Y | Q<br>T<br>Y<br>R<br>E<br>Q |                      |
|-----------------------------------|----------------|-----------------------|----------------------------|----------------------|
| BLOCK NO. .A-3<br><br>DESCRIPTION | CHANGE<br>DATE | Y                     |                            | PARTS NUMBER         |
| 1.Kick starter arm assy           |                |                       | 1                          | 28300-GY6-900        |
| 2.Main stand ASSY.                |                |                       | 1                          | 5050A-H12-900        |
|                                   | Mar./29.2001   | Y                     | 1                          | <b>5050A-H12-902</b> |
| 3.Main stand stopper collar       |                |                       | 2                          | 50502-GY6-900        |
| 4.Main stand stopper stay         |                |                       | 1                          | 50504-M62-000        |
| 5.Stand stopper bubber            |                |                       | 1                          | 50505-GY6-920        |
| 6.Side stand comp                 |                |                       | 1                          | 50530-M70-000        |
| 7.Side stand screw                |                |                       | 1                          | 90108-G03-000        |
| 8.Flange bolt 6×50                |                |                       | 1                          | 96001-06050-00       |
| 9.Hex bolt 6×22                   |                |                       | 1                          | 92201-06022-0G       |
| 10.Plain washer 10mm              |                |                       | 2                          | 94101-10700          |
| 11.Main stand spring              |                |                       | 1                          | 95014-71402          |
| 12.Side stand spring              |                |                       | 1                          | 95014-72204          |
| 14.Nut u glange 8mm               |                |                       | 1                          | 90309-KF0-003        |
| 15.Flange bolt 6×12               |                |                       | 1                          | 96001-06012-00       |
| 16.Main stand collar              |                |                       | 1                          | 50503-GY6-900        |
| 17.Spring plate hook              | #####          |                       | 1                          | 50542-M70-000        |



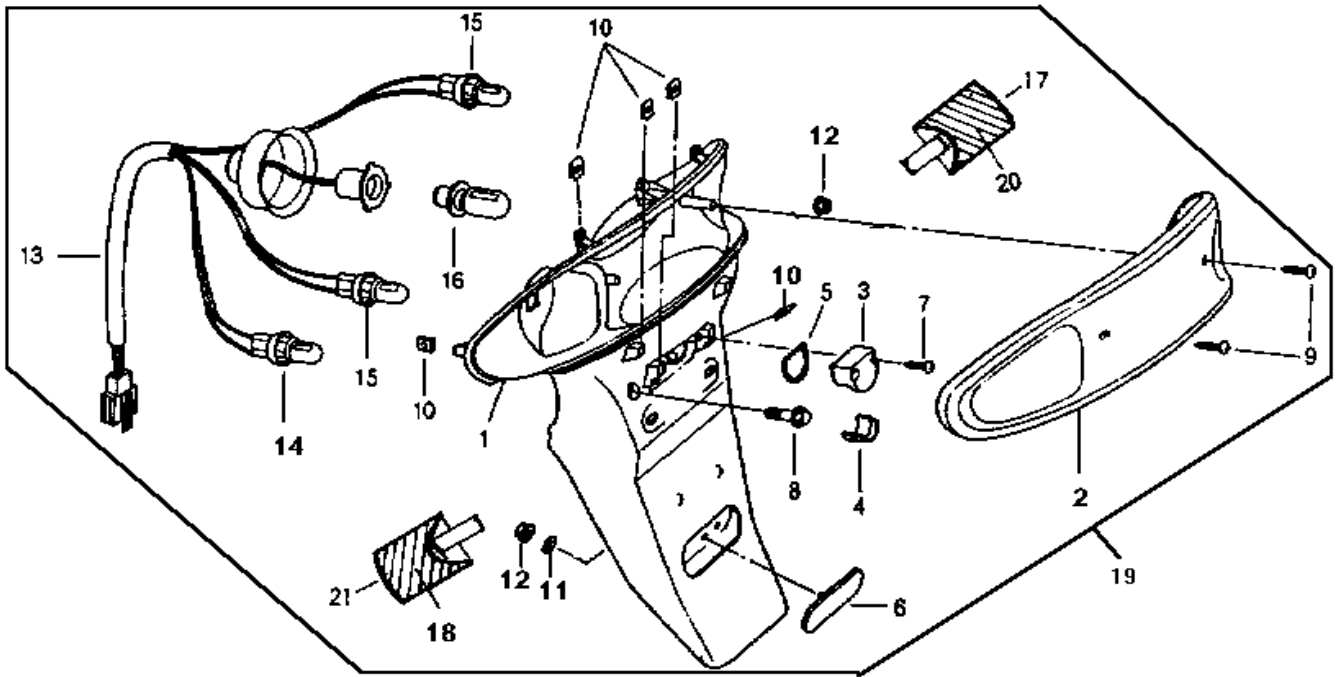


| MODEL(S)<br>A125Q2-2              |                | A<br>P<br>P<br>L<br>Y | Q<br>T<br>Y<br>R<br>E<br>Q |                |
|-----------------------------------|----------------|-----------------------|----------------------------|----------------|
| BLOCK NO. .A-1<br><br>DESCRIPTION | CHANGE<br>DATE |                       |                            | PARTS NUMBER   |
| 1.RR. cushion assy                |                |                       | 1                          | 52400-M70-000  |
| 9.Hex bolt 8×38                   |                |                       | 1                          | 93201-08032-0A |
| 10.Flange bolt 10×35              |                |                       | 1                          | 95801-10035-08 |

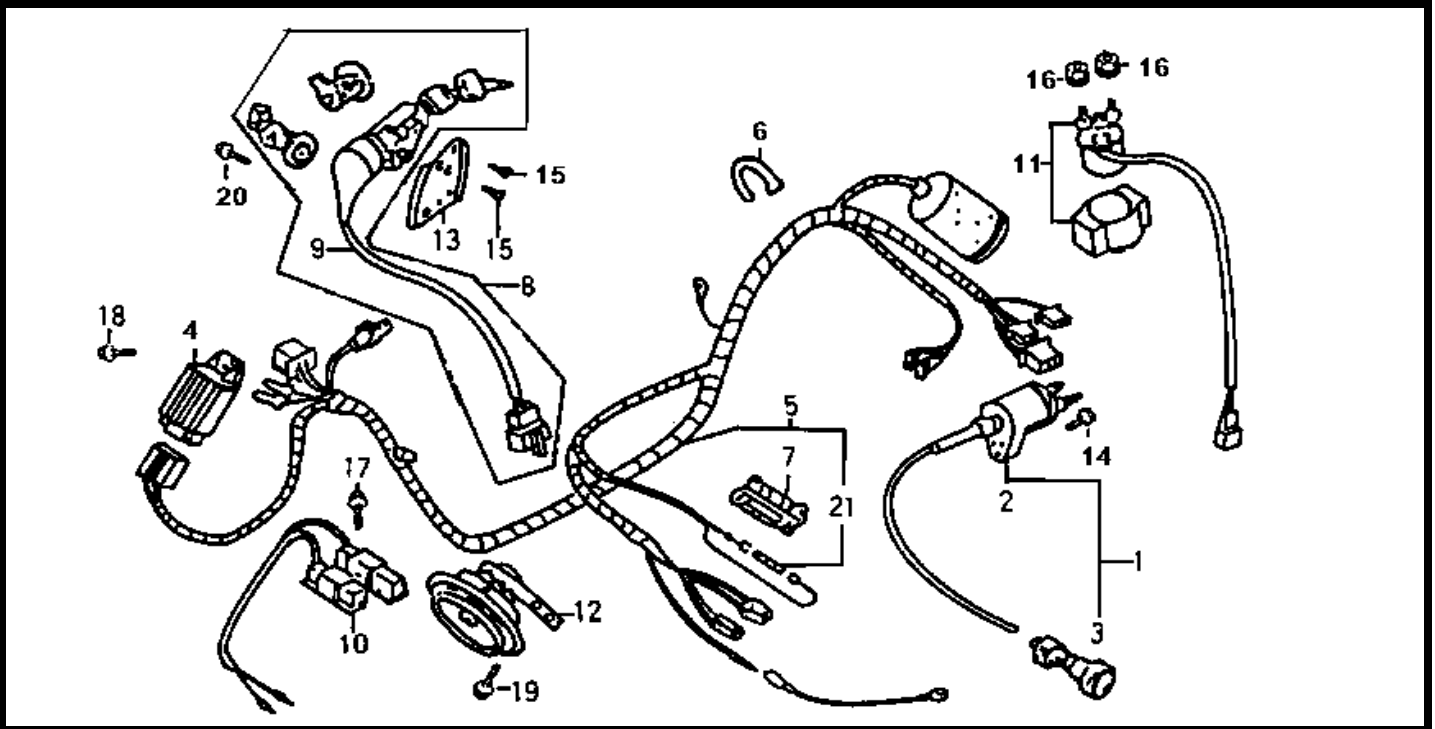




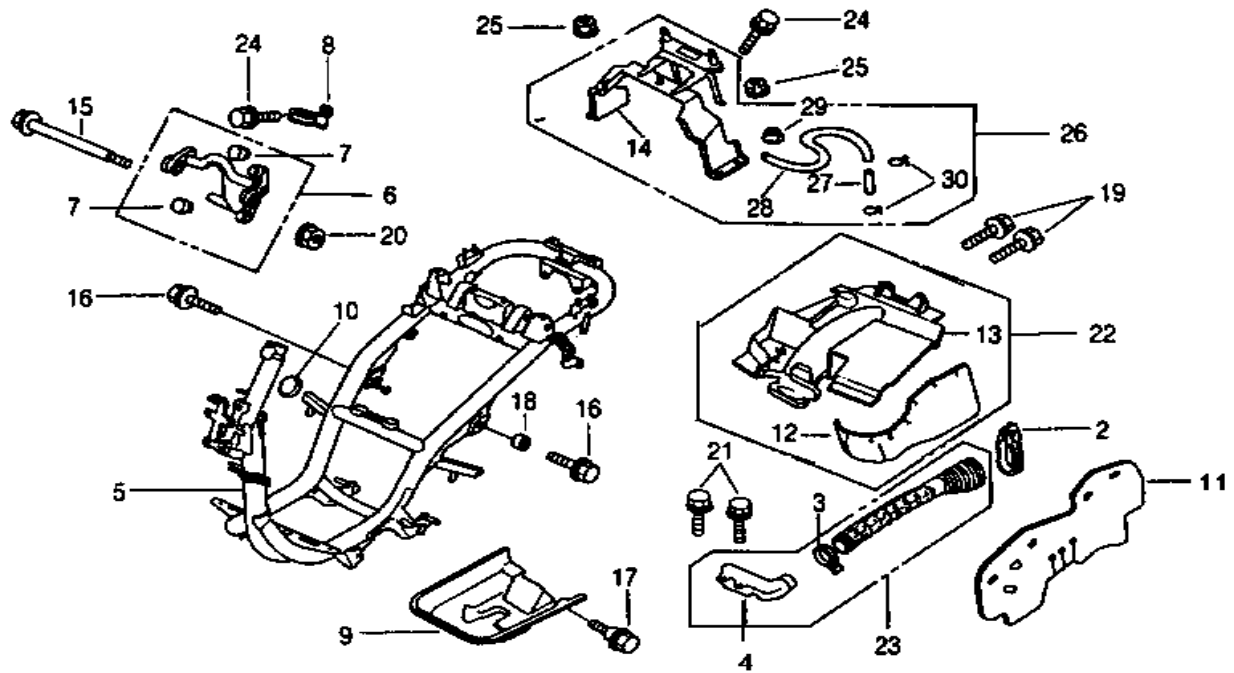
| MODEL(S)<br>A125Q2-2  |                | A<br>P<br>P<br>L<br>Y | Q<br>T<br>Y<br>R<br>E<br>Q |  |
|---|----------------|-----------------------|----------------------------|--|
| BLOCK NO. .A-1<br><br>DESCRIPTION   | CHANGE<br>DATE |                       |                            | PARTS NUMBER   |
| 5.Tapping screw 4×12<br>7.Bulb position lamp ( 12V/3.4W )<br>8.Rh.position lens assy<br>9.Lh.position lens assy |                |                       | 6<br>2<br>1<br>1           | 93903-24320<br>34903-GY6-631<br>33140-M70-000<br>33240-M70-000 |



| MODEL(S)<br>A125Q2-2            | CHANGE<br>DATE | A<br>P<br>P<br>L<br>Y | Q<br>T<br>Y<br>R<br>E<br>Q |                |
|---------------------------------|----------------|-----------------------|----------------------------|----------------|
| BLOCK NO. .A-1<br>DESCRIPTION   |                |                       |                            | PARTS NUMBER   |
| 2.Tail light lens comp          |                |                       | 1                          | 33702-M70-000  |
| 6.Reflex feflector              |                |                       | 1                          | 33741-P1A-000  |
| 8.Flange bolt 6mm               |                |                       | 2                          | 90111-162-000B |
| 12.Flange nut 6mm               |                |                       | 1                          | 94050-06080    |
| 14.Bulb,winker ( 12V-10W )      |                |                       | 1                          | 34905-GM9-003  |
| 15.Bulb,wedge base ( 12V-3.4W ) |                |                       | 1                          | 34908-GA7-701  |
| 16.Bulb,tail light ( 12V-5W )   |                |                       | 1                          | 34906-268-600  |
| 17.RR.R.winker assy             |                |                       | 1                          | 33600-M70-000  |
| 18.RR.L.winker assy             |                |                       | 1                          | 33650-M70-000  |
| 19.RR.comb.light assy           |                |                       | 1                          | 33700-M70-010  |
| 20.RR.R.winker lens ( E-mark )  |                |                       | 1                          | 33602-M70-000  |
| 21.RR.L.winker lens ( E-mark )  |                |                       | 1                          | 33652-M70-000  |

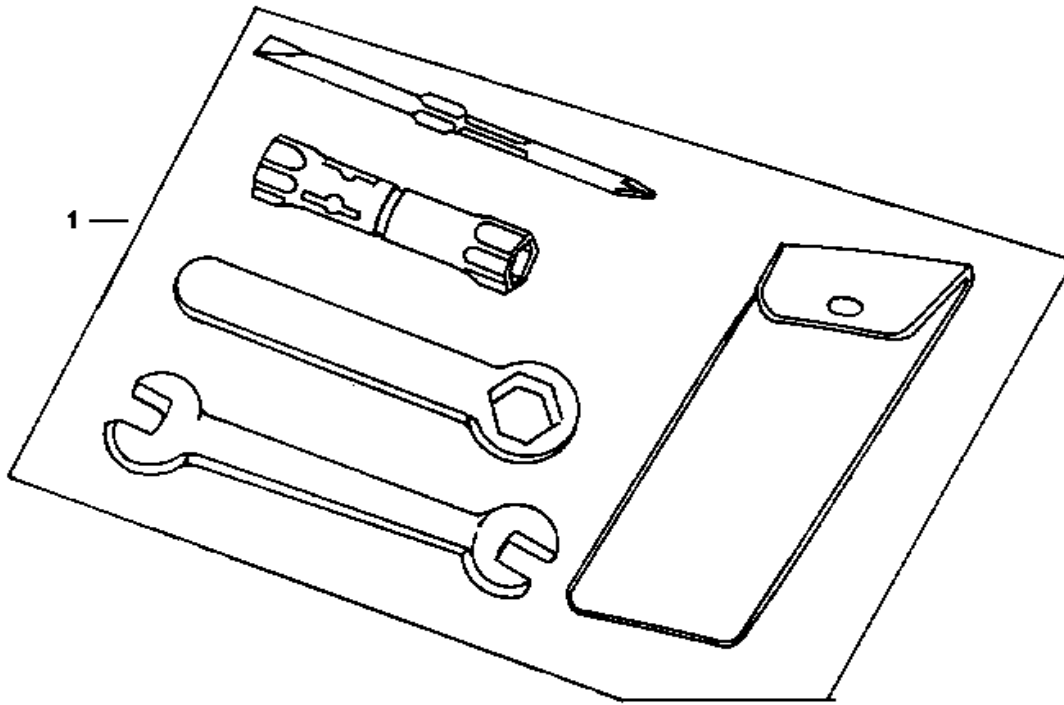


| MODEL(S)<br>A125Q2-2          |                | A<br>P<br>P<br>L<br>Y | Q<br>T<br>Y<br>R<br>E<br>Q |                |
|-------------------------------|----------------|-----------------------|----------------------------|----------------|
| BLOCK NO. .A-3<br>DESCRIPTION | CHANGE<br>DATE |                       |                            | PARTS NUMBER   |
| 2.Ign.coil comp               |                |                       | 1                          | 30510-GY6-900  |
| 3.Cap assy noise suppresor    |                |                       | 1                          | 30700-GY6-000  |
| 4.REG.REC.comp.               |                |                       | 1                          | 31600-KBN-920  |
| 5.Harness wire                |                |                       | 1                          | 32100-M62-000  |
| 8.Key set                     |                |                       | 1                          | 35010-M70-010  |
| 9.SW.assy comb. & lock        |                |                       | 1                          | 35100-H12-000  |
| 10.Resistor comp              |                |                       | 1                          | 35400-H08-000  |
| 11.Set start mag              |                |                       | 1                          | 35850-M70-000  |
| 12.Horn comp                  |                |                       | 1                          | 38110-T54-000  |
| 13.Plate handle lock          |                |                       | 1                          | 53129-H12-000  |
| 14.Bolt hex 5×20              |                |                       | 1                          | 92101-05020-0A |
| 15.Screw plat U nut           |                |                       | 2                          | 90164-028-000  |
| 16.Flange nut 6mm             |                |                       | 2                          | 94050-06080    |
| 17.Flange bolt 6×12           |                |                       | 2                          | 95701-06012-00 |
| 18.Flange bolt 6×16           |                |                       | 2                          | 95701-06016-00 |
| 19.Flange bolt 6×12           |                |                       | 1                          | 95701-08012-00 |
| 20.Flange bolt 6×16           |                |                       | 2                          | 95701-08016-00 |
| 21.Fuse A ( 7A )              |                |                       | 1                          | 98200-10700    |



| MODEL(S)                 |             | A | Q |                      |
|--------------------------|-------------|---|---|----------------------|
| A125Q2-2                 |             | P | T |                      |
| BLOCK NO. .A-2           | CHANGE      | P | Y |                      |
|                          | DATE        | L | R |                      |
| DESCRIPTION              |             | Y | E |                      |
|                          |             |   | Q | PARTS NUMBER         |
| 2.L cover duct band      |             |   | 1 | 11346-M9Q-000        |
| 4.Air/c chamber          |             |   | 1 | 19400-GY6-000        |
| 5.Frame body comp.       |             |   | 1 | 50100-M70-011        |
|                          | Jan./2.2002 | N | 1 | <b>50100-M70-800</b> |
| 6.Eng.hanger assy        |             |   | 1 | 5035A-M70-000        |
| 9.Under cover            |             |   | 1 | 50613-M9Q-000        |
| 10.Pipe end cap          |             |   | 1 | 64307-M9Q-800        |
| 11.Splash board plate    |             |   | 1 | 80102-M9Q-000        |
| 14.Luggage box brkt      |             |   | 1 | 81270-H12-010        |
| 15.Flange bolt 10×184    |             |   | 1 | 90105-GY6-900        |
| 16.Flange bolt 10×35     |             |   | 2 | 90106-GY6-900        |
| 17.Flange bolt 6mm       |             |   | 4 | 90111-162-000B       |
| 18.Collab distance       |             |   | 1 | 90121-GY6-900        |
| 19.Flange bolt 6×12      |             |   | 2 | 95701-06012-08       |
| 20.Nut u Flange 10mm     |             |   | 1 | 90304-GW0-901-M1     |
| 21.Tapping screw 5×16    |             |   | 2 | 93903-25320          |
| 22.RR.inner fender assy  |             |   | 1 | 8010A-H12-000        |
| 23.Air chamber assy      |             |   | 1 | 1940A-V02-000        |
| 24.Flange bolt 6×12      |             |   | 3 | 95701-06012-08       |
| 25.Flange nut 6mm        |             |   | 4 | 94050-06080          |
| 26.Luggage box brkt assy |             |   | 1 | 8127A-H12-000        |
| 28.Breather pipe comp.   |             |   | 1 | 17550-H12-010        |
| 29.Flange nut 5mm        |             |   | 1 | 94050-05080          |
| 30.Tube clip B8          |             |   | 2 | 95002-02080          |





| MODEL(S)<br>A125Q2-2              |                | A<br>P<br>P<br>L<br>Y | Q<br>T<br>Y<br>R<br>E<br>Q |               |
|-----------------------------------|----------------|-----------------------|----------------------------|---------------|
| BLOCK NO. .A-1<br><br>DESCRIPTION | CHANGE<br>DATE |                       |                            | PARTS NUMBER  |
| 1.Tool set                        |                |                       | 1                          | 89010-GY6-900 |