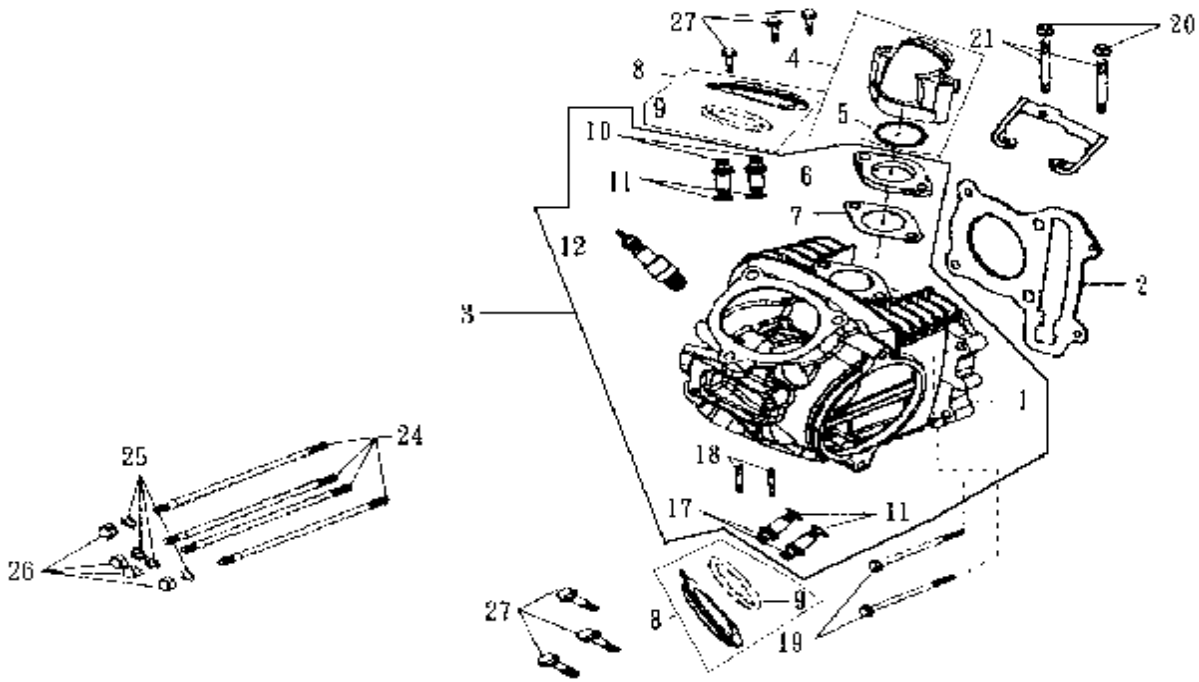


MODEL(S) HS15W-6(SHARK 150)		CHANGE DATE	A P P L Y	Q T Y R E Q	DESCRIPTION
BLOCK NO .A-1					
PARTS NUMBER					
1. 11384-H2N-000				1	Breather tube clammer
2. 11385-H3A-000				1	Carb. Drain tube clammer
3. 1961A-H6B-000				1	Fan cover assy
4. 1962A-H6B-000				1	Shroud A
5. 19632-V02-000				1	Hightension cord clip
6. 1963A-H3A-000				1	Shroud B
7. 32161-H6B-000				1	Harness wire clip
8. 70529-M9Q-000				1	Side panel grommet B
9. 93904-35280				2	Tapping screw 5x12
10. 93904-35380				6	Tapping screw 5x16
11. 96001-06025-00				1	SH flange bolt 6x25
12. 96001-06025-08				3	SH flange bolt 6x25



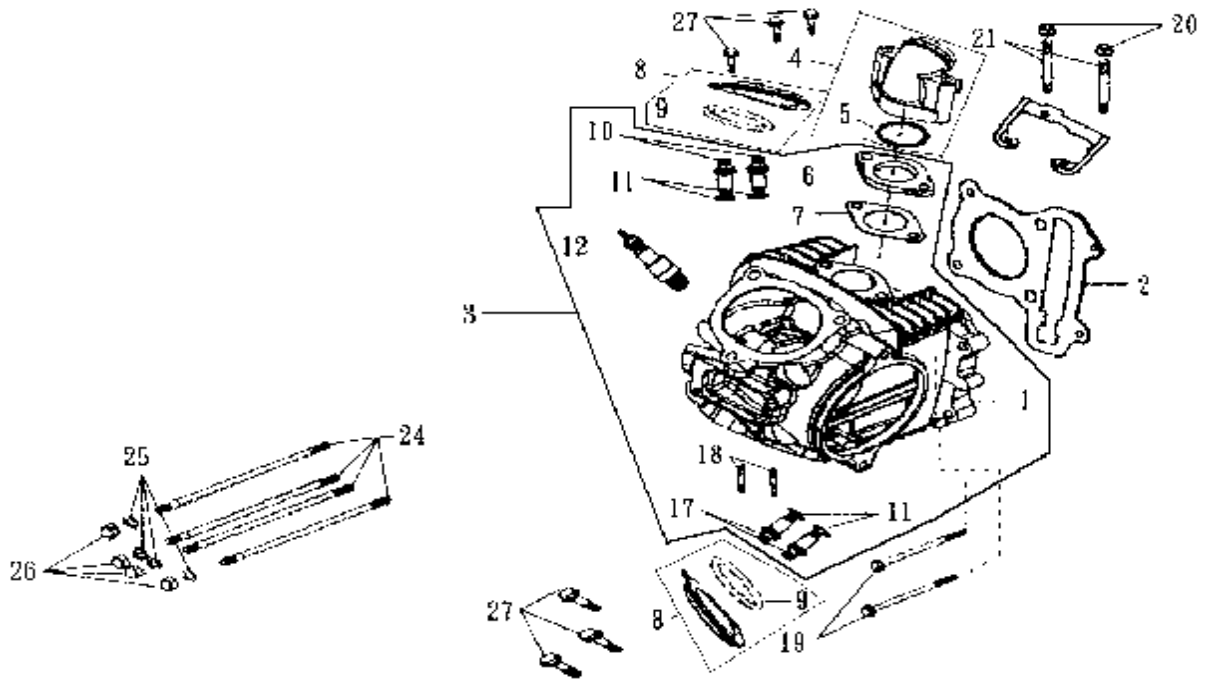
E02 CYLINDER HEAD



MODEL(S)	CHANGE DATE	A P P L Y	Q T Y R E Q	DESCRIPTION
HS15W-6(SHARK 150)				
BLOCK NO .A-4				
PARTS NUMBER				
1. 12200-H5A-000			1	Cylinder head comp
2. 12251-H7A-000			1	Cylinder head gasket
3. 1220A-H5A-000			1	Cylinder head assy
4. 1711A-H6B-900			1	Inlet pipe assy
5. 91308-M9Q-000			1	O-Ring 27x2.0
6. 16211-M92-000			1	Carb. Insulator
7. 16201-M92-000			1	Carb. Insulator gasket
8. 1236A-H6B-000			2	Tappet adj. Hole cap assy
9. 91302-H6B-900			2	Tappet adj. Hole cap seal
10. 12237-H6B-300			2	In valve guide
11. 91305-M9Q-000			4	O-Ring 9x1.6
12. 1PC7E			1	Spark plug (C7E)
17. 12245-H6B-300			2	Exh. Valve guide
18. 90032-M92-300			2	Special stud bolt 32mm
19. 96001-06095-08			2	SH. Flange bolt 6x95



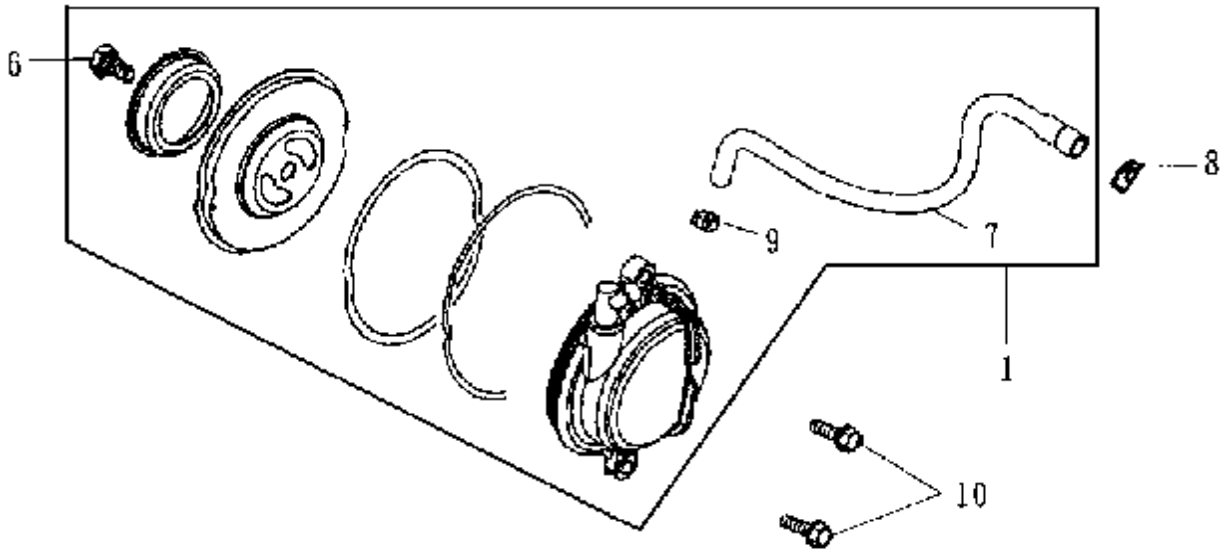
TEAMWORLD IND. 2003



MODEL(S) HS15W-6(SHARK 150)		A P P L Y	Q T Y R E Q	
BLOCK NO .A-1 PARTS NUMBER	CHANGE DATE			DESCRIPTION
20. 94050-06000			2	Flange nut
21. 90033-M92-000			2	Stud bolt 6x55
24. 90031-107-010			4	Cylinder stud bolt
25. 90442-028-000			4	Sealing washer 8mm
26. 90443-107-000			4	Cap nut 8mm
27. 96001-06016-08			6	SH. Flange bolt 6x16

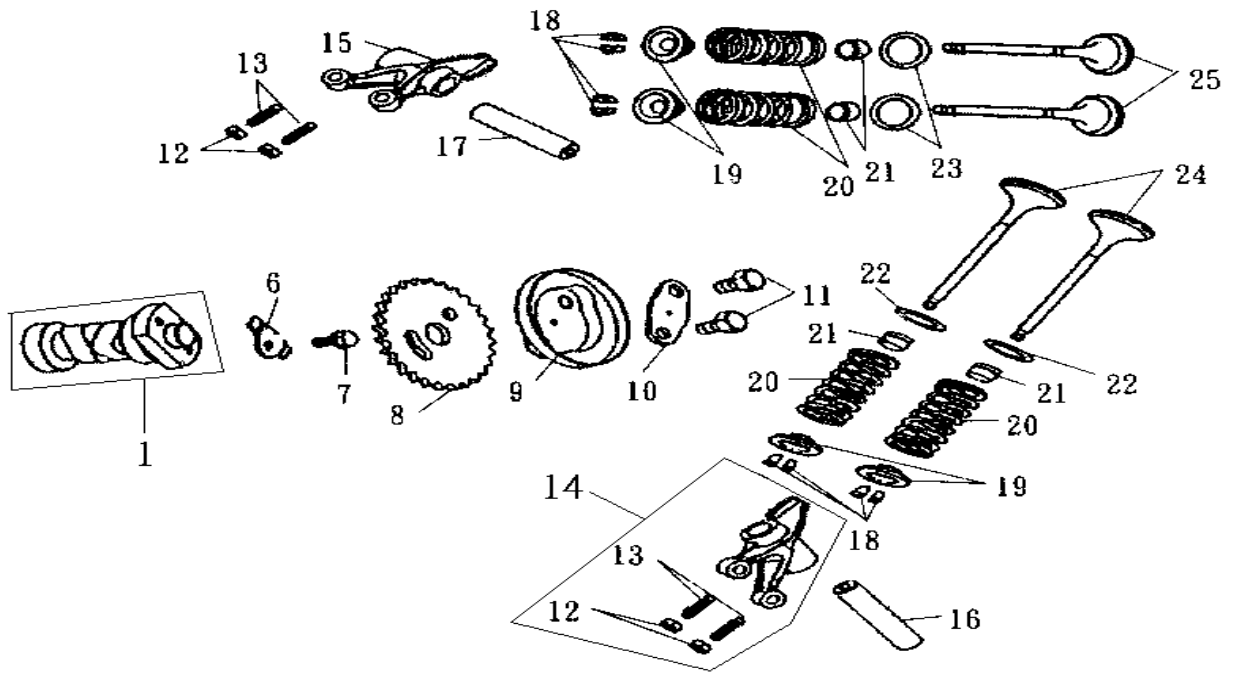


E03 CYLINDER HEAD L. COVER



MODEL(S) HS15W-6(SHARK 150)		A P P L Y	Q T Y R E Q	
BLOCK NO .A-1 PARTS NUMBER	CHANGE DATE			DESCRIPTION
1. 12300-H6B-000			1	Cylinder head L side cover
6. 96001-06010-00			1	SH. Flange bolt 6x10
7. 11221-H3A-000			1	Breather tube
8. 90682-V02-900			1	Tube clamping D11.5
9. 95002-40850-08			1	Tube clip D 8.5
10. 95701-06020-00			2	Flange bolt 6x20

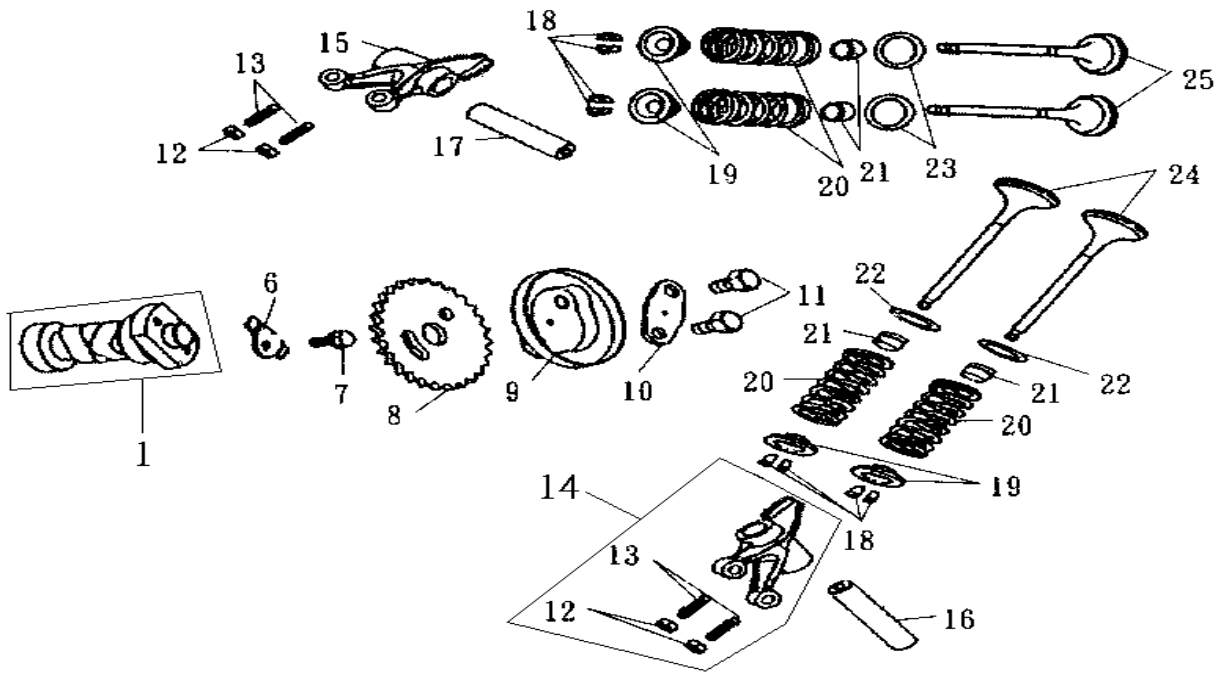




MODEL(S) HS15W-6(SHARK 150)	CHANGE DATE	A P P L Y	Q T Y R E Q	
BLOCK NO .A-2 PARTS NUMBER				DESCRIPTION
1. 14100-H7A-000			1	Cam shaft comp
6. 14457-H7A-000			1	Cam shaft setting plate
7. 96001-06010-00			1	SH. Flange bolt 6x10
8. 14105-A31-000			1	Cam sprocket
9. 14108-M36-000			1	Centrifugal disk
10. 14105-A31-000			1	Cam sprocket washer
11. 90083-X01-000			2	Lock nut 6mm
12. 90206-M9Q-000			4	Tappet adj. Screw nut
13. 90012-M9Q-000			4	Tappet adj. Screw
14. 14441-H7A-000-F2			1	EXH. Valve rocker arm
15. 14431-H7A-000-F2			1	IN. Valve rocker arm
16. 14452-H6B-000			1	EXH. Valve rocker arm shaft
17. 14451-H6B-000			1	IN. Valve rocker arm shaft
18. 14781-M9Q-000-A			2	Valve cotter
19. 14771-H6B-000			4	Valve spring retainer
20. 14751-H6B-000			4	Valve spring
21. 12209-MA6-003			4	Valve stem seal



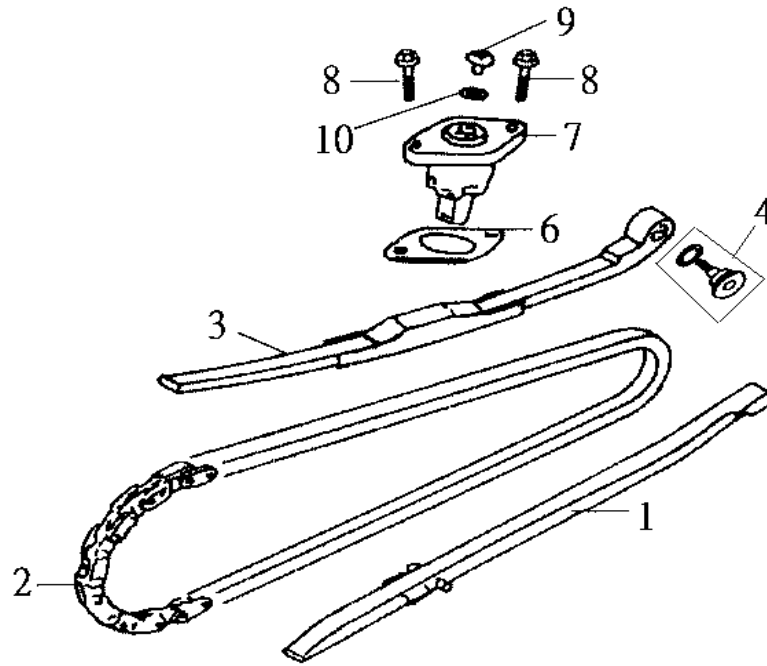
E04-1 CAM SHAFT .VALVE



MODEL(S) HS15W-6(SHARK 150)		A P P L Y	Q T Y R E Q	
BLOCK NO .A-1 PARTS NUMBER	CHANGE DATE			DESCRIPTION
22. 12203-H6B-300 23. 12202-H6B-300 24. 14721-H6B-000 25. 14711-H6B-000			2 2 2 2	EXH. Valve seat IN. valve seat EXH. Valve IN. valve



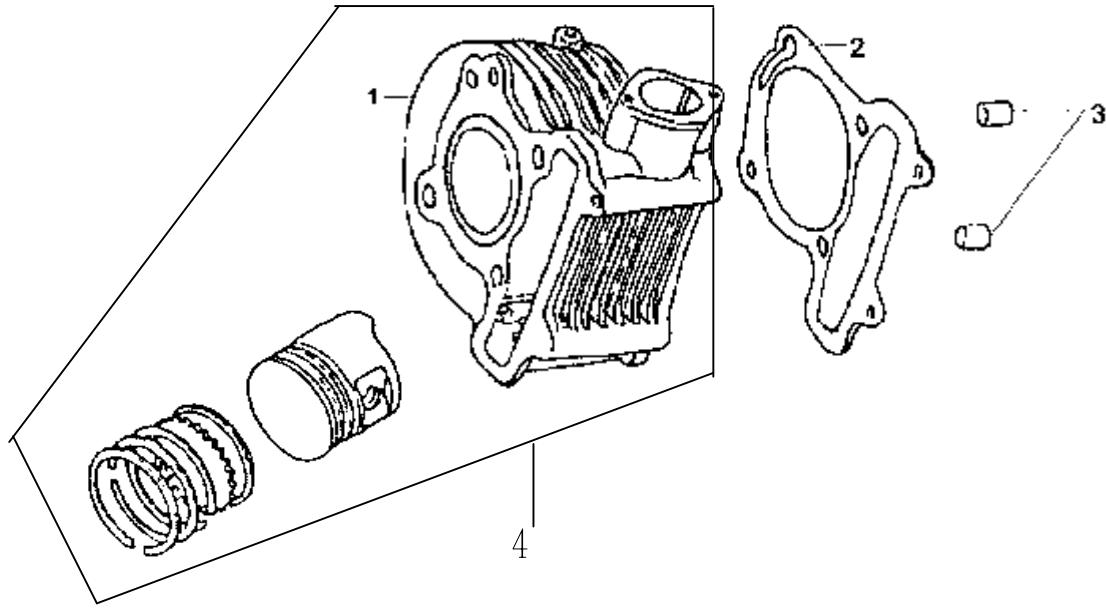
TEAMWORLD IND. 2003



MODEL(S) HS15W-6(SHARK 150)		A P P L Y	Q T Y R E Q	
BLOCK NO .A-1 PARTS NUMBER	CHANGE DATE			DESCRIPTION
1. 14610-M92-000			1	Cam chain guide comp
2. 1C14401-M92-000			1	Cam chain
3. 14510-M92-000			1	Cam chain tensioner
4. 1453A-M92-000			1	Cam chain tensioner pivot
6. 14523-M9Q-000			1	Tensioner lifter gasket
7. 14520-M9Q-000			1	Tensioner lifter assy
8. 90001-M9Q-000			2	SH. Flange bolt 6x22
9. 90005-M9Q-000			1	Pan screw 6x6
10. 91306-M9Q-000			1	O-Ring 9.5x1.5

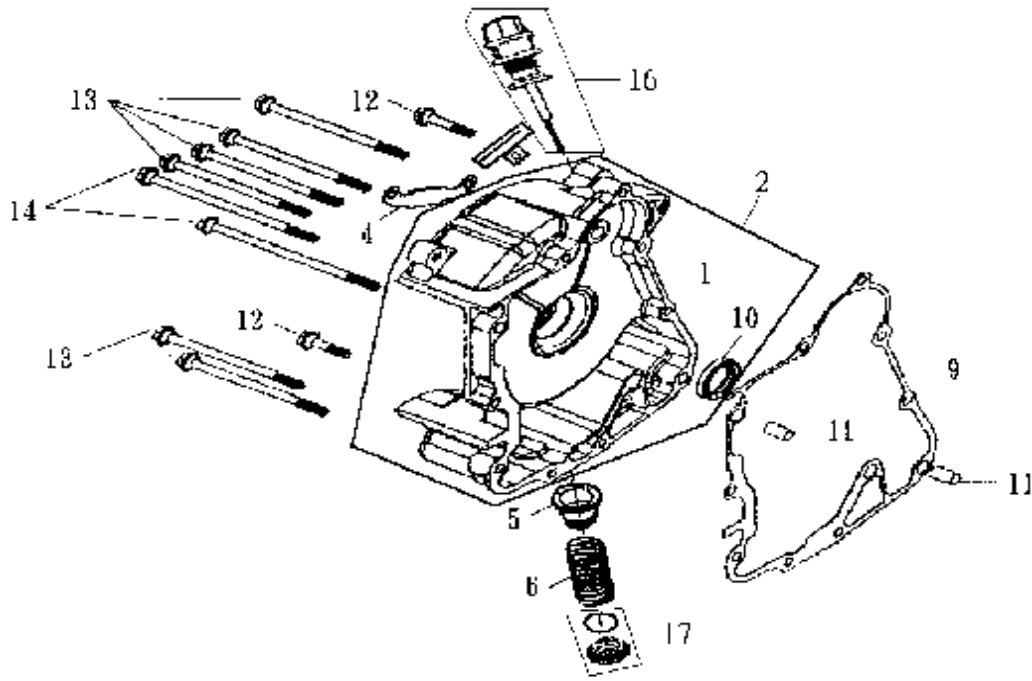


E06 CYLINDER



MODEL(S) HS15W-6(SHARK 150)		A	Q	
BLOCK NO .A-1	CHANGE DATE	P	T	
PARTS NUMBER		L	R	DESCRIPTION
		Y	E	
1. 12101-H7C-000			1	Cylinder
2. 12191-H6B-000			1	Cylinder gasket
3. 94301-10200			2	Dowel pin 10x20
4. 12100-H7C-000-A			1	Cylinder assy

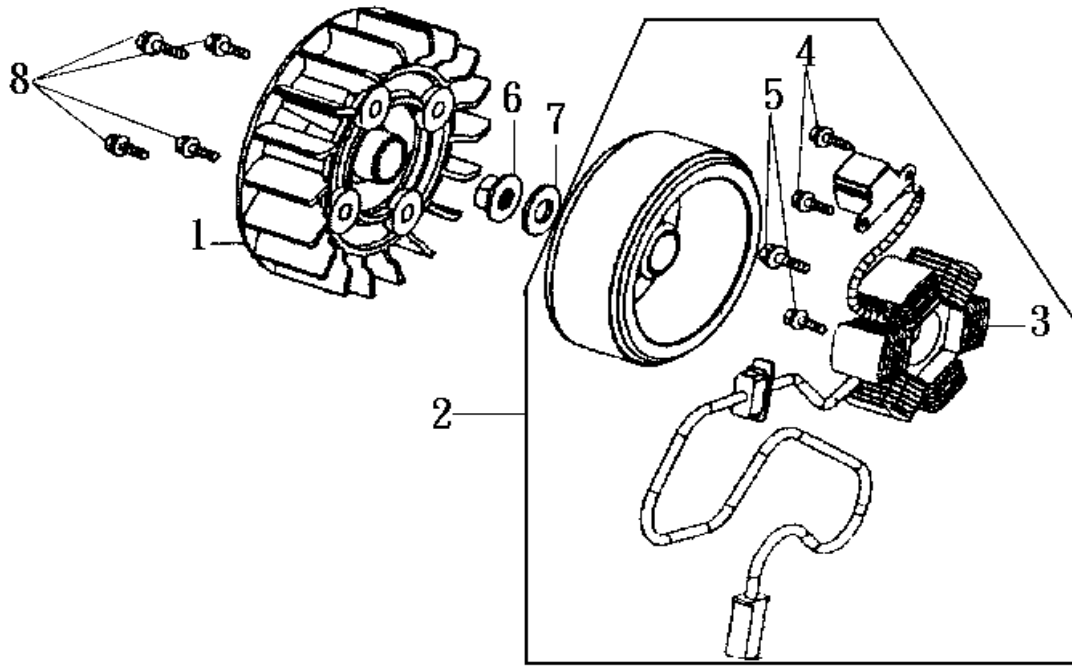




MODEL(S) HS15W-6(SHARK 150)	CHANGE DATE	A P P L Y	Q T Y R E Q	DESCRIPTION
BLOCK NO .A-1				
1. 11331-H6B-000-SN 2. 1133A-H3A-000-SN 4. 32961-M92-000 5. 15421-M9Q-000 6. 15426-M9Q-000 9. 11394-H6B-000 10. 91201-GY6-903-M2 11. 94301-08140 12. 96001-06030-08 13. 96001-06095-08 14. 96001-06100-08 16. 1565A-M92-000 17. 1236A-V02-000			1 1 1 1 1 1 1 2 2 6 2 1 1	R. crank case cover R. crank case cover assy ACG. Cord clamer Oil filter screen Oil filter screen spring R. cover gasket Oil seal 19.8x30.5 Dowel pin 8x14 SH. Flange bolt 6x30 SH. Flange bolt 6x95 SH. Flange bolt 6x100 Oil level gauge Tappet adj hole cap assy



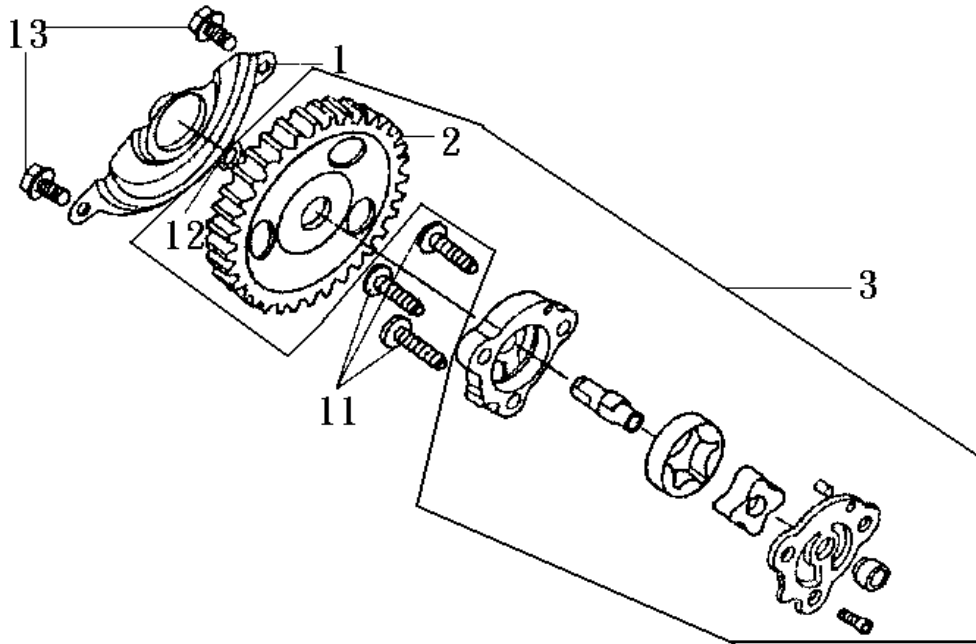
E08 AC. GENERATOR



MODEL(S) HS15W-6(SHARK 150)		A P P L Y	Q T Y R E Q	
BLOCK NO .A-1	CHANGE DATE			
PARTS NUMBER				DESCRIPTION
1. 19510-M92-000			1	Cooling fan comp
2. 31100-H3A-010			1	Fly wheel assy
3. 31120-H3A-010			1	Stator comp
4. 92101-05012-0A			2	Hex. Bolt 5x12
5. 96001-06018-08			2	SH. Flange bolt 6x18
6. 94050-12000			1	Flange nut 12mm
7. 90440-M9Q-000			1	Plain washer 12mm
8. 95701-06018-08			4	Flange bolt 6x18



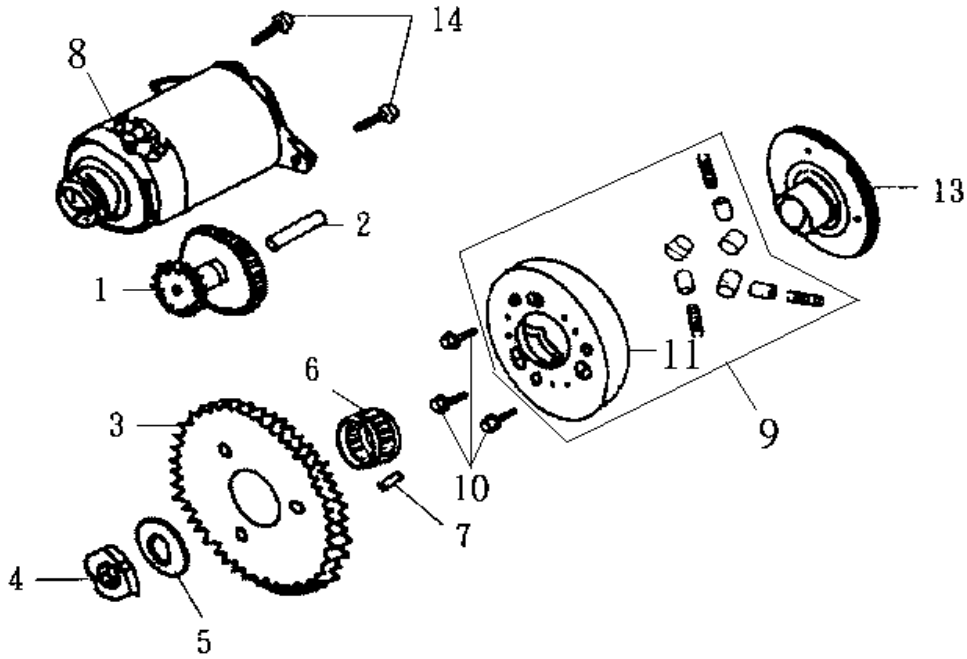
TEAMWORLD IND. 2003



MODEL(S) HS15W-6(SHARK 150)	CHANGE DATE	A P P L Y	Q T Y R E Q	
BLOCK NO .A-1 PARTS NUMBER				DESCRIPTION
1. 15711-M92-000			1	Oil pump separator
2. 15133-M92-000			1	Oil pump driven gear
3. 15100-H7A-000			1	Oil pump assy
11. 93600-06025-0A			3	Flange bolt 6x25
12. 90602-N01-000			1	C clip 8mm
13. 96001-06012-08			2	SH. Flange bolt 6x12

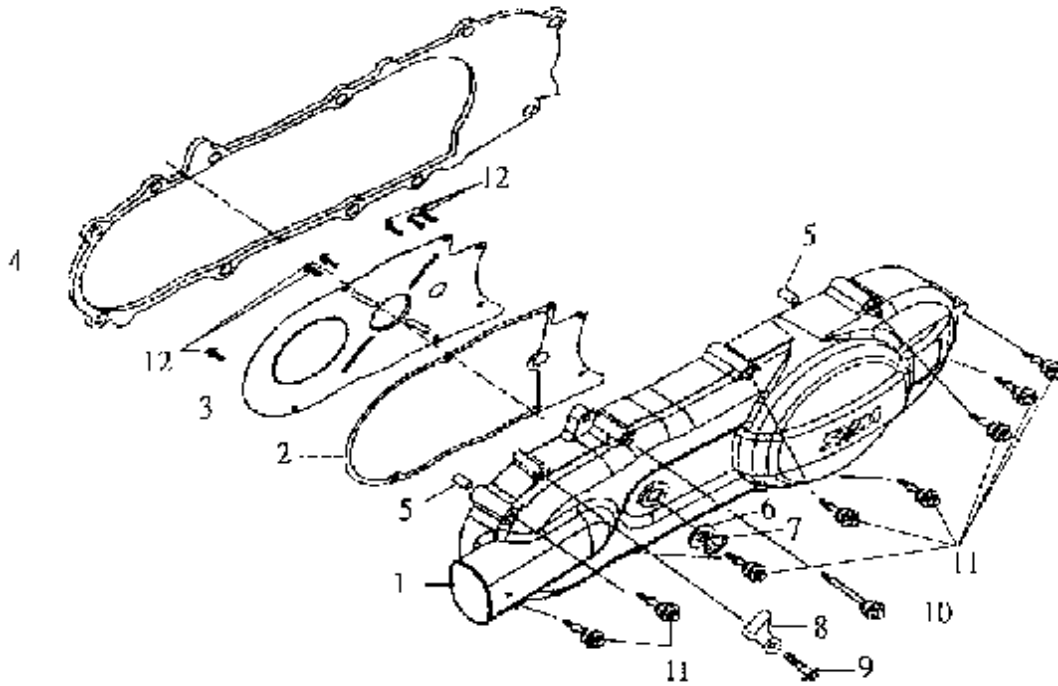


E10 STARTING MOTOR



MODEL(S)	CHANGE DATE	A P P L Y	Q T Y R E Q	DESCRIPTION
HS15W-6(SHARK 150)				
BLOCK NO .A-1				
PARTS NUMBER				
1. 28101-M9Q-000			1	Starter reduction gear
2. 28102-M9Q-000			1	Starter reduction gear shaft
3. 28110-M9Q-000			1	Starting clutch gear comp
4. 90201-M9Q-000			1	Lock nut 22mm
5. 90403-M92-000			1	Thrust washer 22.2x31x1.5
6. 91104-M9Q-000			1	Needle bearing 28x32x17
7. 90701-M9Q-000			1	Dowel pin 5x6
8. 31200-M92-100			1	Starting motor
9. 2812A-M92-000			1	Start clutch outer assy
10. 90002-M9Q-000			3	Socket bolt 6x10
11. 28120-M9Q-000			1	Starting clutch outer comp
13. 28125-M92-000			1	Starting clutch flange bolt
14. 96001-06016-08			2	SH. Flange bolt 6x16

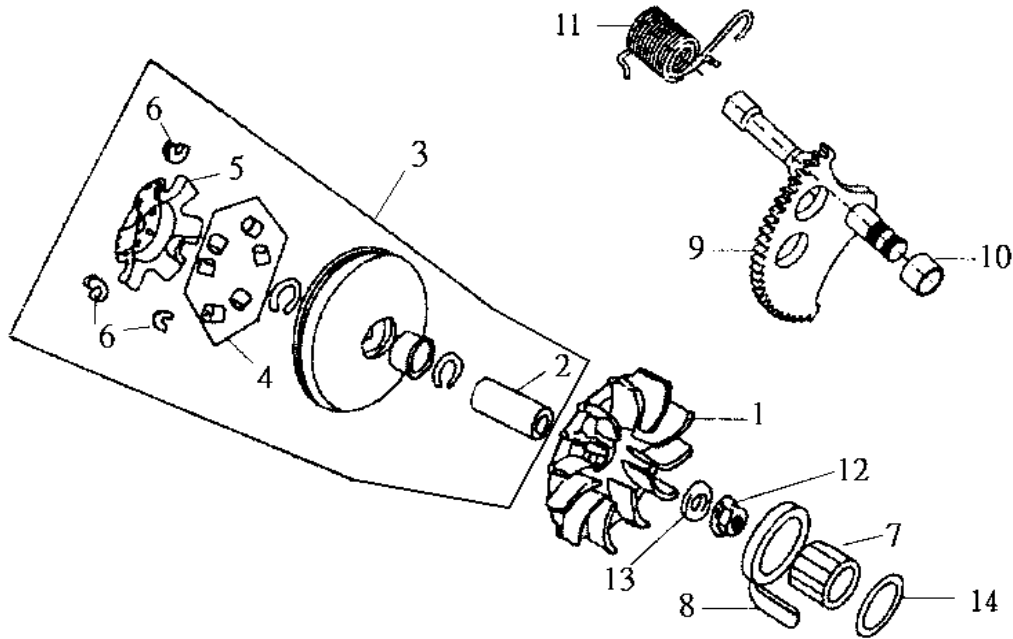




MODEL(S) HS15W-6(SHARK 150)	CHANGE DATE	A P P L Y	Q T Y R E Q	
PARTS NUMBER				DESCRIPTION
1. 1134A-H3A-000			1	L. crank case cover
2. 11343-M92-000			1	L. cover plate gasket
3. 11342-M92-000			1	L. cover plate
4. 11395-H3A-000			1	L. cover gasket
5. 90703-M8Q-000			2	Dowel pin 10x14
6. 90451-M9Q-000			1	Kick spindle washer
7. 94511-14000			1	EX. Circle clip 14mm
8. 11382-M92-000			1	Brake cable clamp
9. 96001-06012-08			1	SH. Flange bolt 6x12
10. 9000A-M9Q-000			1	Special bolt 6x57
11. 9000B-M9Q-000			8	Special bolt 6x37
12. 93500-05012-0H			6	Pan screw 5x12

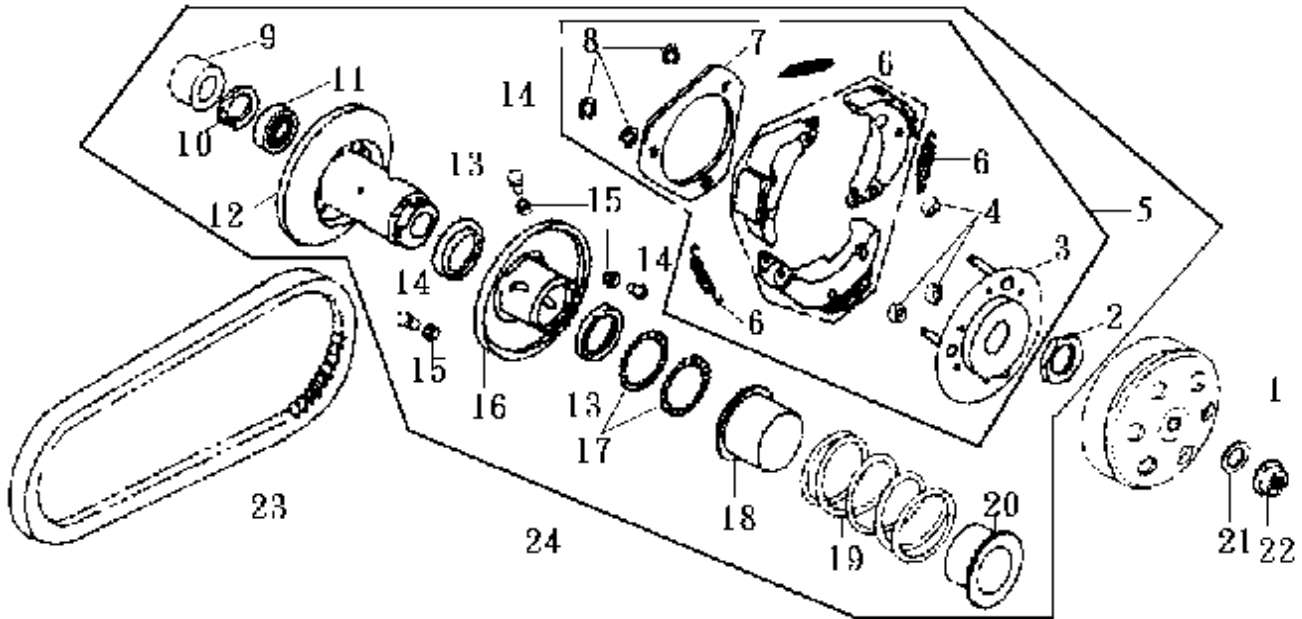


E-12 DRIVE FACE



MODEL(S) HS15W-6(SHARK 150)		A P P L Y	Q T Y R E Q	
BLOCK NO .A-1 PARTS NUMBER	CHANGE DATE			DESCRIPTION
1. 22102-M92-000			1	Drive face comp
2. 22105-M92-000			1	Drive face boss
3. 2211A-H5B-000			1	Movable drive face comp
4. 22121-M92-000-A			6	Weight roller set
5. 22131-M92-000			1	Ramp plate
6. 22132-M92-000-A			3	Slide piece set
7. 28230-M92-000			1	Kick driven gear comp
8. 28233-M92-000			1	Kick starter friction spring
9. 28250-H3A-000			1	Kick starter spindle comp
10. 28254-M92-000			1	Kick spindle bush
11. 28281-M92-000			1	Kick return spring
12. 90203-M9Q-000			1	C flange nut 12mm
13. 90440-M9Q-000			1	Plain washer 12mm
14. 90452-M9Q-000			1	Thrust washer 12mm

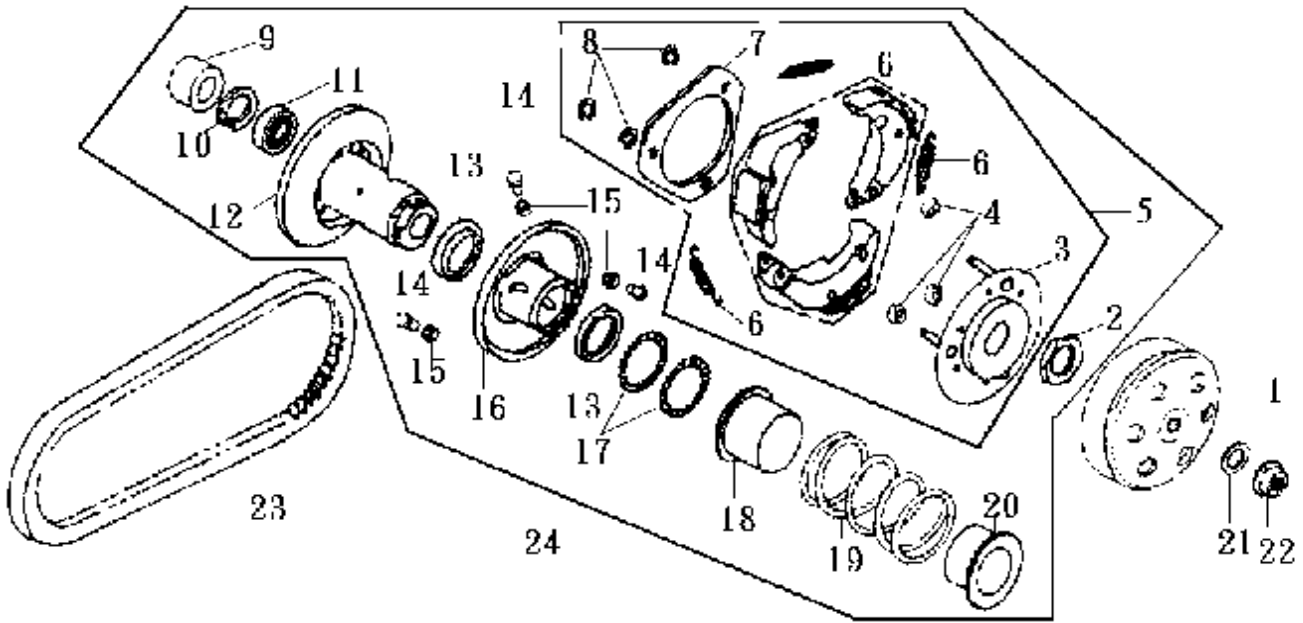




MODEL(S)		A	Q	
HS15W-6		P	T	
BLOCK NO .A-1	CHANGE	L	R	
PARTS NUMBER	DATE	Y	E	DESCRIPTION
1. 22101-M9Q-000			1	Clutch outer
2. 90202-M9Q-000			1	Special nut 28mm
3. 22350-M9Q-000			1	Drive plate comp
4. 22804-M9Q-000			3	Clutch damper rubber
5. 22300-M9A-000			3	Clutch weight set
6. 22401-M9Q-000			3	Clutch spring
7. 22361-M9Q-000			1	Clutch side plate
8. 90605-M9Q-000			3	Circle clip 7mm
9. 91001-M9Q-300			1	Needle bearing 20x29x18
10. 94520-28000			1	IN circle 28mm
11. 91002-M9Q-300			1	Radial ball bearing 6902U
12. 23210-M92-000			1	Driven face comp
13. 91211-V02-000			2	Driven face seal 34x41x4
14. 23225-M9Q-000			3	Roller guide pin
15. 23226-M9Q-000			3	Guide roller
16. 23220-H7A-000			1	Movable driven face comp
17. 91384-M9Q-000			2	O-ring 38.8x1.9
18. 23237-H7C-000			1	Seal collar
19. 23233-H7A-000			1	Driven face spring
20. 23238-M9Q-000			1	Spring collar
21. 90440-M9Q-000			1	Plain washer 12mm

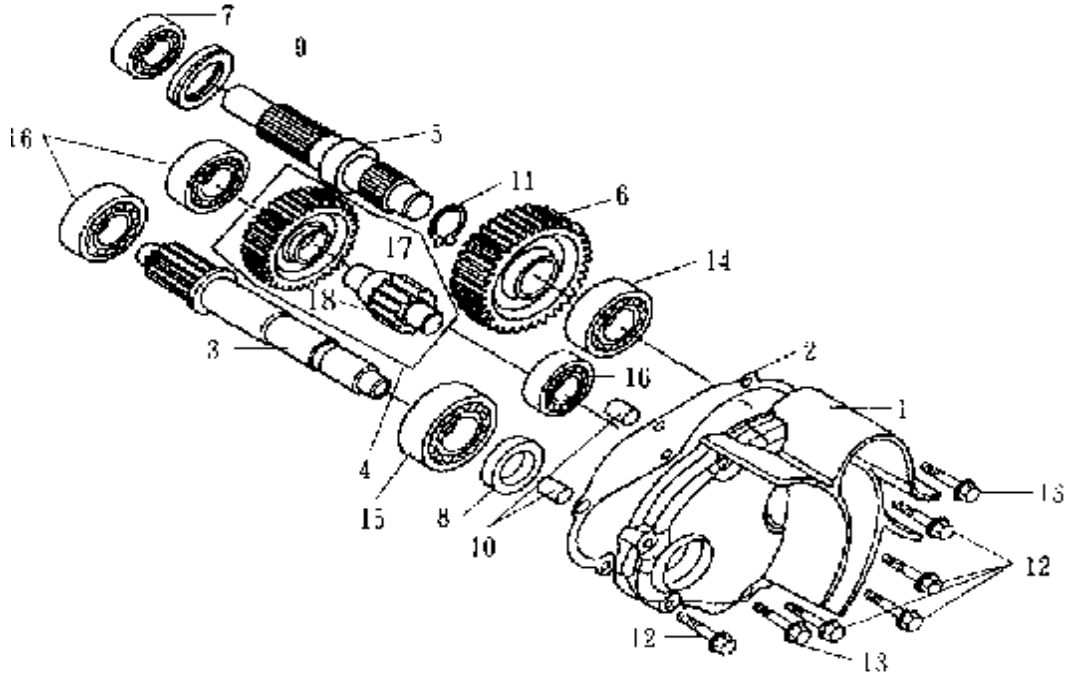


E-13-1 DRIVEN PULLEY



MODEL(S) HS15W-6(SHARK 150)		A P P L Y	Q T Y R E Q	
BLOCK NO .A-1 PARTS NUMBER	CHANGE DATE			DESCRIPTION
22. 90203-M9Q-000			1	C flange nut 12mm
23. 1B01H3A01			1	Drive belt
24. 23010-H7A-000			1	Driven pulley assy

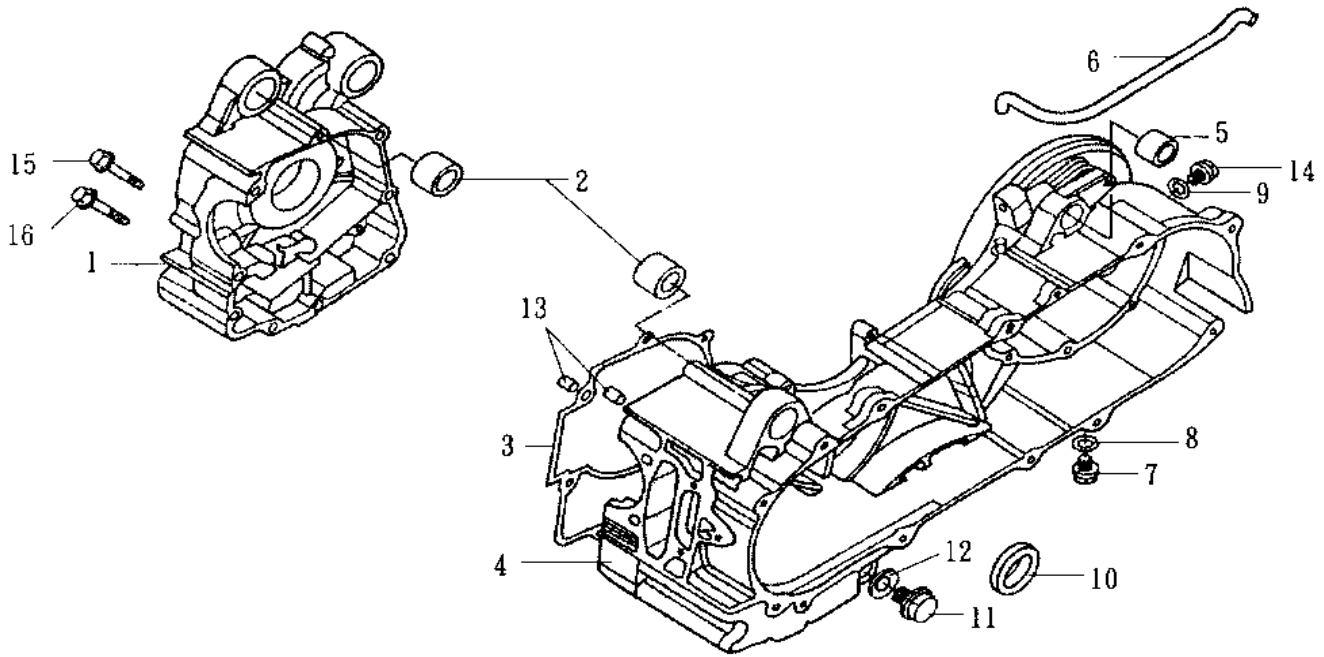




MODEL(S) HS15W-6(SHARK 150)		A P P L Y	Q T Y R E Q	
BLOCK NO .A-1 PARTS NUMBER	CHANGE DATE			DESCRIPTION
1. 21301-M92-000			1	Mission cover
2. 21395-H3A-000			1	Mission cover gasket
3. 23411-M92-000			1	Drive shaft
4. 23420-M92-000			1	Counter shaft comp
5. 23431-H3A-000			1	Final shaft
6. 23432-M92-000			1	Final gear
7. 96150-60043-10			1	Radial ball bearing 6004U
8. 91202-M9Q-300			1	Oil seal 20x32x6
9. 91255-M9Q-300			1	Oil seal 27x42x7
10. 94301-08140			2	Dowel pin 8x14
11. 94510-20000			1	EX. Circle clip 20mm
12. 96001-06025-08			5	SH. Flange bolt 6x25
13. 96001-06032-08			2	SH. Flange bolt 6x32
14. 96100-62033-00			1	Radial ball bearing 6203C3
15. 96100-62043-00			1	Radial ball bearing 6204C3
16. 96100-63013-00			3	Radial ball bearing 6301C3
17. 23422-M92-300			1	Counter gear
18. 23421-M92-300			1	Count shaft

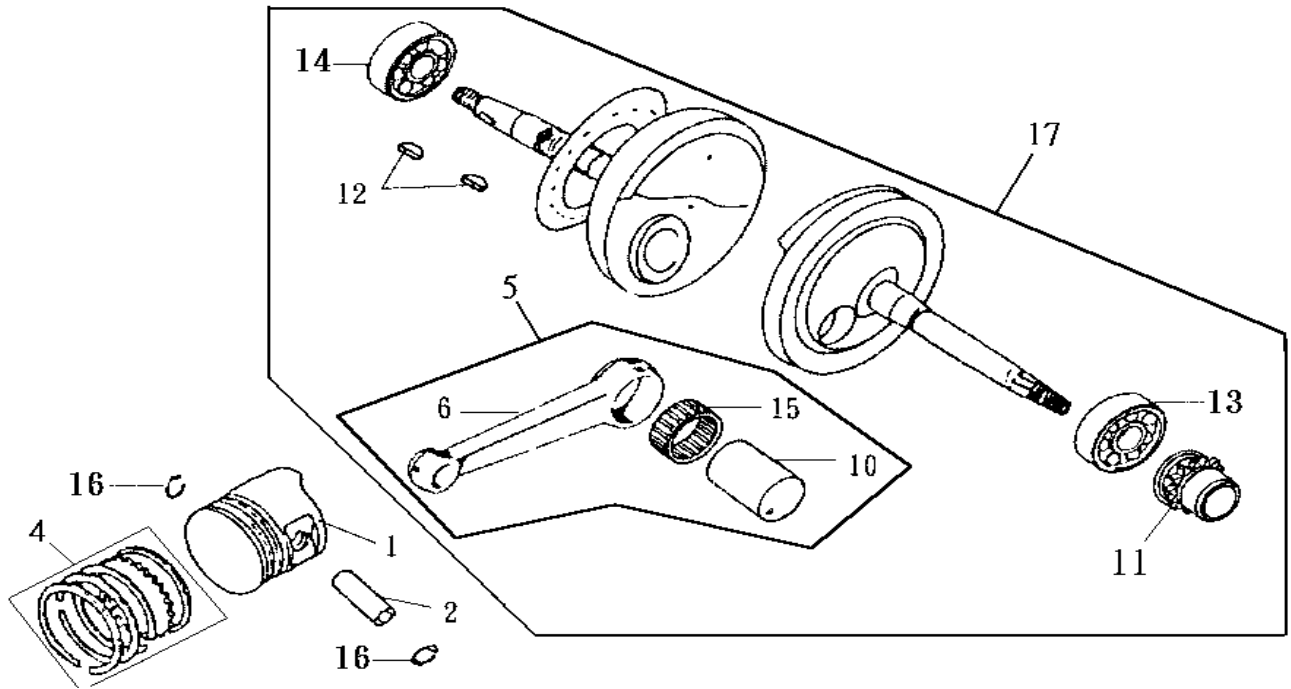


E-15 CRANK CASE



MODEL(S) HS15W-6(SHARK 150)	CHANGE DATE	A P P L Y	Q T Y R E Q	DESCRIPTION
BLOCK NO .A-1 PARTS NUMBER				
1. 11100-H3A-000-SN			1	R. crank case comp
2. 11102-H6B-300			2	Engine hanger rubber bush
3. 11192-H6B-000			1	Crank case gasket
4. 11200-H3A-000-SN			1	L. crank case comp
5. 11203-M9Q-300			1	RR. Cush under rubber bush
6. 11221-H3A-000			1	Mission breather tube
7. 90103-M9Q-000			1	Special bolt 8mm
8. 90474-M9Q-000			1	Washer 8mm
9. 90481-M9Q-000			1	Plain washer 10.2mm
10. 91202-G03-010			1	Oil seal 25x37x6
11. 92800-12000			1	Drain plug bolt 12mm
12. 94109-12000			1	Drain plug washer 12mm
13. 94301-08140			2	Dowel pin 8x14
14. 95701-10012-08			1	Flange bolt 10x12
15. 96001-06045-08			1	SH. Flange bolt 6x45
16. 96001-06055-08			1	SH. Flange bolt 6x55
			1	R. crank case comp

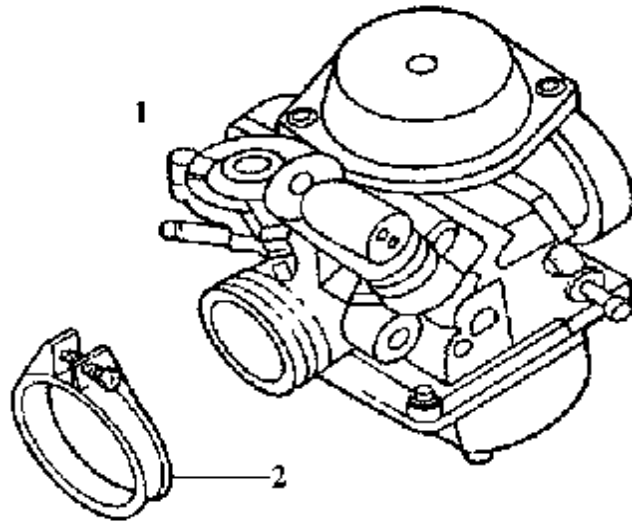




MODEL(S) HS15W-6(SHARK 150)	CHANGE DATE	A P P L Y	Q T Y R E Q	
BLOCK NO .A-1 PARTS NUMBER				DESCRIPTION
1. 13101-H7C-000			1	Piston
2. 13111-KJ9-000			1	Piston pin
4. 13010-H7C-000			1	Piston-ring set
5. 1320A-H7A-000			1	Connecting rod set
6. 13201-H7A-000			1	Connecting rod
10. 13381-M92-300			1	Crank pin
11. 14311-M92-300			1	Timing sprocket
12. 90702-M9Q-000			2	Wood ruffkey 25x14x4
13. 91001-X06-911-M1			1	Radial ball bearing 6305
14. 91001-H6B-300				Radial ball bearing 63/22
15. 91101-M9Q-000			1	Connecting rod bearing
16. 94601-15000			2	Piston pin clip 15mm
17. 13000-H7C-020			1	Crank shaft comp



E17 CARBURETOR



MODEL(S) HS15W-6(SHARK 150)	CHANGE DATE	A P P L Y	Q T Y R E Q	DESCRIPTION
BLOCK NO .A-1 PARTS NUMBER				
1. 16100-H5A-000-01 2. 17256-M9Q-000			1 1	Carburetor comp Insulator band

