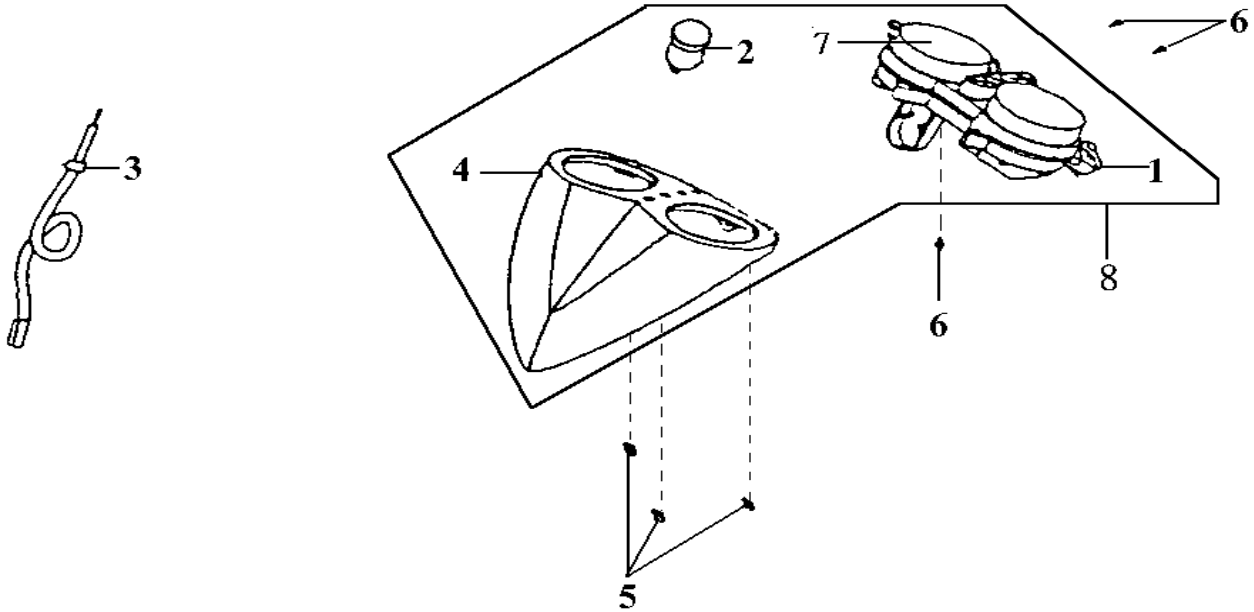


MODEL(S) HS12W-6(SHARK 125)		A P P L Y	Q T Y R E Q	
BLOCK NO. .A-1	CHANGE DATE			
PARTS NUMBER				DESCRIPTION
1. 33100-H3A-000			1	FR. Light assy
2. 34901-M91-010			1	Head light bulb 12V35/35W
3. 34908-H3A-000			2	Wedge base bulb 12V5W
4. 64301-H3A-000-CO(BU-4035S)			1	<i>BLUE</i> FR. Cover comp
64301-H3A-000-NS(GN-4826S)			1	<i>GREEN</i> FR. Cover comp
64301-H3A-000-RT(R-010CA)			1	<i>RED</i> FR. Cover comp
5. 90110-GZ0-000			1	Special screw 6x14
6. 93903-35320			4	Tapping screw 5x16
7. 90308-SB2-013			2	Sus nut 5mm
8. 87123-G22-000-T1			2	SYM stripe



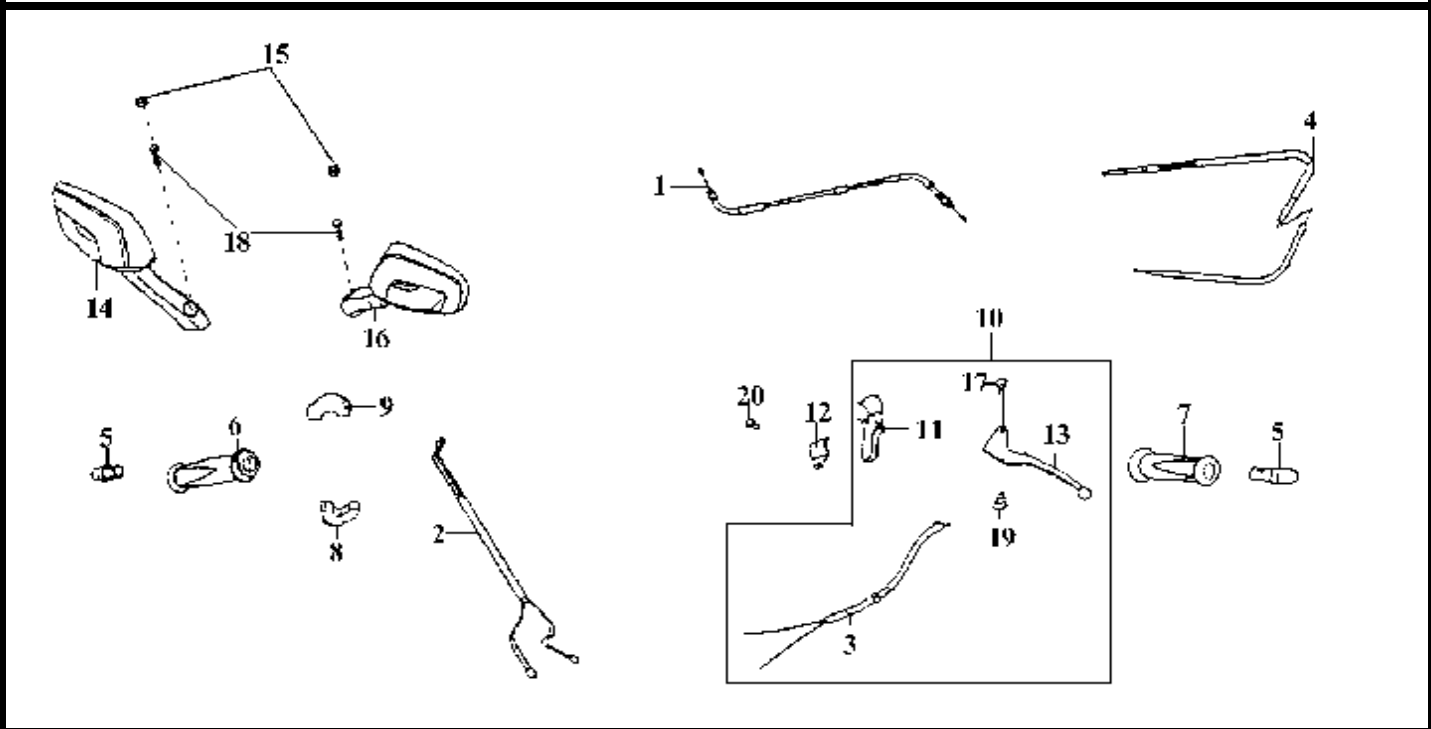
F02 Speedometer Assy



MODEL(S) HS12W-6(SHARK 125)		A	Q	
BLOCK NO. .A-3	CHANGE DATE	P	T	
PARTS NUMBER		P	R	DESCRIPTION
		L	E	
		Y	Q	
1. 37200-H3A-000	Sep./11.2002		1	<i>revised</i> Speedometer
2. 38301-A31-000			1	Winker relay comp
3. 44830-H3A-000			1	Speedometer cable comp
44830-H3A-600			1	Speedometer cable comp
4. 53210-H3A-010	Sep./11.2002		1	<i>revised</i> Meter cover
5. 90302-SA4-003			3	Clip nut 4mm
6. 93903-34320			3	Tapping screw 4x12
7. 37211-H3A-000	Jan./31.2001		1	Meter lens
8. 3720A-H3A-010	Sep./11.2002		1	<i>revised</i> Speedometer assy



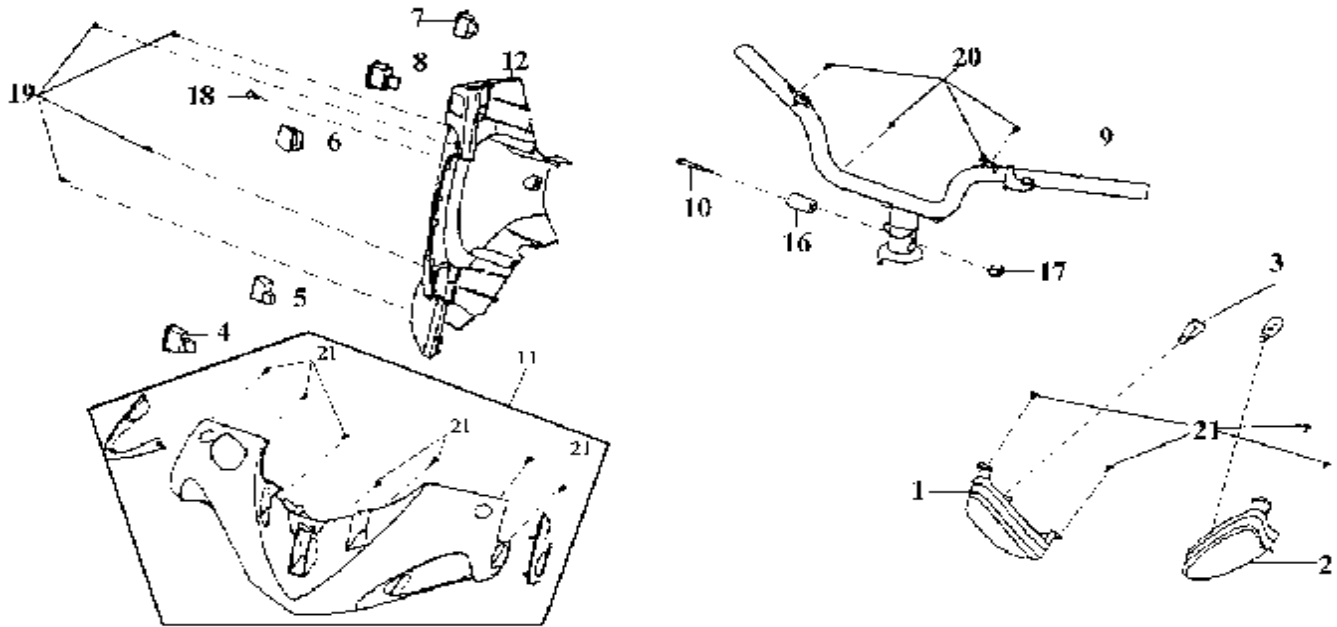
TEAMWORLD IND. 2000



MODEL(S) HS12W-6(SHARK 125)		A	Q	
BLOCK NO. .A-1	CHANGE DATE	P	T	
PARTS NUMBER		L	R	DESCRIPTION
		Y	E	
1. 17910-H3A-000			1	Throttle cable comp
2. 35342-T15-000			1	FR. Stop SW. cord comp
3. 35350-M70-000			1	RR. Stop SW. assy
4. 43450-H3A-000			1	RR. Brake cable comp
5. 53105-H3A-000			2	STRG. Handle end
6. 53140-H3A-000			1	THROT. Grip comp
7. 53166-H3A-000			1	L. handle grip
8. 53167-H09-000			1	UND. Throt. Housing
9. 53168-H09-000			1	UP. Throt. Housing
10. 5317B-H3A-000			1	L. STRG. Handle lever assy
11. 53172-H3A-000			1	L. handle lever braket
12. 53173-GS7-003			1	Handle brkt band
13. 53178-M92-010			1	L. handle lever
14. 88110-H3A-000			1	R. back mirror assy
15. 88112-M9Q-000			2	Socket bolt cap 8mm
16. 88120-H3A-000			1	L. back mirror assy
17. 90115-M9Q-000			1	Handle lever pivot screw
18. 90185-T31-000			2	Socket bolt 8x38
19. 94001-05000-0S			1	HEX nut 5mm
20. 96001-06020-07			1	Flange bolt (SH) 6x20



F04 Steering Handle . Handle cover

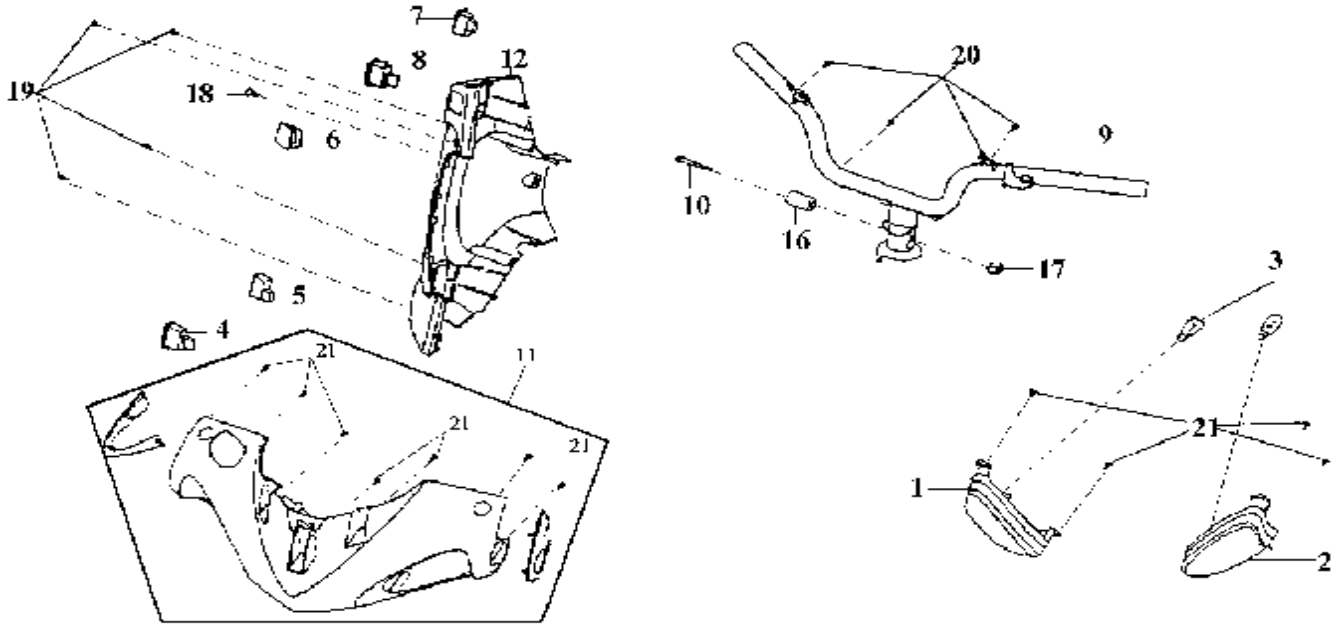


MODEL(S) HS12W-6(SHARK 125)		A	Q	
BLOCK NO. .A-3 PARTS NUMBER	CHANGE DATE	P	T	DESCRIPTION
		P	Y	
		L	R	
		Y	E	
		Q	Q	
1. 33400-H3A-000 33400-H3A-600	Sep./11.2002		1	R. winker assy
2. 33450-H3A-000 33450-H3A-600	Sep./11.2002		1	L. winker assy
3. 34905-B06-000-E 34905-H3A-000	07/07/1999	Y	4	Winker bulb 12V10W
4. 35150-M9Q-000			4	Winker bulb 12V10W
5. 35160-M9Q-000			1	Light SW. unit
6. 35170-M9Q-000			1	Start SW. unit
7. 35180-M9Q-000			1	Dimmer SW. unit
8. 35200-M9Q-000			1	Horn SW. unit
9. 53100-H3A-000			1	Winker SW. unit
53100-H3A-010			1	STRG. Handle comp
10. 53125-M9Q-000			1	STRG. Handle comp
11. 5320C-H3A-000-CO(BU-4035S)			1	Handle set collar
5320C-H3A-010-CO(BU-4035S)			1	FR. Handle cover assy
5320C-H3A-000-NS(GN-4826S)			1	FR. Handle cover assy
5320C-H3A-010-NS(GN-4826S)			1	FR. Handle cover assy
5320C-H3A-000-RT(R-010CA)			1	FR. Handle cover assy
5320C-H3A-010-RT(R-010CA)			1	FR. Handle cover assy
12. 53206-H3A-000-CO(BU-4035S)			1	FR. Handle cover assy
53206-H3A-010-CO(BU-4035S)			1	RR. Handle cover assy
			1	RR. Handle cover assy



TEAMWORLD IND. 2000

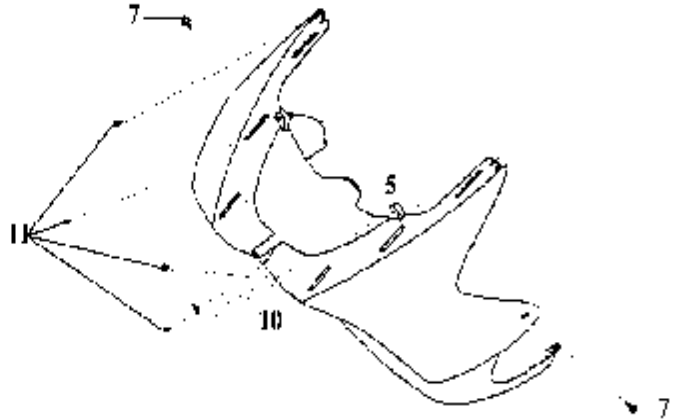
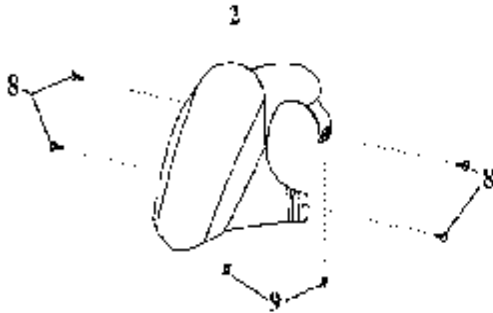
F04-1 Steering Handle . Handle cover



MODEL(S) HS12W-6(SHARK 125)	CHANGE DATE	A P P L Y	Q T Y P R E Q	DESCRIPTION
BLOCK NO. .A-2 PARTS NUMBER				
12. 53206-H3A-000-NS(GN-4826S)			1	<i>GREEN</i> RR. Handle cover assy
53206-H3A-010-NS(GN-4826S)			1	<i>GREEN</i> RR. Handle cover assy
53206-H3A-000-RT(R-010CA)			1	<i>RED</i> RR. Handle cover assy
53206-H3A-010-RT(R-010CA)			1	<i>RED</i> RR. Handle cover assy
16. 90106-M9Q-000			1	Flange bolt 10x50
17. 90304-M9Q-000			1	Flange U nut 10mm
18. 91508-A26-000			1	Pan screw 5x7
19. 93903-34480			4	Tapping screw 4x16
20. 93903-35220			4	Tapping screw 5x12
21. 93903-34320			11	Tapping screw 4x12

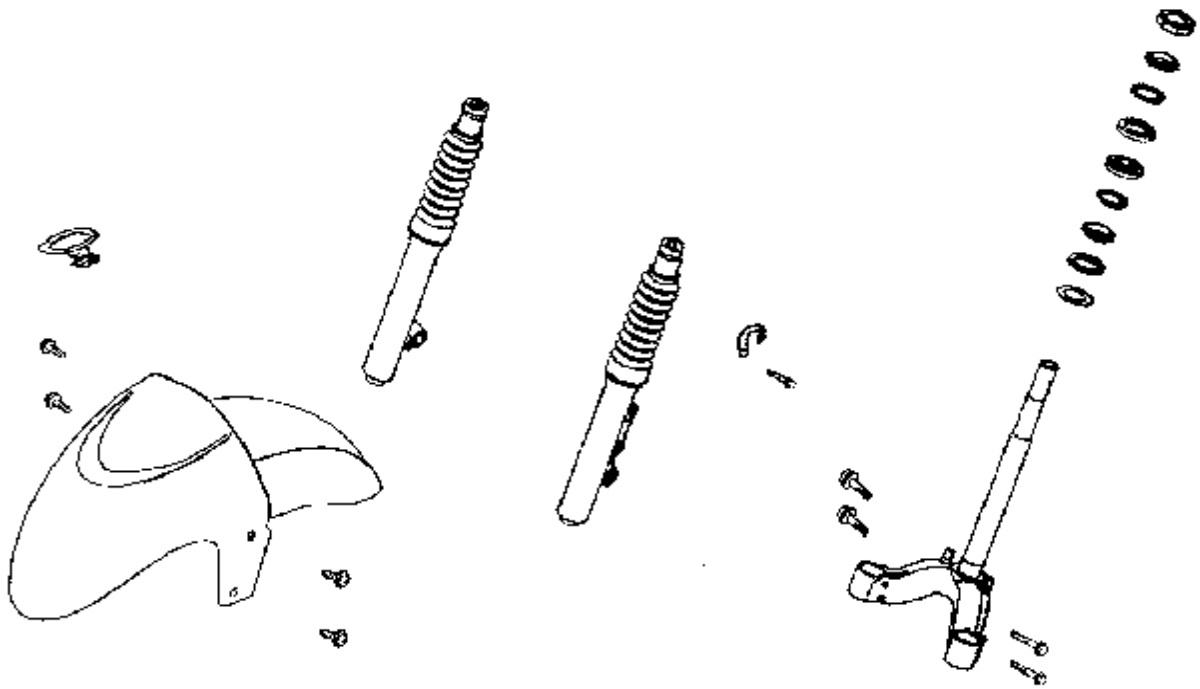


TEAMWORLD IND. 2000



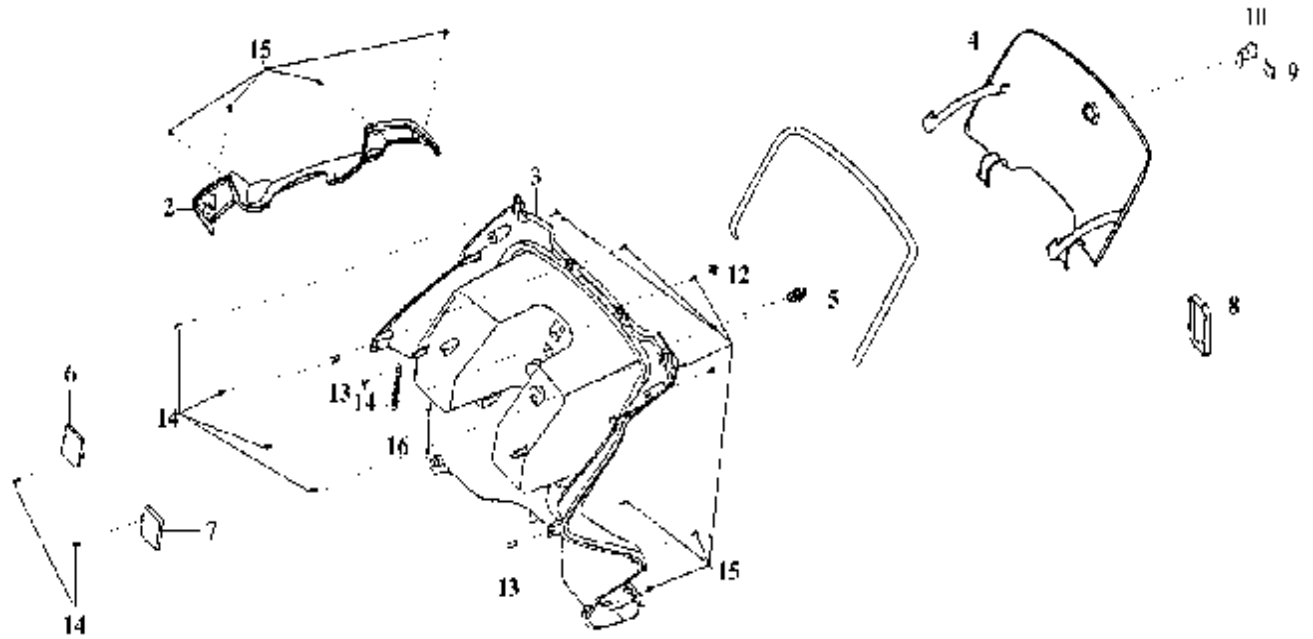
MODEL(S) HS12W-6(SHARK 125)		A P P L Y	Q T Y R E Q	
BLOCK NO. .A-1 PARTS NUMBER	CHANGE DATE			DESCRIPTION
2. 61100-H3A-000-CO(BU-4035S)			1	BLUE FR. Fender assy
61100-H3A-000-NS(GN-4826S)			1	GREEN FR. Fender assy
61100-H3A-000-RT(R-010CA)			1	RED FR. Fender assy
5. 61120-H3A-000-SQ(S-880S)			1	SILVER FR. Under soper
61120-H3A-000-CO(BU-4035S)			1	BLUE FR. Under soper
7. 90117-T15-000			2	Washer screw 5x14
8. 90164-MR4-900			4	Special screw 6mm
9. 90305-M9Q-000			2	Clip nut 6mm
10. 90308-SB2-013			1	SUS. Nut 5mm
11. 93903-35320			4	Tapping screw 5x16





MODEL(S)		A	P	Q	
BLOCK NO. A-1	CHANGE DATE	P	L	T	
PARTS NUMBER		Y	R	E	DESCRIPTION
45156-H3C-0000					FR. BRAKE HOSE CLAMP
45451-N02-0002					WIRE GROMMET
50301-M9Q-0002					STRG. UP RACE BALL
50302-M9Q-0000					BALL RACE(STRG. BOT.)
50306-M9Q-0000					STRG. STEM LOCK NUT
51400-H3F-0000					FR/R CUSHION ASSY
51500-H3F-0000					FR/L CUSHION ASSY
53200-H3A-0005					STRG. STEM COMP.
53211-M9Q-0000					F STRG. TOP CONE RACE
53212-M9Q-0000					CONE RACE(STRG. BOTTOM)
53214-M9Q-0000					STRG. DUST SEAL
53215-M9Q-0000					STRG. DUST SEAL WASHER
61100-H3F-0001					FR FENDER
90164-M9Q-0000					SPECIAL SCREW 6MM
95801-06012-08					FLANGE BOLT 6*12
95801-08050-08					FLANGE BOLT M8*50
96211-05000					BALL. STEEL 5
96211-08000					STEEL BALL 8mm

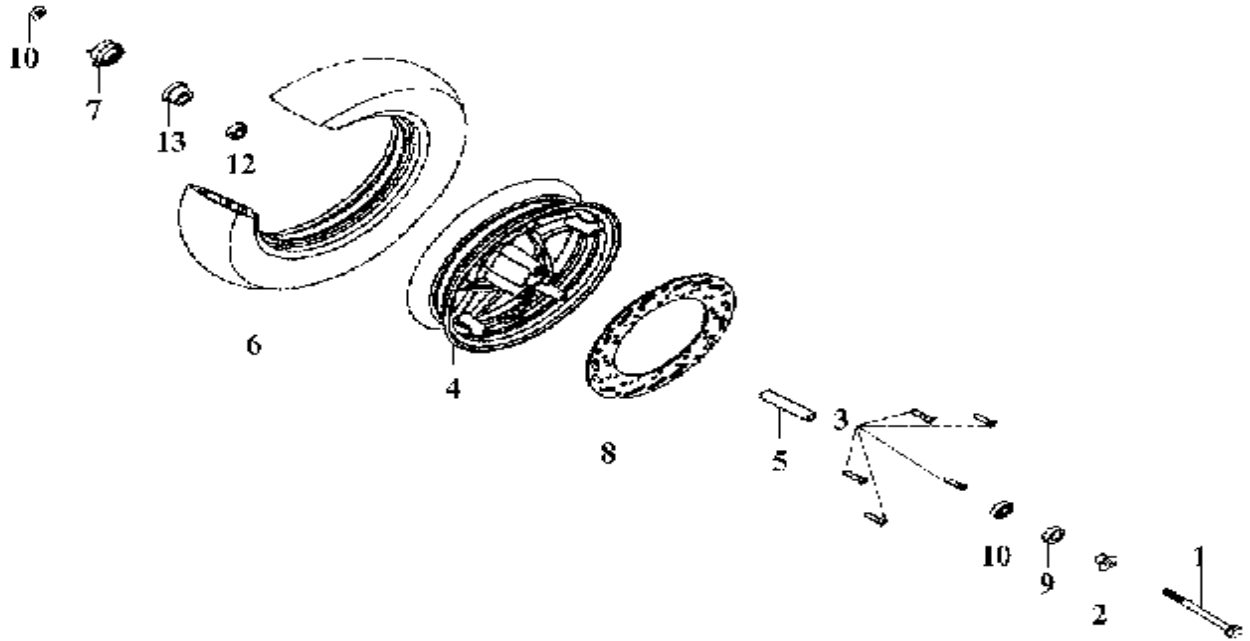




MODEL(S)	CHANGE DATE	A P P L Y	Q T Y R E Q	DESCRIPTION
HS12W-6(SHARK 125)				
BLOCK NO. .A-2				
PARTS NUMBER				
2. 64302-H3A-000-CO(BU-4035S)			1	<i>BLUE</i> FR. Top cvoer
64302-H3A-000-NS(GN-4826S)			1	<i>GREEN</i> FR. Top cvoer
64302-H3A-000-RT(R-010CA)			1	<i>RED</i> FR. Top cvoer
3. 64304-H3A-000-GK(GY-426U)	Sep./1.2000	N	1	(Revised) FR. Inner box
4. 64308-H3A-000-GK(GY-426U)	Sep./1.2000	N	1	(Revised) FR. Inner box lid
5. 64309-H6A-000			1	Adjust hinge cover
6. 64316-H3A-000-KA	Jul./3.2000		1	R. hinge cover
7. 64317-H3A-000-KA	Jul./3.2000		1	L. hinge cover
8. 64318-H6B-000-GK(GY-426U)	Sep./1.2000	N	1	(Revised) Frame number lid
9. 75581-M9Q-000			1	Lock key set spring
10. 77233-M9Q-900			1	Inner box lock assy
12. 90301-M9Q-900			1	Open stay nut 6mm
13. 90677-GR1-003			2	Clip nut 5mm
14. 93903-34320			7	Tapping screw 4x12
15. 93903-35380			11	Tapping screw 5x16
16. 94591-21000			1	Clip 2x100

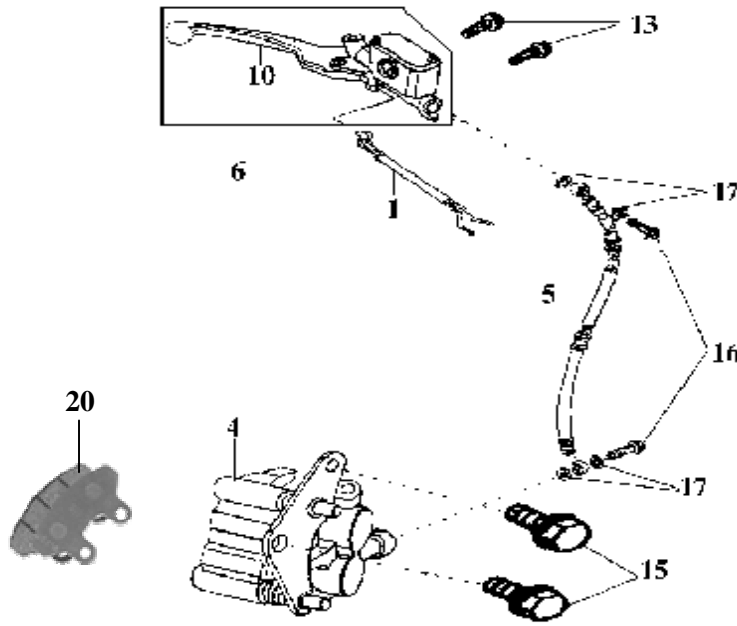


F08 Front Wheel



MODEL(S) HS12W-6(SHARK 125)		A P P L Y	Q T Y R E Q	
BLOCK NO. .A-2 PARTS NUMBER	CHANGE DATE			DESCRIPTION
1. 44301-G22-000			1	FR. Wheel axle
2. 44311-GW0-910			1	FR. Wheel side collar
44311-H09-000	Oct./4.2000	N	1	FR. Wheel side collar
3. 90106-H09-000			5	FR. Disk bolt 8x51
4. 44601-H3A-000-SH			1	FR. Cast wheel comp
5. 44620-H3A-000			1	FR. Axle disk collar
6. 1T011009012-4PR			1	Tire set 100-90-12
7. 44800-G22-000			1	SPDMT. Gear box assy
8. 45121-H3A-000			1	FR. Brake disk
9. 90754-M9Q-000-M2			1	Dust seal
10. 90306-M9Q-000			1	Flange U nut 12mm
12. 90912-M9Q-000-M1			2	Radial ball 6201 U
13. 91258-M9Q-000-M2			1	SPDMT. Gear seal

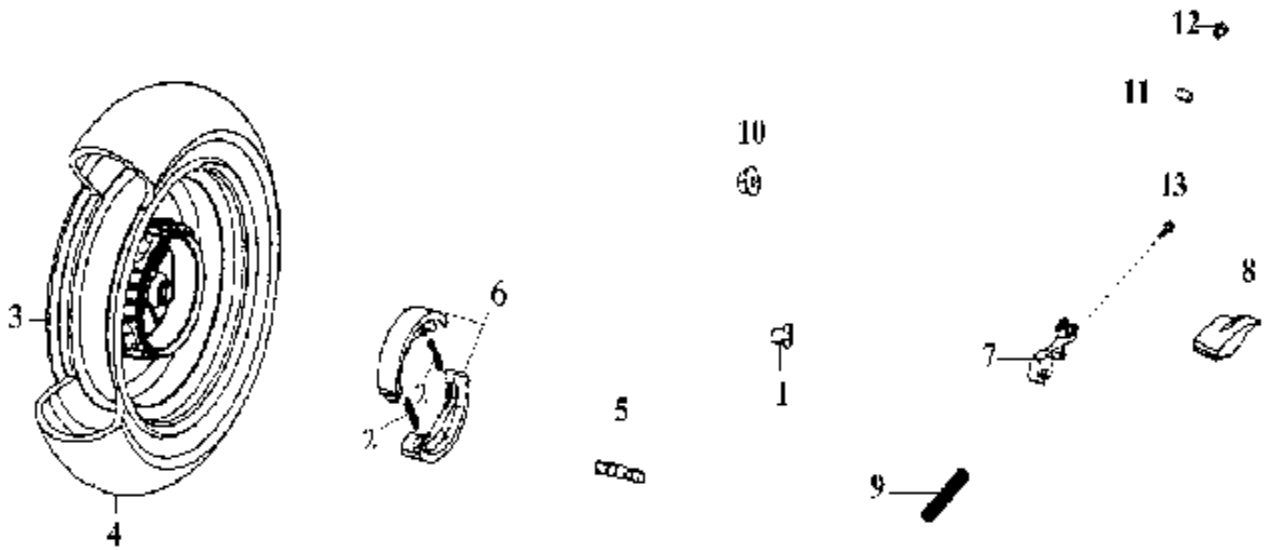




MODEL(S) HS12W-6(SHARK 125)	CHANGE DATE	A P P L Y	Q T Y R E Q	
BLOCK NO. .A-2 PARTS NUMBER				DESCRIPTION
1. 32106-KBN-900			1	SUB. Harness
4. 45100-H3A-000			1	FR. L. caliper ass'y
5. 45126-H3A-600			1	FR. Brake hose comp
45126-H3C-000	Sep./22.2000	Y	1	<i>(Revised)</i> FR. Brake hose comp
6. 45500-H3A-000			1	FR. Master cylinder ass'y
10. 53175-H09-020			1	R. handle lever
13. 90110-T53-000			2	Flange bolt SH 6x12
15. 90131-GW0-910			2	Flange bolt 8x35
16. 90145-MS9-611			2	Oil bolt 10x22
17. 90545-300-000			4	Oil washer bolt
20. 45105-H3A-000-A			1	Brake pad set



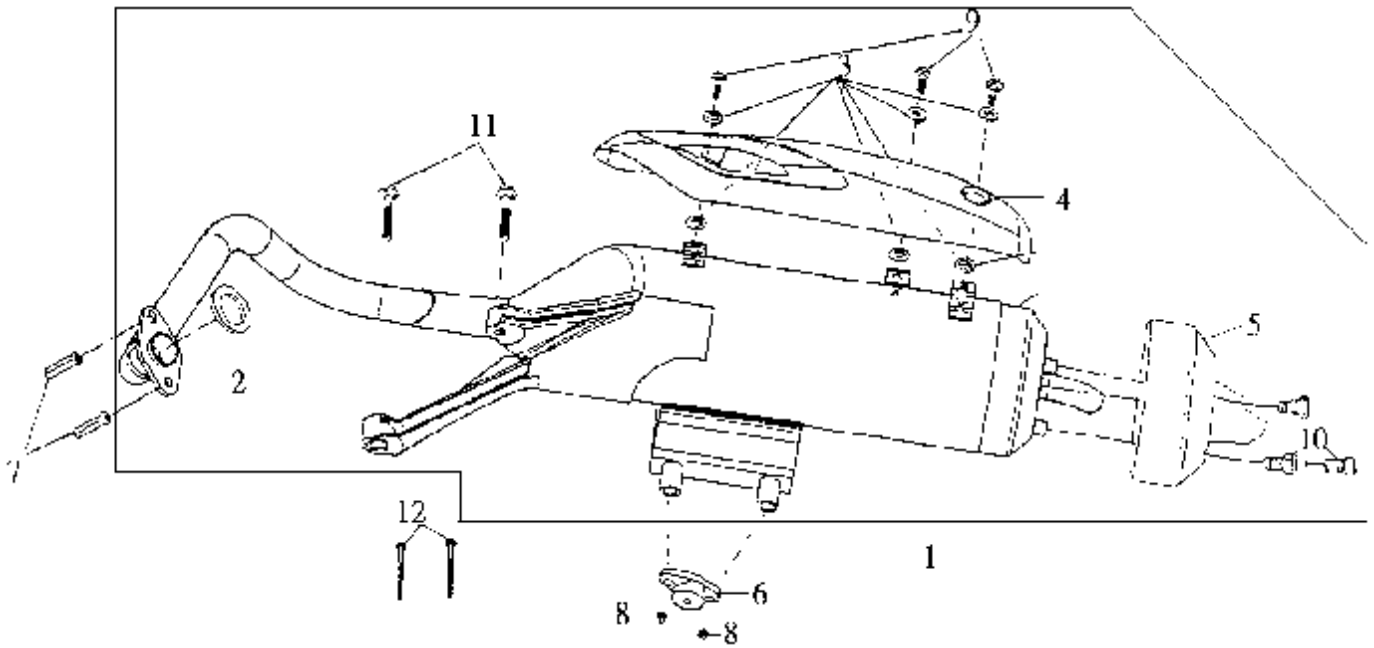
F10 Rear Wheel



MODEL(S) HS12W-6(SHARK 125)		A P P L Y	Q T Y R E Q	
BLOCK NO. .A-2 PARTS NUMBER	CHANGE DATE			DESCRIPTION
1. 42311-H3A-000			1	RR. Axle side collar
2. 45133-M9Q-000			2	Brake shoe spring
3. 42601-H3A-000-SH			1	RR. Cast wheel comp
4. 1T011307012-4PR-DM			1	Tubless tire set 130-70-12
5. 43141-H6B-010			1	RR. Brake cam
6. 4312A-H6B-900	Jul./20.2000	Y	1	(REVISED) RR. Brake shoe assy
7. 43410-H3A-000			1	RR. Brake arm comp
8. 43415-H3A-000			1	RR. Brake arm cover
9. 43472-H3A-000			1	RR. Brake roturm spring
10. 90305-GW0-901-M1			1	Flange U unt 14mm
11. 95015-32001			1	Brake arm joint B
12. 95015-42000			1	Adjust nut B
13. 95701-06032-00			1	Flange bolt 6x32



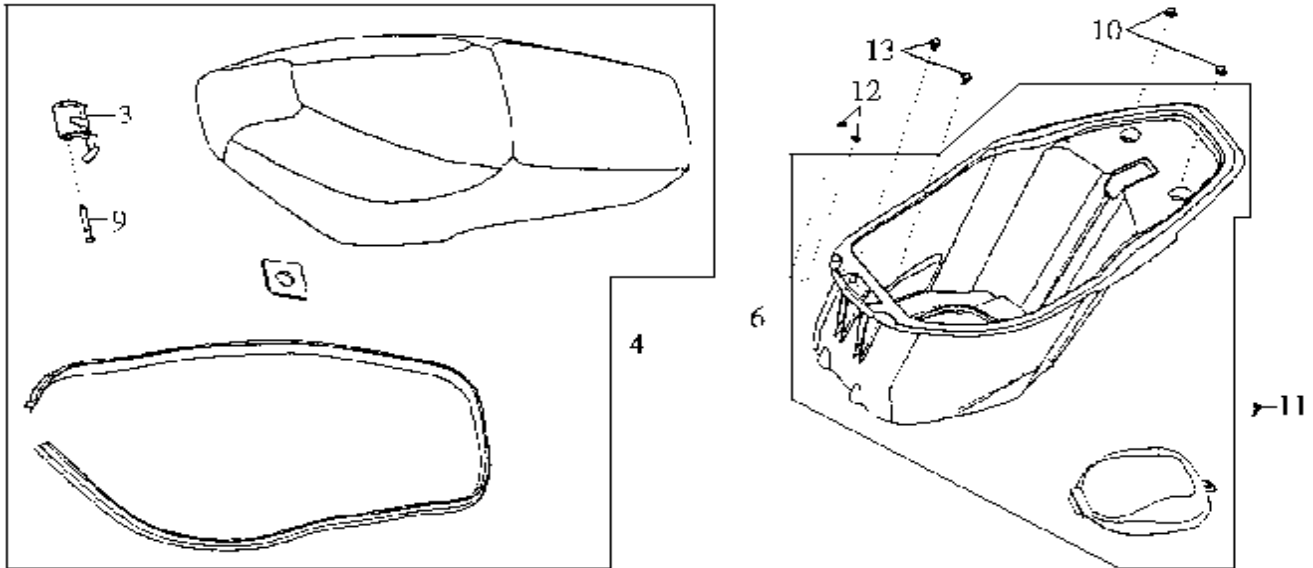
TEAMWORLD IND. 2000



MODEL(S) HS12W-6(SHARK 125)		A P P L Y	Q T Y R E Q	
BLOCK NO. .A-1 PARTS NUMBER	CHANGE DATE			DESCRIPTION
1. 18000-H3A-000			1	EXH. Muffler assy
2. 18291-M9Q-000			1	EXH. Pipe gasket
3. 18293-H12-000			6	Protector packing
4. 18318-H3A-000			1	Muffler protector
5. 18328-H3A-000			1	RR. Muffler protector
6. 18410-H3A-000			1	Muffler RR. Mount assy
7. 90301-M92-000			2	Muffler joint nut 7mm
8. 90443-107-000			2	Cap nut 8mm
9. 93892-06016-08			3	Washer screw 6x16
10. 93892-05012-08			3	Washer screw 5x12
11. 95801-08038-07			2	Flange bolt 8x38
12. 95801-08120-07			2	Flange bolt 8x120



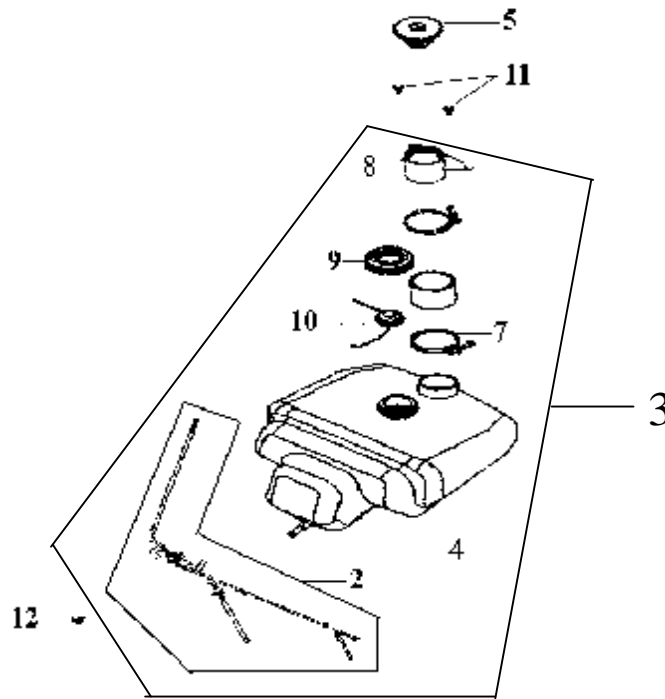
F12 Seat. Luggage Box



MODEL(S) HS12W-6(SHARK 125)		A	Q	
BLOCK NO. .A-3	CHANGE DATE	P	T	
PARTS NUMBER		L	Y	DESCRIPTION
3. 77100-P6A-000	Aug./26.2002		1	Seat hinge comp
4. 7720A-H3A-006-BK(BK-001L)	Aug./1.2000	N	1	(Revised) Double seat assy
6. 8125A-H3A-000-KA(BK-001U)			1	Luggage box assy
9. 90105-GY6-900(wrong code)			1	Seat hinge pin10x184
90105-M9Q-000	Jun./21.2001	N	1	Seat hinge pin
10. 90301-M9Q-900			2	Open stay nut 6mm
11. 90381-GZ5-000			1	Special screw 6x17
12. 94050-06000			2	Flange nut 6mm
13. 95801-06016-08			2	Flange bolt 6x16



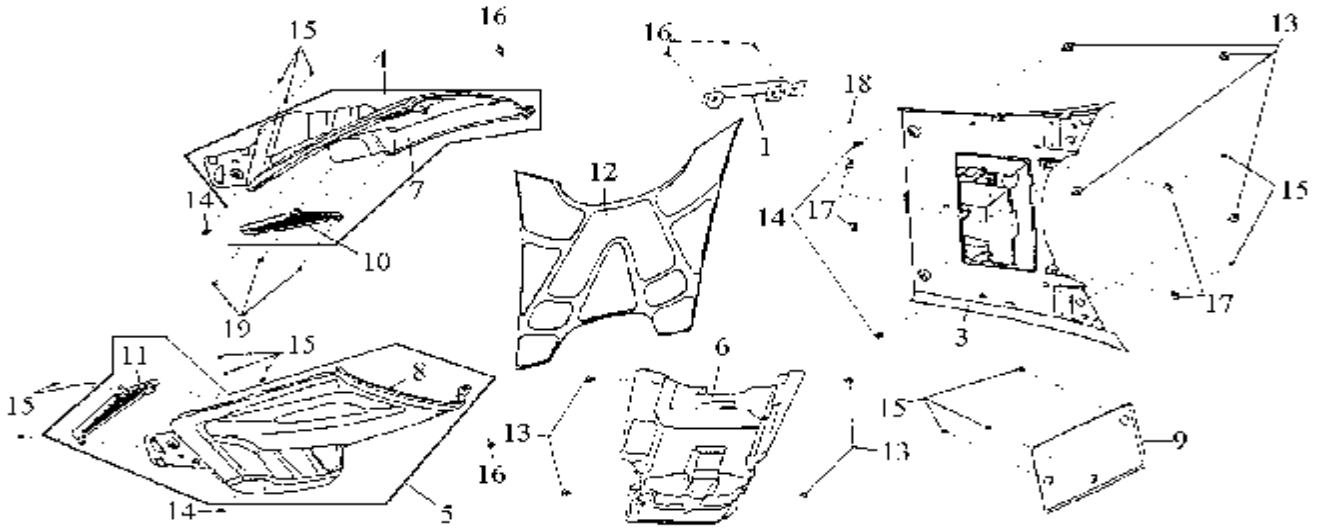
TEAMWORLD IND. 2000



MODEL(S) HS12W-6(SHARK 125)		A	Q	
BLOCK NO. .A-3	CHANGE DATE	P	T	
PARTS NUMBER		L	R	DESCRIPTION
		Y	E	
		Q	Q	
2. 1695A-H3A-000			1	Fuel cock assy
3. 1750A-H3A-000			1	Fuel tank assy
4. 17500-H3A-000			1	Fuel tank comp
5. 17620-H3A-000	Oct./14.2002		1	Fuel tank cap comp <i>revised</i>
8. 17660-H3A-000			1	Filler pipe comp
9. 17770-H01-000			1	Fuel tank lock nut
10. 37800-A31-000			1	Fuel nut <i>(error)</i>
37800-H3A-000	Apr./10.2001	N	1	Fuel nut <i>(correct)</i>
11. 95801-06016-08			2	Flange bolt 6x16
12. 95801-06020-08			1	Flange bolt 6x20



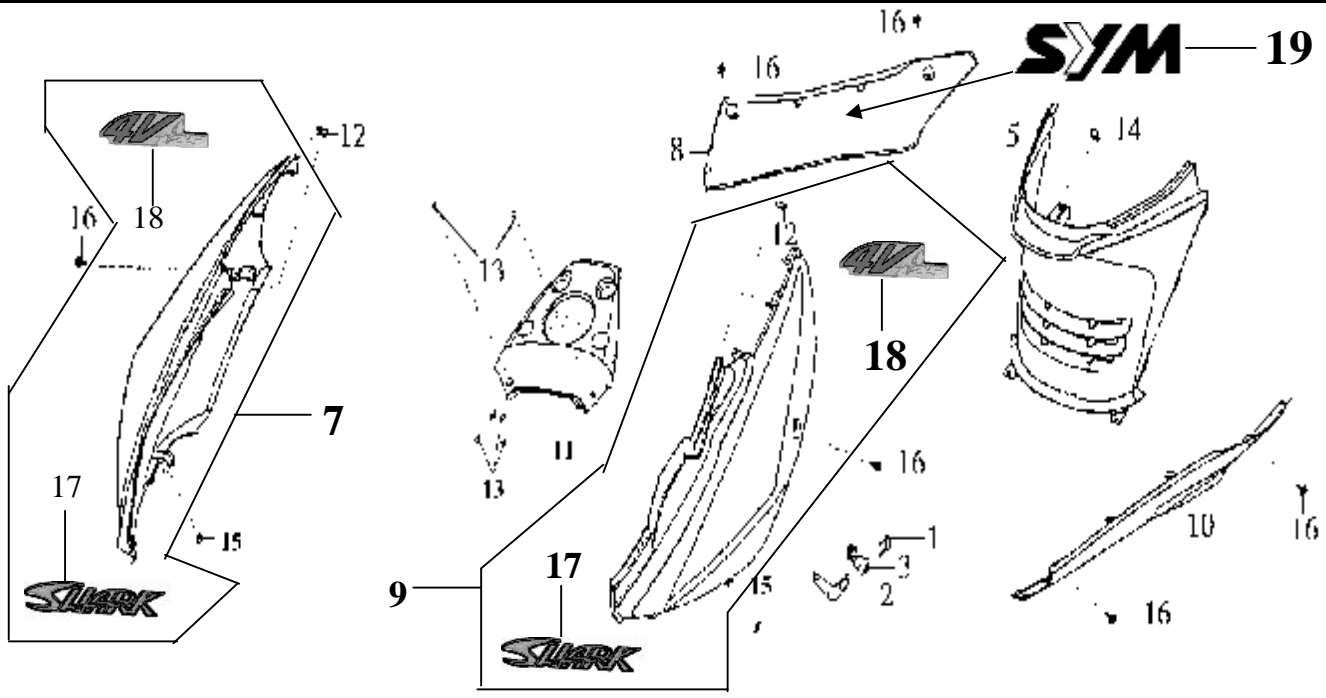
F14 Floor Panel



MODEL(S)	CHANGE DATE	A P P L Y	Q T Y R E Q	DESCRIPTION
BLOCK NO. .A-2				
PARTS NUMBER				
HS12W-6(SHARK 125)				
1. 5032A-M9Q-000			1	Battery band assy
3. 50610-H3A-000-KA(BK-001U)			1	(Cancel) Floor panel
50610-H3A-000-GK	Oct./4.2000	Y	1	
4. 5061B-H3A-000-GK(GY-426U)			1	R. side step assy
5. 5061C-H3A-000-GK(GY-426U)			1	L. side step assy
6. 50613-H3A-000-KA			1	Under cover
7. 50617-H3A-000-GK			1	R. Side step
8. 50615-H3A-000-GK			1	L. Side step
9. 50620-H3A-000-KA(BK-001U)			1	(Cancel) Battery lid
50620-H3A-000-GK	Oct./4.2000	Y	1	
10. 50621-H3A-000			1	R. Grille
11. 50622-H3A-000			1	L. Grille
12. 64320-H3A-000-KA(BK-001U)			1	(Cancel) Floor mat
64320-H3A-000-GK	Oct./4.2000	Y	1	
13. 90111-M9Q-000			8	Flange bolt 6mm
14. 90677-GR1-003			4	Clip nut 5mm
15. 93903-35380			11	Tapping screw 5x16
16. 93891-05016-07			4	Washer screw
18. 93903-35320			7	Tapping screw 5x16
19. 93903-34320			6	Tapping screw 4x12



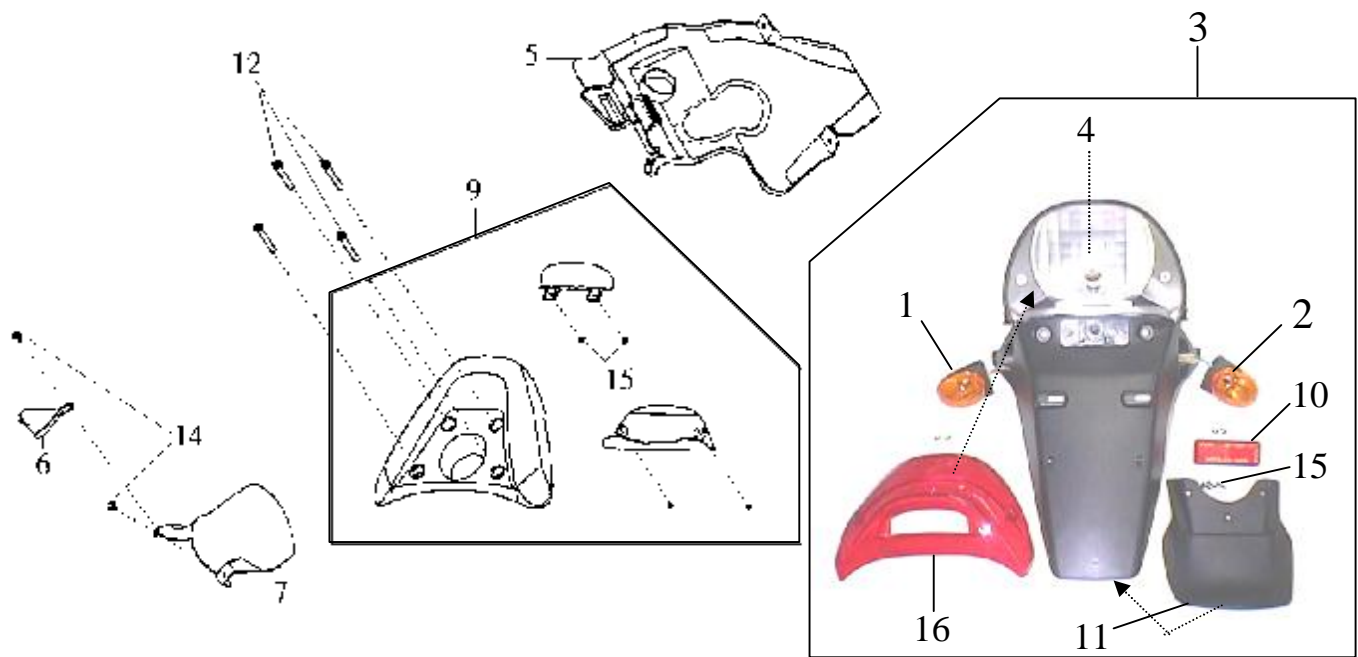
TEAMWORLD IND. 2000



MODEL(S)	CHANGE DATE	A P P L Y	Q T Y R E Q	DESCRIPTION	
HS12W-6(SHARK 125)					
BLOCK NO. .A-3					
PARTS NUMBER					
1. 75581-M9Q-000	Oct./4.2000	Y	1	Lock key set spring	
2. 77236-T53-000			1	Seat lock washer	
3. 77239-T53-000			1	Key seat lock	
5. 80151-H3A-000-KA(BK-001U)			1	(Cancel)	Center cover
80151-H3A-000-GK			1		
7. 8350G-H3A-000-CO(BU-4035S)	Sep./11.2002		1	BLUE R. body cover ass'y	
8350G-H3A-000-NS(GN-4826S)			1	GREEN R. body cover ass'y	
8350G-H3A-000-RT(R-010CA)			1	RED R. body cover ass'y	
8. 83520-H3A-800-SQ(S880S)	Sep./11.2002		1	SILVER R. side cover	
9. 8360G-H3A-000-CO(BU-4035S)			1	BLUE L. body cover ass'y	
8360G-H3A-000-NS(GN-4826S)			1	GREEN L. body cover ass'y	
8360G-H3A-000-RT(R-010CA)	1	RED L. body cover ass'y			
10. 83620-H3A-800-SQ(S880S)	Sep./11.2002		1	SILVER L. side cover	
11. 83750-H3A-000-CO(BU-4035S)			1	BLUE RR. Center UP cover	
83750-H3A-000-NS(GN-4826S)			1	GREEN RR. Center UP cover	
83750-H3A-000-RT(R-010CA)	1	RED RR. Center UP cover			
12. 90302-SA4-003			2	Spring nut 4mm	
13. 93903-34320			8	Tapping screw 4x12	
14. 90305-M9Q-000			1	Clip nut 6mm	
15. 90677-GR1-003			2	Clip nut 5mm	
16. 93891-05016-07			6	Washer screw 5x16	
17. 87126-H3A-000			1	Body cover emblem	
18. 87127-H3A-000-T1			1	Body cover stripe type 1	
19. 87122-G22-000-T1			1	SYM stripe (194mm)	



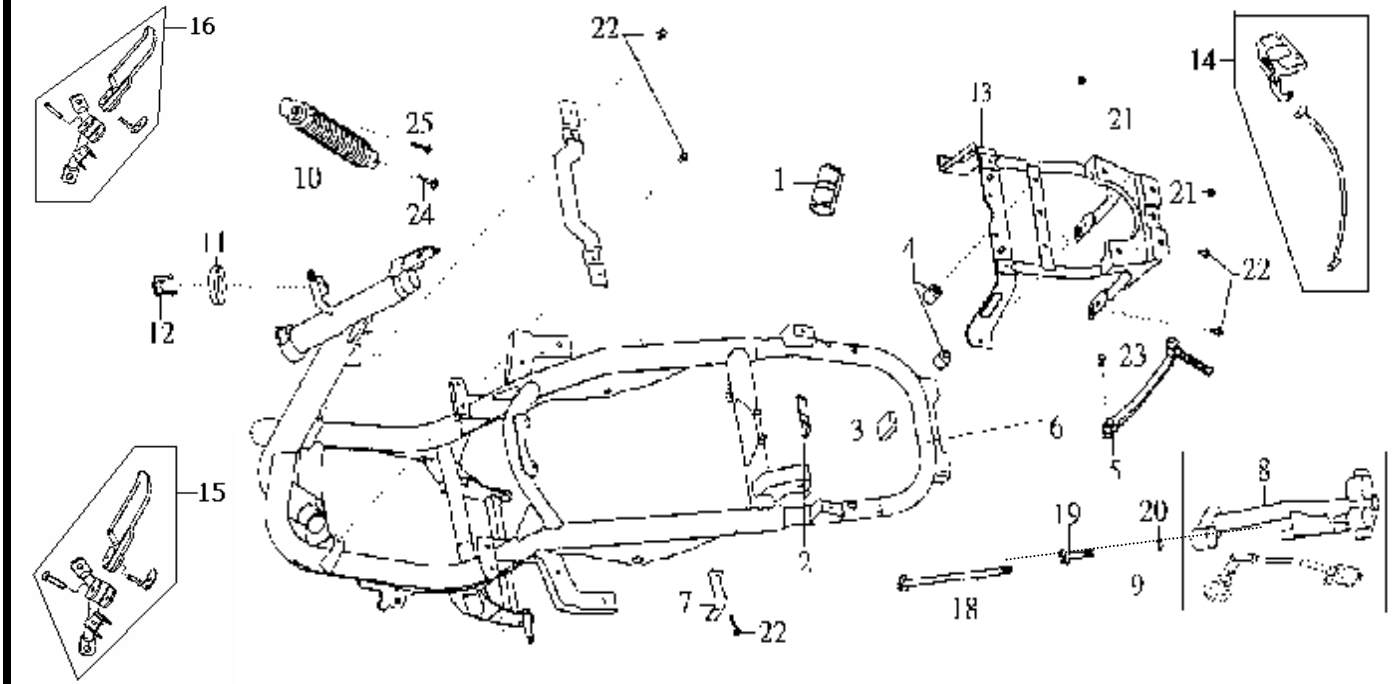
F16 Tail Light Rear Carrier



MODEL(S)	CHANGE DATE	APPLY	QTY	REQ	DESCRIPTION
HS12W-6(SHARK 125)					
BLOCK NO. .A-1					
PARTS NUMBER					
1. 33600-H3A-000			1		RR. R. winker assy
2. 33650-H3A-000			1		RR. L. winker assy
3. 3370A-H3A-010			1		RR. Light assy
4. 34906-E69-000			1		Tail light bulb12V P21/5W
5. 80105-H3A-000-KA (BK-001U)			1		RR. Inner fender assy
6. 80103-H3A-000			1		RR. Mudguard stay
7. 80107-H3A-000-KA (BK-001U)			1		RR. mudguard
9. 8120A-H3A-000-CO(BU-4035S)			1	BLUE	RR. Carrier assy
8120A-H3A-000-NS(GN-4826S)			1	GREEN	RR. Carrier assy
8120A-H3A-000-RT(R-010CA)			1	RED	RR. Carrier assy
10. 33741-H3A-000			1		RR. Reflex reflector
11. 84702-H3A-000			1		Number plate B
12. 90185-M3F-000			4		Socket bolt 8x45
13. 93404-06012-08			7		Washer bolt 6x12
14. 93891-06016-07			2		Washer screw 6x16
15. 93903-34380			7		Tapping screw 4x12
16. 33702-H3A-000			1		Tail light lens

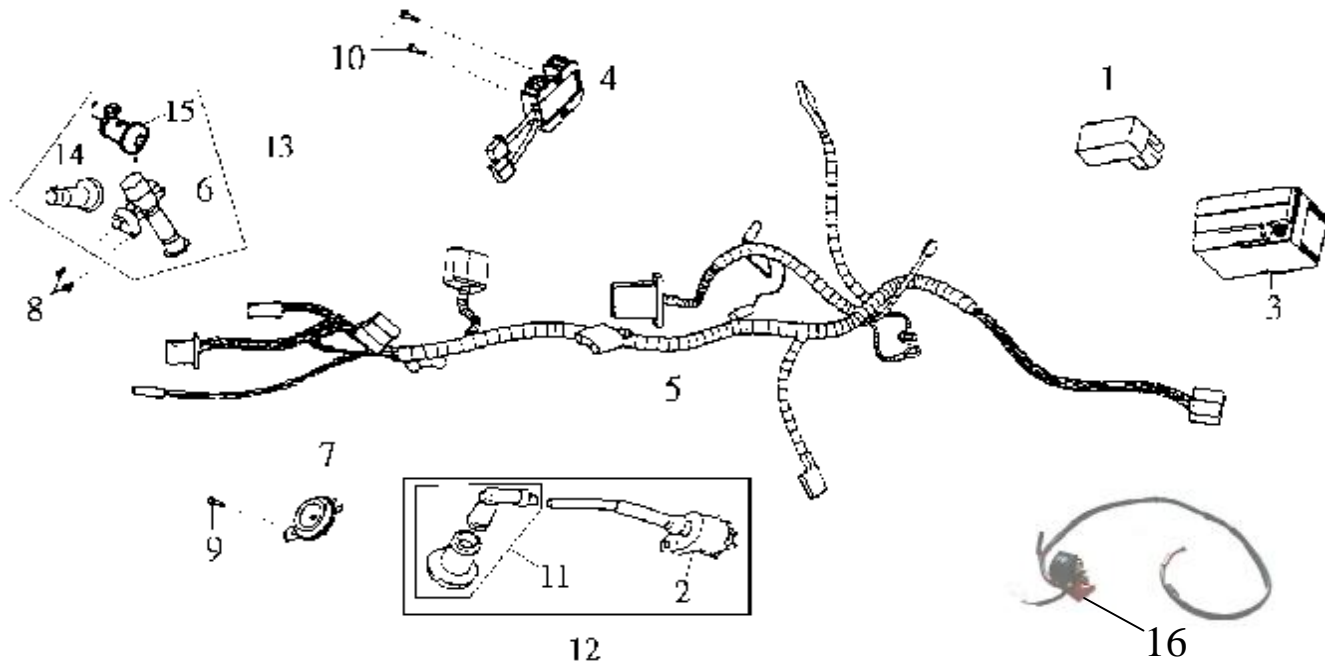


TEAMWORLD IND. 2000



MODEL(S)	CHANGE DATE	A P P L Y	Q T Y R E Q	DESCRIPTION
BLOCK NO. .A-3				
PARTS NUMBER				
1. 17621-H3A-000			2	Fuel tank pad rubber A
2. 17623-H3A-000			1	Fuel tank pad rubber B
3. 17624-H3A-000			1	Fuel tank sponge
4. 17625-H3A-000			2	Fuel tank pad rubber
5. 28300-H01-000			1	Kick starter assy
6. 50100-H3A-010			1	Frame body comp
50100-H3A-021	Jun./27.2002	N	1	
7. 50345-H3A-000			1	L. cover duct stay
8. 50350-H3A-000			1	ENG. Hanger comp
9. 5035A-H3A-000			1	ENG. Hanger assy
10. 52400-H3A-000			1	RR. Cushion comp
52400-H3A-600			1	RR. Cushion comp
11. 64306-H12-020			1	Inner box sponge
12. 64307-M9Q-800			1	Pipe end cap
13. 81202-H3A-000	May.2.2001		1	RR. Carrier bracket
14. 77230-H3A-000			1	Seat catch assy
15. 50710-H3A-800	Jun./27.2002		1	R.pillion step assy
16. 50720-H3A-800	Jun./27.2002		1	L.pillion step assy
18. 90105-H6B-900			1	Flange bolt 10x204
19. 90106-M9Q-000			2	Flange bolt 10x50
20. 90121-M9Q-000			1	Distance collar
21. 94050-06080			4	Flange nut 6mm
22. 95801-06012-08			5	Flange bolt 6x12
23. 95801-06022-07			1	Flange bolt 6x22
24. 95801-08032-08			1	Flange bolt 8x32
25. 95801-10040-08			1	Flange bolt 10x40

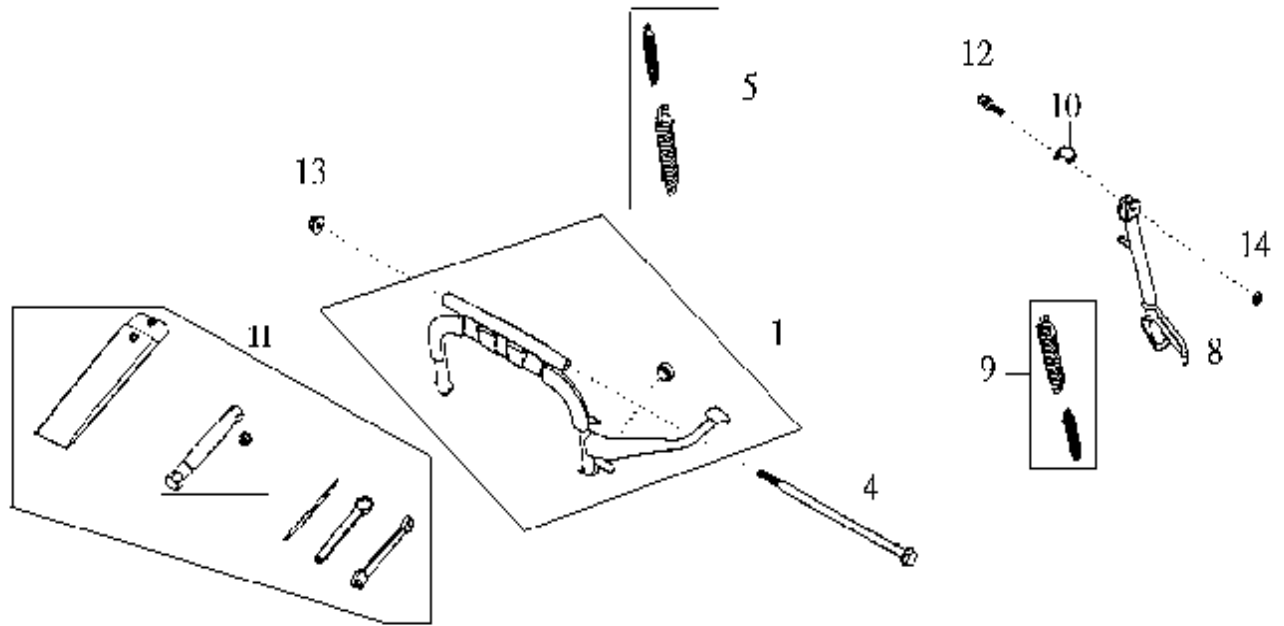
F18 Wire Harness



MODEL(S) HS12W-6(SHARK 125)		A	Q	
BLOCK NO. .A-3	CHANGE DATE	P	T	
PARTS NUMBER		L	Y	DESCRIPTION
		Y	R	
			E	
			Q	
1. 30410-M70-000			1	<i>(Error)</i> C.D.I. Unit assy
30410-M92-000	Sep./29.2000	N	1	<i>(Revised)</i> C.D.I. Unit assy
2. 30510-H3A-000			1	I.G.N. coil assy
3. 1Y01KV701-Y			1	Battery assy YTX9-BS
4. 31600-N28-000			1	Reg. Rec. assy
31600-M9Q-000	01/12/2004	N		
5. 32100-H3A-000			1	Wire harness
6. 35100-H3A-000			1	Comp & lock SW. assy
7. 38110-H3A-000	Jul./20.2000	Y	1	<i>(Revised)</i> Horn comp
8. 90164-X01-000			2	Flat lock screw 6x12
9. 95801-08012-08			1	Flange bolt 8x12
10. 95801-06012-08			2	Flange bolt 6x12
11. 30700-M92-000			1	Spark plug cap
12. 3051A-H3A-000			1	I. G. N. Coil ass'y
13. 35010-H3A-000			1	Key set
14. 77239-T53-000			1	Key seat lock
15. 77233-M9Q-000			1	Inner box lock
16. 3585A-H3A-010			1	Star mag. Switch set



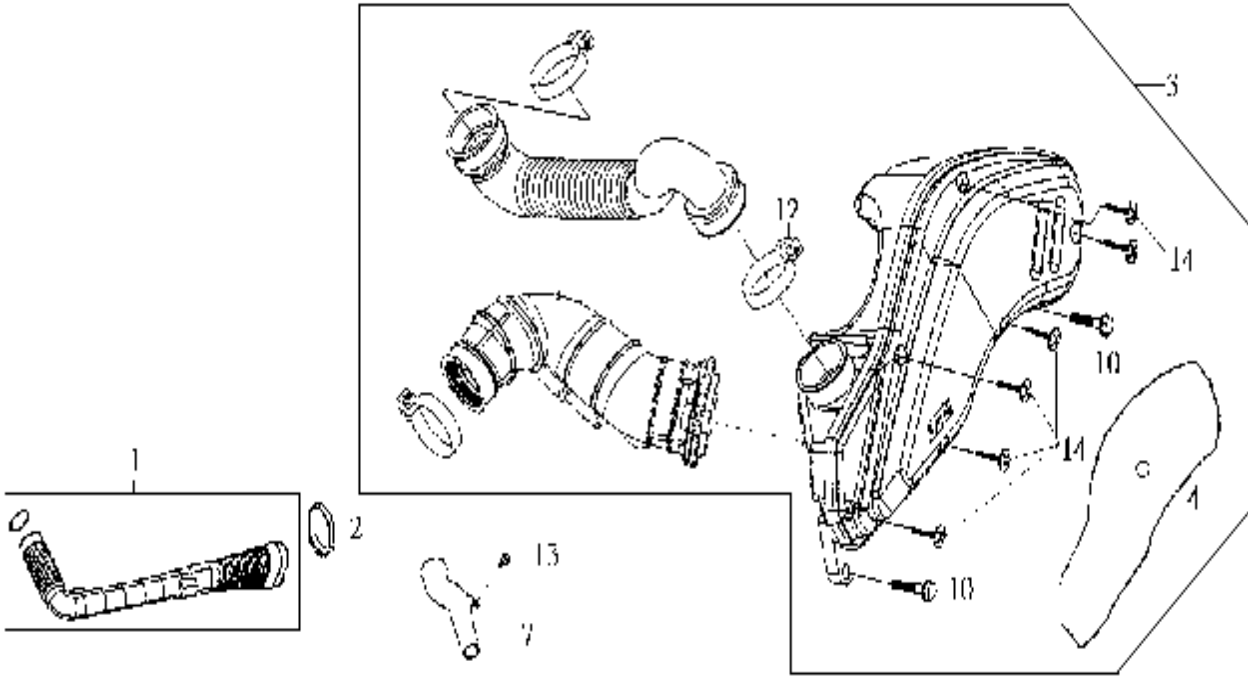
TEAMWORLD IND. 2000



MODEL(S) HS12W-6(SHARK 125)		A P P L Y	Q T Y R E Q	
BLOCK NO. .A-1 PARTS NUMBER	CHANGE DATE			DESCRIPTION
1. 5050A-H3A-000			1	Main stand assy
5050A-H3A-600			1	Main stand assy
3. 50505-M92-010			1	Main stand stop rubber
4. 50512-H6B-000			1	Main stand pivot bolt
5. 5052A-X07-980			1	Main stand spring assy
8. 50530-H3A-000			1	Side stand comp
50530-H3A-600			1	Side stand comp
9. 5053A-M70-000			1	Side stand spring assy
10. 50542-M70-000			1	Spring plate hook
11. 89010-M92-000			1	Tool set
12. 90108-G03-000			1	Side stand pivot screw
13. 90304-M9Q-000			1	Flange U nut 10mm
14. 90309-M9Q-000-M2			1	Flange U nut 8mm



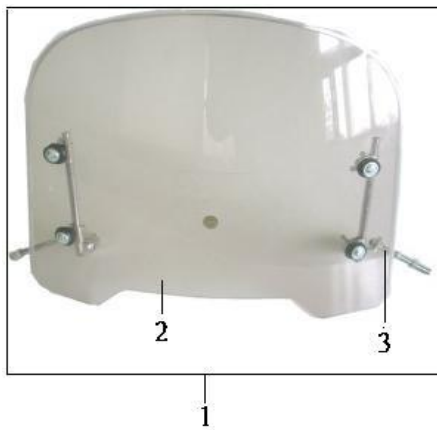
F20 Air Cleaner



MODEL(S) HS12W-6(SHARK 125)		A	Q	
BLOCK NO. .A-2	CHANGE DATE	P	T	
PARTS NUMBER		L	R	DESCRIPTION
1. 1134B-H3A-000			1	L. cover duct assy
2. 11346-M9Q-000			1	L. cover duct band
3. 17200-H3A-000			1	Air cleaner assy
4. 17211-H3A-000			1	Air cleaner element comp
7. 1724A-H3A-000			1	Air cleaner inlet chamber assy
10. 90114-V02-000			2	Flange bolt 6x25
95701-06025-07	Aug./20.2001	Y		
13. 93404-06016-08			1	Washer bolt 6x16
14. 93903-25480			6	Tapping screw 5x20



TEAMWORLD IND. 2000



MODEL(S) HS12W-6(SHARK 125)	CHANGE DATE	A P P L Y	Q T Y R E Q	DESCRIPTION
BLOCK NO. A-1 PARTS NUMBER				
1 ZWA-MPCS H3A ZWA-MPCS H3A-TAN (SYM) 2 ZWA-MPCS ZWA-MPCS-TAN 3 WA- FH3A 4 ZWA-M7PC F-H3AA 5 ZWA-M7PC 6 ZWA-FH3AA				1 MPCS Windshield se (Transparent, GISUN brand) 1 MPCS Windshield set(Tan color, SYM brand) 1 MPCS Windshield comp(Transparent, GISUN brand) 1 MPCS Windshield comp(Tan color, SYM brand) 1 Windstand set for MPCS windshield 1 M7 Windshield Set (PC, Tan color) 1 M7 Windshield comp 1 Windstand Set for M7 windshield (Ni-coating)