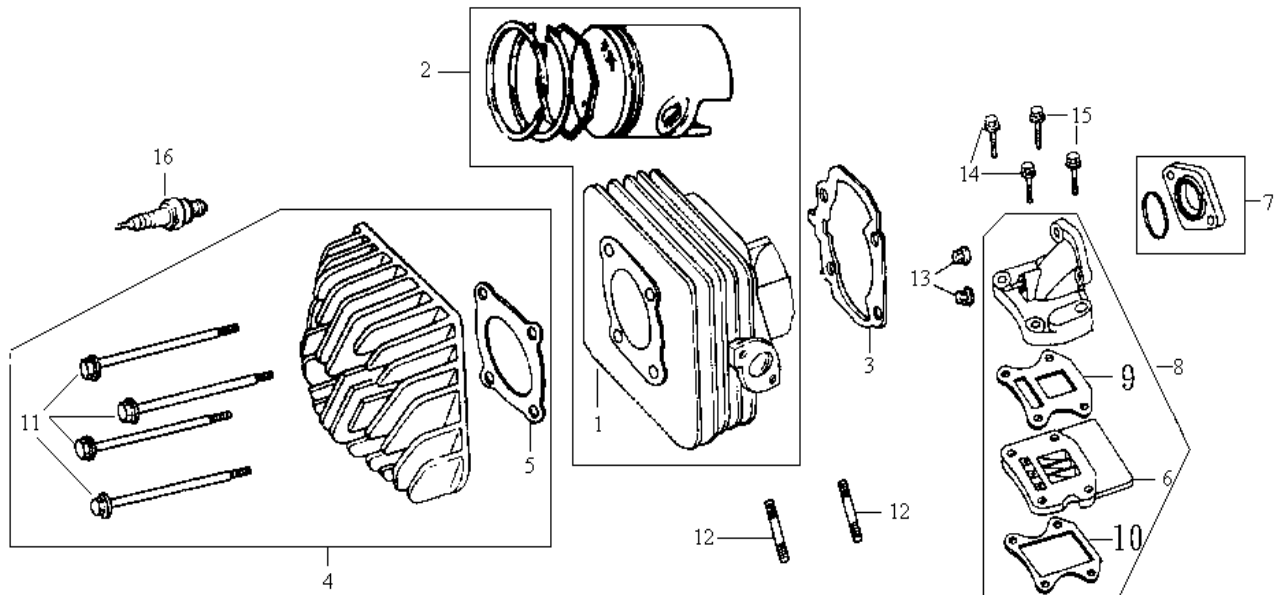
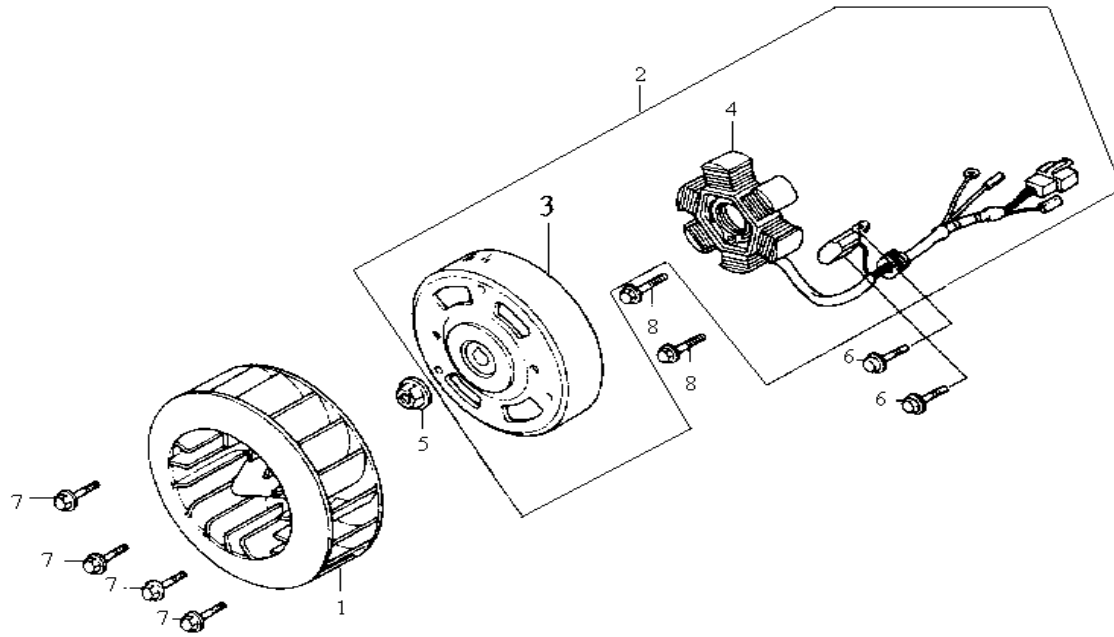


| MODEL(S) BL05W6-6 | CHANGE DATE | A P P L Y | Q T Y R E Q | PARTS NUMBER |
|--|----------------|-----------------------|----------------------------|--|
| BLOCK NO. .A-1 | | | | |
| 1.Fan cover comp 2.Shroud comp 3.Rubber shroud seal 4.Flange bolt SH 6x25 | | | 1 1 1 4 | 19610-T5C-000 19620-T5E-000 19624-GAK-920-H1 96001-06025-00 |

E-02 Cylinder. Cylinder Head

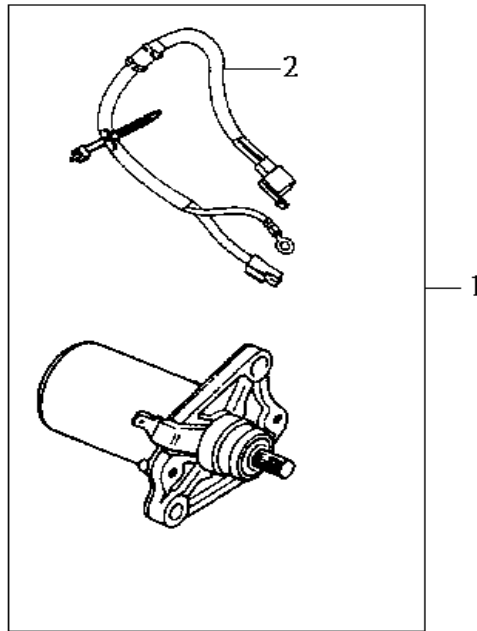


| MODEL(S) | BLOCK NO. .A-1 | CHANGE DATE | A P P L Y | Q T Y R E Q | PARTS NUMBER |
|------------------------------|----------------|-------------|-----------------------|----------------------------|-----------------|
| BL05W6-6 | | | | | |
| DESCRIPTION | | | | | |
| 1.Cylinder. | | | | 1 | 12101-T5C-000 |
| 2.Cylinder.piston. ring set | | | | 1 | 12100-T5C-000-A |
| 3.Cylinder gasket | | | | 1 | 12191-T5C-000 |
| 4.Cylinder head | | | | 1 | 1220A-T5C-000 |
| 5.Cylinder head gasket | | | | 1 | 12251-T5C-000 |
| 6.Read valve comp. | | | | 1 | 14100-P6A-000 |
| 7.Carburetor insulator assy. | | | | 1 | 1621A-GA1-900 |
| 8.Inlet pipe assy | | | | 1 | 1710A-T5E-000 |
| 9.Inlet pipe gasket A | | | | 1 | 17111-P6A-000 |
| 10.Inlet pipe gasket B | | | | 1 | 17112-P6A-000 |
| 11.Flange bolt 7×100 | | | | 4 | 90001-GAK-900 |
| 12.Stud bolt 6×28 | | | | 2 | 92700-06028-1B |
| 13.Flange nut 6mm | | | | 2 | 94050-06000 |
| 14.Flange bolt SH 6×22 | | | | 2 | 96001-06022-00 |
| 15.Flange bolt SH 6×32 | | | | 2 | 96001-06032-00 |
| 16.Spark plug(BR8HSA) | | | | 1 | 1PBR8HSA-3 |

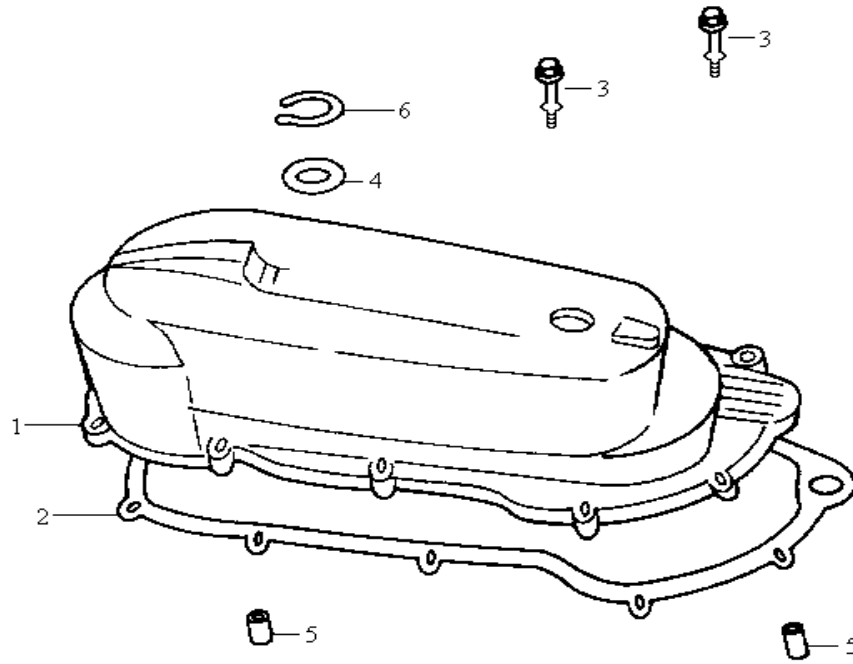


| MODEL(S) BL05W6-6 | | A P P L Y | Q T Y R E Q | |
|--|----------------|-----------------------|--|---|
| BLOCK NO. .A-1 DESCRIPTION | CHANGE DATE | | | PARTS NUMBER |
| 1.Cooling fan comp. 2.A.C.G. assy. 3.Fly wheel comp. 4.Stator comp. 5.Flange nut 10mm 6.Flange bolt SH 6×12 7.Flange bolt SH 6×16 8.Flange bolt SH 6×22 | ##### | N | 1 1 1 1 1 2 4 2 | 19510-GAK-940 31100-T6R-000 31100-T6R-100 31110-T6R-000 31120-T6R-000 94050-10000 96001-06012-00 96001-06016-00 96001-06022-00 |

E-04 Starting Motor

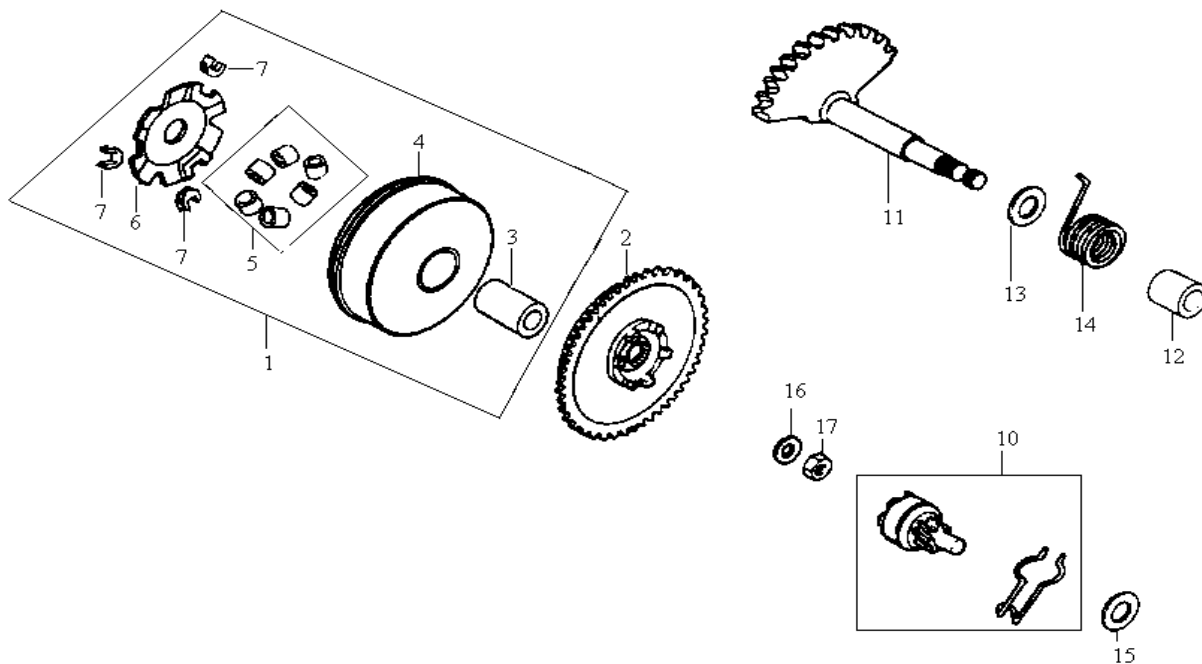


| MODEL(S) BL05W6-6 | CHANGE DATE | A P P L Y | Q T Y R E Q | PARTS NUMBER |
|--|----------------|-----------------------|----------------------------|--------------------------------|
| BLOCK NO. .A-1 DESCRIPTION | | | | |
| 1.Starter motor assy. 2.Sub.harness | | | 1 1 | 31200-T5C-000 32105-GAK-900 |



| MODEL(S) BL05W6-6 | CHANGE DATE | A P P L Y | Q T Y R E Q | PARTS NUMBER |
|-----------------------------------|----------------|-----------------------|----------------------------|---------------|
| BLOCK NO. .A-1 DESCRIPTION | | | | |
| 1.L side cover | | | 1 | 11340-T52-000 |
| 2.L cover gasket | | | 1 | 11395-T52-000 |
| 3.Special bolt 6×28 | | | 9 | 9000A-F01-000 |
| 4.Kick spindle washer | | | 1 | 90451-GN2-600 |
| 5.Dowel pin 10×20 | | | 2 | 94301-10200 |
| 6.EX. cir clip 14mm | | | 1 | 94511-14000 |

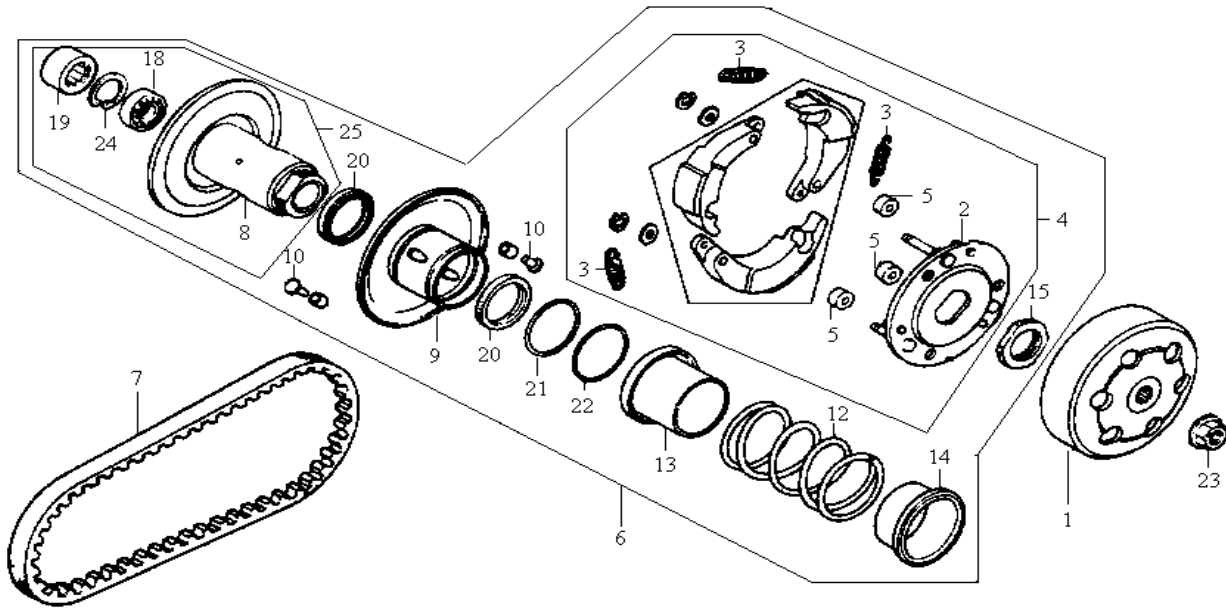
E-06 Drive Kick Starter



| MODEL(S) BL05W6-6 | | A P P L Y | Q T Y R E Q | |
|-------------------------------|----------------|-----------------------|----------------------------|---------|
| BLOCK NO..A-1 | CHANGE DATE | | | |
| DESCRIPTION | | | | |
| 1.Movable drive face assy. | | | 1 | |
| 2.Drive face | | | 1 | |
| 3.Drive face boss | | | 1 | |
| 4.Movable drive face comp. | | | 1 | REVISED |
| 5.Weight roller comp. 7.5GR | | | 6 | |
| 6.Ramp plate | | | 1 | |
| 7.Slide piece | | | 3 | |
| | ##### | Y | | |
| 10.Kick driven gear assy. | | | 1 | |
| 11.Kick starter spindle comp. | | | 1 | |
| 12.Kick spindle bush | | | 1 | |
| | ##### | Y | | |
| 13.Kick boss collar | | | 1 | |
| 14.Kick return spring | | | 1 | |
| 15.Thrust washer 10mm | | | 1 | |
| | ##### | Y | | |
| 16.Special washer 12mm | | | 1 | |
| 17.HEX. nut 12mm | | | 1 | |



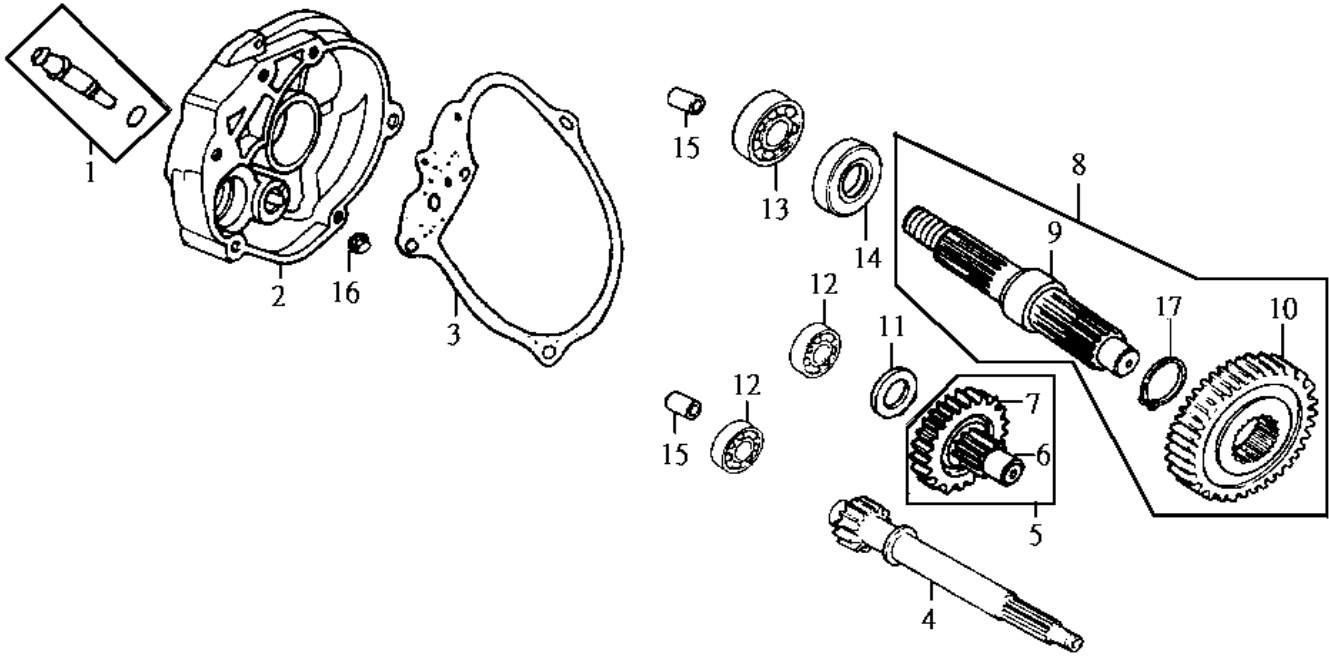
TEAMWORLD IND. 2003



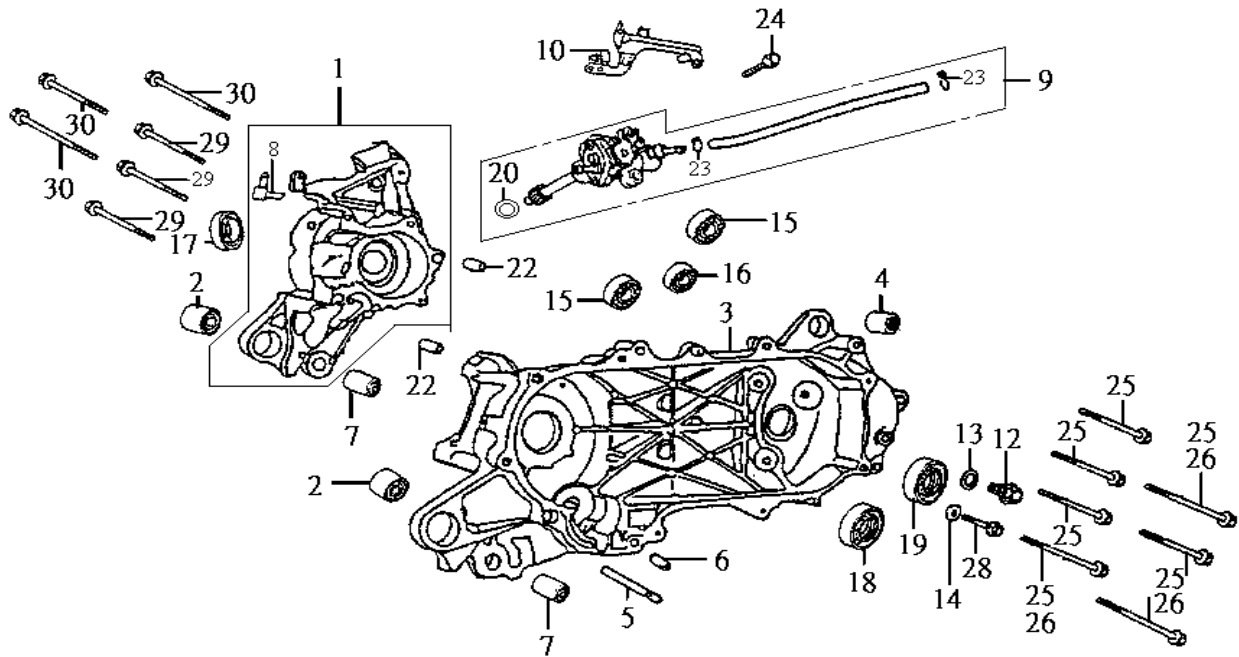
| MODEL(S) | | A | Q | |
|----------------------------|------------|---|---|----------------------|
| BL05W6-6 | | P | T | |
| BLOCK NO..A-1 | CHANGE | P | Y | |
| DESCRIPTION | DATE | L | R | |
| | | Y | E | PARTS NUMBER |
| | | | Q | |
| 1.Clutch outer | | | 1 | 22100-M7Q-000 |
| 2.Drive plate assy. | | | 1 | 22350-M7Q-000 |
| 3.Clutch spring | | | 3 | 22401-TAA-000 |
| 4.Drive plate assy | | | 1 | 22300-TAA-000 |
| 5.Clutch damper rubber | | | 1 | 22804-A3A-000 |
| 6.Driven pulley assy | | | 1 | 23010-T5T-000 |
| 7.Drive belt | | | 1 | 1B01T5201 |
| 8.Face comp. driven | | | 1 | 23210-M7Q-000 |
| 9.Movable driven face comp | | | 1 | 23220-TAA-000 |
| 10.Guide pin | 15/11/2004 | | 3 | 23225-M7Q-000 |
| 12.Driven face spring | | | 1 | 23233-M7Q-000 |
| 13.Seal collar | | | 1 | 23237-T3F-000 |
| 14.Spring collar | | | 1 | 23238-M9Q-000 |
| 15.Special nut 28mm | | | 1 | 90202-M7Q-000 |
| 18.Radial ball BRG.6901U | | | 1 | 91001-GW0-901-E1 |
| 19.Needle BRG.17×25×18ws | | | 1 | 91103-M7Q-000 |
| 20.Oil seal 34×39×3 | ##### | Y | 2 | 91211-A3A-000 |
| | | | | 91211-M7Q-000 |
| 21.O-ring 36×1.5 | | | 1 | 91305-M7Q-000 |
| 22.O-ring 39.8×2.2 | | | 1 | 91302-A3A-000 |
| 23.Flange nut 10mm | | | 1 | 94050-10000 |
| 24.Cir clip IN 24 | | | 1 | 94520-24000 |
| 25.Face assy. driven | | | 1 | 23200-M7Q-000 |



E-08 Transmission



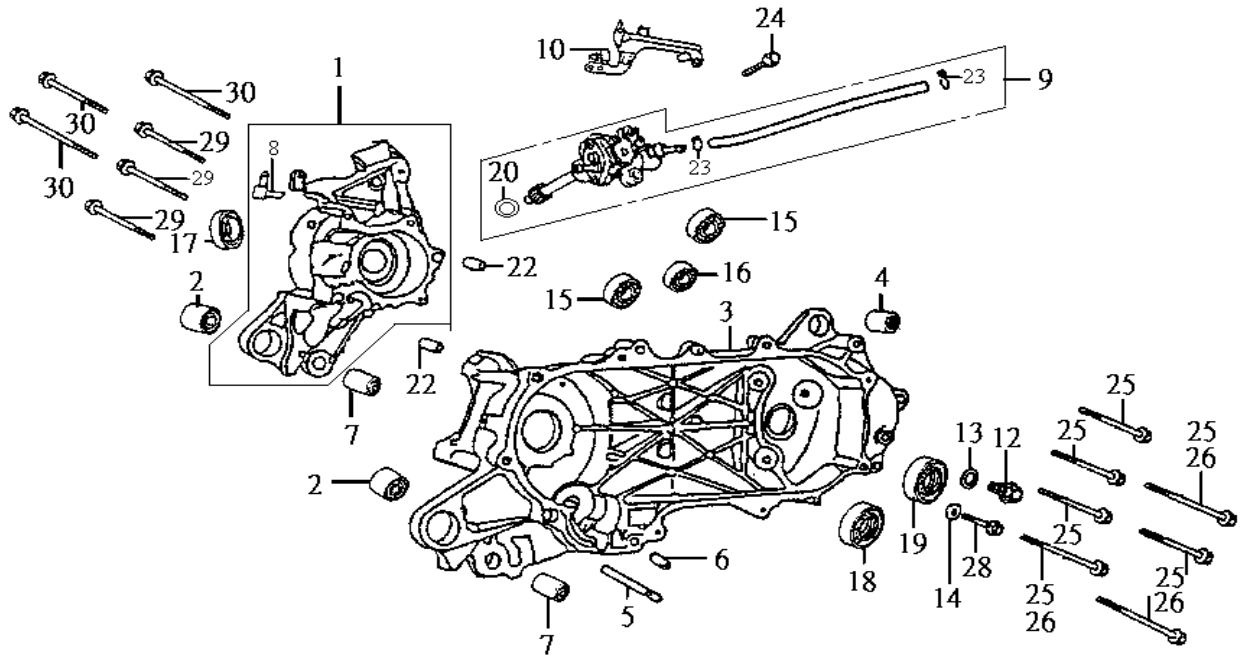
| MODEL(S) | | A | Q | |
|-----------------------------|--------|---|---|--------------------|
| BL05W6-6 | | P | T | |
| BLOCK NO..A-1 | CHANGE | P | Y | |
| DESCRIPTION | DATE | L | R | PARTS NUMBER |
| | | Y | E | |
| | | | Q | |
| 1.Brk. shoe anchor pin assy | | | 1 | 11203-KG8-300 |
| 2.Mission case comp | | | 1 | 21200-GAK-900 |
| 3.Mission case gasket | | | 1 | 21395-KBN-900 |
| 4.Drive shaft | | | 1 | 23411-T52-000 |
| 5.Counter shaft comp | | | 1 | 23420-T52-000 |
| 6.Counter shaft | | | 1 | 23421-T52-000 |
| 7.Counter gear | | | 1 | 23422-T52-000-H1 |
| 8.Final shaft assy | | | 1 | 2343A-T52-000 |
| 9.Final shaft | | | 1 | 23431-KBN-900 |
| 10.Final gear | | | 1 | 23432-T52-000 |
| 11.Side washer 12mm | | | 1 | 90429-KBN-900 |
| 12.Radial ball brg.6201 | | | 2 | 91004-KN2-901 |
| 13.Radial ball brg.6004UU | | | 1 | 91009-GE0-003-M1 |
| 14.Oil seal 27×42×7 | | | 1 | 91255-GE0-003 |
| 15.Doewl pin 10×20 | | | 2 | 94301-10200 |
| 16.Flange nut 8mm | | | 1 | 94050-08000 |
| 17.Circlip ex.20 | | | 2 | 94510-20000 |



| MODEL(S) | | A | Q | |
|-------------------------------|------------|---|---|------------------|
| BL05W6-6 | | P | T | |
| BLOCK NO. .A-1 | CHANGE | L | Y | |
| DESCRIPTION | DATE | Y | R | PARTS NUMBER |
| | | | E | |
| | | | Q | |
| 1. R.crank case body | | | 1 | 11100-T5C-000 |
| 2. ENG.hanger rub.bush | | | 2 | 11102-M9Q-300 |
| 3. L.crank case body | | | 1 | 11200-T5C-000 |
| 4. R.R.cush .und.rub.bush | | | 1 | 11203-M9Q-300 |
| 5. Pin.spg.hook | | | 1 | 11204-KBN-900 |
| 6. Bush 8×12×8 | | | 1 | 11205-M7Q-300 |
| 7. Bush, M stand | | | 2 | 11205-KBN-900-H1 |
| 8. Pulse joint comp | | | 1 | 11206-M7Q-300 |
| 9. Oil pump assy | | | 1 | 1510A-T5E-000 |
| 10.Oil pump set plate comp | | | 1 | 15110-T5C-000 |
| 12.Oil level check bolt | | | 1 | 90035-KZ1-000 |
| 13.Plain washer 10.2mm | 15/11/2004 | | 1 | 90481-705-000 |
| 14.Washer A 8mm | | | 1 | 90488-700-000 |
| 15.Ball brg.6203(TMB) | | | 2 | 91004-KBN-921-M1 |
| 16.Radial ball brg.6201 | | | 1 | 91004-KN2-901 |
| 17.Oil seal assy. 15.6×25.5×7 | | | 1 | 91201-F01-000 |
| 18.Oil seal assy.20×31×7 | | | 1 | 91202-F01-000 |
| 19.Oil seal 17×30×6 | | | 1 | 91204-KBN-901-M1 |



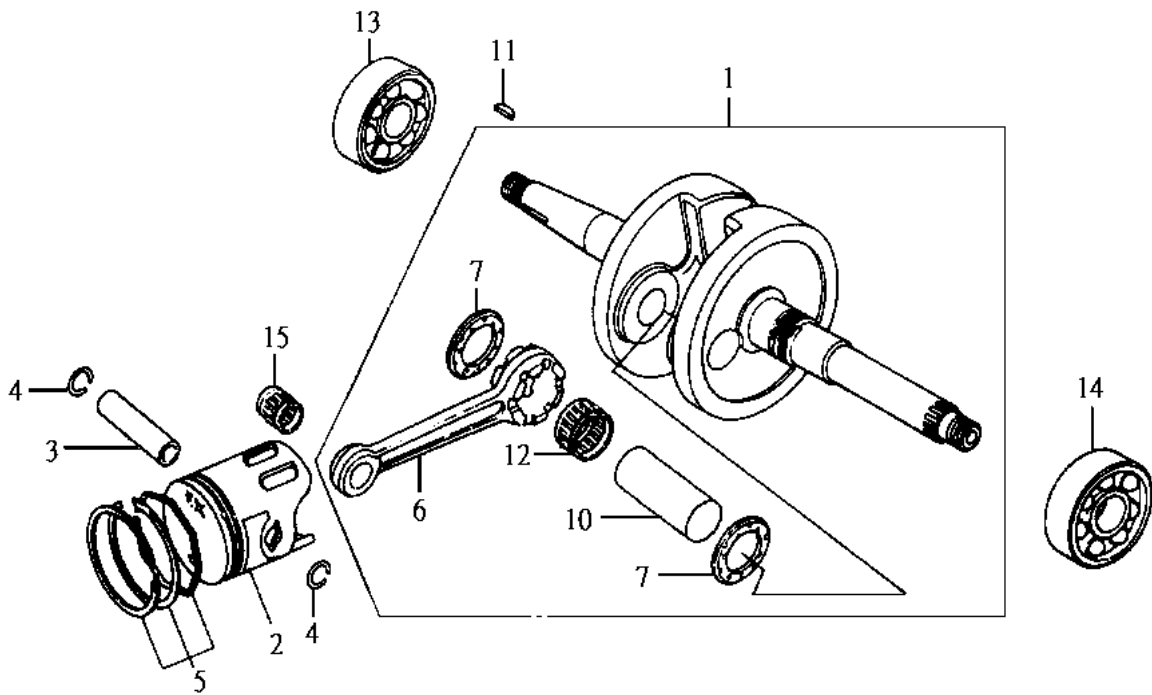
E-09-1 Crank Case



| MODEL(S) | CHANGE DATE | A P P L Y | Q T Y R E Q | PARTS NUMBER |
|------------------------|-------------|-----------------------|----------------------------|----------------|
| BL05W6-6 | | | | |
| DESCRIPTION | | | | |
| 20.O-ring 18.3x2.3 | | | 1 | 91301-166-000 |
| 22.Dowel pin 10x20 | | | 2 | 94301-10200 |
| 23.Tube clip B6.5 | | | 2 | 95002-02650-0A |
| 24.Flange bolt 8x12 | | | 1 | 95701-08012-00 |
| 25.Flange bolt 8x35 | | | 2 | 95701-08035-00 |
| 26.Flange bolt 8x40 | | | 5 | 95701-08040-00 |
| 28.Flange bolt SH 6x32 | | | 1 | 96001-06032-00 |
| 29.Flange bolt SH 6x45 | | | 3 | 96001-06045-00 |
| 30.Flange bolt SH 6x55 | | | 3 | 96001-06055-00 |

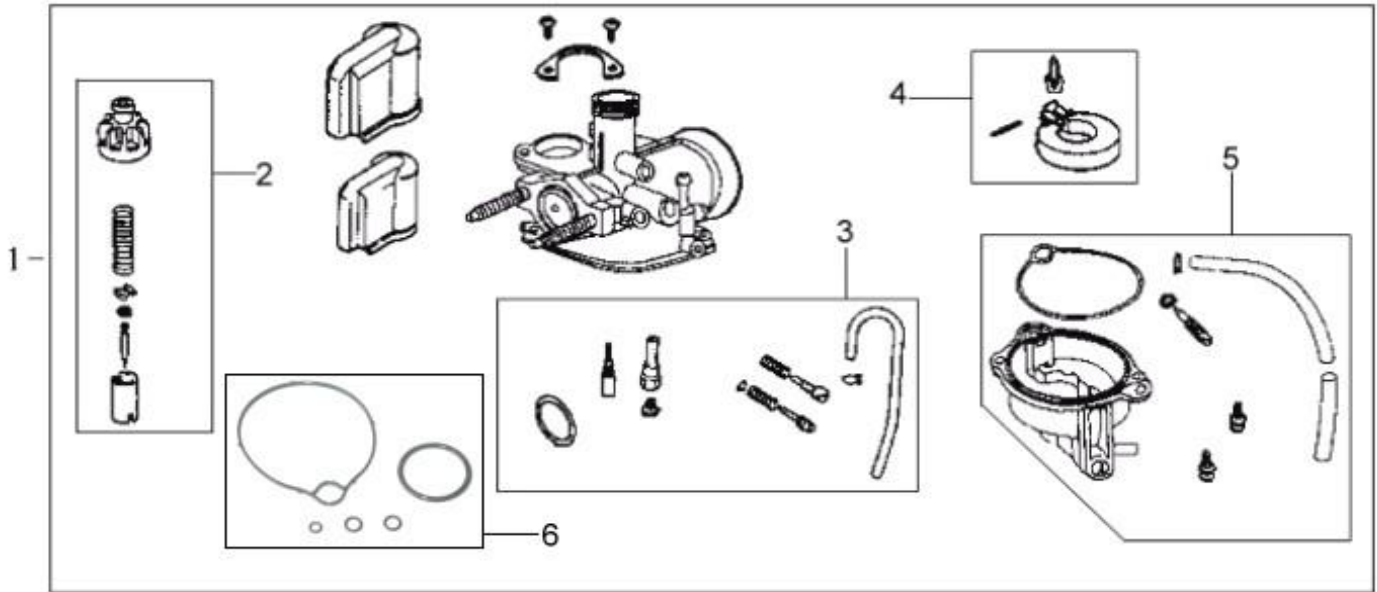


TEAMWORLD IND. 2003



| MODEL(S) | CHANGE DATE | A P P L Y | Q T Y R E Q | PARTS NUMBER |
|---------------------------------|---------------|-----------------------|----------------------------|------------------|
| BL05W6-6 | | | | |
| DESCRIPTION | BLOCK NO..A-1 | | | |
| 1.Crank shaft comp. | | | 1 | 13000-T52-000 |
| 2.Piston | | | 1 | 13101-T5C-000 |
| 3.Piston pin | | | 1 | 13111-M7Q-000 |
| 4.Piston pin clip 12mm | | | 2 | 13115-M7Q-000 |
| 5.Piston ring set | | | 1 | 13010-M7Q-000 |
| 6.Conn rod | | | 1 | 13201-M7Q-300 |
| 7.Connecting rod side plate | | | 2 | 13202-M7Q-300 |
| 10.Crank pin | | | 1 | 13381-M7Q-300 |
| 11.Woodruff key | | | 1 | 90741-M7Q-000 |
| 12.BRG.con-rod big end | | | 1 | 91001-M6Q-000 |
| 13.Ball radial special BRG.6204 | | | 1 | 91001-GW0-901-E1 |
| 14.BRG.ball radial 25x56x12 | | | 1 | 91006-E62-000 |
| 15.BRG. con-rod S.E | | | 1 | 91102-M7Q-000 |

E-11 Carburetor



| MODEL(S) BL05W6-6 | | A P P L Y | Q T Y R E Q | |
|----------------------|----------------|-----------------------|----------------------------|------------------|
| BLOCK NO. .A-1 | CHANGE DATE | | | |
| PARTS NUMBER | | | | DESCRIPTION |
| 1. 16100-T6V-900 | | | 1 | Carburetor assy. |
| 2. T6V-1 | | | | Needle fix set |
| 3. T6V-2 | | | | Screw fix set |
| 4. T6V-3 | | | | Float fix set |
| 5. T6V-4 | | | | F.C.B fix set |
| 6. T6V-5 | | | | Gasket fix set |