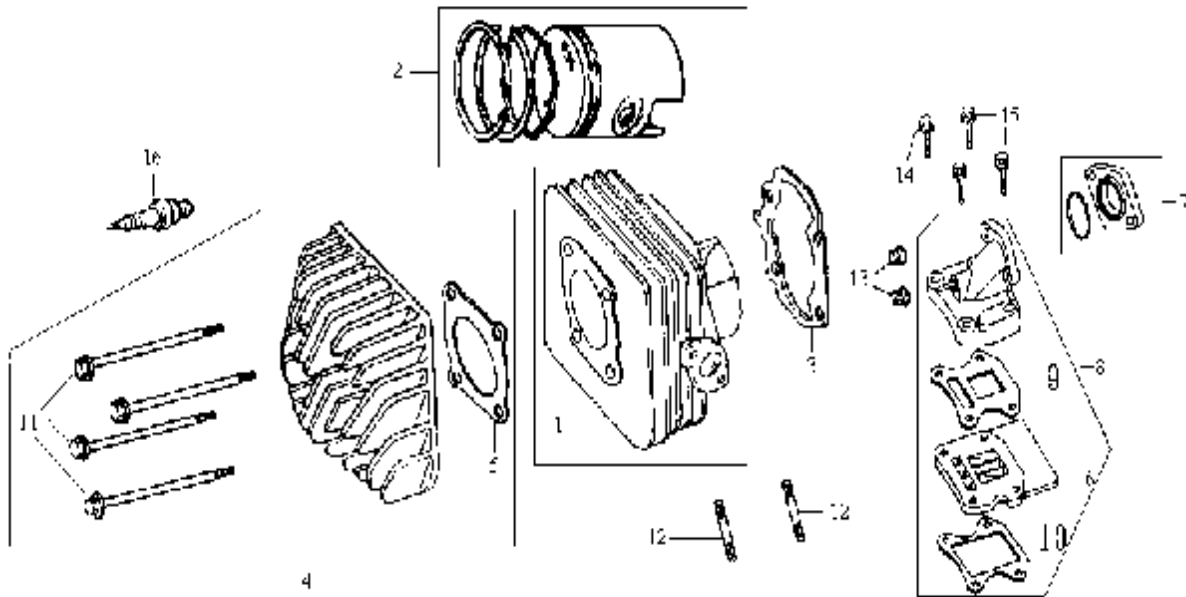
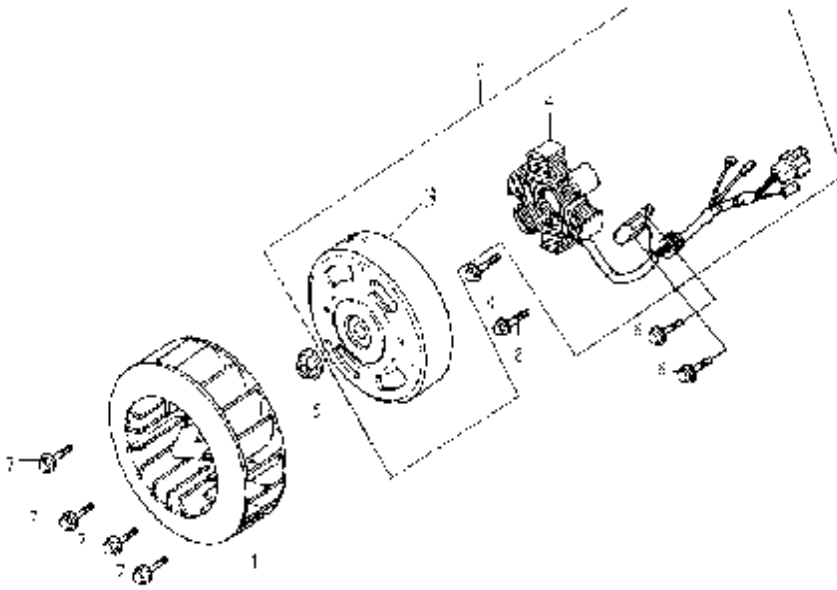


MODEL(S) BF05W-6(MASK)		A P P L Y	Q T Y R E Q	
BLOCK NO.A-1	CHANGE DATE			DESCRIPTION
PARTS NUMBER				
1 19610-T5C-000			1	FAN COVER COMP
2 19620-T5C-000			1	SHRUD COMP
6 96001-06025-00			4	FLANGE BLOT SH 6x25



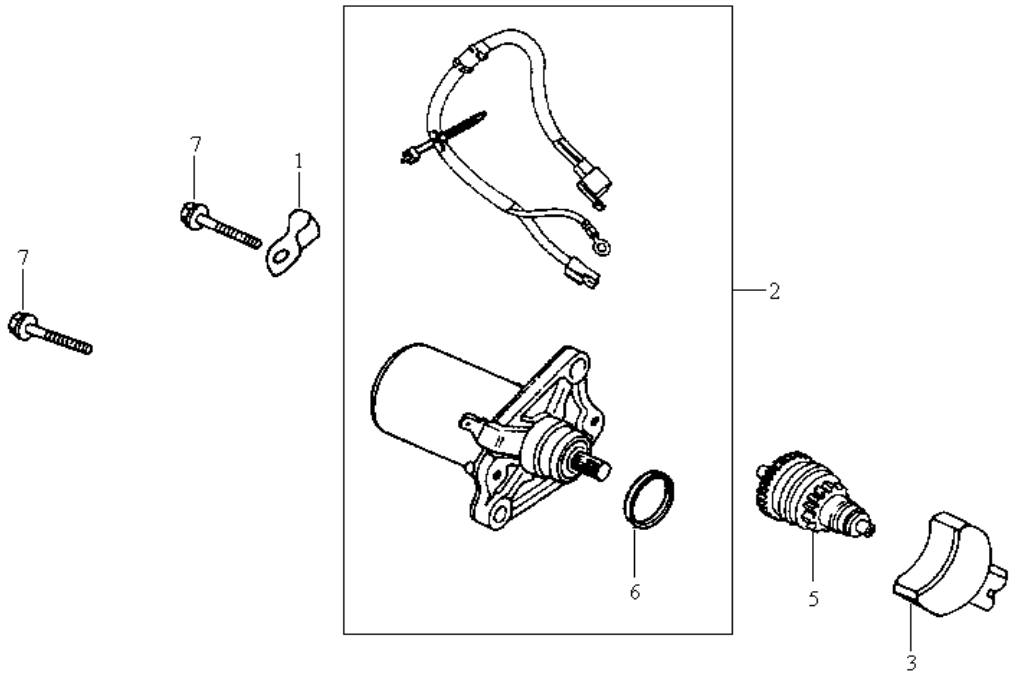


MODEL(S) BF05W-6(MASK)	CHANGE	A	Q	DESCRIPTION
BLOCK NO.A-1	DATE	P	T	
PARTS NUMBER		L	R	
1 12101-T5C-000			1	CYLINDER
2 12100-T5C-000-A			1	CYLINDER + PISTON + RING SET
3 12191-T5C-000			1	CYLINDER GASKET
4 1220A-T5C-000			1	CYLINDER HEAD
5 12251-T5C-000			1	CYLINDER HEAD GASKET
6 14100-P6A-000			1	READ VALVE COMP
7 1621A-GA1-900			1	CARBURETOR INSULATOR ASSY
8 1710A-T5C-010			1	INLET PIPE COMP
1710A-T5E-000	Jun./24.2002			
9 17111-P6A-000			1	INLET PIPE GASKET A
10 17112-P6A-000			1	INLET PIPE GASKET B
11 90001-GAK-900			4	FLANGE BOLT 7×100
12 92700-06028-1B			2	STUD BOLT 6×28
13 94050-06000			2	FLANGE NUT 6MM
14 96001-06022-00			2	FLANGE BOLT SH 6×22
15 96001-06032-00			2	FLANGE BOLT SH 6×32
16 1PBR8HSA-3			1	SPARK PLUG(BR8HSA)

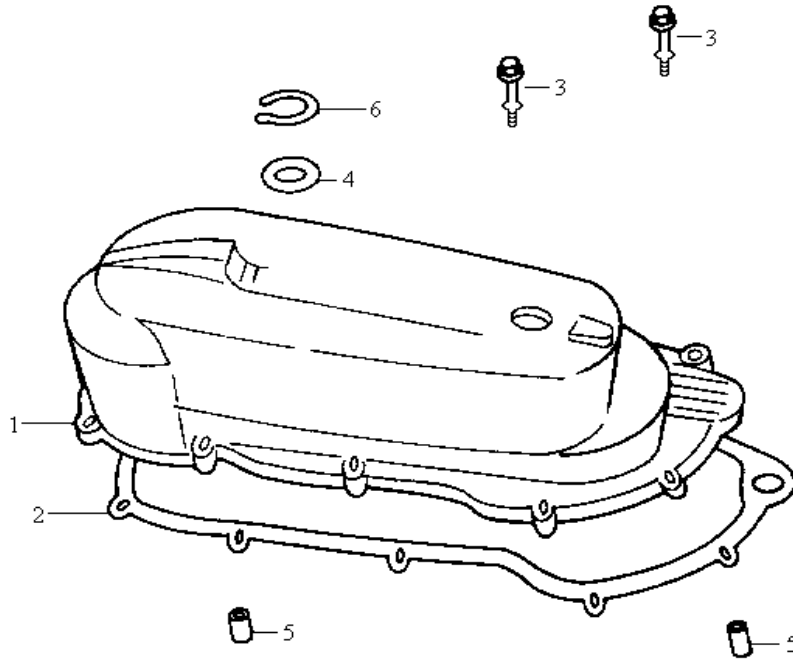


MODEL(S) BF05W-6(MASK)	CHANGE	A	Q	
BLOCK NO.A-1	DATE	P	T	
PARTS NUMBER		P	Y	DESCRIPTION
1 19510-GAK-940			1	COOLING FAN COMP
2 31100-T5C-000			1	A.C.G. ASSY
3 31110-GAK-920			1	FLYWHEEL COMP
4 31120-T5C-000			1	STATOR COMP
5 94050-10000			1	FLANGE NUT 10MM
6 96001-06012-00			2	FLANGE BOLT SH 6×12
7 96001-06016-00			4	FLANGE BOLT SH 6×16
8 96001-06022-00			2	FLANGE BOLT SH 6×22



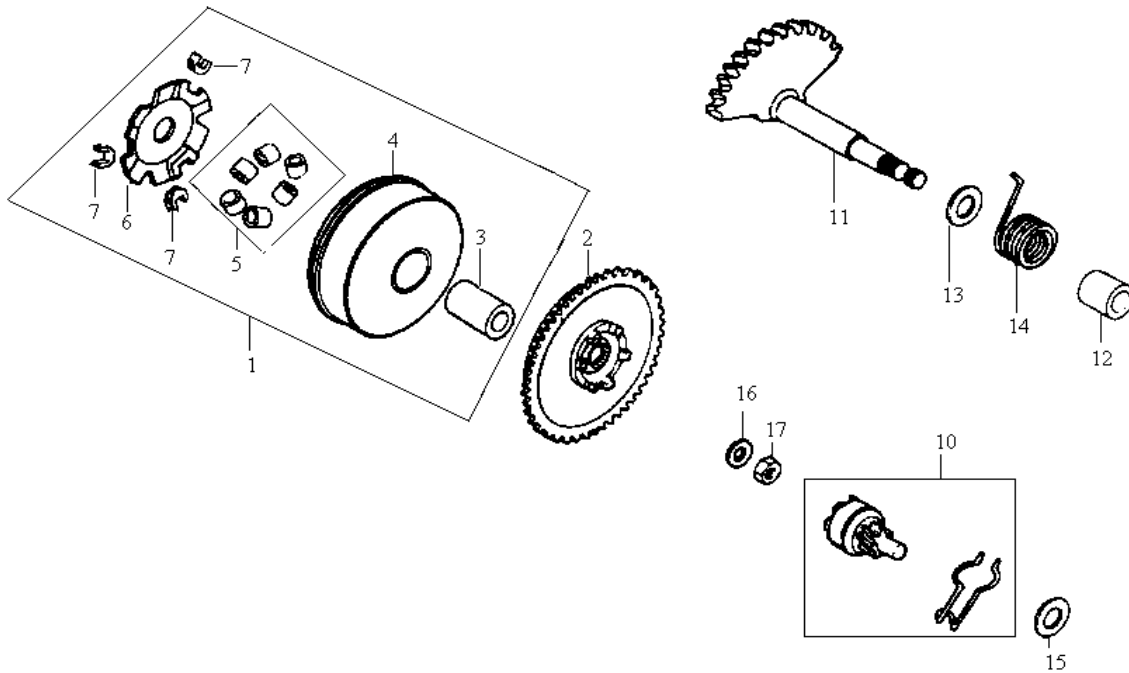


MODEL(S) BF05W-6(MASK)	CHANGE DATE	A P P L Y	Q T Y R E Q	DESCRIPTION
BLOCK NO.A-1 PARTS NUMBER	DATE			
1 11208-GAK-900			1	CARB DRAIN CALMPER
2 31200-GAK-900			1	STARTER MOTOR ASSY
3 31203-GAK-900			1	HOLDER COMP STARTER PINION
5 31209-GAK-901 31209-M6Q-000	Jun./24.2002		1	PINION ASSY STARTER
6 91309-283-005			1	O-RING 42.5×2
7 96001-06025-00			2	FLANGE BOLT SH 6×25

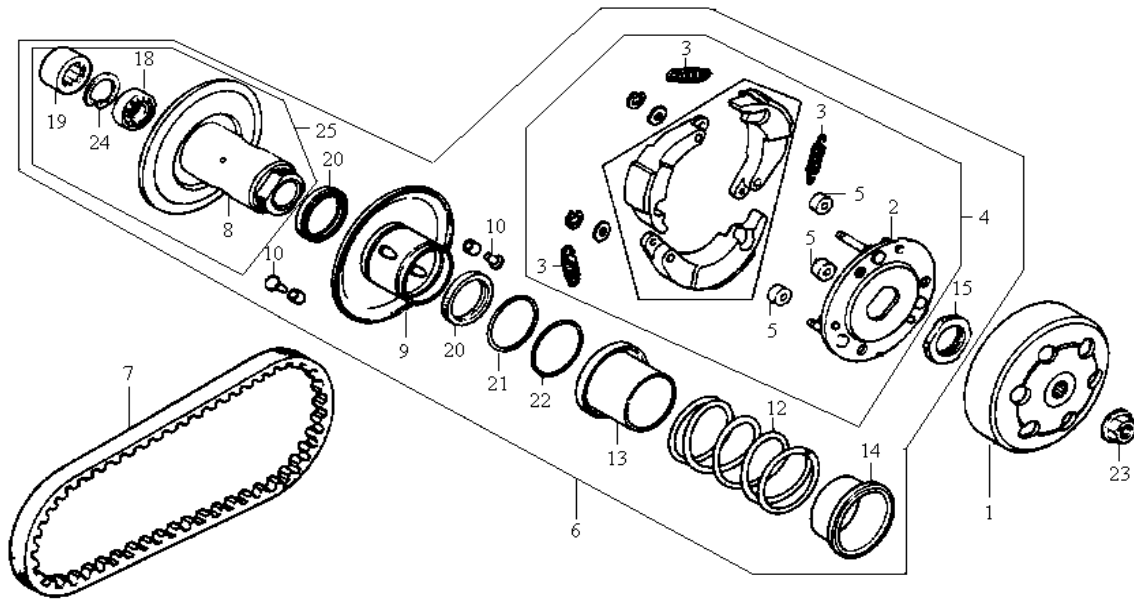


MODEL(S) BF05W-6(MASK)	CHANGE	A	Q	
BLOCK NO.A-1	DATE	P	T	
PARTS NUMBER		P	Y	DESCRIPTION
		L	R	
		Y	E	
		Q	Q	
1 11340-T52-000			1	L. SIDE COVER
2 11395-T52-000			1	L. COVER GASKET
3 9000A-F01-000			9	SPECIAL BOLT 6×28
4 90451-GN2-600			1	KICK SPINDLE WASHER
5 94301-10200			2	DOWEL PIN 10×20
6 94511-14000			1	EX. CIR CLIP 14MM

E-06 DRIVE KICK STARTER

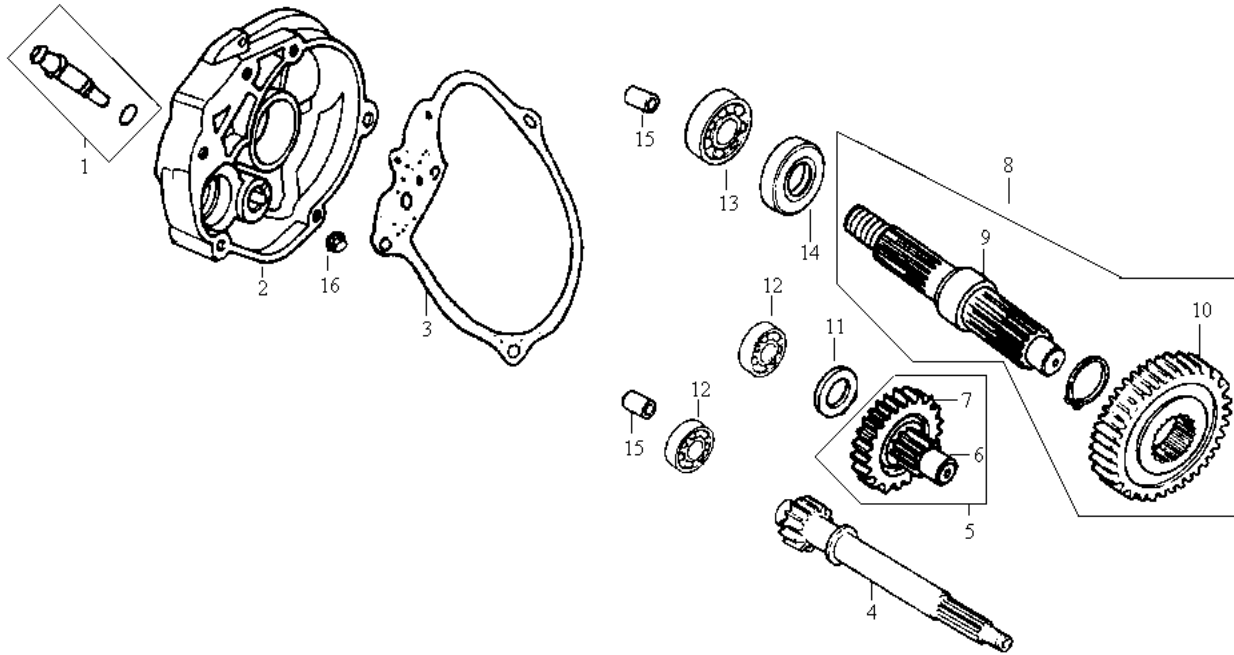


MODEL(S)	CHANGE	A	Q	
BF05W-6(MASK)	DATE	P	T	
BLOCK NO.A-2		P	Y	
PARTS NUMBER		L	R	DESCRIPTION
		Y	E	
		Q	Q	
1 2201A-F3A-000 2201A-GA1-920	Jun./24.2002		1	MOVABLE DRIVE FACE ASSY
2 22102-GAH-720			1	DRIVE FACE
3 22105-GAH-780 22105-M7Q-000	Jun./24.2002		1	DRIVE FACE BOSS
4 22110-GR1-880			1	MOVABLE DRIVE FACE COMP
5 22121-GZ0-003-A 22121-TAA-003-A	Jan./17.2002	N	1	WEIGHT ROLLER COMP 7.5GR
6 22131-GAH-780			1	RAMP PLATE
7 22132-GW0-000-A			3	SLIDE PIECE
10 2823A-GA1-920			1	KICK DRIVEN GEAR ASSY
11 28250-G22-000			1	KICK STARTER SPINDLE COMP
12 28253-GN2-601			1	KICK SPINDLE BUSH
13 28255-GS6-000			1	KICK BOSS COLLAR
14 28281-GN2-602			1	KICK RETURN SPRING
15 90412-329-000			1	THRUST WASHER 10MM
16 90426-KBN-900			1	SPECIAL WASHER 12MM
17 94001-12200-0S			1	HEX. NUT 12MM



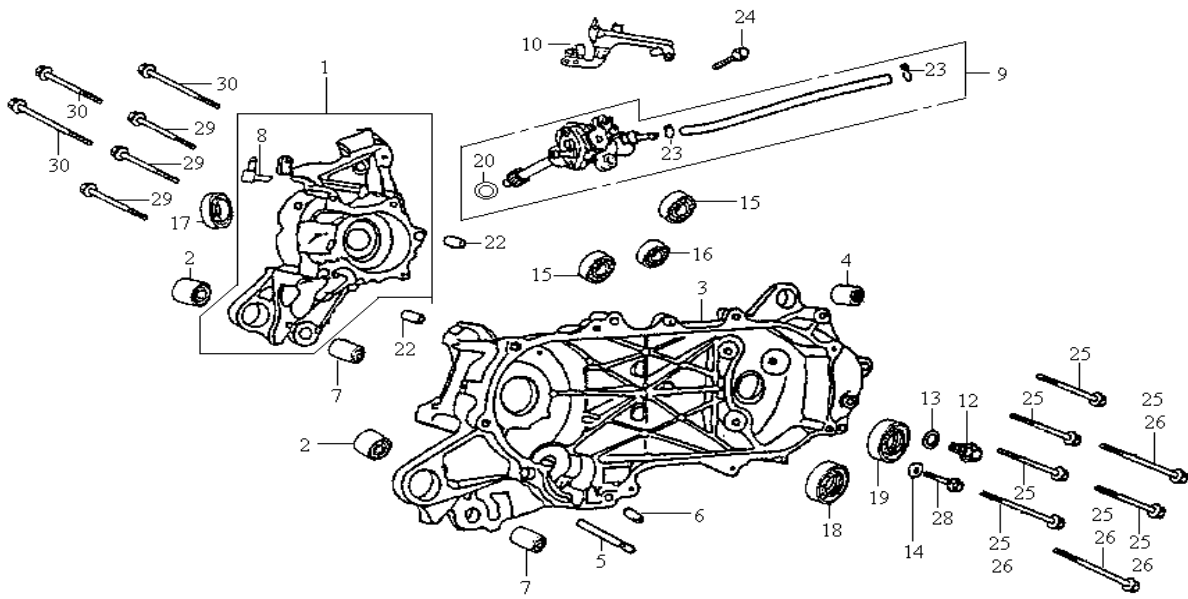
MODEL(S) BF05W-6(MASK)	CHANGE	A	Q	
BLOCK NO.A-1	DATE	P	T	
PARTS NUMBER		L	R	DESCRIPTION
		Y	E	
		Q	Q	
1 22100-GR1-750 22100-M7Q-000	Jun./24.2002		1	CLUTCH OUTER
2 22350-GN2-000			1	DRIVE PLATE ASSY
3 22401-GN2-010			3	CLUTCH SPRING
4 22300-E60-000			1	DRIVE PLATE ASSY
5 22804-148-000			1	CLUTCH DAMPER RUBBER
6 23010-T5C-910			1	DRIVEN PULLEY ASSY
7 1B01T5201			1	DRIVE BELT
8 23210-GR1-750			1	FACE COMP DRIVEN
9 23220-GAK-900			1	MOVABLE DRIVEN FACE COMP
12 23233-GE8-000			1	DRIVEN FACE SPRING
13 23237-T3F-000			1	SEAL COLLAR
14 23238-GS7-010			1	SPRING COLLAR
15 90202-187-000			1	SPECIAL NUT 28MM
18 91001-GA7-701			1	RADIAL BALL BRG.6901U
19 91103-GR1-003			1	NEEDLE BRG.17×25×18WS
20 91211-GK8-003			2	OIL SEAL 34×39×3
21 91301-KA5-741			1	O-RING 36×1.5
22 91302-PA9-003			1	O-RING 39.8×2.2
23 94050-10000			1	FLANGE NUT 10MM
24 94520-24000			1	CIR CLIP IN 24
25 23200-GR1-750			1	DRIVEN FACE ASSY

E-08 TRANSMISSION



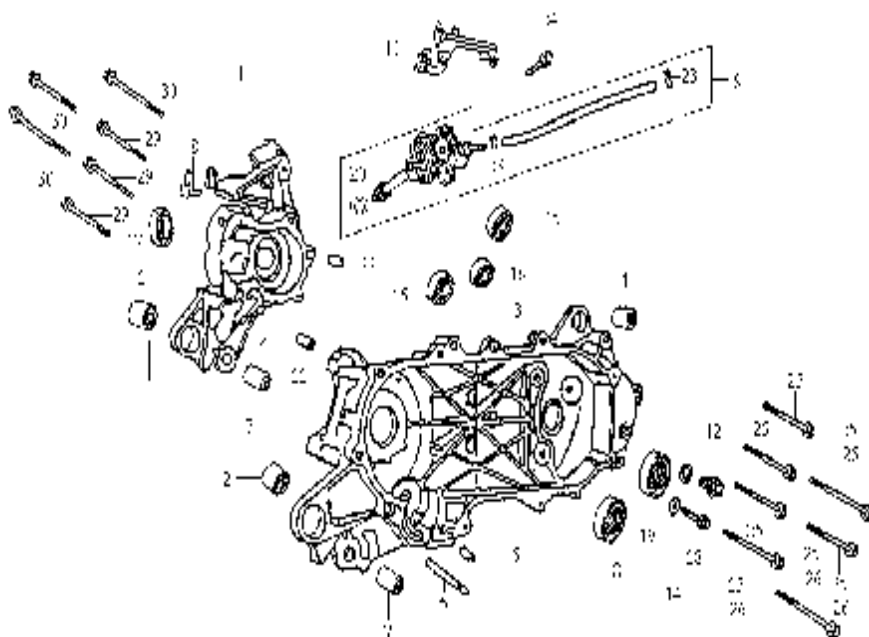
MODEL(S) BF05W-6(MASK)	CHANGE	A	Q	
BLOCK NO.A-2	DATE	P	T	
PARTS NUMBER		L	R	DESCRIPTION
		Y	E	
		Q	Q	
1 1120A-KG8-000			1	BRK. SHOE ANCHOR PIN ASSY
2 21200-GAK-900			1	MISSION CASE COMP
3 21395-KBN-900			1	MISSION CASE GASKET
4 23411-T52-000			1	DRIVE SHAFT
5 23420-T52-000			1	COUNTER SHAFT COMP
6 23421-T52-000-H1			1	COUNTER SHAFT
23421-T52-000	Aug./30.2000	N	1 (REVISED)	COUNTER SHAFT
7 23422-T52-000-H1			1	COUNTER GEAR
8 2343A-T52-000			1	FINAL SHAFT ASSY
9 23431-KBN-900			1	FINAL SHAFT
10 23432-T52-000			1	FINAL GEAR
11 90429-KBN-900			1	SIDE WASHER 12MM
12 91004-KN2-901			2	RADIAL BALL BRG. 6201
13 91009-GE0-003-M1			1	RADIAL BALL BRG. 6004UU
14 91255-GE0-003			1	OIL SEAL 27×42×7
15 94301-10200			2	DOEWL PIN 10×20
16 94050-08000			1	FLANGE NUT 8MM

E-09-1 CRANK CASE

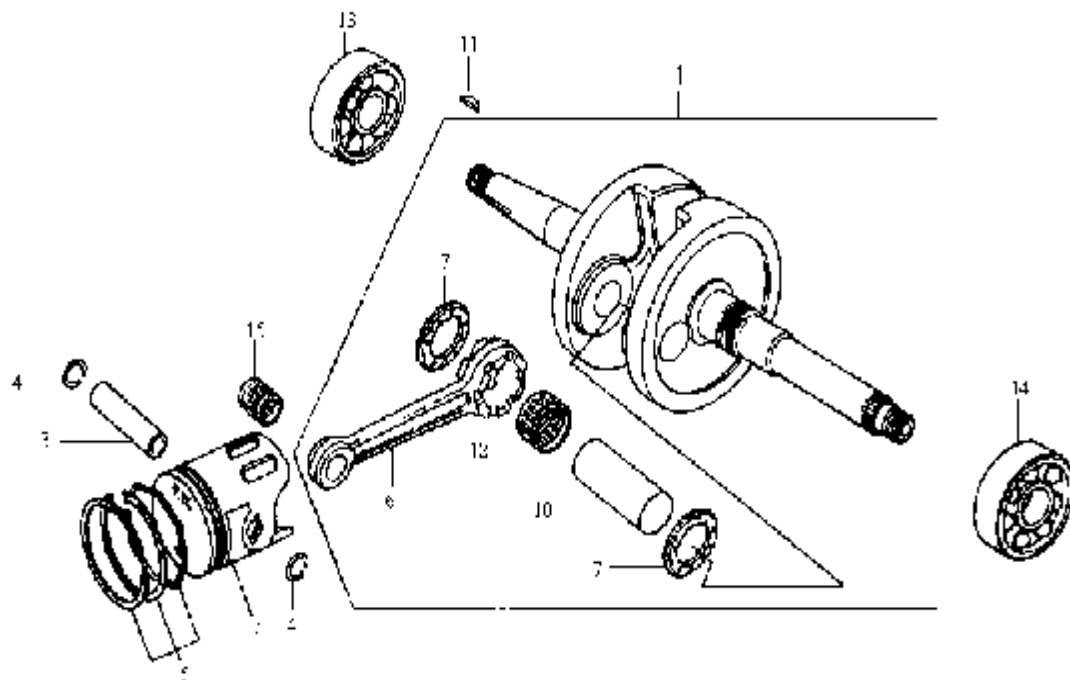


MODEL(S) BF05W-6(MASK)	CHANGE	A	Q	
BLOCK NO.A-1	DATE	P	T	
PARTS NUMBER		P	Y	DESCRIPTION
		L	R	
		Y	E	
		Q	Q	
20 91301-166-000			1	O-RING 18.3x2.3
22 94301-10200			2	DOWEL PIN 10x20
23 95002-02650-0A			2	TUBE CLIP B6.5
24 95701-08012-00			1	FLANGE BOLT 8x12
25 95701-08035-00			2	FLANGE BOLT 8x35
26 95701-08040-00			5	FLANGE BOLT 8x40
28 96001-06032-00			1	FLANGE BOLT SH 6x32
29 96001-06045-00			3	FLANGE BOLT SH 6x45
30 96001-06055-00			3	FLANGE BOLT SH 6x55



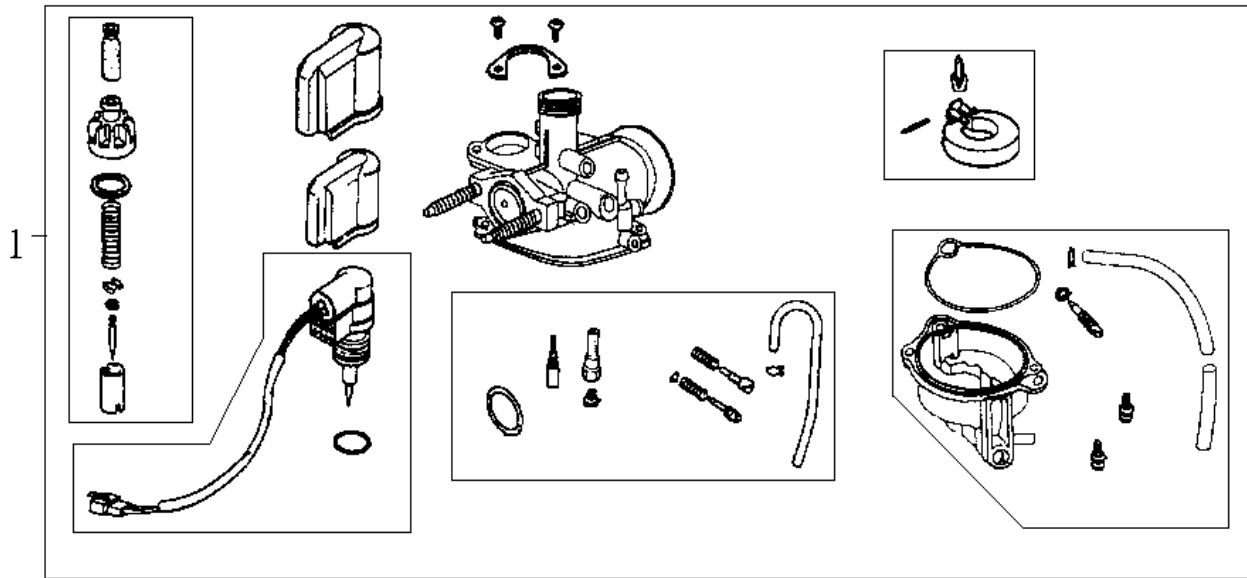


MODEL(S) BF05W-6(MASK)	CHANGE	A P P L Y	Q T Y R E Q	
BLOCK NO.A-1	DATE			
PARTS NUMBER				DESCRIPTION
1 11100-T5C-000			1	R. CRANK CASE BODY
2 11102-187-003 11102-M9Q-300	Jun./24.2002		2	ENG. HANGER RUB. BUSH
3 11200-T5C-000			1	L. CRANK CASE BODY
4 11203-GC7-300 11203-M9Q-300	Jun./24.2002		1	RR. CUSH. UND. RUB. BUSH
5 11204-KBN-900			1	PIN SPG. HOOK
6 11205-GAH-003-H1 11205-M7Q-300	Jun./24.2002		1	BUSH 8×12×8
7 11205-KBN-900-H1			2	BUSH M STAND
8 11206-GW0-300 11206-M7Q-300	Jun./24.2002		1	PULSE JOINT COMP
9 1510A-T5C-000 1510A-T5E-000	Jun./24.2002		1	OIL PUMP ASSY
10 15110-T5C-000			1	OIL PUMP SET PLATE COMP
12 90035-KZ1-000			1	OIL LEVEL CHECK BOLT
14 90488-700-000			1	WASHER A 8MM
15 91004-KBN-921-M1			2	BALL BRG. 6203(TMB)
16 91004-KN2-901			1	RADIAL BALL BRG. 6201
17 91201-F01-000			1	OIL SEAL ASSY 15.6×25.5×7
18 91202-F01-000			1	OIL SEAL ASSY 20×31×7
19 91204-KBN-901-M1			1	OIL SEAL 17×30×6



MODEL(S) BF05W-6(MASK)	CHANGE	A	Q	DESCRIPTION
BLOCK NO.A-1	DATE	P	T	
PARTS NUMBER		L	R	
		Y	E	
		Q	Q	
1 13000-T52-000			1	CRANK SHAFT COMP
2 13101-T5C-000			1	PISTON
3 13111-166-000			1	PISTON PIN
13111-M7Q-000	Jun./24.2002			
4 13115-156-000			2	PISTON PIN CLIP 12MM
13115-M7Q-000	Jun./24.2002			
5 13010-GW0-307			1	PISTON RING SET
13010-M7Q-000	Jun./24.2002			
6 13201-GAH-300			1	CONN ROD
13201-M7Q-300	Jun./24.2002			
7 13202-169-003			2	CONNECTING ROD SIDE PLATE
13202-M7Q-300	Jun./24.2002			
10 13381-GAH-720-H1			1	CRANK PIN
13381-M7Q-300	Jun./24.2002			
11 90741-035-000			1	WOODRUFF KEY
90741-M7Q-000	Jun./24.2002			
12 91001-GAK-900-H1			1	BRG. CON-ROD BIG END
91001-M6Q-000	Jun./24.2002			
13 91001-GW0-901-E1			1	BALL RADIAL SPECIAL BRG.6204
14 91006-E62-000			1	BRG. BALL RADIAL 25×56×12
15 91102-GW0-008-E1			1	BRG.CON-ROD S.E
91102-M7Q-000	Jun./24.2002			

E-11 CARBURETOR



MODEL(S) BF05W-6(MASK)	CHANGE	A P P L Y	Q T Y R E Q	
BLOCK NO.A-2	DATE			
PARTS NUMBER				DESCRIPTION
1 16100-T5C-010 16100-T5C-900 16100-T5E-000	Mar./12.2001 Jun./24.2002	Y	1 1	CARBURETOR ASSY CARBURETOR ASSY