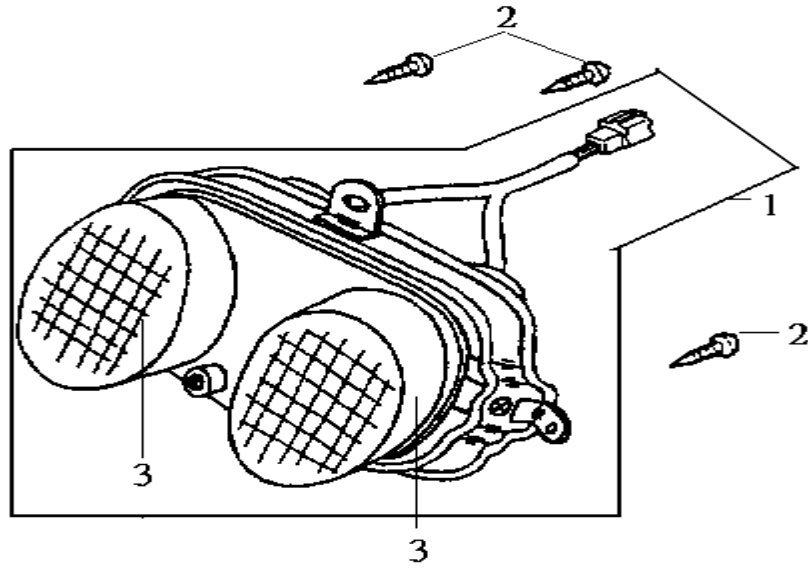
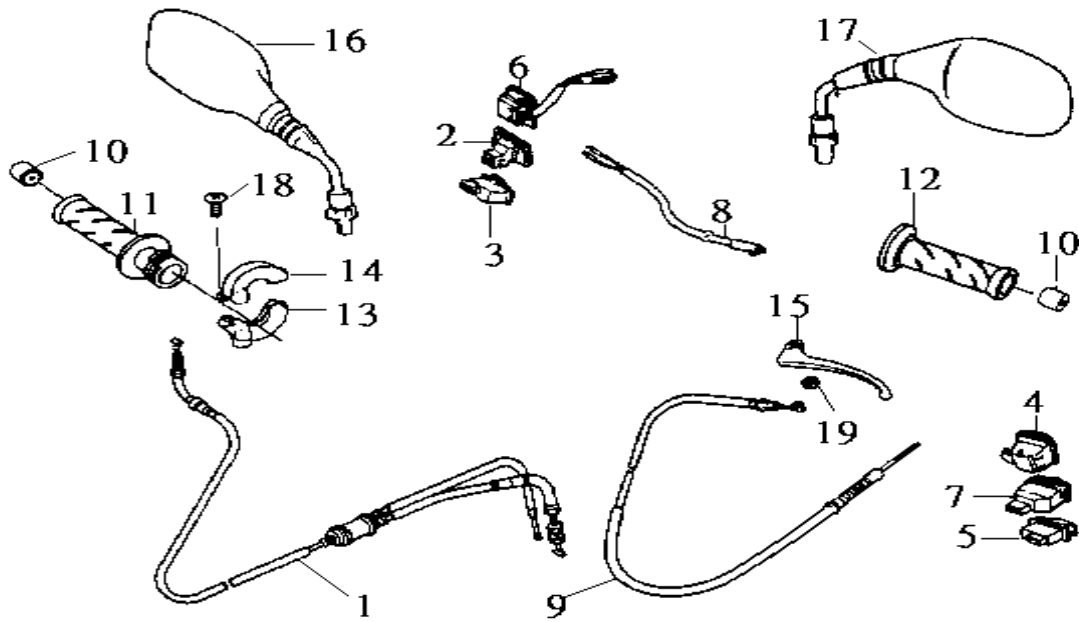


F-01 Head Light



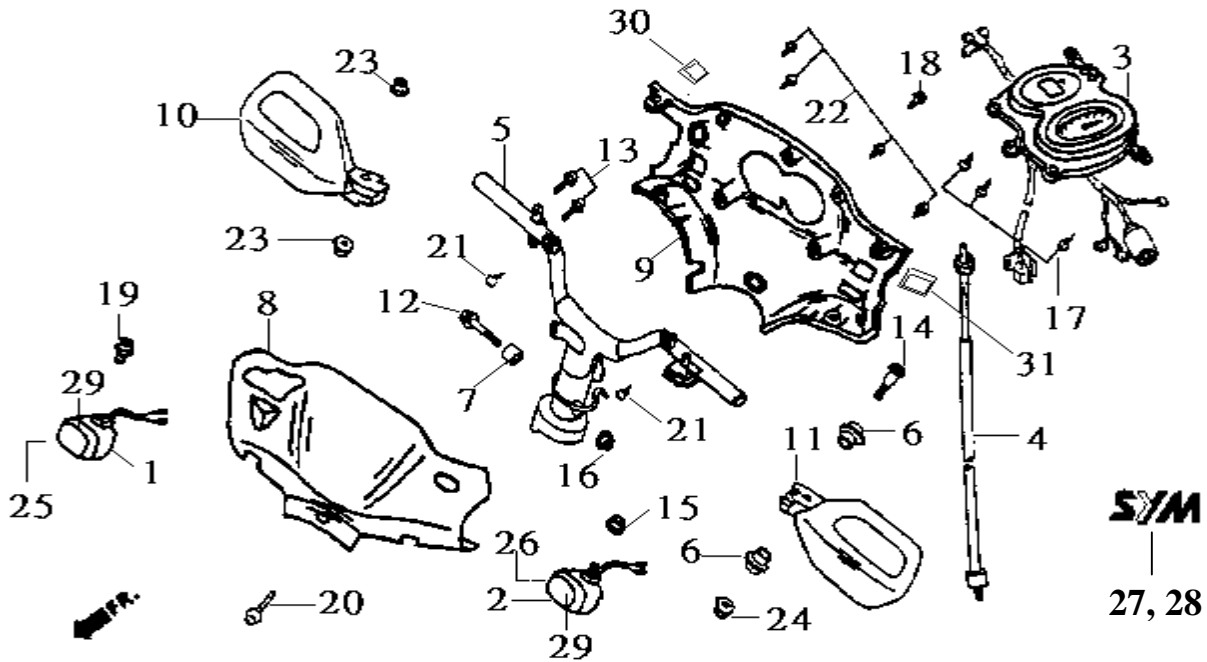
MODEL(S) BM05W-6 (JUNGLE 50)	CHANGE DATE	A P P L Y	Q T Y R E Q	PARTS NUMBER
BLOCK NO. .A-1 DESCRIPTION				
1.Head light ass'y 2.Washer screw (po)4×12 3.Head light bulb 12Vx15W(E-mark)			1 3 2	33100-T54-030 90106-SA7-000 34901-E60-000



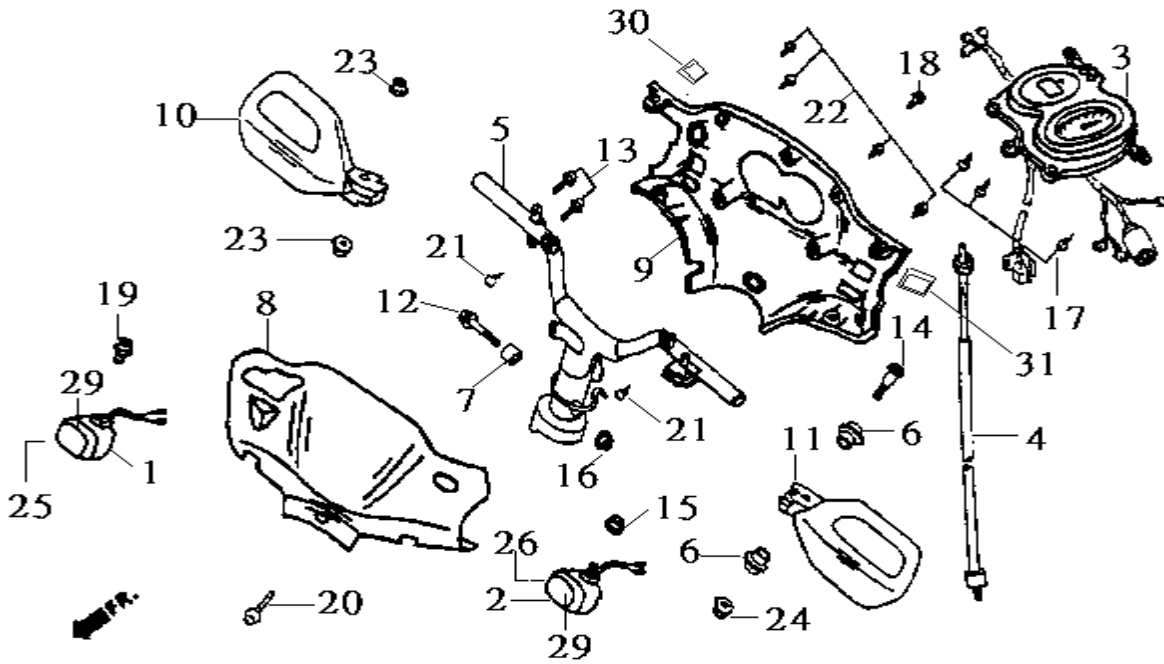


MODEL(S)	CHANGE DATE	A P P L Y	Q T Y R E Q	PARTS NUMBER
BLOCK NO. .A-1				
DESCRIPTION				
1.Throttle cable comp.			1	17910-T5C-000
2.Lighting sw. unit			1	35150-A39-000
3.Start sw. unit			1	35160-M9Q-000
4.Dimmer sw. unit			1	35170-M9Q-000
5.Horn sw. unit			1	35180-M9Q-000
6.Hazard sw. unit			1	35190-T31-000
7.Winker sw. unit			1	35200-M9Q-000
8.FR. stop sw. ass'y			1	35340-GW0-920
9.RR. brake cable comp.			1	43450-T53-010
10.Handle end strg.			2	53105-H01-000
11.Throt. grip comp.			1	53140-KBN-900
12.L. handle grip			1	53166-KBN-900
13.Throt. und. housing			1	53167-H09-000
14.Throt. up. housing			1	53168-H09-000
15.L. strg. handle lever			1	53178-T5C-000
16.R. back mirror ass'y			1	88110-G22-000
17.L. back wirror ass'y			1	88120-G22-000
18.Pan screw 5×22			1	93500-05022-0A
19.Flange nut 6mm			1	94050-06070

F-03 Steering Handle. Handle Cover

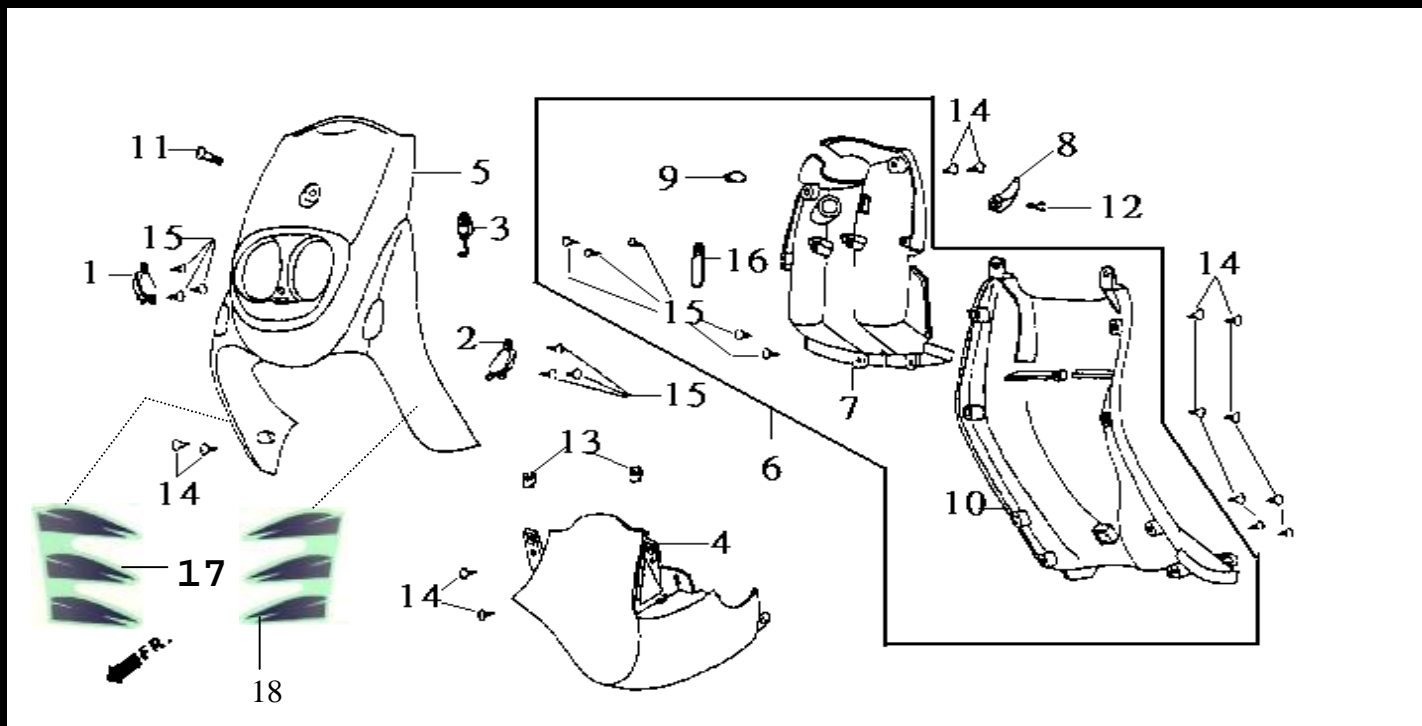


MODEL(S)	CHANGE DATE	A P P L Y	Q T Y R E Q	PARTS NUMBER
BM05W-6 (JUNGLE 50)				
BLOCK NO. .A-1				
DESCRIPTION				
1.R. FR. winker ass'y (E-mark)			1	33400-T54-010
2.L. FR. winker ass'y (E-mark)			1	33450-T54-010
3.Meter ass'y comp. (E-mark)			1	37200-T54-030
4.Spd cable comp.			1	44830-G22-000
5.Strg. handle comp.			1	53100-T53-000
6.Handle lever collar			2	53102-T53-000
7.Handle setting collar			1	53125-M9Q-000
8.FR. handle cover (GN-6011P)			1	5320B-T54-000-EM
FR. handle cover (S-880S)			1	5320B-T54-000-SQ
FR. handle cover (YR-1446S)			1	5320B-T54-000-YH
9.RR. handle cover (GY-426U)			1	53206-T53-000-GK
10.R.handle grip protector(BK-001U)			1	53207-T53-000-KA
11.L.handle grip protector(BK-001U)			1	53208-T53-000-KA
12.Flange bolt 10×55			1	90106-M9Q-900
13.Flange bolt SH 6×12			2	90110-T53-000
14.Handle lever pivot screw			1	90115-T53-000
15.Flange nut 6mm			1	90302-187-000
16.Flange u nut 10mm			1	90304-M9Q-000
17.Tapping screw 5×16			3	93903-25320
18.Pan screw 5×11.5			1	91509-GE2-760
19.washer bolt 6×16			1	93404-06016-08



MODEL(S)	CHANGE DATE	A P P L Y	Q T Y R E Q	PARTS NUMBER
DESCRIPTION				
BM05W-6 (JUNGLE 50)				
BLOCK NO. .A-1				
20. Washer screw 5×40			1	93891-05040-00
21. Tapping screw 4×12			2	93903-34320
22. Tapping screw 4 × 12			4	93903-34380
23. Flange nut 6mm			2	94050-06070
24. Washer nut 5mm			1	94071-05070
25. R. Fr. winker lens			1	33402-T53-000
26. L. Fr. winker lens			1	33452-T53-000
27. SYM stripe (White)			1	Green 87123-G22-000-T1
28. SYM stripe (Blue)			1	Silver/Blue-Silver/Red 87123-G22-000-T2
29. Winker bulb 12V×10W			2	34905-B06-000
30. Handle RR. Cover cap(GY-426U)			1	53207-E60-000-GK
31. Handle RR. Cover cap(GY-426U)			1	53208-A39-000-GK

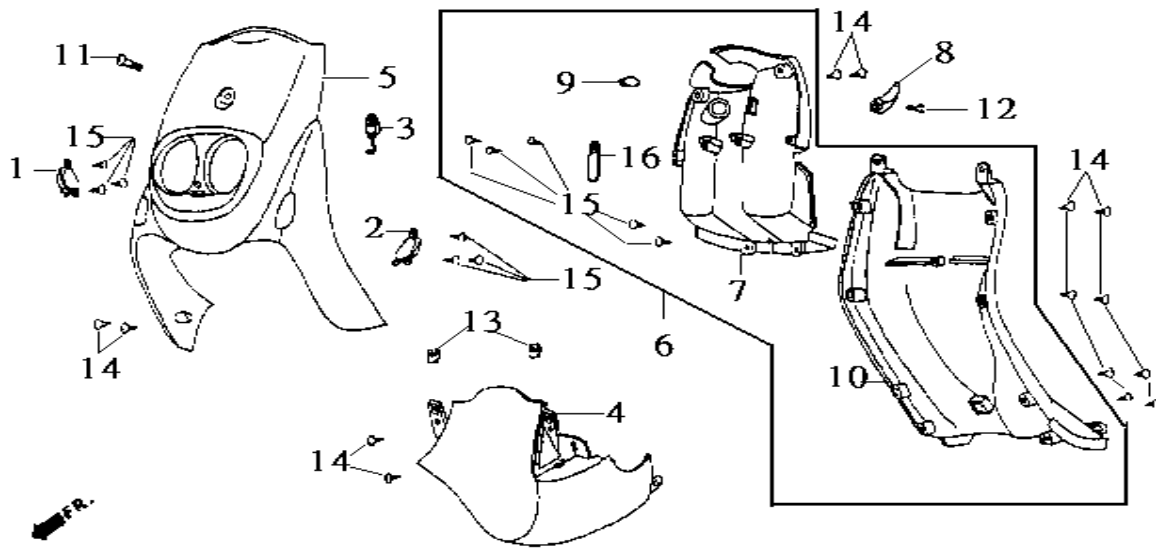
F-04 Front Cover , Front Fender



MODEL(S)	CHANGE DATE	A P P L Y	Q T Y R E Q	PARTS NUMBER
BLOCK NO. .A-1				
BM05W-6 (JUNGLE 50)				
DESCRIPTION				
1.R. position lamp cover(BU-3945S) (S-880S) (GN-6011P) (GY-990U)			1 1 1 1	<i>Blue/Silver</i> <i>Silveer</i> <i>Green</i> <i>Rc</i>
2.L. position lamp cover(BU-3945S) (S-880S) (GN-6011P) (GY-990U)			1 1 1 1	<i>Blue/Silver</i> <i>Silveer</i> <i>Green</i> <i>Rc</i>
3.Winke relay ass'y			1	38300-T53-010
4.FR. under cover (GY-426U) (GY-422U) (BU-4037U)			1 1 1	<i>Green</i> <i>Silver</i> <i>Silver/Blue</i>
5.FR. Cover assy (GN-6011P) FR. cover (S-880S) FR. cover (BU-3945S)			1 1 1	<i>Coppery</i> <i>Green</i> <i>Silver</i>
6.FR. inner cover ass'y (GY-426U)			1	6430G-T54-900-EM
7.Inner box (GY-426U)			1	6430G-T54-900-SQ
8.Luggage hook (GY-426U)			1	6430G-T54-900-UV
10.FR. inner low cover (GY-426U)			1	6430G-T54-900-IB
			1	8113A-T54-000-GK
			1	81131-T53-000-GK
			1	81132-GAH-000-GK
			1	81141-T53-000-GK



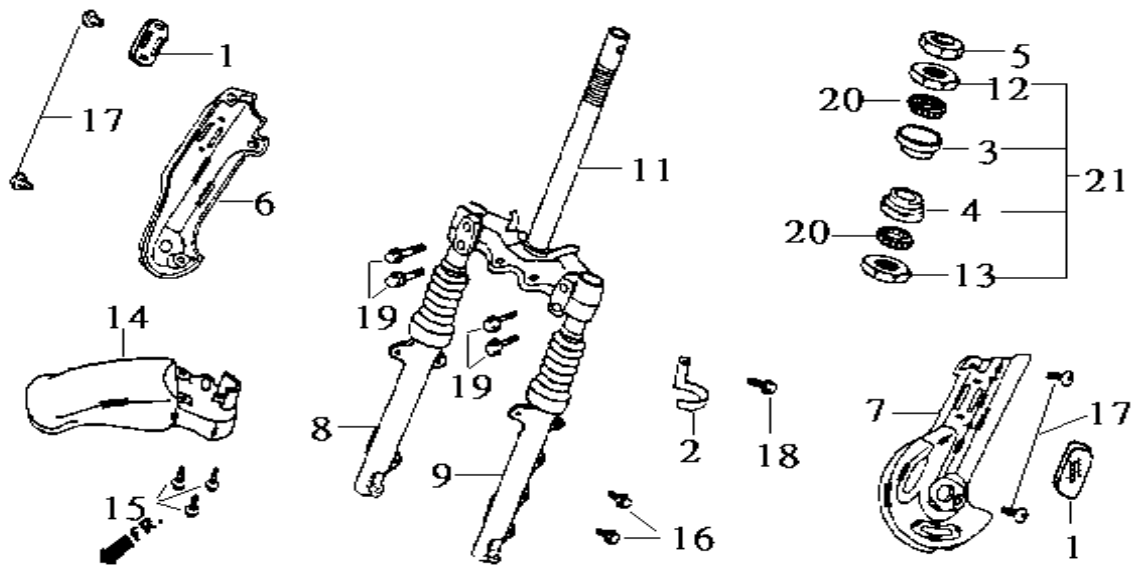
TEAMWORLD IND. 1999.10



MODEL(S)	CHANGE DATE	A P P L Y	Q T Y R E Q	PARTS NUMBER
DESCRIPTION				
BM05W-6 (JUNGLE 50)				
BLOCK NO. A-1				
11.Special screw 6mm×14			1	90110-GZ0-000
12.Special screw 6mm			1	90164-MR4-900
13.Clip nut 4mm			2	90302-V02-000
14.Tapping screw 4×12			14	93903-34380
15.Tapping screw 4×12			11	93903-34320
17.FR. R. body cover stripe(for BLS)			1	87129-G2B-000-T2
(for G.RC)			1	87129-G2B-000-T4
(for S)			1	87129-G2B-000-T5
18.FR. L. body cover stripe(for BLS)			1	87130-G2B-000-T2
(for G.RC)			1	87130-G2B-000-T4
(for S)			1	87130-G2B-000-T5



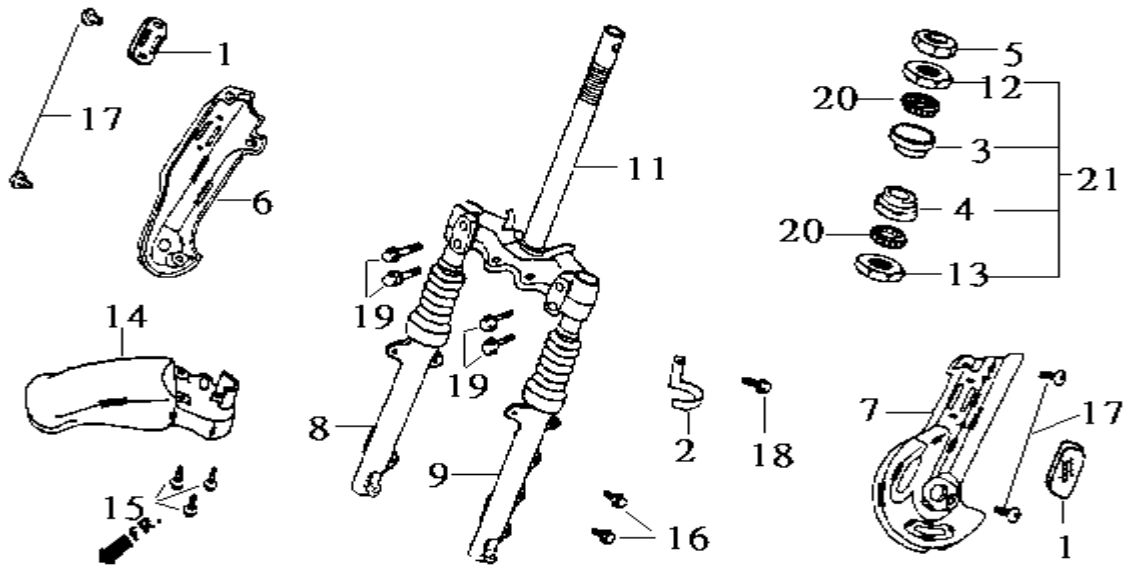
F-05 Front Fork



MODEL(S)		A	Q	
BM05W-6 (JUNGLE 50)		P	T	
BLOCK NO. .A-1	CHANGE	P	R	
	DATE	L	E	
DESCRIPTION		Y	Q	PARTS NUMBER
1.Side reflex reflector			2	33742-T53-000
2.FR. brk. hose clamp			1	45156-GW0-911
3.STPG. up ball race			1	50301-GM0-000
4.STPG. under ball race			1	50305-GC8-003
5.STPG. stem lock nut			1	50306-M9Q-000
6.R. fork cover (GY-426U)			1	(for Green) 5111G-T53-900-GK
R. fork cover (BK-001U)	03/07/2003		1	(for BLS.RC) 51110-T53-000-KA
R. fork cover (GY-422U)			1	(for Silver) 5111G-T53-900-GF
7.L. fork cover (GY-426U)			1	(for Green) 5112G-T53-900-GK
L. fork cover(BU-4037U)			1	(for Blue/Silver) 5112G-T53-900-CD
L. fork cover (GY-422U)			1	(for Silver) 5112G-T53-900-GF
8.R. FR. fork assy			1	(for RC) 5112G-T53-900-YD
9.L. FR. fork assy			1	51400-T53-900
11.Strg. stem comp			1	51500-T53-900
12.Strg. top cone race			1	53200-G22-000
13.Race strg. bottom cone race			1	53211-GC8-003
14.FR. fender (GN-6011P)			1	53212-GC8-003
FR. fender (S-880S)			1	Green 61100-T53-000-EM
FR. fender (YR-1446S)			1	Blue/Silver 61100-T53-000-SQ
			1	Rc 61100-T53-000-YH

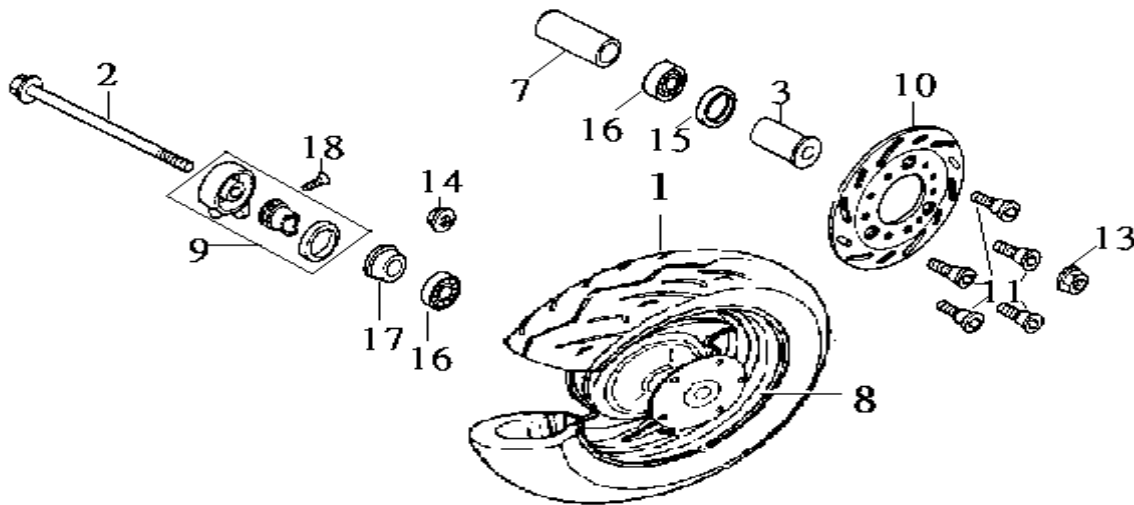


TEAMWORLD IND. 1999.10



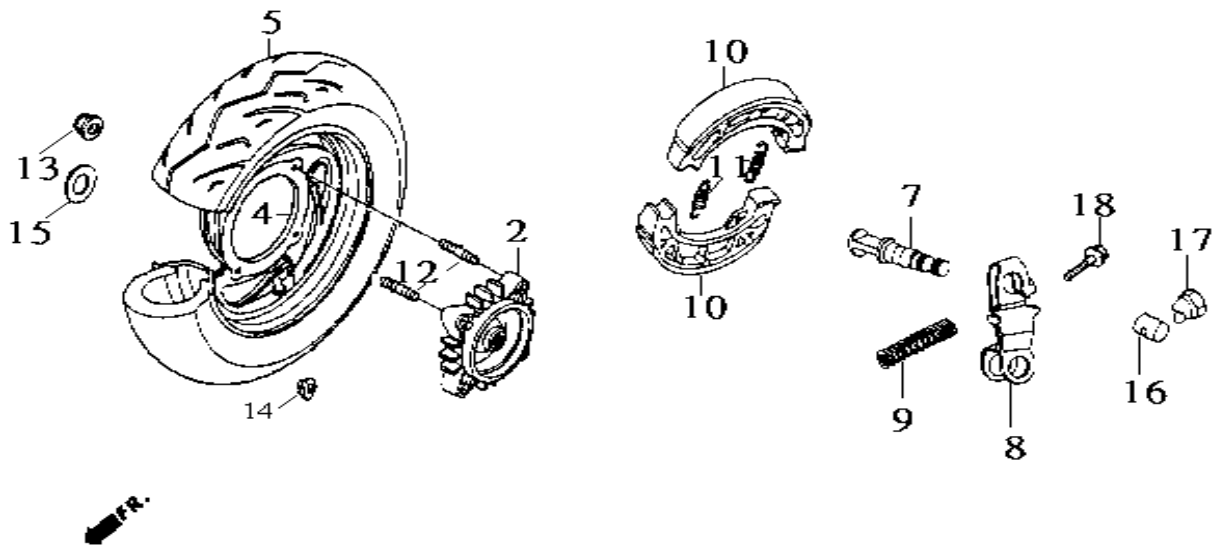
MODEL(S) BM05W-6 (JUNGLE 50)	CHANGE DATE	A P P L Y	Q T Y R E Q	PARTS NUMBER
BLOCK NO. .A-1				
15.Special bolt 5mm 16.Flange bolt 8×35 17.Special screw 6mm 18.Flange bolt 6×12 19.flange bolt 8×40 20.Steel ball □5 21.Ball race set			3 2 4 1 4 55 1	90112-GC3-000 90131-GW0-910 90164-MR4-900 95801-06012-07 95701-08040-00 96211-05000 50300-GC8-000

F-06 Front Wheel



MODEL(S) BM05W-6 (JUNGLE 50)	CHANGE DATE	A P P L Y	Q T Y R E Q	
BLOCK NO. .A-2 DESCRIPTION				PARTS NUMBER
1.FR. tire set (120/90-10 51J)			1	1T011209010-4PR-TM1
2.FR. wheel axle			1	44301-G22-000
3.FR. wheel side collar			1	44311-H09-000
7.FR. axle dist collar			1	44620-T55-000
8.Wheel rim comp. (GY-1406S)			1	42705-T55-000-GR
9.Spdmt. gear box ass'y			1	44800-G22-000
10.FR. brake disk			1	45121-G22-000
11.FR. disk bolt 8×24			5	90105-KR3-000
13.Flange u nut 12mm			1	90306-GW0-901-M1
14.Flange u nut 8mm			4	90309-M9Q-000-M1
15.Dust seal 20×32×5(NOK)			1	90754-GC8-005
16.Radial ball brg. 6201(U)(NTN)			2	90912-GC8-003
17.Spdmt. gear box seal (NOK)			1	91258-KM1-004
18.Oval screw 5×18			1	93700-05018-0A

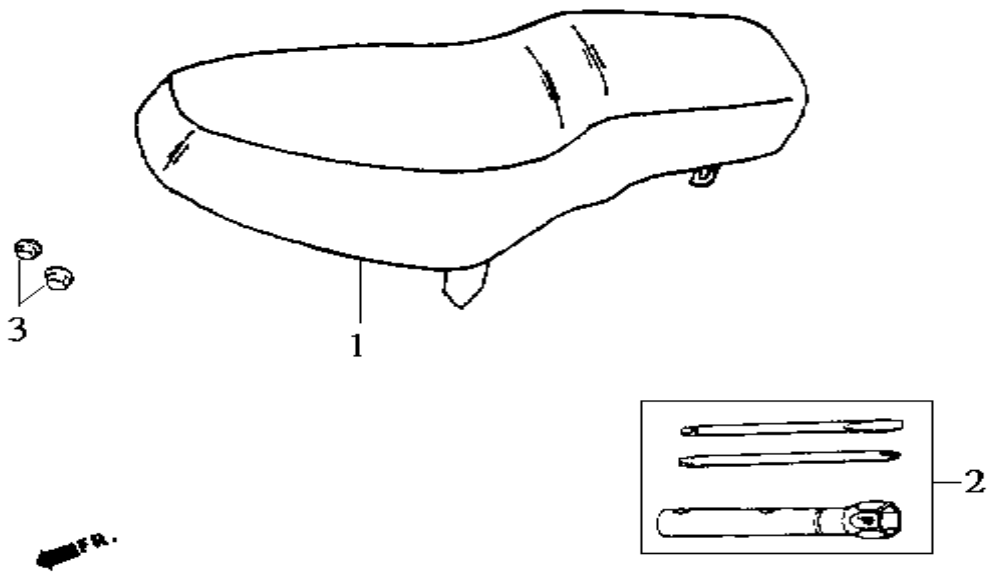




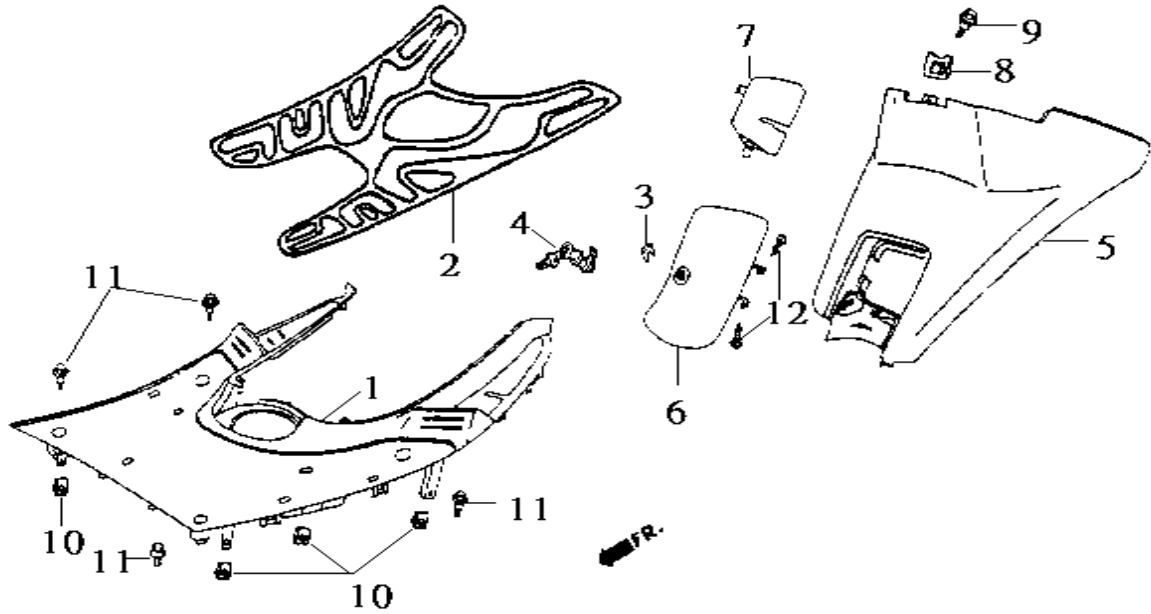
MODEL(S)	CHANGE DATE	A P P L Y	Q T Y R E Q	PARTS NUMBER
DESCRIPTION				
BM05W-6 (JUNGLE 50)				
BLOCK NO. .A-2				
2.RR. wheel hub comp.(GY-1406S)			1	42601-GAK-900-GR
4.RR. wheel rim comp.(GY-1406S)			1	42705-T55-000-GR
5.RR. tire set (130/90-10 51J)			1	1T011309010-4PR-TM1
7.RR. brake cam ass'y			1	4314A-GA1-700
8.RR. brake arm comp.			1	43410-G2B-000
9.RR. brake arm spring			1	43472-T5C-000
10.Brake shoe comp. asbestos			2	45120-E60-000
11.Brake shoe spring			2	45133-028-000
12.Stud ll bolt 8×22			4	90110-KG8-900
13.U nut 16mm			1	90305-M9Q-900
14.Flange u nut 8mm			4	90309-M9Q-000-M1
15.Washer 16mm			1	90501-M9Q-000
16.Brake arm joint B			1	95015-32001
17.Adjust nut B			2	95015-42000
18.Flange bolt 6×32			2	96001-06032-00



F-08 Seat



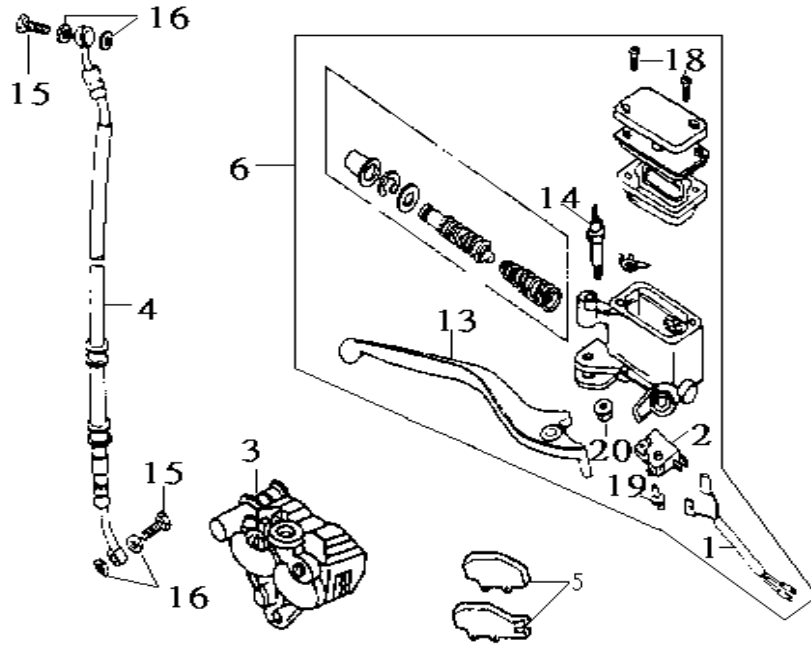
MODEL(S) BM05W-6 (JUNGLE 50)	CHANGE DATE	A P P L Y	Q T Y R E Q	PARTS NUMBER
BLOCK NO. .A-1 DESCRIPTION				
1.Double seat comp. 2.Tool assy. 3.Flange nut 6mm			1 1 2	77200-T54-000 89010-KBN-000 94050-06080



MODEL(S) BM05W-6 (JUNGLE 50)	CHANGE DATE	A P P L Y	Q T Y R E Q	PARTS NUMBER
BLOCK NO. .A-2 DESCRIPTION				
1.Floor step (GY-426U)			1	64310-KBN-900-GK
2.Floor mat (GY-426U)			1	64320-T53-000-GK
3.Lock key set spg.			1	75581-T53-000
4.Fuel lid lock ass'y			1	77232-M9Q-000
5.Center cover (GY-426U)	Jun./26.2001	N	1	77232-GW0-900
6.Fuel lid (GY-426U)			1	80151-KBN-900-GK
7.Plug maint. Cover (GY-426U)			1	80152-KBN-900-GK
8.Clip nut 6mm			1	80153-KBN-900-GK
9.Special screw 6 × 17			1	90305-M9Q-000
10.Clip nut 5mm			4	90381-M9Q-000
11.Washer bolt 6×20			4	90677-GR1-003
12.Tapping screw 4×10			2	93404-06020-00
				93903-24220



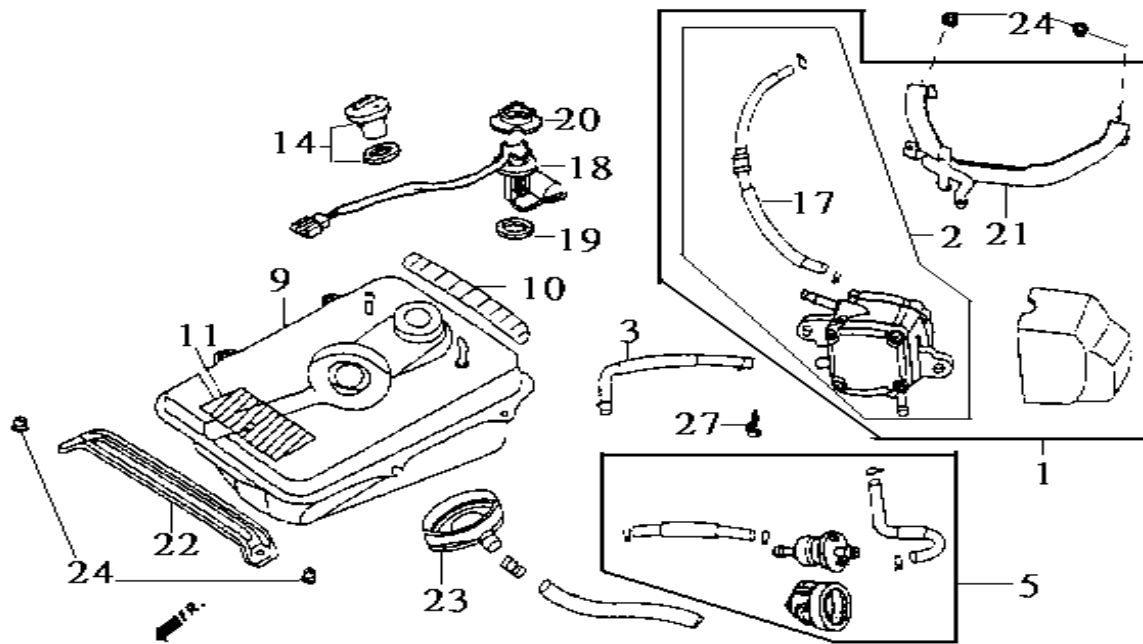
F-10 Front Brake Master Cylinder



MODEL(S)	CHANGE DATE	APPLY	QTY	PARTS NUMBER
BLOCK NO. .A-1				
DESCRIPTION				
1.Sub. harness			1	32106-KBN-900
2.FR. stop sw. ass'y			1	35340-KBN-900
3.FR. L. caliper ass'y			1	45100-E69-600
4.FR. brake hose ass'y			1	45126-G22-000
5.Brake pad set (Non-asbestos)			1	45105-G22-000-AC
6.FR. master cylinder ass'y			1	45500-T53-000
13.R. steering handle lever			1	53175-KBN-900
14.Handle lever bolt			1	90114-T53-000
15.Oil bolt 10x22			2	90145-MS9-611
16.Oil bolt washer			4	90545-300-000
18.Flat screw 4x12			2	93600-04012-1GF
19.Washer screw 4x12			1	93893-04012-08
20.Flange nut 6mm			1	94050-06000

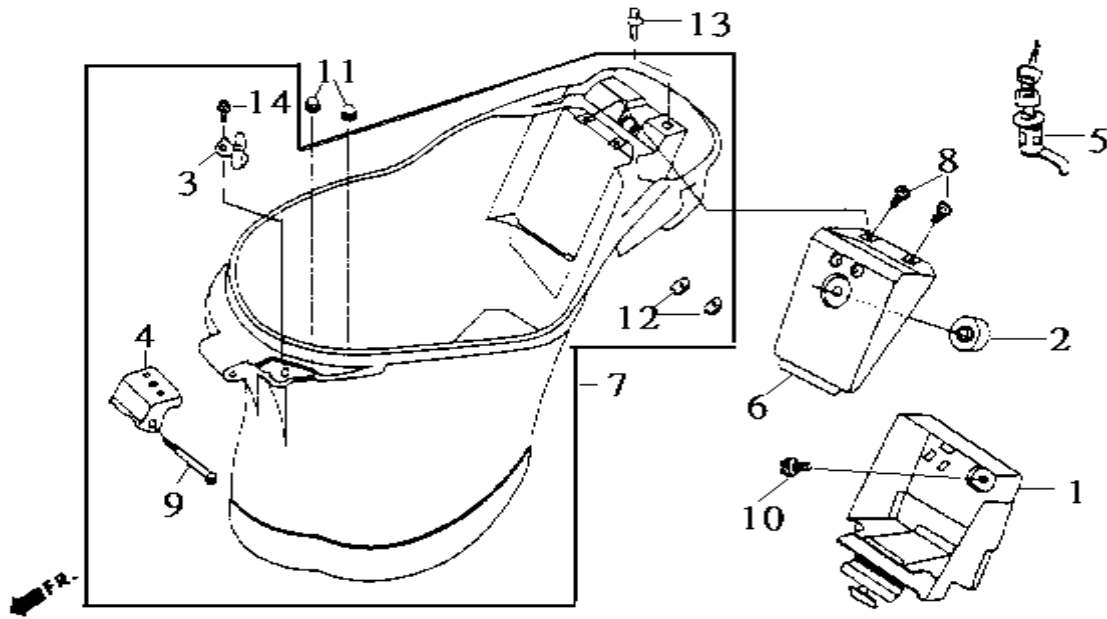


TEAMWORLD IND. 1999.10



MODEL(S)	CHANGE DATE	A P P L Y	Q T Y R E Q	PARTS NUMBER
BM05W-6 (JUNGLE 50)				
DESCRIPTION	BLOCK NO. .A-1			
1.Fuel pump assy			1	1670B-KB1-000
2.Fuel pump set			1	1670A-T5C-000
3.Pulse tube ass'y			1	1671A-GA1-900
5.Strainer ass'y			1	1691A-KB1-000
9.Fuel tank comp			1	17500-KB1-000
10.Tank comp heat guard			1	17501-KBN-900
11.Fuel tank guard			1	17506-KBN-900-H1
14.Cap comp fuel filler			1	17620-GS7-800
17.Fuel tube 4.5×445			1	17685-KBN-900
18.Fuel unit			1	37800-T53-000
19.Base packing			1	37801-M9Q-000
20.Ret fuel unit			1	37802-M9Q-000
21.Stay fuel pump			1	50139-KBN-902
22.Floor plate			1	50140-KBN-900
23.Fuel cap tray			4	64330-KBN-900
24.Flange nut 6mm			1	94050-06000
27.Flange bolt 6×14			2	95701-06014-00

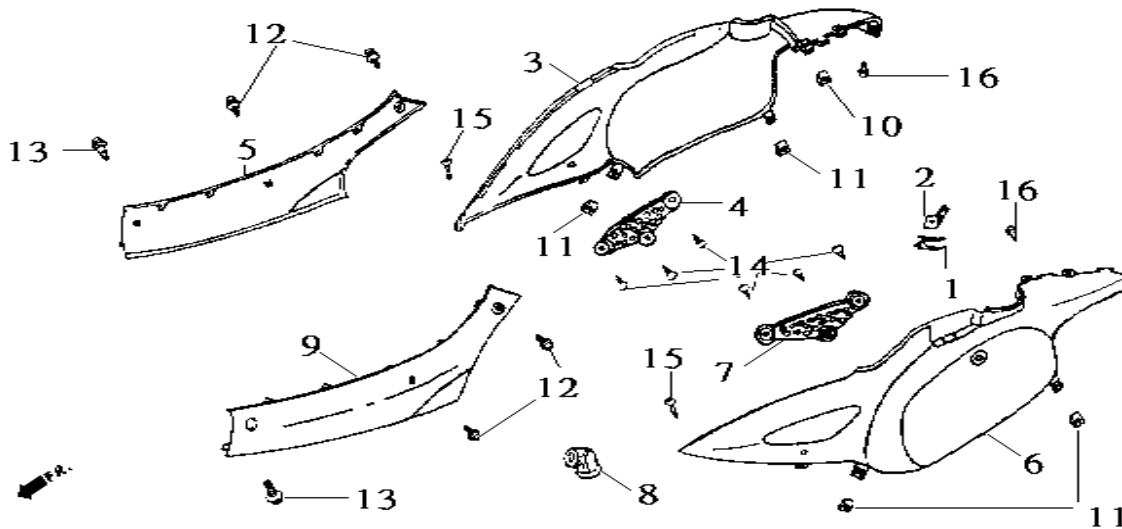
F-12 Luggage Box



MODEL(S)	CHANGE DATE	A P P L Y	Q T Y R E Q	PARTS NUMBER
BLOCK NO. .A-1				
DESCRIPTION				
1. Battery case			1	50325-GAK-940
2. Stopper rub			1	50352-GJ3-600
3. Helement hook			1	77106-GS6-000
4. Set hinge			1	77201-GS6-000
5. Seat lock ass'y			1	77239-T53-000
6. Batt. cover ass'y (GY-013U)			1	81251-E69-000-G0
7. Luggage box ass'y (GY-013U)			1	8125A-T5C-000
8. Special screw 5×10			2	90101-KBN-900
9. Hinge pin			1	90105-GS6-000
10. Flange bolt 6mm			1	90111-M9Q-900
11. Cap nut 6mm			2	90201-415-000
12. Nut spring M5			2	90320-HB9-000
13. Washer bolt 6×25			2	93404-06025-07
14. Washer screw 6×10			1	93891-06010-08



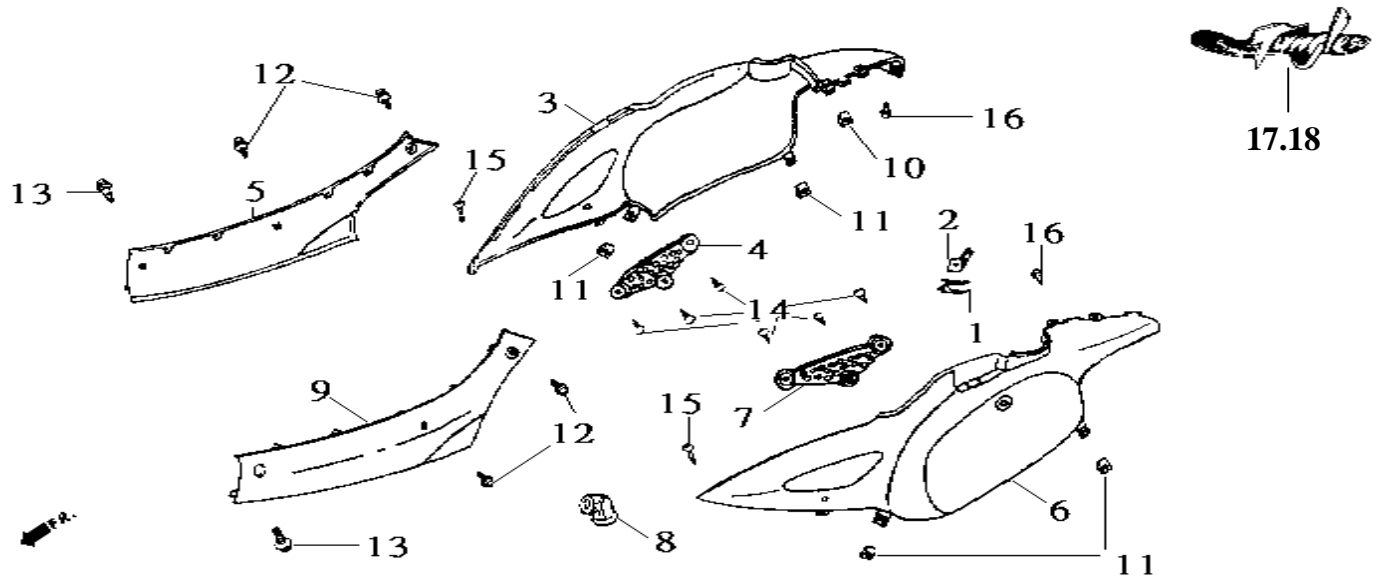
TEAMWORLD IND. 1999.10



MODEL(S)	CHANGE DATE	A P P L Y	Q T Y R E Q	PARTS NUMBER
BLOCK NO. A-1				
DESCRIPTION				
1.Lock key set spg.			1	75581-T53-000
2.Seat lock washer			1	77236-T53-000
3.RH. body cover (GN-6011P)			1	Green 8350G-T54-900-EM
RH. body cover (S-880S)			1	Silver/Blue-Silver 8350G-T54-900-SQ
RH. body cover (YR-1446S)			1	Coppery 8350G-T54-900-YH
4.R. body net (BK-001U)			1	83501-T53-000-KA
5.RH. side cover (GY-426U)			1	Green 83520-T53-000-GK
RH. side cover(GY-422U)			1	Silver/Blue 83520-T53-000-GF
RH. side cover(BU-4037U)			1	Silver 83520-T53-000-CD
RH. side cover(BK-001U)			1	Coppery 83520-T53-000-KA
6.LH. body cover (GN-6011P)			1	Green 8360G-T54-900-EM
LH. body cover (S-880S)			1	Silver/Blue 8360G-T54-900-SQ
LH. body cover (YR-1446S)			1	Coppery 8360G-T54-900-YH
7.L. body net (BK-001U)			1	83601-T53-000-KA
8.Air/c intake duct			1	83605-T40-010
9.LH. side cover (GY-426U)			1	Green 83620-T53-000-GK
LH. side cover(GY-422U)			1	Silver/Blue 83620-T53-000-GF
LH. side cover(BU-4037U)			1	Silver 83620-T53-000-CD
LH. side cover(BK-001U)			1	Coppery 83620-T53-000-KA

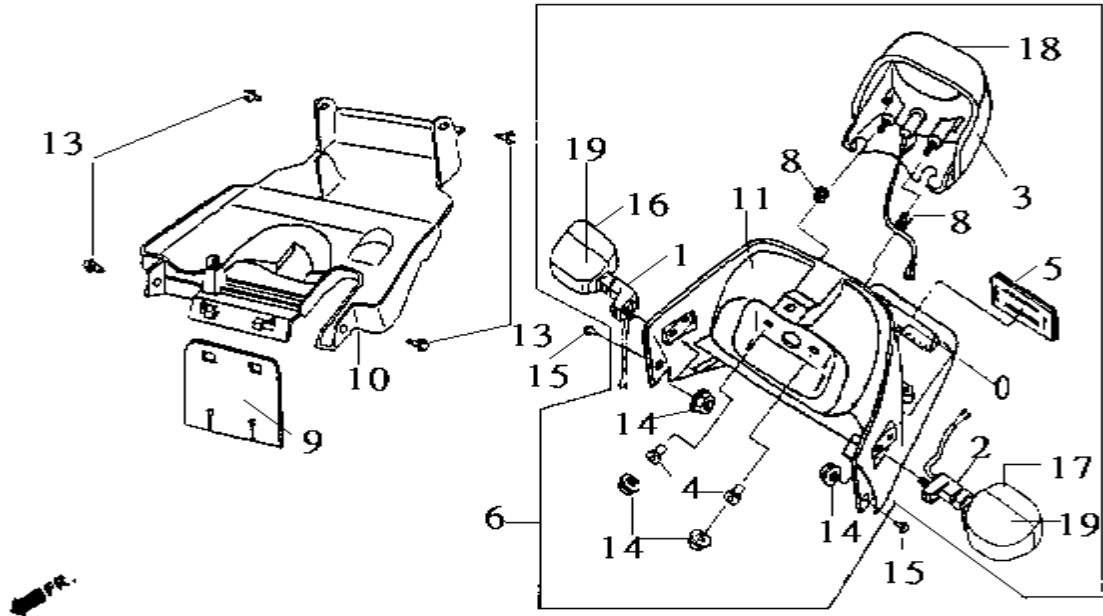


F13-1 Body Cover



MODEL(S) BM05W-6 (JUNGLE 50)		A P P L Y	Q T Y R E Q	
BLOCK NO. A-1 DESCRIPTION	CHANGE DATE			PARTS NUMBER
10. Clip nut 4mm			1	90302-SA4-003
11. Clip nut 5mm			4	90677-GR1-003
12. Washer screw 5×16			4	93891-05016-07
13. Washer screw 5×20			2	93891-05020-07
14. Tapping screw 4×12			6	93903-34320
15. Tapping screw 5×16			2	93903-25320
16. Tapping screw 5×16			2	93903-34380
17. R. body cover stripe			1	<i>Blue-Silver/Silver-Red</i> 87126-T54-900-T1
R. body cover stripe			1	<i>Green</i> 87126-T54-900-T2
18. L. body cover stripe			1	<i>Blue-Silver/Silver-Red</i> 87127-T54-900-T1
L. body cover stripe			1	<i>Green</i> 87127-T54-900-T2

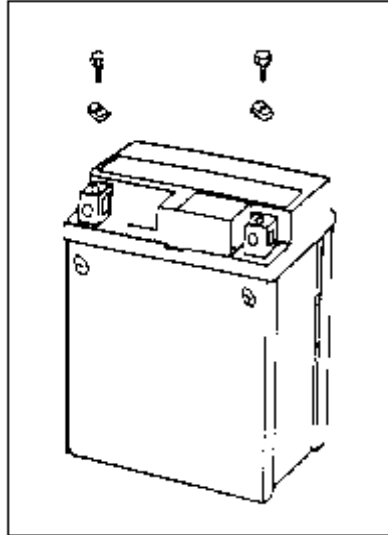




MODEL(S) BM05W-6 (JUNGLE 50)	CHANGE DATE	A P P L Y	Q T Y R E Q	
BLOCK NO. .A-1 DESCRIPTION				PARTS NUMBER
1.R. RR. winker ass'y			1	33600-T54-000
2.L. RR. winker ass'y			1	33650-T54-000
3.Tail light comp.			1	33700-T54-000
4.Tail light setting collar			2	33710-N01-000
5.RR. reflex reflector			1	33741-T45-000
6.RR.fender ass'y			1	8010A-T54-000
8.RR. fender rubber			2	80103-X01-000
9.Splash guard plate			1	80104-KBN-900
10.RR. inner fender			1	80105-T53-000
11.RR. fender			1	80110-T53-000
13.Flange bolt 6mm			4	90111-162-000B
14.Flange nut 6mm			4	90302-187-000
15.Washer screw 5×16			2	93891-05016-07
16.R. RR Winker lens			1	33602-T53-000
17.L. RR Winker lens			1	33652-T53-000
18.Tail light lens			1	33702-N28-000
19.Winker bulb 12Vx10W			2	34905-B06-000



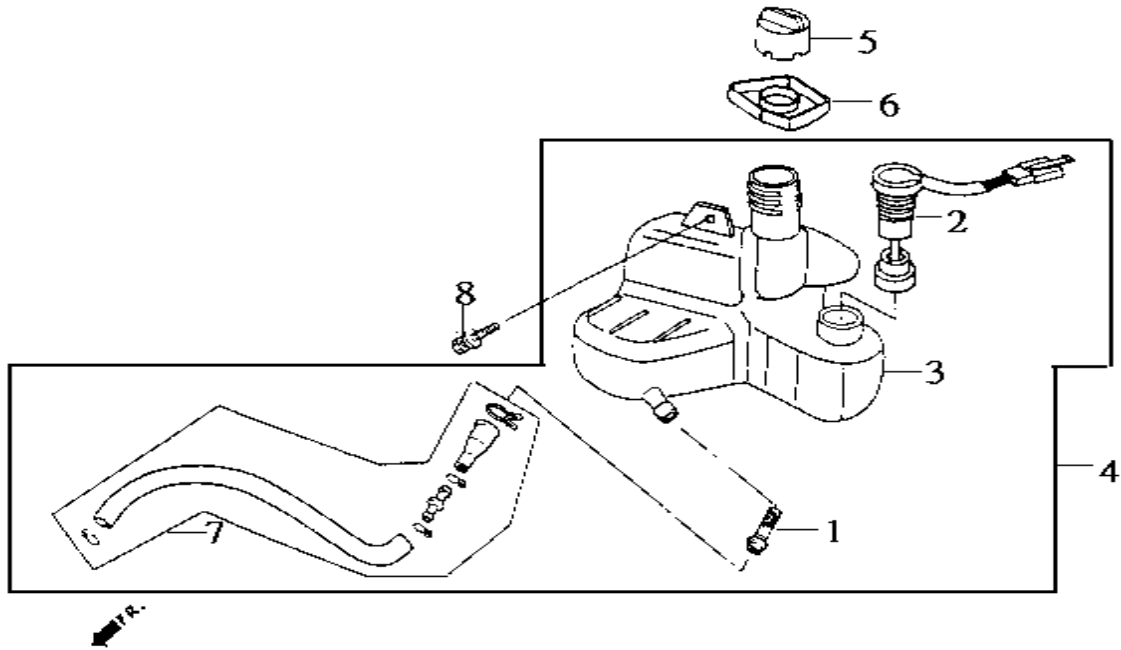
F-15 Battery



1

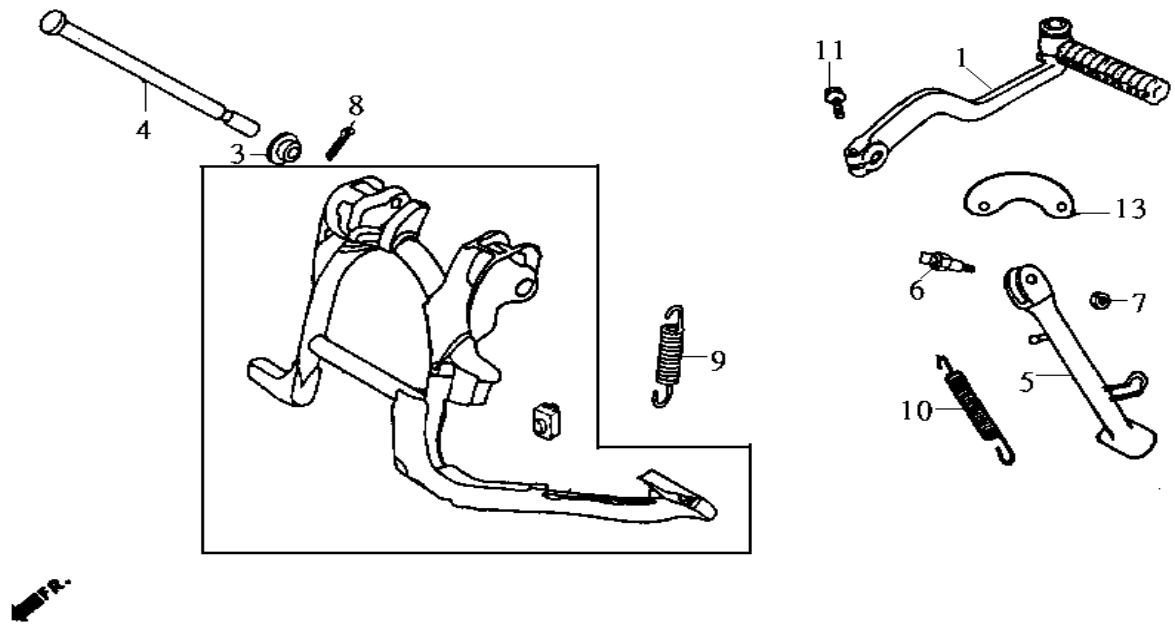
MODEL(S) BM05W-6 (JUNGLE 50)	CHANGE DATE	A P P L Y	Q T Y R E Q	PARTS NUMBER
BLOCK NO. .A-1 DESCRIPTION				
1.Battery ass'y YTX4L-BS			1	1Y01GW301-Y



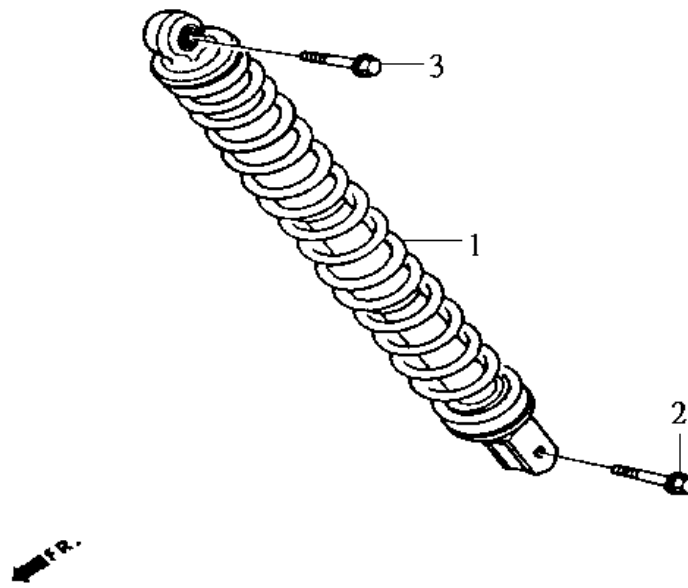


MODEL(S) BM05W-6 (JUNGLE 50)	CHANGE DATE	A P P L Y	Q T Y R E Q	PARTS NUMBER
BLOCK NO. .A-1 DESCRIPTION				
1.Oil strainer			1	17502-187-000
2.Oil lever sw. comp.			1	35410-E69-000
3.Oil tank			1	55100-G22-000
4.Oil tank ass'y			1	5510A-T5C-000
5.Oil cap ass'y			1	55105-KBN-900
6.Oil guide rubber			1	55121-KBN-900
7.Oil tube ass'y			1	55200-T5C-000
8.Washer bolt 6×16			1	93404-06016-07

F-17 Main Stand. Kick Starter Arm

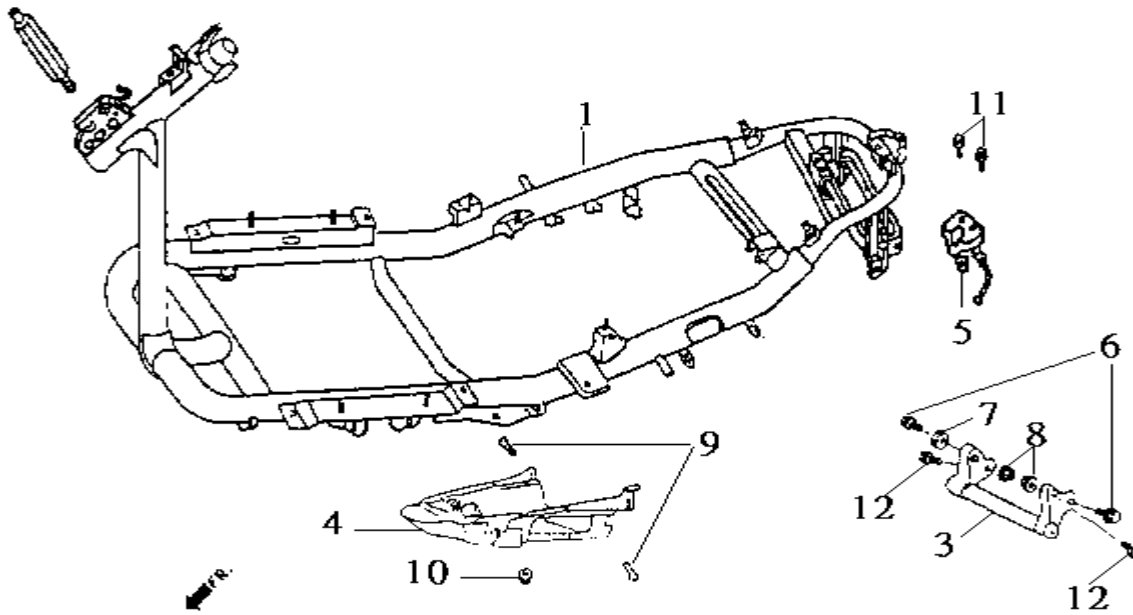


MODEL(S) BM05W-6 (JUNGLE 50)		A P P L Y	Q T Y R E Q	
BLOCK NO. .A-1 DESCRIPTION	CHANGE DATE			PARTS NUMBER
1.Arm ass'y kick start			1	28300-KBN-900
2.Main stand ass'y			1	5050A-T52-000
3.Main stand shaft rubber			1	50502-KBN-900
4.Main stand shaft			1	50503-KBN-900
5.Side stand bar comp.			1	50530-E69-000
6.Side stand pivot screw			1	90108-G03-000
7.Hex nut 8mm			1	94030-08080
8.Split pin 1.6x20			1	94201-16200
9.Main stand spg. D			1	50505-E69-900
10.Side stand spg.			1	95014-72204
11.Flange bolt 6x22			1	95701-06022-07
13.Spring plate hook			1	50542-E60-000



MODEL(S) BM05W-6 (JUNGLE 50)	CHANGE DATE	A P P L Y	Q T Y R E Q	PARTS NUMBER
BLOCK NO. .A-1 DESCRIPTION				
1.RR. cushion ass'y 2.Hex bolt 8×32 3.Flange bolt 10×35			1 1 1	52400-G22-900 93201-08032-0A 95801-10035-00

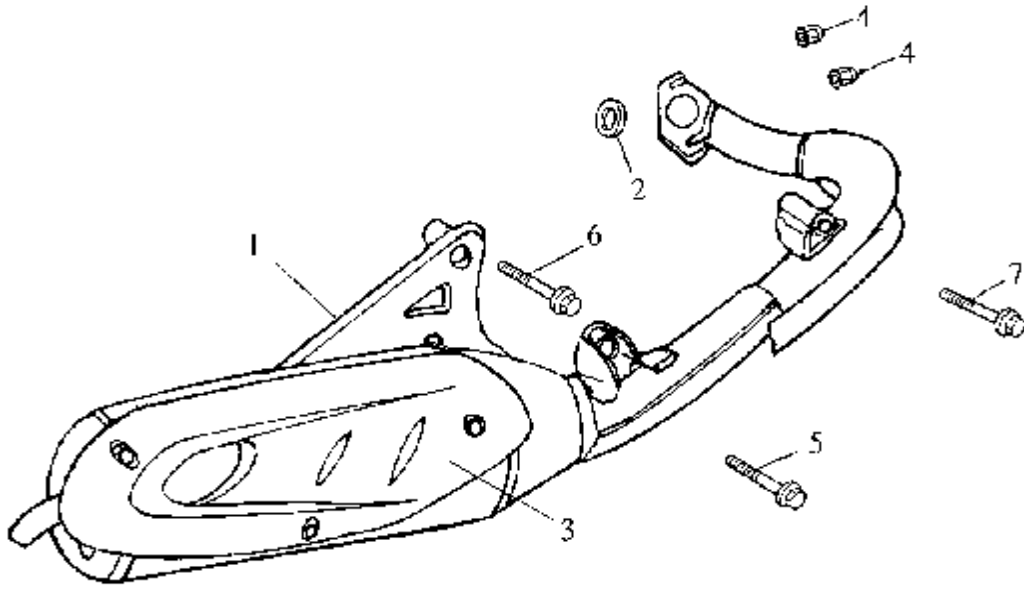
F-19 Frame Body



MODEL(S)	CHANGE DATE	A P P L Y	Q T Y R E Q	PARTS NUMBER
DESCRIPTION				
BM05W-6 (JUNGLE 50)				
BLOCK NO. .A-2				
1.Frame body comp.			1	50100-T5D-000
3.Eng. hanger link ass'y			1	50350-T5C-010
4.Under cover			1	50621-KBN-900
5.Seat catch comp.			1	77230-T53-000
6.Flange bolt 10x55			2	90106-M9Q-900
	Jan./28.2002	N	2	90106-M9Q-000
7.Collar distance			1	90121-GY6-900
8.Nut u flange 10mm			2	90304-GW0-901-M1
9.Washer bolt 6x16			2	93404-06016-07
10.Flange nut 6mm			2	94050-06070
11.Flange bolt 6x12			2	95701-06012-08
12.Flange bolt 10x70			1	95801-10070-08

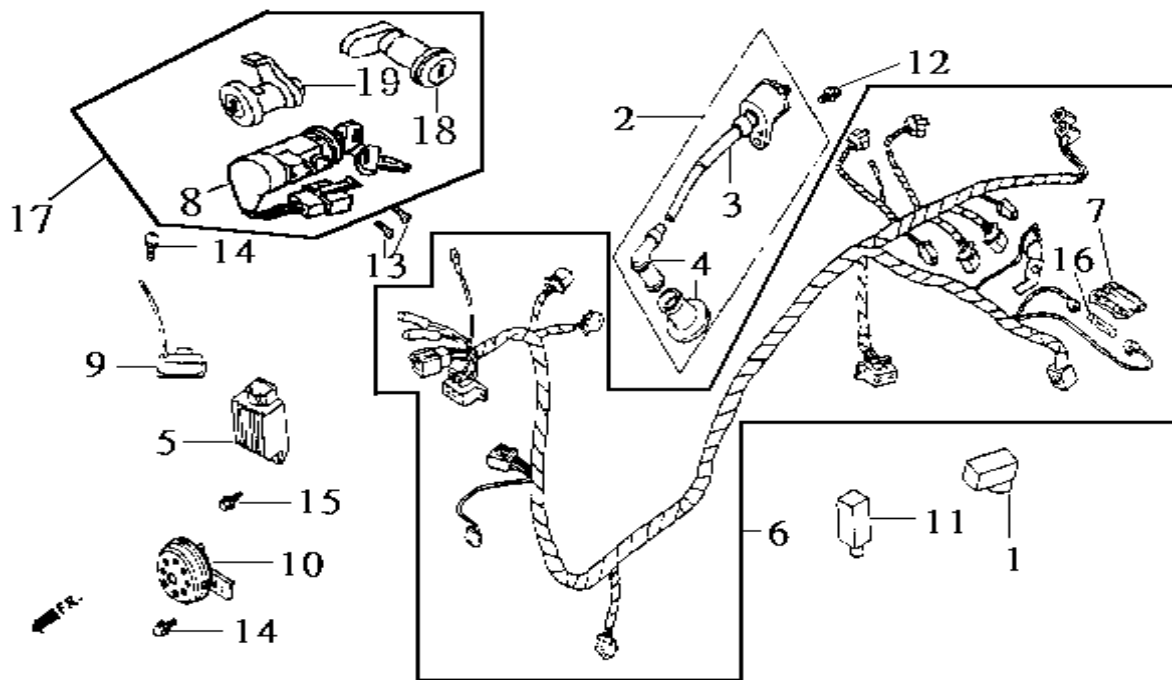


TEAMWORLD IND. 1999.10



MODEL(S) Bm05W-6		A	Q	
BLOCK NO. .A-1 DESCRIPTION	CHANGE DATE	P	T	PARTS NUMBER
		L	Y	
		Y	R	
		Q	E	
			Q	
1. EXH. MUFFLER ASSY.			1	18000-T5C-900 18000-T5E-000
2. EXH. PIPE GASKET	Jun./24.2002		1	18292-E60-010
3. MUFFLER PROTECTOR			1	18318-H2B-000
			1	<i>(Iron)</i> 18318-H2B-000
	Nov./17.2000	N	1	<i>(Plastic)</i> 18318-H2B-001
4. HEX CAP NUT 6MM			2	90304-M9Q-900
5. FLANGE BOLT 8X35			1	95701-08035-07
6. FLANGE BOLT 8X45			1	95701-08045-07
7. FLANGE BOLT 8X55			1	95701-08055-07

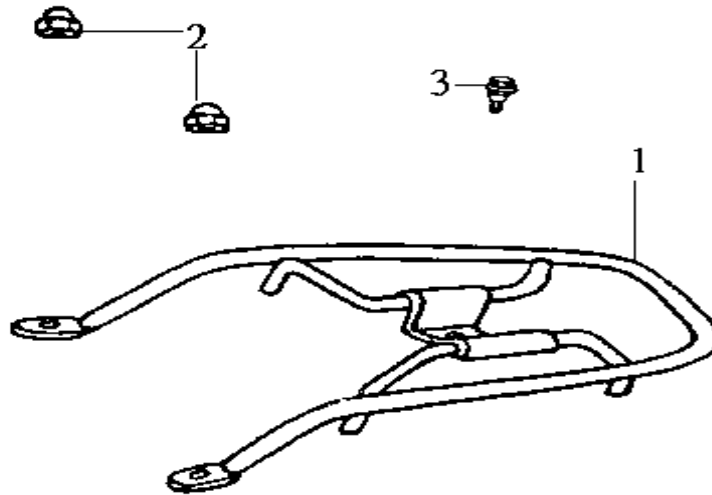
F-21 Wire Harness. Ignition Coil



MODEL(S)	CHANGE DATE	A P P L Y	Q T Y R E Q	PARTS NUMBER
BM05W-6 (JUNGLE 50)				
DESCRIPTION	BLOCK NO..A-4			
1.C.D.I. uni ass'y			1	30400-E69-020
2.Ignition coil assy	Aug./20.2001	Y	1	30400-T5G-000
3.Coil comp ign.			1	30500-E60-000
4.Cap ass'y noise suppr			1	30510-E60-000
5.Reg. rec. comp.	May/24.2001	Y	1	30700-KBN-900
6.Wire harness			1	30700-T36-000
7.Fuse case 7A	Jan./28.2002	N	1	31600-A31-000
8.Main switch set			1	32100-T54-020
9.Resistor comp.			1	32100-T5D-000
10.Horn comp.			1	32120-M9Q-000
11.Relay comp. start			1	35100-E60-000
12.Flange bolt 5×22			1	35400-M9Q-000
13.Flange screw u lock			2	38110-T54-000
14.Flange bolt 6×12			2	38501-GW2-900
15.Flange. bolt 6×14			1	90112-GK8-010
16.Fuse 7A			1	90164-X01-000
17.Key sets			1	95701-06012-08
18.Seat lock comp			1	95701-06014-08
19.Fuel lid lock comp			1	98200-10700
			1	35010-T54-010
			1	77239-T53-000
			1	77232-GW0-900



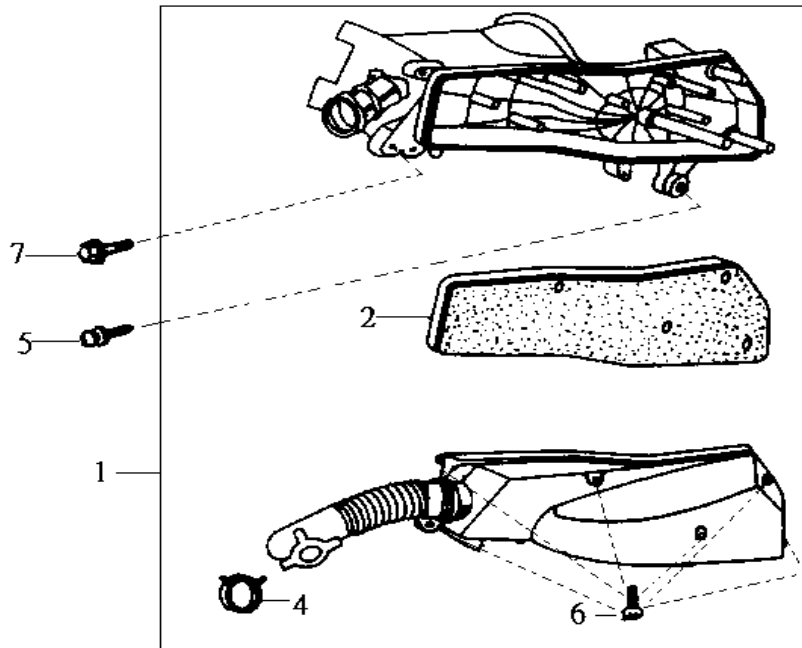
TEAMWORLD IND. 1999.10



MODEL(S) BM05W-6 (JUNGLE 50)	CHANGE DATE	A P P L Y	Q T Y R E Q	PARTS NUMBER
BLOCK NO. .A-1 DESCRIPTION				
1.RR. carrier 2.Cap nut 6mm 3.Flange bolt 6×12			1 2 1	8120A-T54-000 90215-GM0-000 95701-06012-07



F-23 Air Cleaner



MODEL(S) BM05W-6 (JUNGLE 50)	CHANGE DATE	A P P L Y	Q T Y R E Q	PARTS NUMBER
BLOCK NO. .A-1 DESCRIPTION				
1.Air/C.SET. 2.Element air/C. 4.Band air/C.conntube 5.Bolt washer 6×35 6.Screw tapping 5×20 7. Bolt flange 6×35			1 1 1 1 7 1	17200-T5C-000 17205-T5C-000 90652-GHB-640 93404-06035-07 93903-25580 95801-06035-07