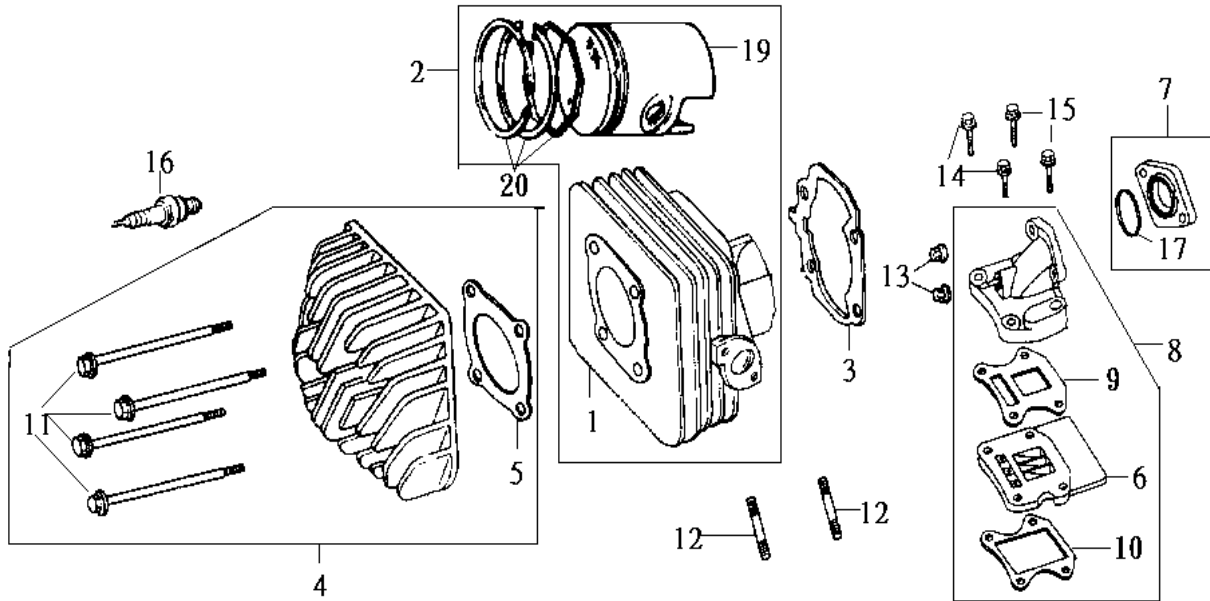


MODEL(S) BM05W-6 (JUNGLE 50)		A P P L Y	Q T Y R E Q	
BLOCK NO. .A-1 DESCRIPTION	CHANGE DATE			PARTS NUMBER
1.Fan cover comp 3.Shroud assy 4.Rubber shroud seal 6.Flange bolt SH 6x25			1 1 1 4	19610-T5C-000 19620-T5C-000 19624-KBN-900-H1 96001-06025-00

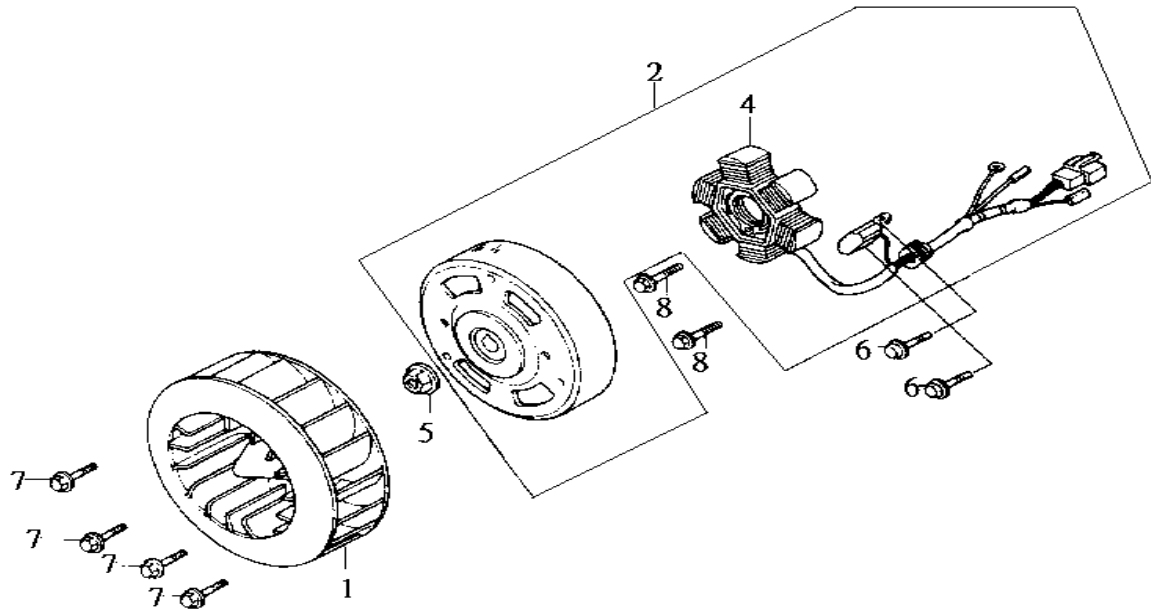
## E-02 Cylinder. Cylinder Head



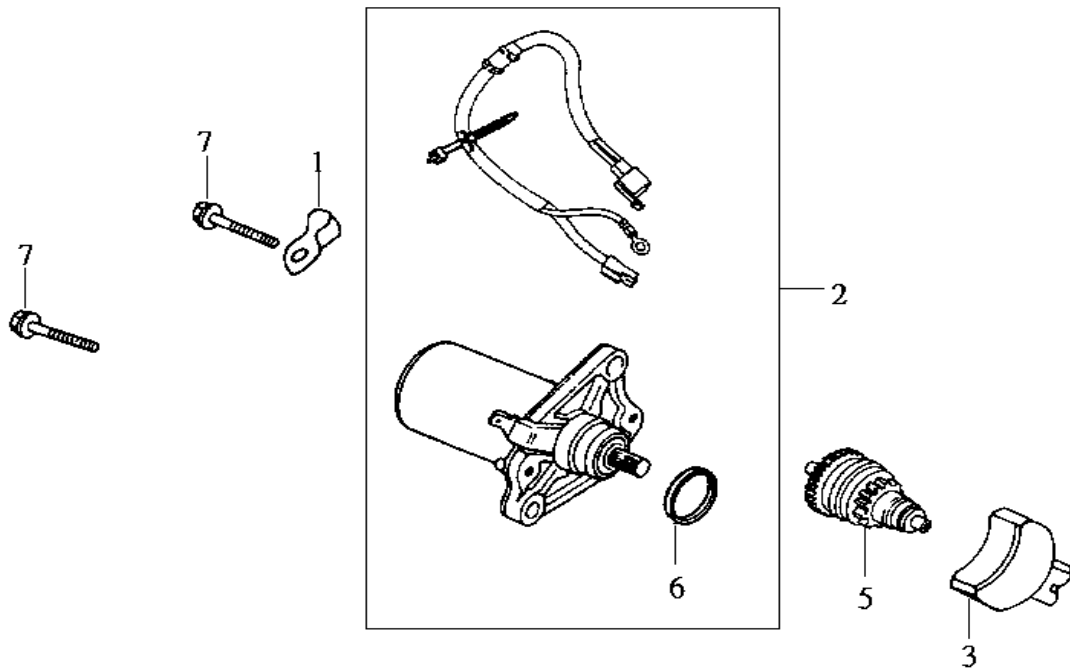
MODEL(S)		A	Q	
BM05W-6 (JUNGLE 50)		P	T	
BLOCK NO. .A-2	CHANGE	L	R	
	DATE	Y	E	
DESCRIPTION		Q		PARTS NUMBER
1.Cylinder.			1	12101-T5C-000
2.Cylinder.Piston. Ring set			1	12100-T5C-000-A
3.Cylinder Gasket			1	12191-T5C-000
4.Cylinder Head assy			1	1220A-T5C-000
5.Cylinder Head Gasket			1	12251-T5C-000
6.Read Valve Comp.			1	14100-P6A-000
7.Carburetor Insulator Assy.			1	1621A-GA1-900
8.Inlet Pipe Ass'y			1	1710A-T5C-010
	Jan./28.2002	N		<b>1710A-T5E-000</b>
9.Inlet pipe gasket A			1	17111-P6A-000
10.Inlet pipe gasket B			1	17112-P6A-000
11.Flange Bolt 7×100			4	90001-GAK-900
12.Stud Bolt 6x28			2	92700-06028-1B
13.Flange Nut 6mm			2	94050-06070
14.Flange Bolt SH 6×22			2	96001-06022-00
15.Flange Bolt SH 6×32			2	96001-06032-00
16.Spark plug(BR8HSA)	#####	Y	1	1PBR8HSA-3
17.Oil seal 20.6x1.9			1	91304-GB0-910
19.Piston			1	13101-T5C-000
20.Piston ring set			1	13010-GW0-307
	Jun./24.2002			<b>13010-M7Q-000</b>



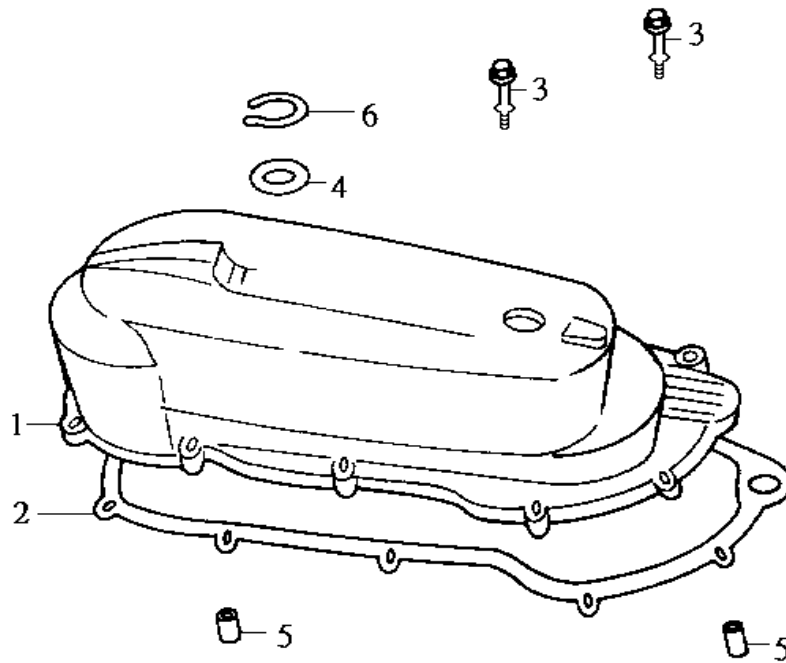
TEAMWORLD IND. 1999.10



MODEL(S) BM05W-6 (JUNGLE 50)	CHANGE DATE	A P P L Y	Q T Y R E Q	PARTS NUMBER
BLOCK NO. .A-1 DESCRIPTION				
1.Cooling Fan Comp. 2.A.C.G. Assy. (CDI) 4.Stator Comp. 5.Flange Nut 10mm 6.Flange Bolt SH 6×12 7.Flange Bolt SH 6×16 8.Flange Bolt SH 6×22			1 1 1 1 2 4 2	19510-GAK-940 31100-T5D-000 31120-T5D-000 94050-10000 96001-06012-00 96001-06016-00 96001-06022-00



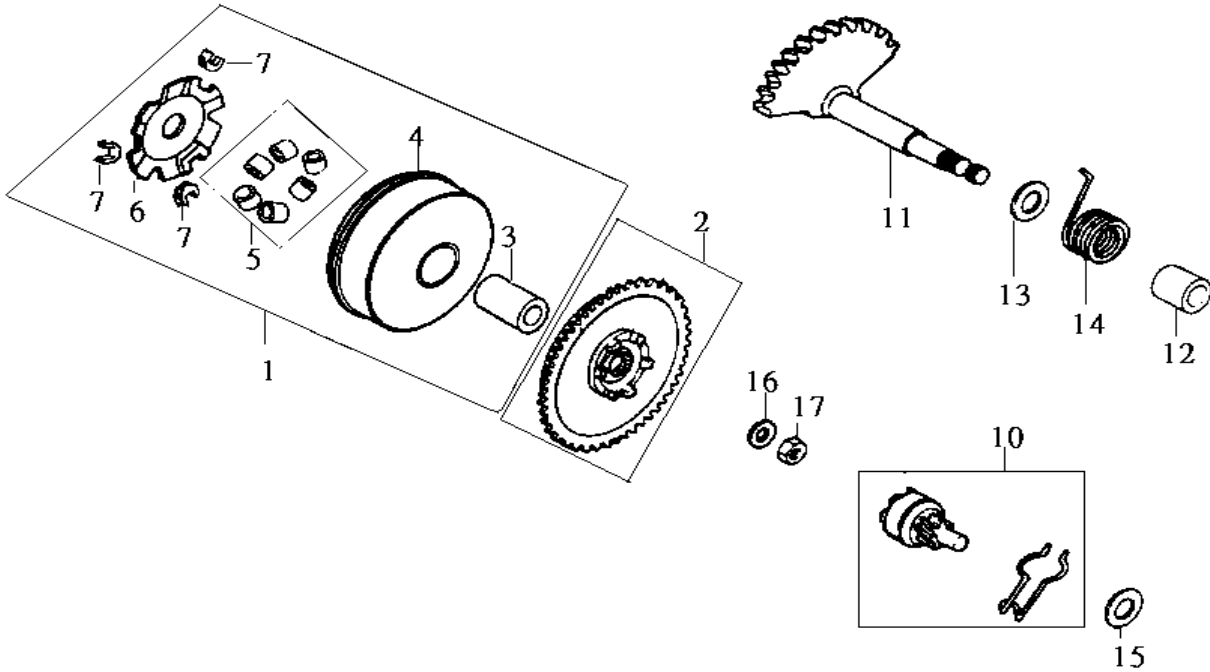
MODEL(S) BM05W-6 (JUNGLE 50)		A P P L Y	Q T Y R E Q	
BLOCK NO. .A-2  DESCRIPTION	CHANGE DATE			PARTS NUMBER
1.Carb Drain Calmper 2.Starter Motor Assy. 3.Holder Comp. Starter Pinion 5.Pinion Assy. Starter  6.O-ring 42.5×2 7.Flange Bolt SH 6×25	Jun./24.2002		1 1 1 1  1 2	11208-GAK-900 31200-T5C-000 31203-GAK-900 31209-GAK-901 <b>31209-M6Q-000</b> 91309-283-005 96001-06025-00



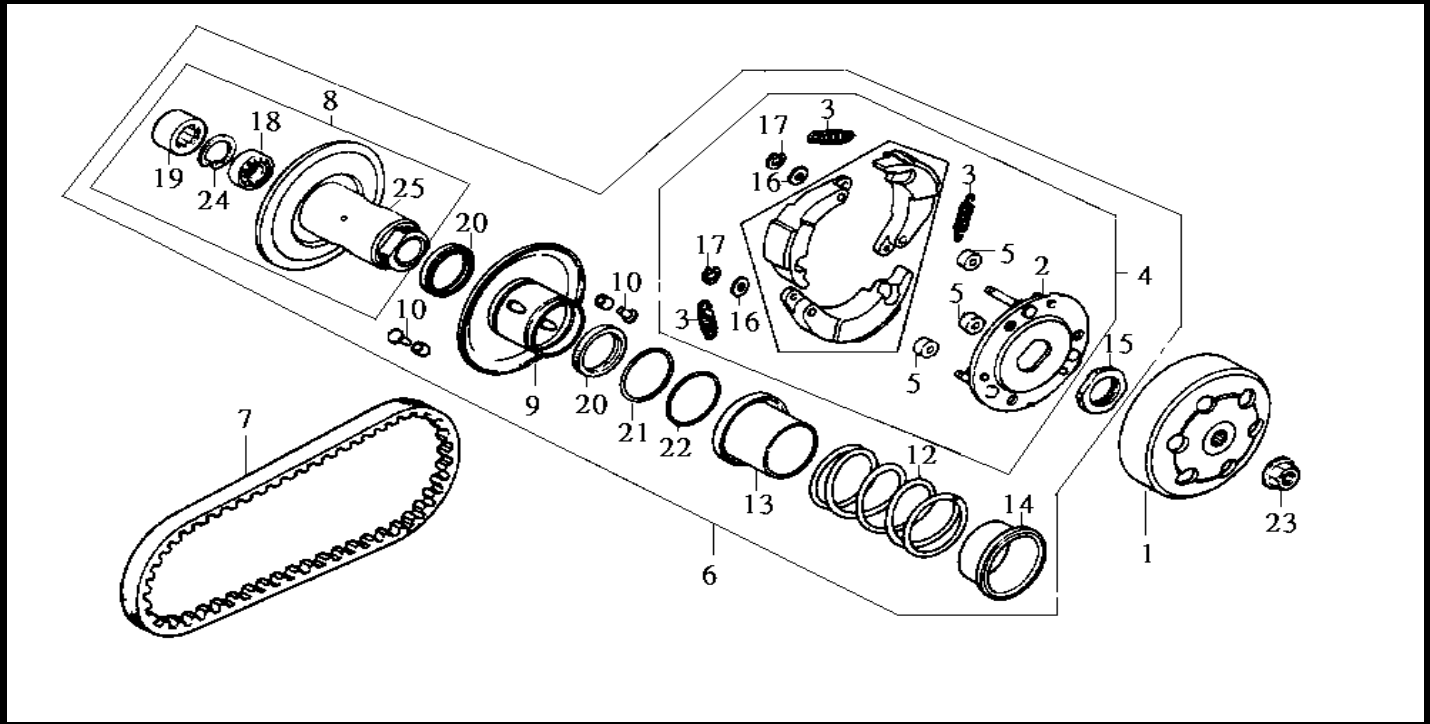
MODEL(S) BM05W-6 (JUNGLE 50)	CHANGE DATE	A P P L Y	Q T Y R E Q	PARTS NUMBER
BLOCK NO. .A-1  DESCRIPTION				
1.L Side Cover			1	11340-T52-000
2.L Cover Gasket			1	11395-T52-000
3.Special Bolt 6×28			9	9000A-F01-000
4.Kick Spindle Washer			1	90451-GN2-600
5.Dowel Pin 10×20			2	94301-10200
6.EX. Cir Clip 14mm			1	94511-14000



**E-06 Drive. Kick starter**

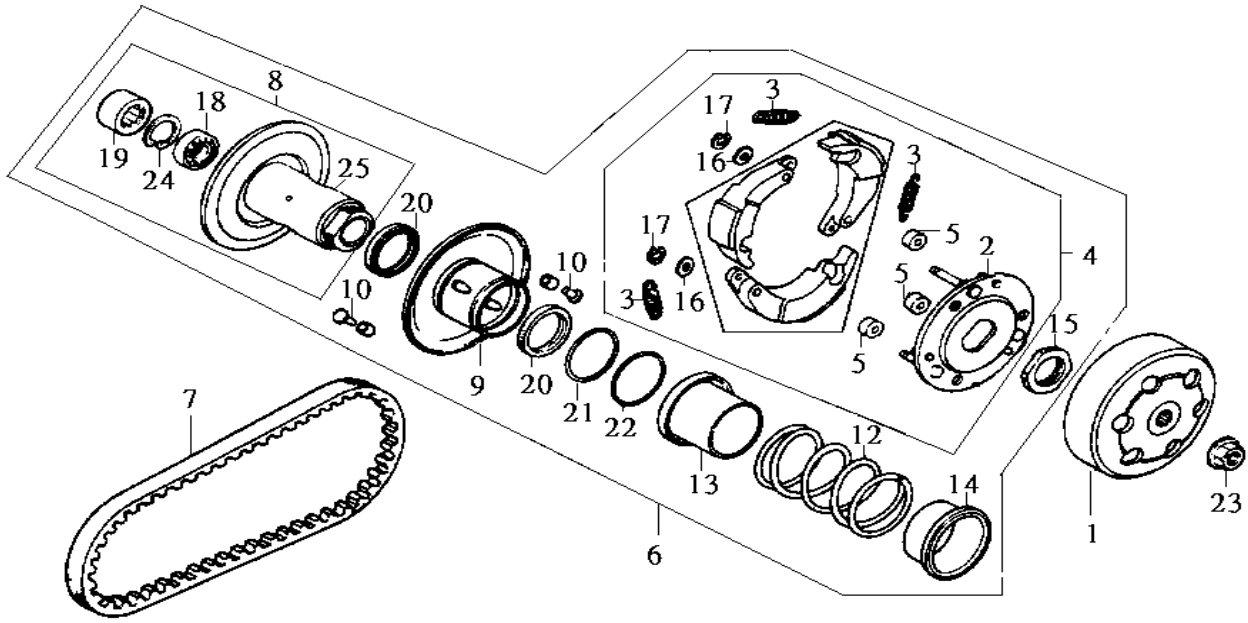


MODEL(S)	CHANGE DATE	A P P L Y	Q T Y R E Q	PARTS NUMBER
DESCRIPTION				
BM05W-6 (JUNGLE 50)				
BLOCK NO. .A-3				
1.Movable Drive Face Assy.			1	2201A-F3A-000 <b>2201A-GA1-920</b>
2.Drive Face			1	22102-GAH-720
3.Drive Face Boss			1	22105-GAH-780
4.Movable Drive Face Comp.	Jun./24.2002		1	<b>22105-M7Q-000</b> 22110-GR1-880
5.Weight Roller Comp. 7.5GR			6	22121-GZ0-003-A
(7.5GR)	Jan./28.2002	N		22121-TAA-003-A
	Jun./24.2002			<b>22121-GT8-601-A</b>
6.Ramp Plate			1	22131-GAH-780
	Jun./24.2002			<b>22131-M7Q-000</b>
7.Slide Piece			3	22132-GW0-000-A
	Jun./24.2002			<b>22132-M7Q-000-A</b>
10.Kick Driven Gear Assy.			1	2823A-GA1-920
11.Kick Starter Spindle Comp.			1	28250-G22-000
12.Kick Spindle Bush			1	28253-GN2-601
13.Kick Boss Collar			1	28255-GS6-000
14.Kick Return Spring			1	28281-GN2-602
15.Thrust Washer 10mm			1	90412-329-000
16.Special Washer 12mm			1	90426-KBN-900
17.HEX. Nut 12mm			1	94001-12200-0S



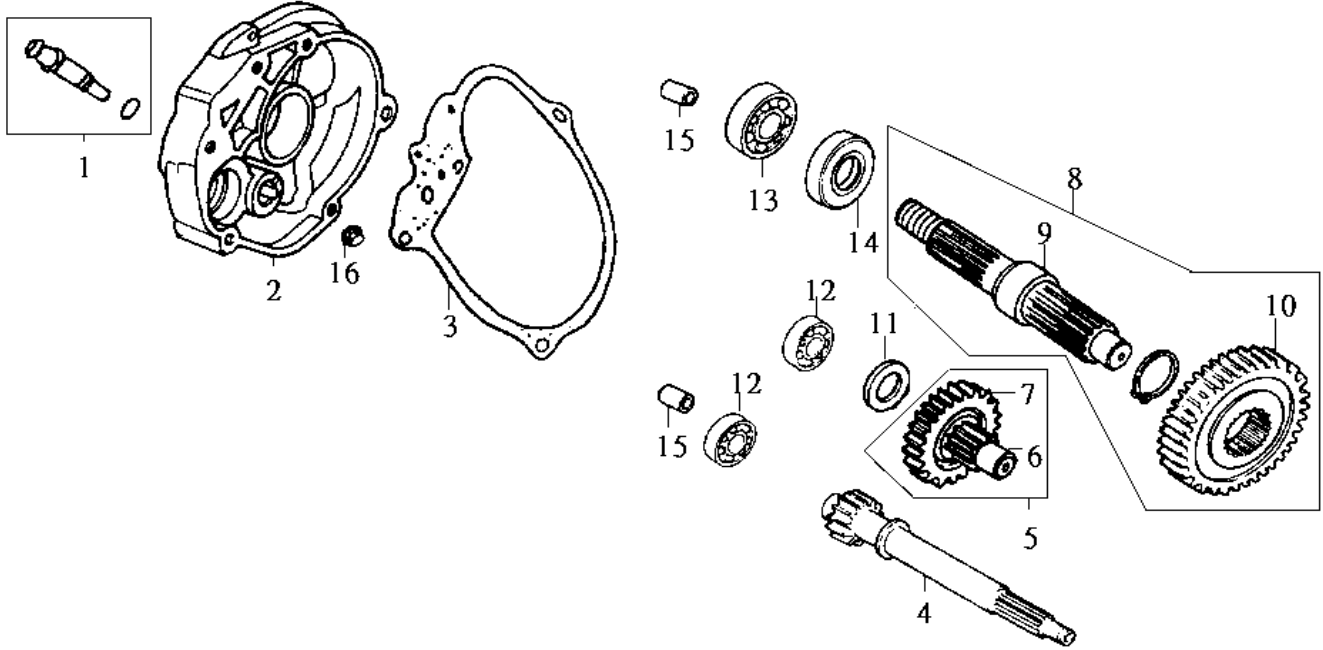
MODEL(S)		A	Q	
BM05W-6 (JUNGLE 50)		P	T	
BLOCK NO. .A-2	CHANGE DATE	P	Y	
DESCRIPTION		L	R	
		Y	E	PARTS NUMBER
			Q	
1.Clutch outer			1	22100-GR1-750
	Jun./24.2002			<b>22100-M7Q-000</b>
2.Drive plate assy			1	22350-GN2-000
3.Clutch spring			3	22401-GN2-010
4.Drive plate assy			1	22300-E60-000
5.Clutch damper rubber			1	22804-148-000
	Jun./24.2002			<b>22804-M7Q-000</b>
6.Driven pulley assy			1	23010-E60-000
	Jan./28.2002	N	1	<b>23010-T5C-910</b>
7.Drive belt			1	1B01T5201
8.Driven face assy			1	23200-GR1-750
9.Movable driven face comp			1	23220-GAK-900
10.Guide pin			3	23225-GR1-750
12.Driven face spring			1	23233-GE8-000
13.Seal collar			1	23237-GR1-880
	Jan./28.2002	N	1	<b>23237-T3F-000</b>
14.Spring collar			1	23238-GS7-010
15.Special nut 28mm			1	90202-187-000
	Jan./28.2002	N	1	<b>90202-KN7-670</b>
16.Thrust washer 6mm			3	90442-044-000
17.Cir clip 6mm			3	90454-GB2-000

**E-07-1 Driven face**



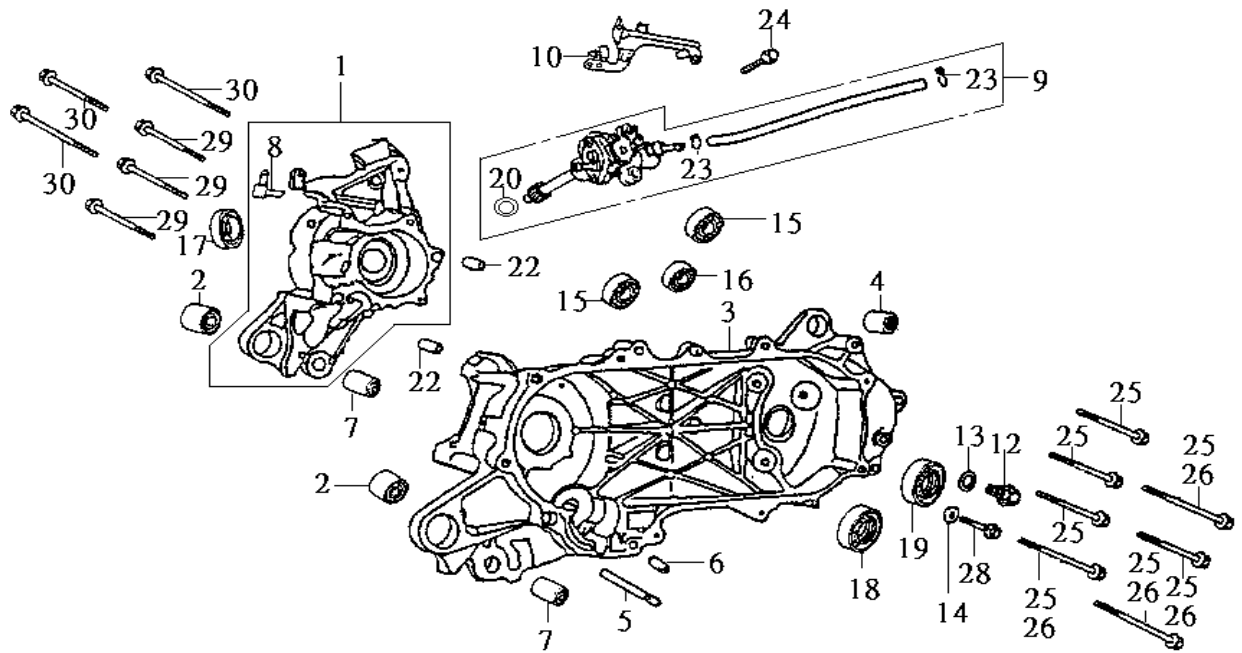
MODEL(S) BM05W-6 (JUNGLE 50)	CHANGE DATE	A P P L Y	Q T Y R E Q	PARTS NUMBER
BLOCK NO. .A-1  DESCRIPTION				
18.Radial ball brg.6901U 19.Needle brg.17x25x18ws 20.Oil seal 34x39x3 21.O-ring 36x1.5 22.O-ring 39.8x2.2 23.Flange nut 10mm 24.Cir clip in 24 25.Driven face comp			1 1 2 1 1 1 1 1 1	91001-GA7-701 91103-GR1-003 91211-GK8-013 91301-KA5-741-Y1 91302-PA9-003 94050-10000 94520-24000 23210-GR1-750





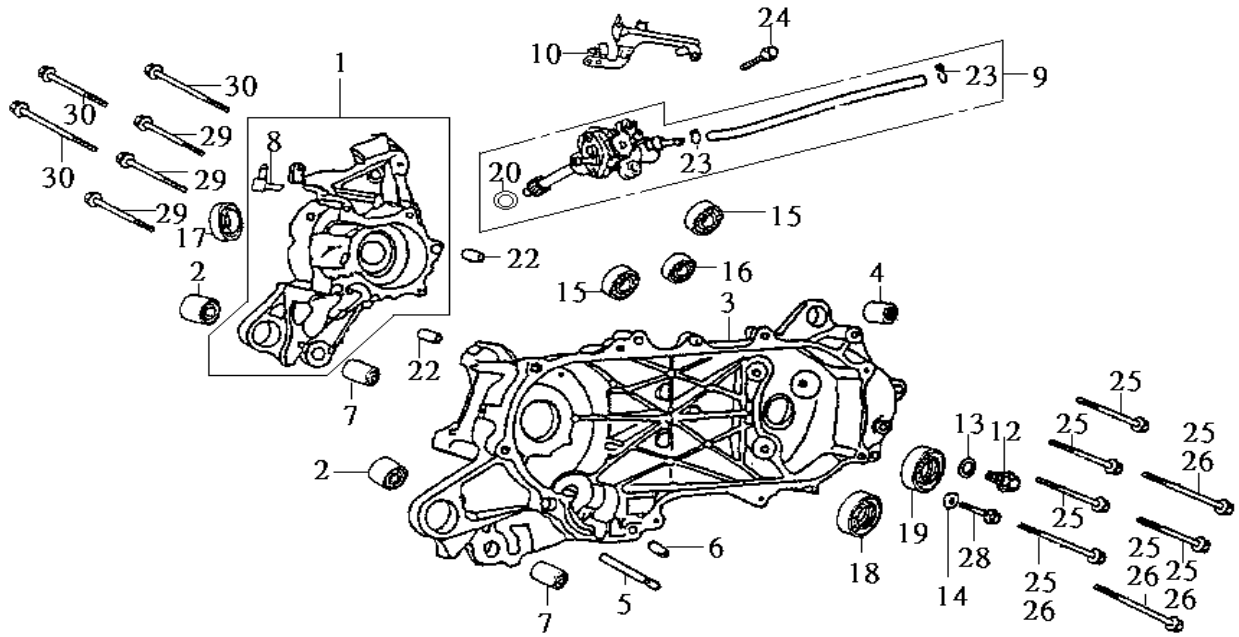
MODEL(S)	CHANGE DATE	A P P L Y	Q T Y P L E Q	PARTS NUMBER
DESCRIPTION				
BM05W-6 (JUNGLE 50)				
BLOCK NO. .A-2				
1.Brk. shoe anchor pin assy			1	1120A-KG8-000
2.Mission case comp			1	21200-GAK-900
3.Mission case gasket			1	21395-KBN-900
4.Drive shaft			1	23411-T52-000
5.Counter shaft comp			1	23420-T52-000
6.Counter shaft	Aug./30.2000	N	1	(Revised) 23421-T52-000
7.Counter gear			1	23422-T52-000-H1
8.Final shaft assy			1	2343A-T52-000
9.Final shaft			1	23431-KBN-900
10.Final gear			1	23432-T52-000
11.Side washer 12mm			1	90429-KBN-900
12.Radial ball brg.6201			2	91004-KN2-901
13.Radial ball brg.6004UU			1	91009-GE0-003-M1
14.Oil seal 27×42×7			1	91255-GE0-003
15.Doewl pin 10 × 20			2	94301-10200
16.Flange nut 8mm			1	94050-08000





MODEL(S) BM05W-6 (JUNGLE 50)	CHANGE DATE	A P P L Y	Q T Y R E Q	PARTS NUMBER
BLOCK NO. .A-1  DESCRIPTION				
19.Oil seal 17×30×6			1	91204-KBN-901-M1
20.O-ring 18.3x2.3			1	91301-166-000
22.Dowel pin 10×20			2	94301-10200
23.Tube clip B6.5			2	95002-02650-0A
24.Flange bolt 8×12			1	95701-08012-00
25.Flange bolt 8×35			2	95701-08035-00
26.Flange bolt 8×40			5	95701-08040-00
28.Flange bolt SH 6×32			1	96001-06032-00
29.Flange bolt SH 6×45			3	96001-06045-00
30.Flange bolt SH 6×55			3	96001-06055-00

## E-09 Crank Case

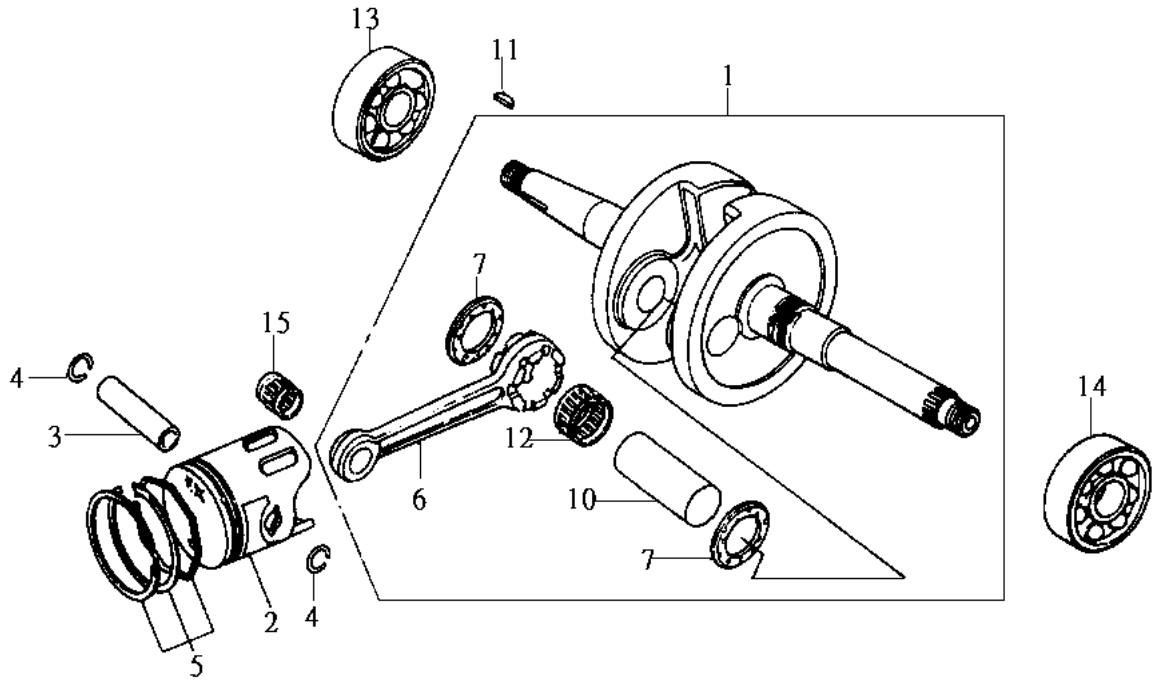


MODEL(S)		A	Q	
BM05W-6 (JUNGLE 50)		P	T	
BLOCK NO. .A-2	CHANGE	L	R	
	DATE	Y	E	
DESCRIPTION		Q		PARTS NUMBER
1. R.crank case comp		1		11100-T5C-000
2. ENG.hanger rub.bush		2		11102-187-003
3. L.crank case body		1		11200-T5C-000
4. R.R.cush.und.rub.bush		1		11203-GC7-300
	Jun./24.2002			<b>11203-M9Q-300</b>
5. Pin.spg.hook		1		11204-KBN-900
6. Bush 8×12×8		1		11205-GAH-003-H1
	Jun./24.2002			<b>11205-M7Q-300</b>
7. Bush, M stand		2		11205-KBN-900-H1
8. Pulse joint comp		1		11206-GW0-300
	Jun./24.2002			<b>11206-M7Q-300</b>
9. Oil pump assy		1		1510A-T5C-000
	Jan./28.2002	N		1510A-T5E-000
10.Oil pump set plate comp		1		15110-T5C-000
12.Oil level check bolt		1		90035-KZ1-000
13.Plain washer 10.2		1		90481-705-000
14.Washer a 8mm		1		90488-700-000
15.Ball brg.6203(TMB)		1		91004-KBN-921-M1
16.Radial ball brg.6201		2		91004-KN2-901
17.Oil seal ASSY. 15.6×25.5×7		1		91201-F01-000(VITON)
18.Oil seal ASSY.20×31×7		1		91202-F01-000



TEAMWORLD IND. 1999.10

## E-10 Crank Shaft. Piston

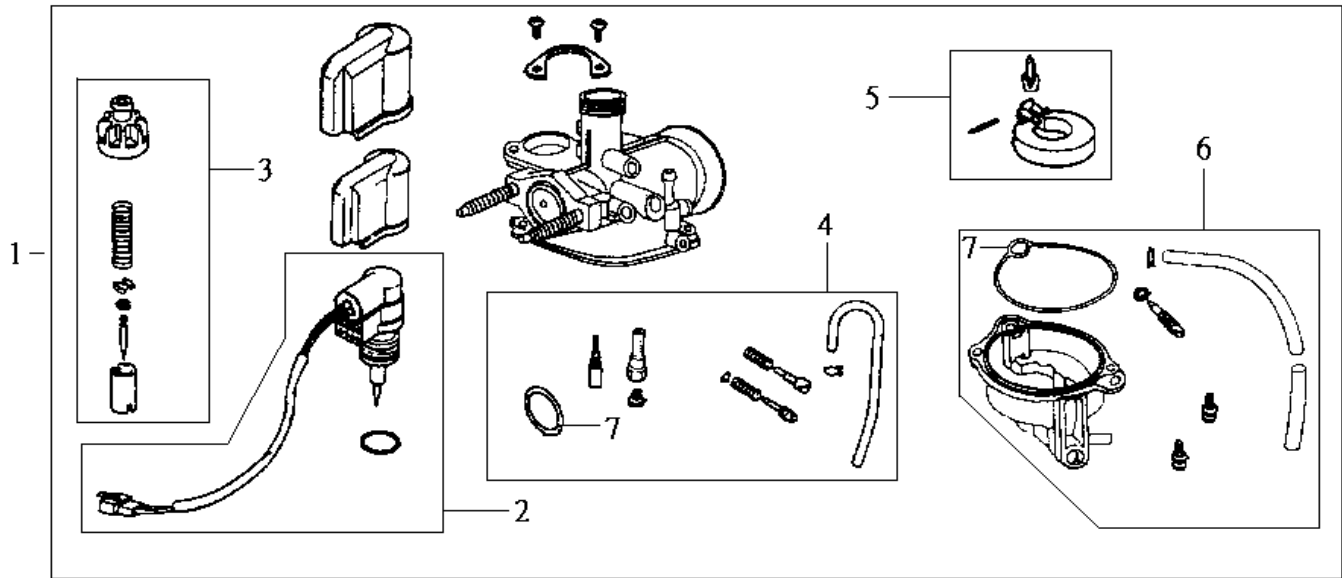


MODEL(S)		A	Q	
BM05W-6 (JUNGLE 50)		P	T	
BLOCK NO. .A-2	CHANGE	L	R	
	DATE	Y	E	
DESCRIPTION		Q		PARTS NUMBER
1.Crank shaft comp		1		13000-T52-000
2.Piston		1		13101-T5C-000
3.Piston pin		1		13111-166-000
4.Piston pin clip 12mm	Jun./24.2002	2		<b>13111-M7Q-000</b> 13115-156-000
5.Piston ring set	Jun./24.2002	1		<b>13115-M7Q-000</b> 13010-GW0-307
6.Conn rod	Jun./24.2002	1		<b>13010-M7Q-000</b> 13201-GAH-300
7.Connecting rod side plate	Jun./24.2002	2		<b>13201-M7Q-300</b> 13202-169-003
10.Crank pin	Jun./24.2002	1		<b>13202-M7Q-300</b> 13381-GAH-720-H1
11.Woodruff key 10×4	Jun./24.2002	1		<b>13381-M7Q-300</b> 90741-035-000
12.BRG.con-rod big end	Jun./24.2002	1		<b>90741-M7Q-000</b> 91001-GAK-900-E1
13.Ball radial special BRG.SC04A50	Jun./24.2002	1		<b>91001-M6Q-000</b> 91005-GW3-951-M1
14.BRG.ball radial 25×56×12		1		91006-E62-000
15.Small BRG. con-rod		1		91102-GW0-008-E1



TEAMWORLD IND. 1999.10

# E-11 Carburetor



MODEL(S) BM05W-6		A	Q	
BLOCK NO. .A-3	CHANGE DATE	P	T	
DESCRIPTION		L	Y	PARTS NUMBER
		Y	R	
		E	E	
		Q	Q	
1. Carburetor assy.	Mar./12.2001 Jun./24.2002	Y	1 1 1	16100-T5C-010 16100-T5C-900 <b>16100-T5E-000</b>



TEAMWORLD IND. 2000