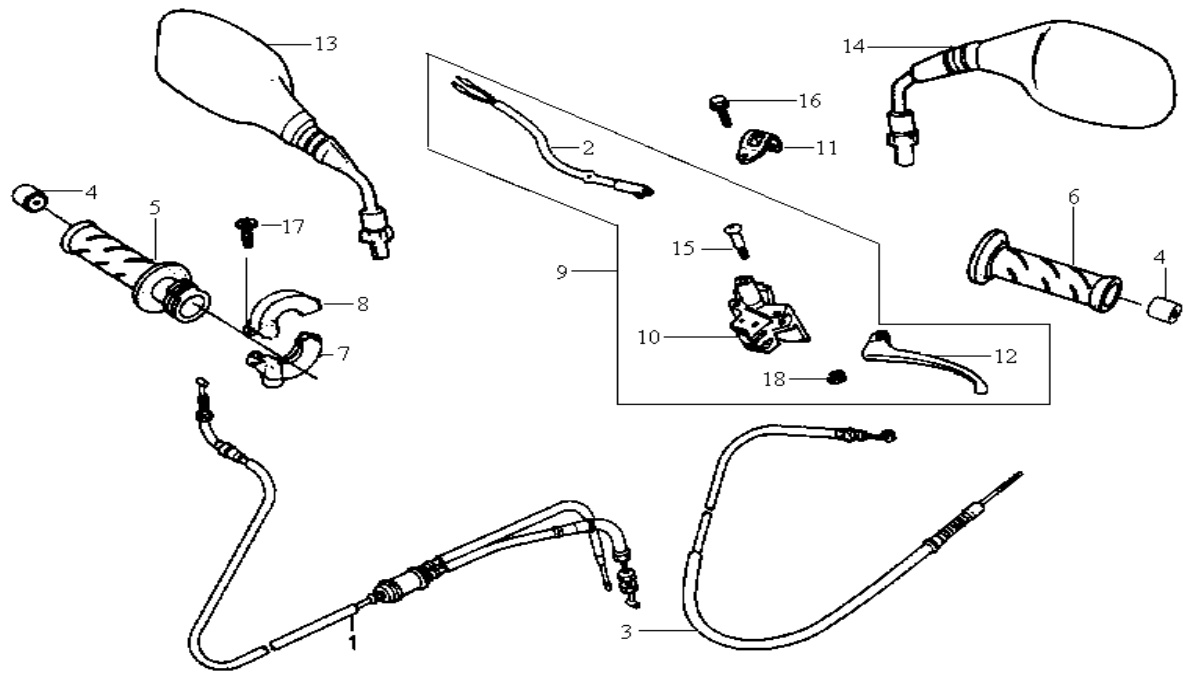


MODEL(S) BL05W2-6		A P P L Y	Q T Y R E Q		
BLOCK NO..A-1 DESCRIPTION	CHANGE DATE			PARTS NUMBER	
1.Head light assy.(E-mark) 2.Tapping screw 5×12 3.Bulb head light (E-mark) (Lamp 12V-15W)	Aug./7.2000	N	1 6 2	(REVISED)	3310A-E69-000 93903-25220 34901-E60-000



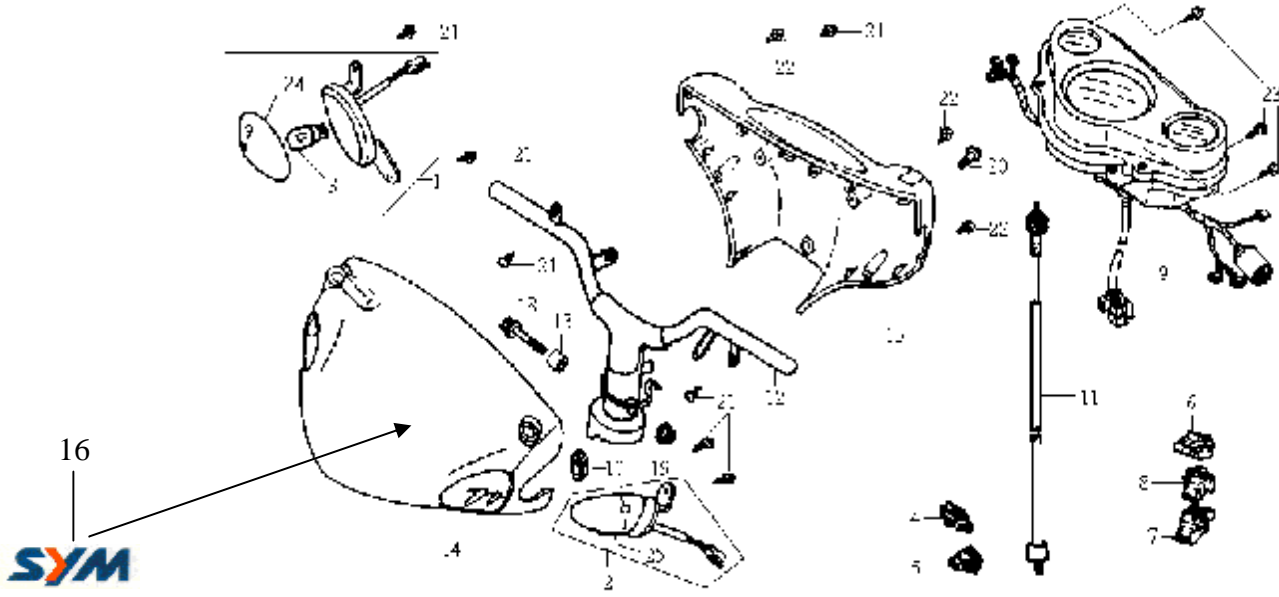
F-02 Handle Lever. Switch . Cable



MODEL(S)	CHANGE DATE	A P P L Y	Q T Y R E Q	PARTS NUMBER
BL05W2-6				
DESCRIPTION				
1.Trottle cable comp.			1	17910-T5C-000
2.FR.stop sw.assy			1	35340-E69-000
3.RR.brake cable comp.			1	43450-E69-010
4.Handle end.strg.			2	53105-H01-000
5.Throt. grip comp.			1	53140-KBN-900
6.L.handle grip			1	53166-KBN-900
7.Throt.und. housing			1	53167-GN2-020
8.Throt.up. housing			1	53168-GN2-020
9.L.handle lever assy.			1	5317A-T5C-000
10.Handle braket			1	53172-G22-000
11.Handle brkt. band			1	53173-GS7-003
12.L.strg. handle lever.			1	53178-T5C-000
13.R.back mirror assy.			1	88110-G22-000
14.L.back mirror assy.			1	88120-G22-000
15.Handle lever pivot screw			2	90115-T40-000
16.Washer bolt 6 × 20			1	93401-06020-00
17.Pan screw 5 × 22			1	93500-05022-0A



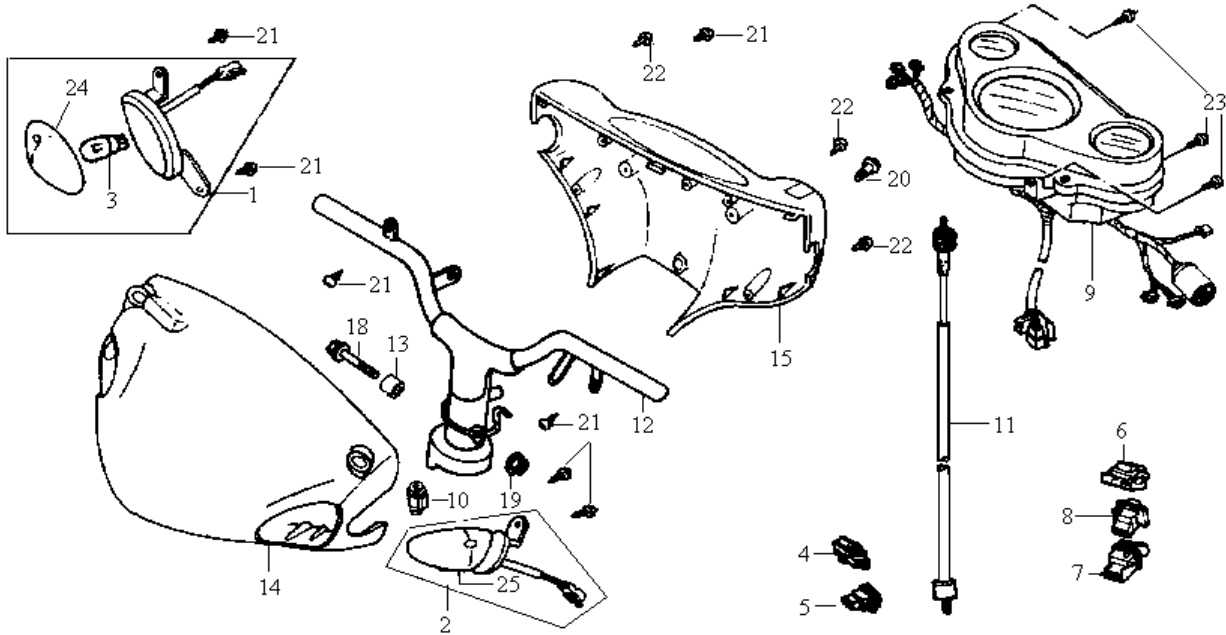
TEAMWORLD IND. 2000



MODEL(S)	CHANGE DATE	A P P L Y	Q T Y R E Q	PARTS NUMBER
BL05W2-6				
DESCRIPTION				
1.R FR. winker assy.(E-mark)			1	33400-E69-010
2.L FR. winker assy.(E-mark)			1	33450-E69-010
3.Winker bulb 12V-10W.(E-mark)			2	34905-E69-000
4.Light SW.unit			1	35150-A39-000
5.Start SW.unit			1	35160-GW0-900
6.Dimmer SW.unit			1	35170-E69-000
			1	35170-GW0-900
7.Horn SW.unit			1	35180-GW0-900
8.Winker SW.unit			1	35200-M9Q-000
9.Meter assy.			1	37200-E69-030
10.Flasher Relay			1	38300-T40-010
11.Spd.cable comp.			1	44830-E69-000
12.Strg.handle comp.			1	53100-G22-000
13.Handle setting collar			1	53125-M9Q-000
14.FR.handle cover (R-100C)			1	5320B-T52-000-RY
15.RR.handle cover (GY-426U)			1	53206-G22-007-GK
16.FR. Handle cover stripe			1	87123-G22-000-T1



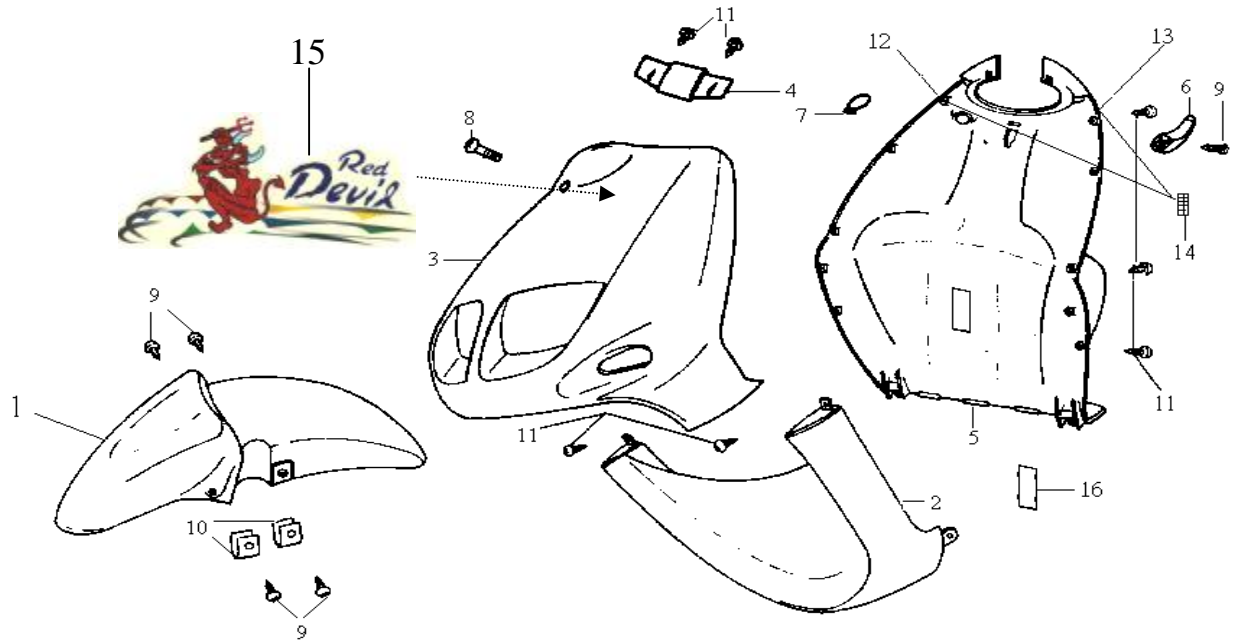
F-03-1 Steering Handle , Handle Cover



MODEL(S)	CHANGE DATE	A P P L Y	Q T Y R E Q	PARTS NUMBER
BL05W2-6				
DESCRIPTION				
18.Flange bolt 10 × 50			1	90106-GN5-900
19.Flange u nut 10mm			1	90304-GW0-901-M1
20.Pan screw 5 × 7			1	91508-A26-000
21.Tapping screw 4 × 12			6	93903-34320
22.Tapping screw 4 × 12			4	93903-34380
23.Tapping screw 5×16			3	93903-35320
24.R FR. winker lens.(E-mark)			1	33402-G22-010
25.L FR. winker lens.(E-mark)			1	33452-G22-010

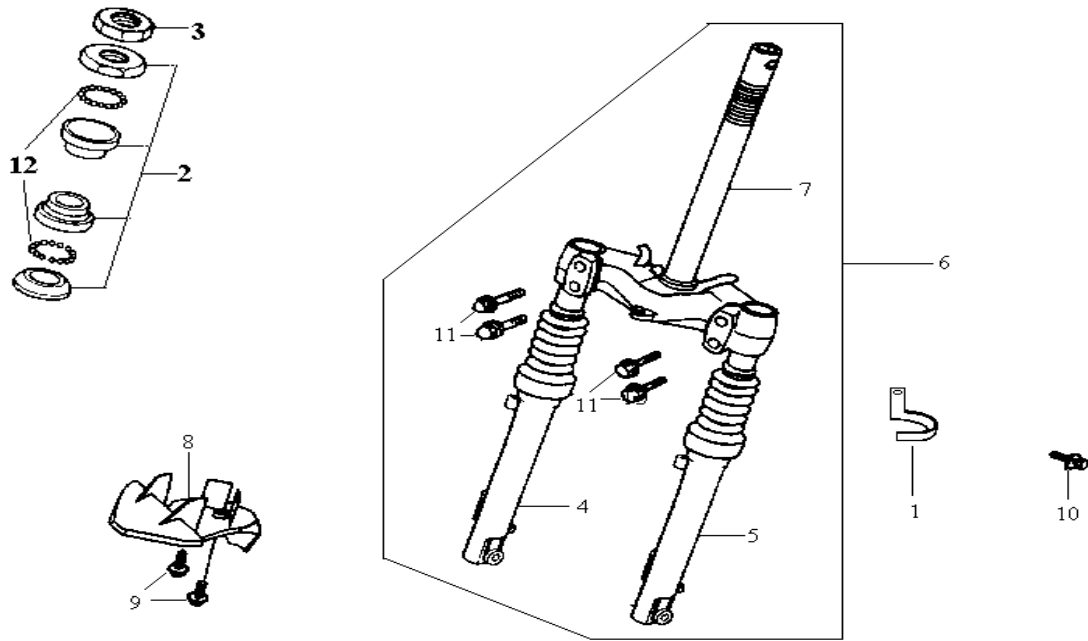


TEAMWORLD IND. 2000



MODEL(S)	CHANGE DATE	A P P L Y	Q T Y R E Q	PARTS NUMBER
BL05W2-6				
BLOCK NO. .A-2	DATE			
DESCRIPTION				
1.FR.fender assy. (R-100C)			1	RED 6110A-G22-000-RY
2.FR.under spoiler			1	61120-G22-000-RY
3.FR.cover			1	6430G-T57-000-RY
4.FR.up plate			1	64305-G22-000-GK
5.FR.inner cover assy.(GY-426U)			1	6431A-E69-000-GK
6.Luggage hook (GY-426U)			1	81132-GAH-000-GK
7.Luggage stopper			1	81133-KBN-900
8.Special screw 6mm			1	90110-GZ0-000
9.Special screw 6mm			5	90164-MR4-900
10.Clip nut 6mm			2	90305-GK8-000
11.Tapping screw 4 ×12			7	93903-34380
12.R. side reflex reflector Base			1	33740-E69-000
13. L. side reflex reflector Base			1	33750-E69-000
14. R. L. side reflex reflector			2	33743-P1A-000
15. Fr. cover stripe			1	87125-T57-000-T1
16. Frame number lid	Aug./16.2000		1	(New add) 81132-H1A-000-GK

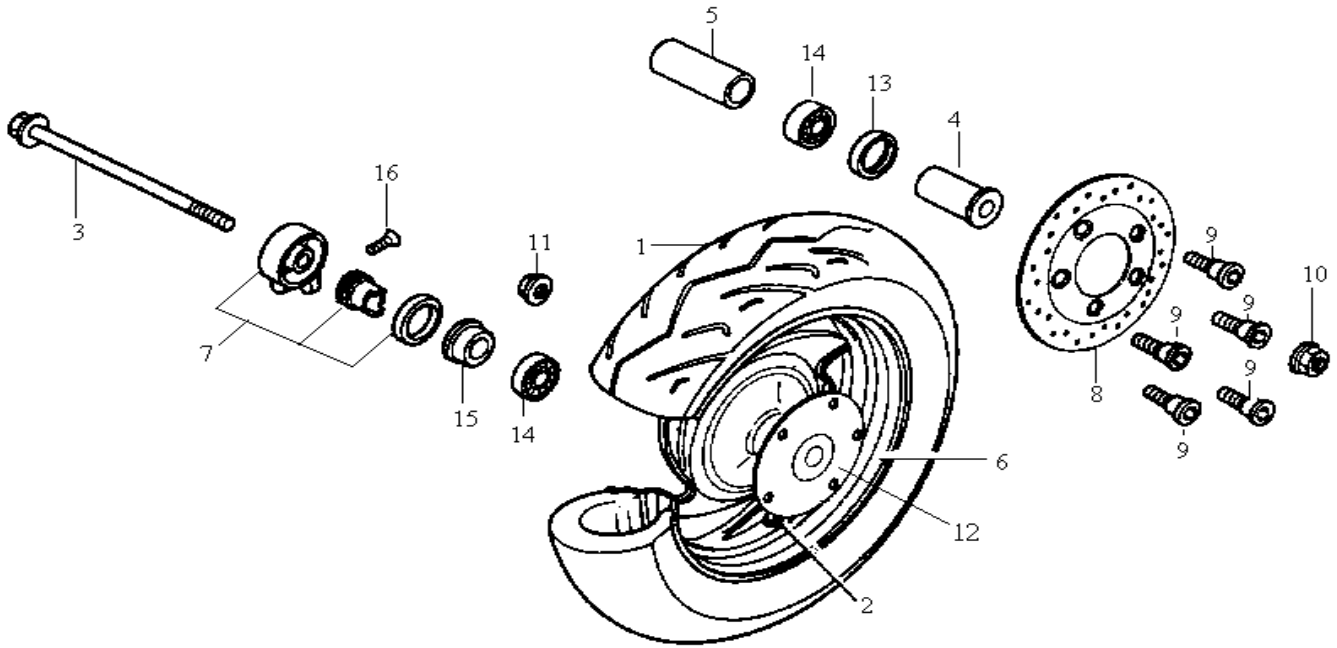




MODEL(S) BL05W2-6	CHANGE DATE	A P P L Y	Q T Y R E Q	PARTS NUMBER
BLOCK NO. .A-1 DESCRIPTION				
1.FR.brk.hose clamp			1	45156-GW0-911
2.Strg.stem ball race set			1	50300-GC8-000
3.Strg.stem lock nut			1	50306-196-000
4.FR.R.cushion			1	51400-G22-001
5.FR.L. cushion			1	51500-G22-001
6.FR.fork assy.			1	5320A-G22-000
7.Steering stem pipe			1	53200-G22-000
8.FR.inner fender (GY-426U)			1	61110-G22-000-GK
9.Special bolt 5mm			2	90112-GC3-000
10.Flange bolt 6 × 12			1	95701-06012-00
11.Flange bolt 8 × 40			4	95801-08040-00
12.Steel ball #5			2	96211-05000



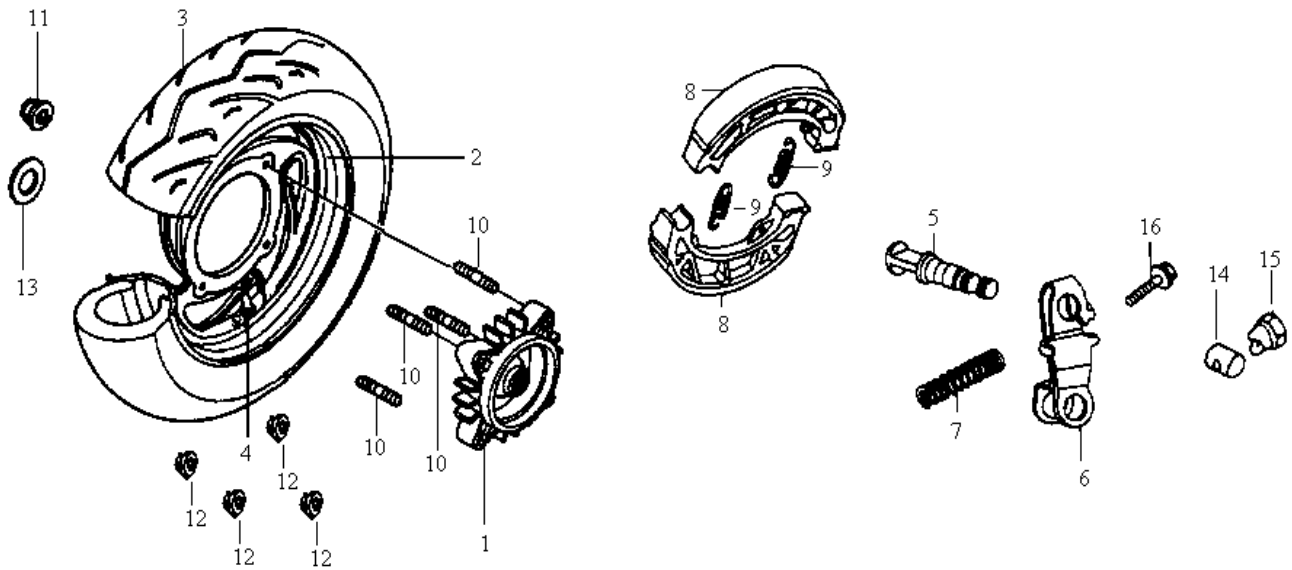
F-06 Front Wheel



MODEL(S)	CHANGE DATE	A P P L Y	Q T Y R E Q	PARTS NUMBER
BL05W2-6				
DESCRIPTION	BLOCK NO. .A-2			
1.FR. trie (120/90-10) tubeless			1	1T011209010-4PR-TM1
2.Rim valve			1	42753-KJ9-000
3.FR. wheel axle			1	44301-G22-000
4.FR. wheel side collar			1	44311-H09-000
5.FR. axle dist. collar comp.			1	44620-T55-000
6.FR. wheel comp.(GY-1406S)			1	42705-T55-000
7.Spdmt.gear box assy.			1	44800-G22-000
8.FR.brake disk			1	45121-G22-000
9.FR.disk bolt 8 × 24			5	90105-KR3-000
10.Flange u nut 12mm			1	90306-GW0-901-M1
11.U nut flange 8mm			1	90309-M9Q-000-M1
12.Fr. Wheel hub comp.			1	44601-T55-000-GR
13.Dust seal 20 × 32× 5			1	90754-GC8-005
14.Bearing 6210 (U)			2	90912-GC8-003
15.Spdmt gear box seal			1	91258-KM1-004
16.Oval screw 5 × 18			1	93700-05018-0A



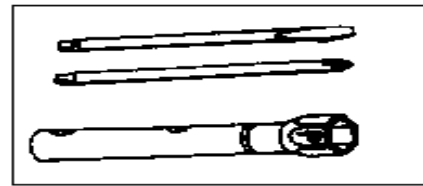
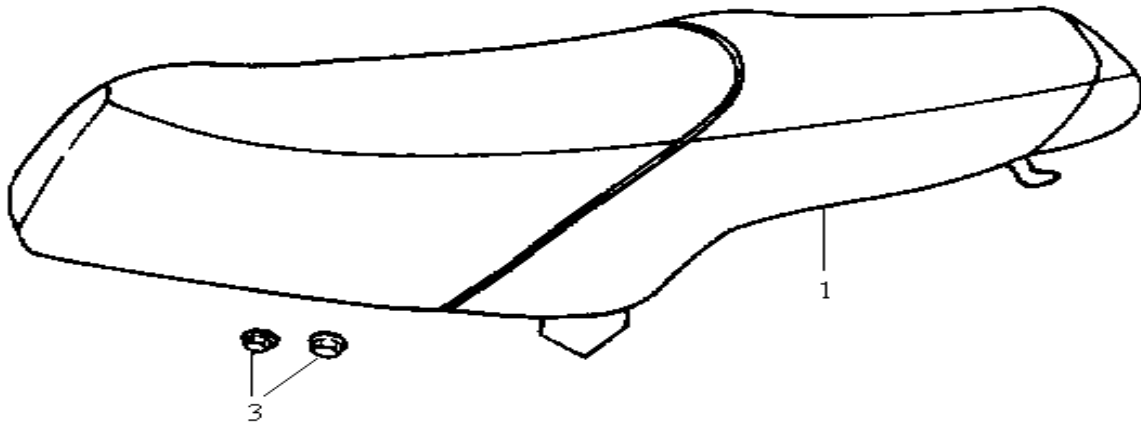
TEAMWORLD IND. 2000



MODEL(S)	CHANGE DATE	A P P L Y	Q T Y R E Q	PARTS NUMBER
BL05W2-6				
DESCRIPTION	BLOCK NO. .A-2			
1.RR. wheel hub comp.			1	42601-GAK-900-GR
2.RR. wheel comp.			1	42705-T55-000
3.RR. tire (130/90-10 Tubeless)			1	1T011309010-4PR-TM1
4. Rim valve			1	42753-KJ9-000
5.RR.brake cam assy.			1	4314A-GA1-700
6.RR. brake arm comp.			1	43410-G2B-000
7.RR. brake arm spring			1	43472-T5C-000
8.Brake shoe COMP.(Non-asbestos)			2	45120-E60-000
9.Brake shoe spring			2	45133-028-000
10.Stud ii bolt 8 × 22			4	90110-KG8-900
11.U nut 16mm			1	90305-KBN-902-M2
12.Flange u nut 8mm			4	90309-M9Q-000-M1
13.Washer 16mm			1	90501-KBN-900
14.Brake Arm Joint B			1	95015-32001
15.Adjust nut B			1	95015-42000
16.Flange bolt 6×32			1	95701-06032-00

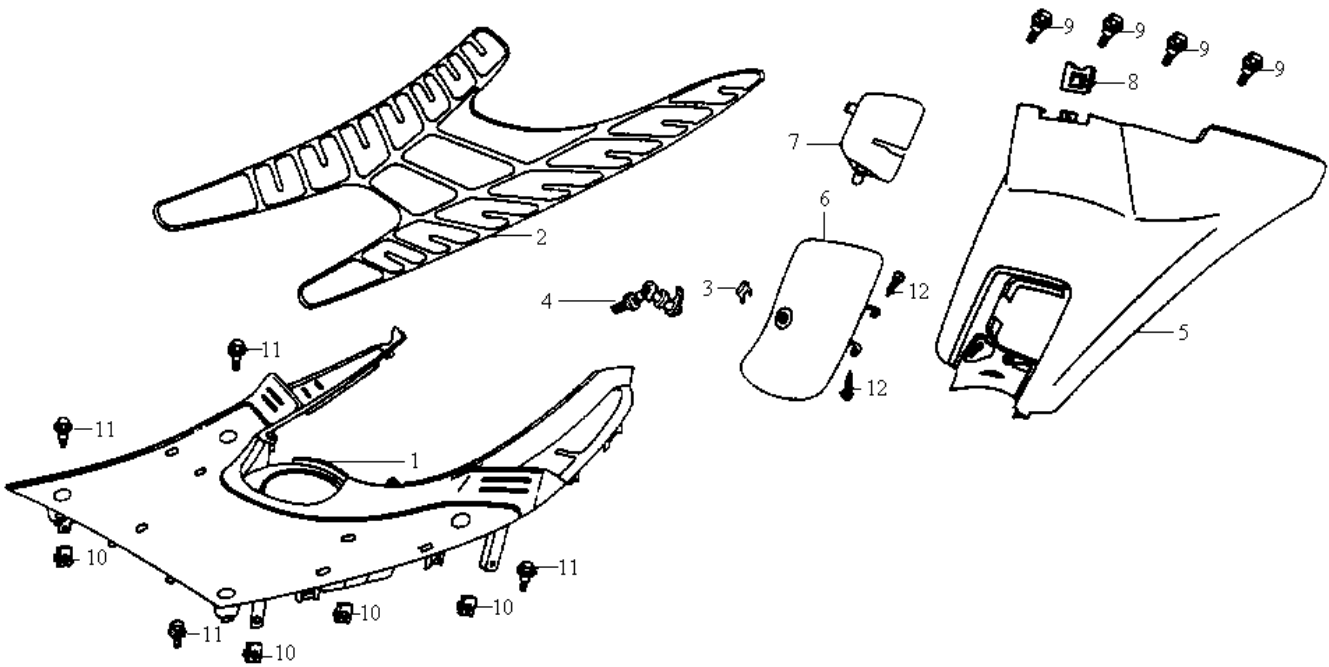


F-08 Seat



MODEL(S) BL05W2-6		A P P L Y	Q T Y R E Q	
BLOCK NO. .A-1 DESCRIPTION	CHANGE DATE			PARTS NUMBER
1.Double seat comp.(BK-001L) 2.Tool assy. 3.Flange nut 6mm			1 1 2	77200-G22-000-BK 89010-KBN-000 94050-06080

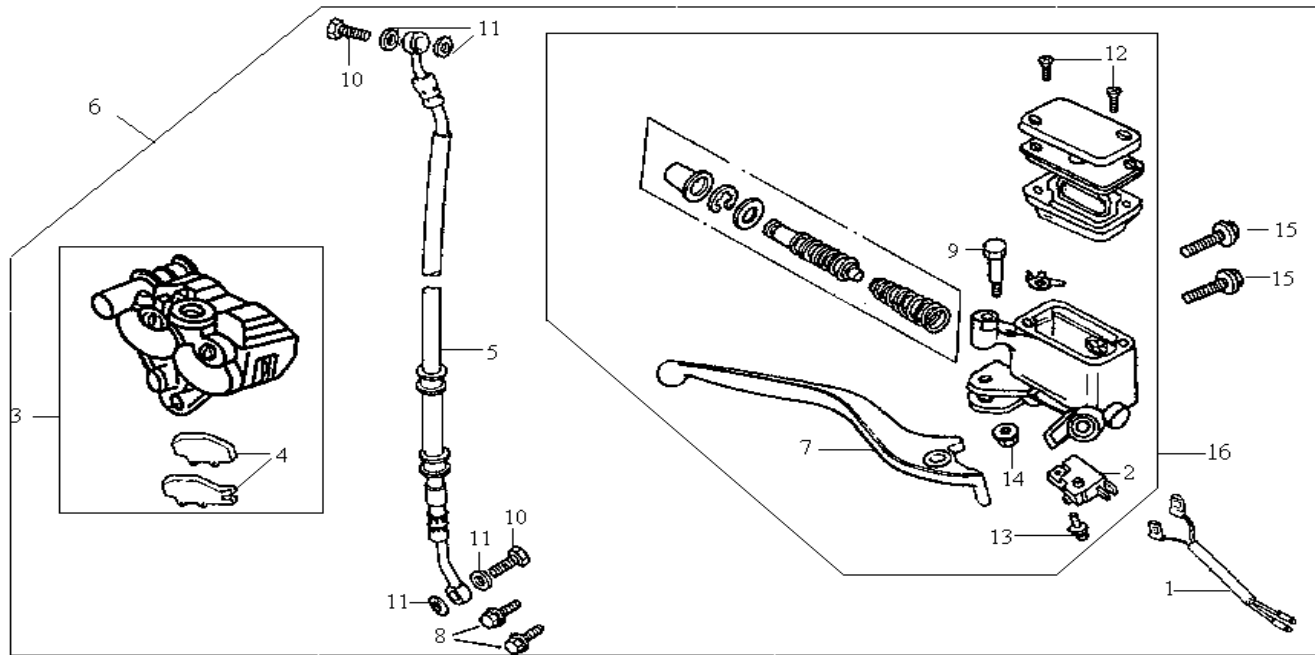




MODEL(S)	CHANGE DATE	A P P L Y	Q T Y R E Q	PARTS NUMBER
BL05W2-6				
DESCRIPTION	BLOCK NO. .A-1			
1.Floor step (GY-426U)			1	64310-KBN-900-GK
2.Floor mat (GY-426U)			1	64320-KBN-900-GK
3.Lock key set SPG.			1	75581-M9Q-000
4.Seat lock plate			1	77232-KBN-900
5.Center cover (GY-426U)			1	80151-KBN-900-GK
6.Fuel lid (GY-426U)			1	80152-KBN-900-GK
7.Plug maint.cover (GY-426U)			1	80153-KBN-900-GK
8.Clip nut 6mm			1	90305-GK8-000
9.Special screw 6 × 17			4	90381-GZ5-000
10.Clip nut 5mm			4	90677-GR1-003
11.Washer bolt 6×20			4	93404-06020-00
12.Tapping screw 4×8			2	93903-24220



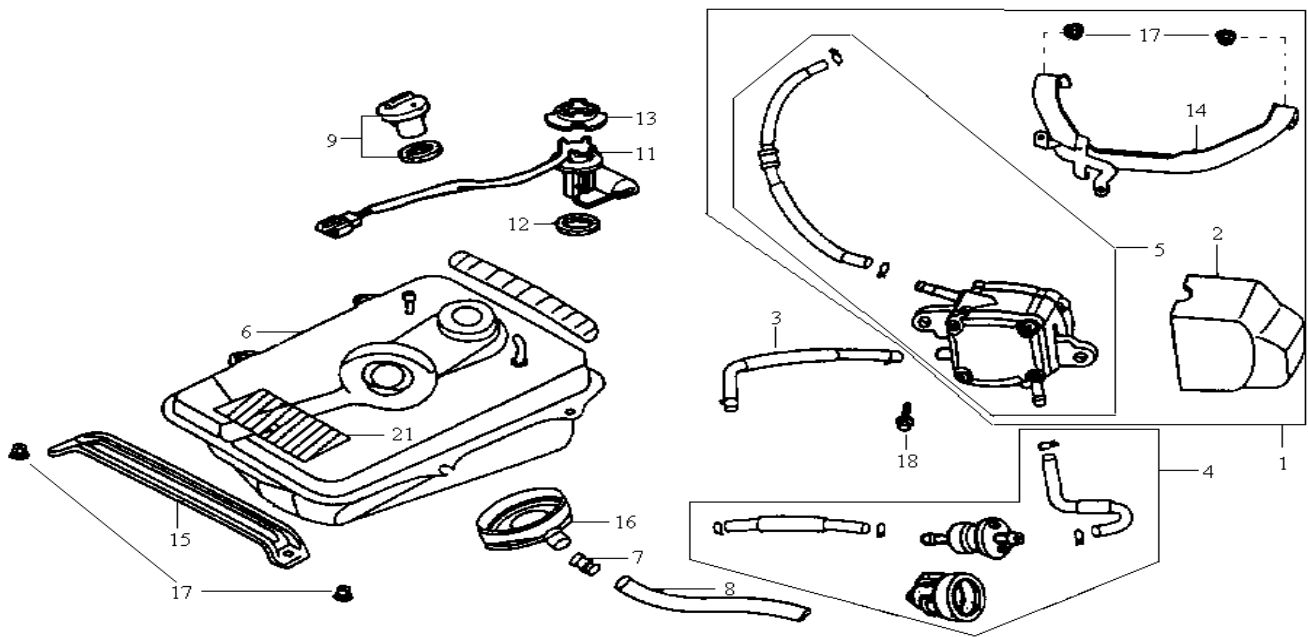
F-10 Front Brake Master Cylinder



MODEL(S)		A	Q	
BL05W2-6		P	T	
	BLOCK NO. .A-1	P	R	
	CHANGE	L	E	
	DATE	Y	Q	
DESCRIPTION				PARTS NUMBER
1.Sub harness			1	32106-E69-000
2.FR.stop sw. assy.			1	35340-KBN-900
3.FR. caliper			1	45100-E69-600
4. Pad comp.			1	45105-G22-000-AC
5.FR. brake hose assy.			1	45126-G22-000
6.FR. master cylinder assy.			1	4550A-E69-600
7.R.strg. handle lever			1	53175-KBN-900
8.Flange bolt 8 × 32			2	90106-H21-000
9.Hnadle lever bolt			1	90114-166-006
10.Oil bolt 10× 22			2	90145-MS9-611
11.Oil bolt washer			4	90545-300-000
12.Flat screw 4×12			2	93600-04012-1GF
13.Washer screw 4×12			1	93893-04012-08
14.Flange nut 6mm			1	94050-06000
15.Flange bolt SH 6×12			2	96001-06012-00
16.FR. master cylinder			1	45500-G22-000



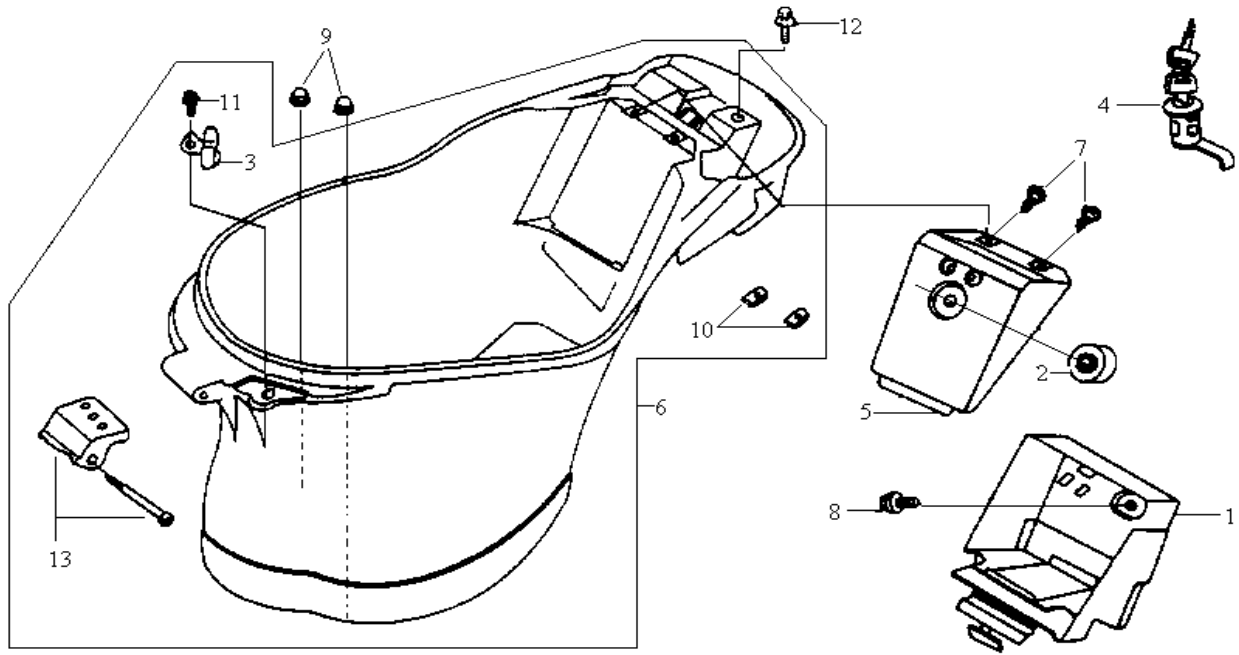
TEAMWORLD IND. 2000



MODEL(S)	CHANGE DATE	A P P L Y	Q T Y R E Q	PARTS NUMBER
BL05W2-6				
DESCRIPTION				
1.Fuel pump assy.			1	1670B-KB1-000
2.Fuel pump cover rubber			1	16702-KBN-900
3.Pulse tube assy.			1	1671A-GA1-900
4.Strainer assy.			1	1691A-KB1-000
5.Fuel pump set			1	1670A-T5C-000
6.Fuel tank comp.			1	17500-KB1-000
7.Fuel tube joint			1	17525-KBN-900
8.V tube 9×11×350			1	17530-KBN-900
9.Fuel filler cap comp.			1	17620-GS7-800
11.Fuel unit			1	37800-E69-000
12.Base packing			1	37801-M9Q-000
13.Fuel unit ret			1	37802-M9Q-000
14.Fuel pump stay comp.			1	50139-KBN-902
15.Floor plate			1	50140-KBN-900
16.Fuel cap tpay			1	64330-KBN-900
17.Flange nut 6mm			4	94050-06000
18.Flange bolt 6×14			2	95701-06014-00
21.Fuel tank guard			1	17506-KBN-900-H1



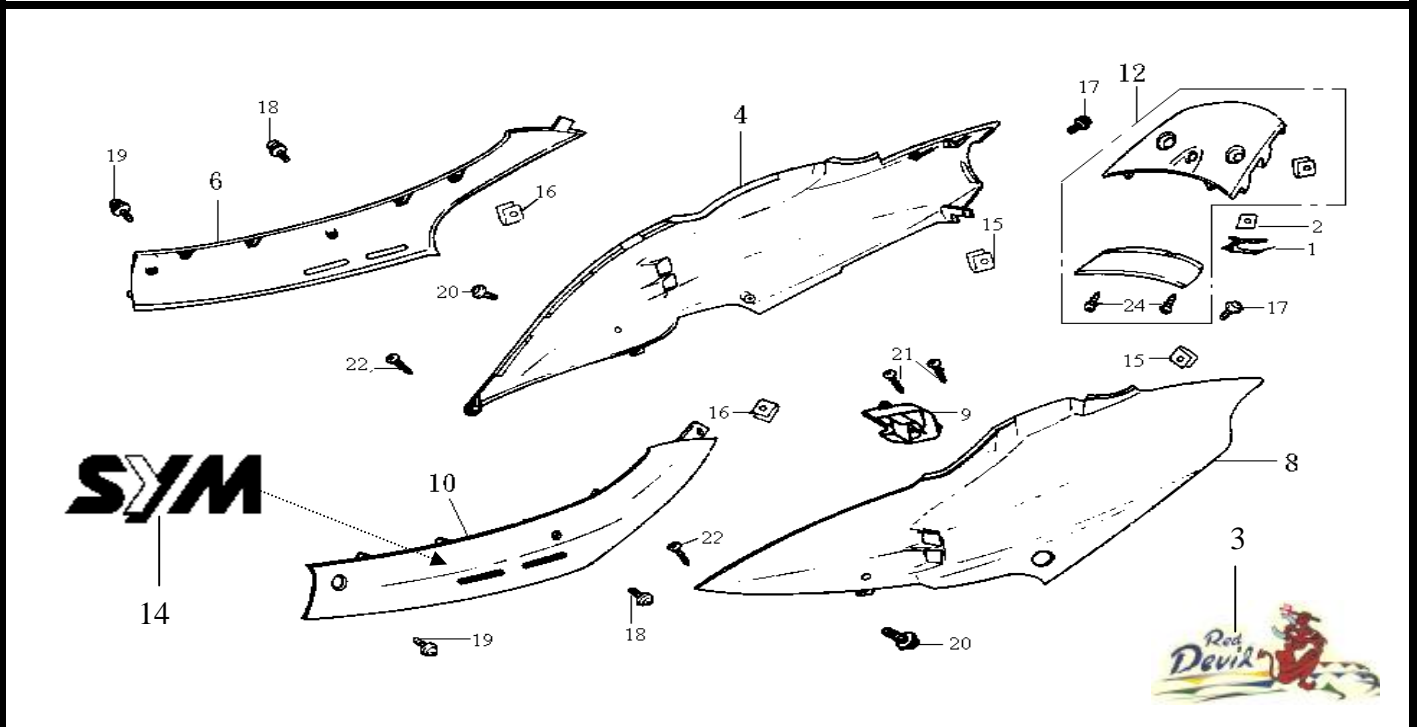
F-12 Luggage Box



MODEL(S)		A	Q	
BL05W2-6		P	T	
BLOCK NO. .A-1	CHANGE	L	Y	
DESCRIPTION	DATE	Y	R	PARTS NUMBER
		E	E	
		Q	Q	
1. Battery case			1	50325-KBN-900
2. Stopper rubber			1	50352-GJ3-600
3. Helmet hook			1	77106-GS6-000
4. Seat lock assy			1	77225-G22-000
5. Battery cover (GY-013U)			1	81251-E69-000-GO
6. Luggage box assy			1	8125A-T5C-000
7. Special screw 5×10			2	90101-KBN-900
8. Flange bolt			1	90111-162-000B
9. Cap nut 6mm			2	90201-415-000
10. Spring nut M5			2	90320-HB9-000
11. Washer screw 5×10			1	93891-06010-08
12. Washer bolt 6×16			2	93404-06025-07
13. Seat hinge assy			1	77107-E69-000

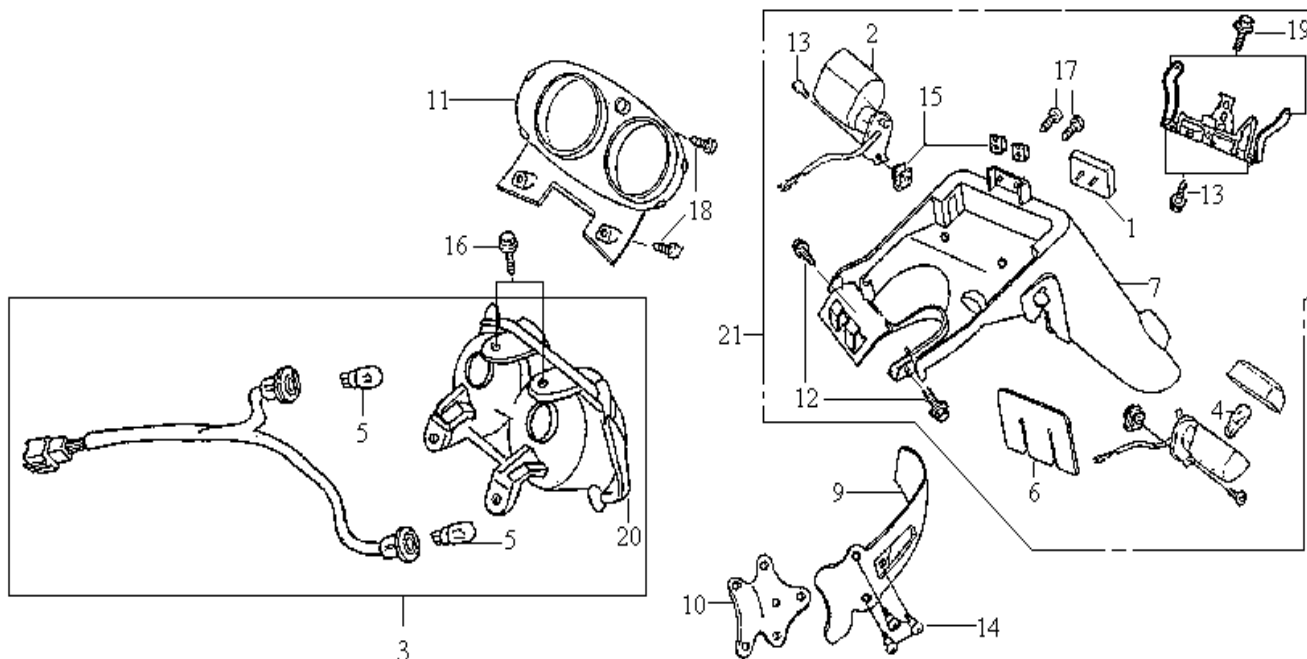


TEAMWORLD IND. 2000



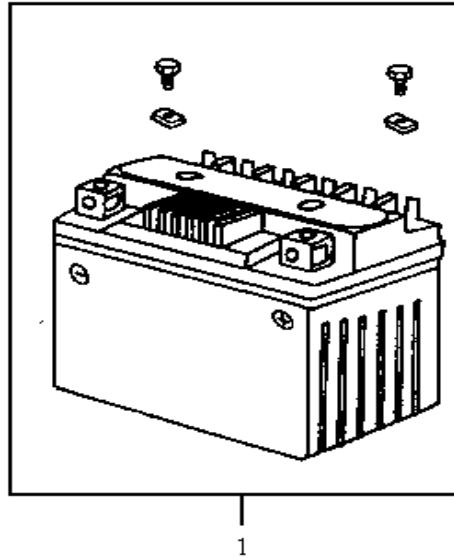
MODEL(S)		A	Q	
BL05W2-6		P	T	
BLOCK NO..A-1	CHANGE DATE	L	R	
DESCRIPTION		Y	E	PARTS NUMBER
			Q	
1.Lock key set spg.			1	77226-KY2-700
2.Seat lock washer			1	77236-GW0-000
3.R. body cover stripe			1	87126-T57-000-T1
4.RH.body cover assy.(R-100C)			1	RED 8350G-T57-000-RY
6.RH.side cover assy.(R-100C)			1	8352A-G22-000-RY
RH.side cover set(R-100C)			1	8352Z-G22-000-RY
8.LH.body cover assy.(R-100C)			1	8360G-T57-000-RY
9.Air/c. int. duct			1	83605-G22-000
10.LH.side cover assy.(R-100C)			1	8362A-G22-000-RY
10.LH.side cover set(R-100C)			1	8362Z-G22-000-RY
12.RR.center cover assy.(R-100C)			1	8375A-G22-000-RY
14.Side cover stripe			2	87122-G22-000-T2
15.Clip nut 4mm			2	90302-SA4-003
16.Clip nut 5mm			2	90677-GR1-003
17.Washer screw 5×12			2	93891-05012-07
18.Washer screw 5×16			2	93891-05016-07
19.Washer screw 5×20			2	93891-05020-07
20.Washer screw 5×16			2	93891-05916-07
21.Tapping screw 4×12			2	93903-24320
22.Tapping screw 5×16			2	93903-25320
24.Tapping screw 4×12			2	93903-34320





MODEL(S)	CHANGE DATE	APPLY	QTY	PARTS NUMBER
BL05W2-6				
DESCRIPTION	BLOCK NO.A-1			
1. RR.reflex reflector			1	33741-P1A-000
2. R.RR.winker assy. (E-mark) L.RR.winker assy. (E-mark)			1	33600-P1A-020
3. Tail light ASSY.(E-mark)			1	33650-P1A-020
4. Lampada 12V-10W.(E-mark)			1	3370A-E69-001
5. Lamp 12V 21/5W(E-mark)			2	34905-B06-000-E
6. Splash guard plate			2	34906-E69-000
7. RR.fender comp.			1	80104-KBN-900
8. Fender stay			1	80100-G22-000-GM
9. RR.Mudguard (R-100C)			1	80106-KBN-900
10. RR.Mudguard stay			1	80107-G22-000-RY
11.Tail cover (R-100C)			1	80109-T52-000
12.Flange bolt 6mm			1	83800-G22-000-RY
13.Washer screw 5×14			4	90111-162-000B
14.Special screw 6mm			1	90118-T15-000
17.Washer screw 5×12			3	90164-MR4-900
18.Tapping screw 4×12			2	93891-05012-07
19.Flange bolt 6×12			2	93903-34380
20.Tail light lens(E-mark)			1	95701-06012-00
21.RR. Fender Assy.			1	33702-G03-000
			1	8010A-E69-000

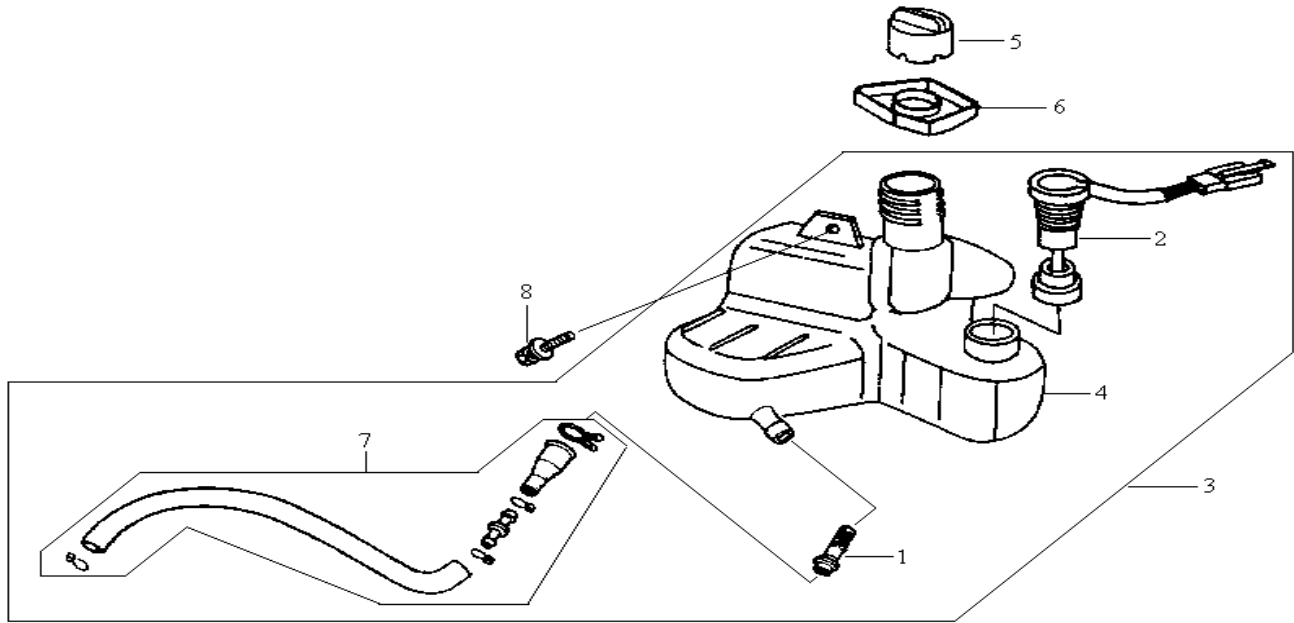




MODEL(S) BL05W2-6	CHANGE DATE	A P P L Y	Q T Y R E Q	PARTS NUMBER
BLOCK NO. .A-1 DESCRIPTION				
1. Battery assy. YT4L-BS (YUASA)			1	1Y01T0601-Y



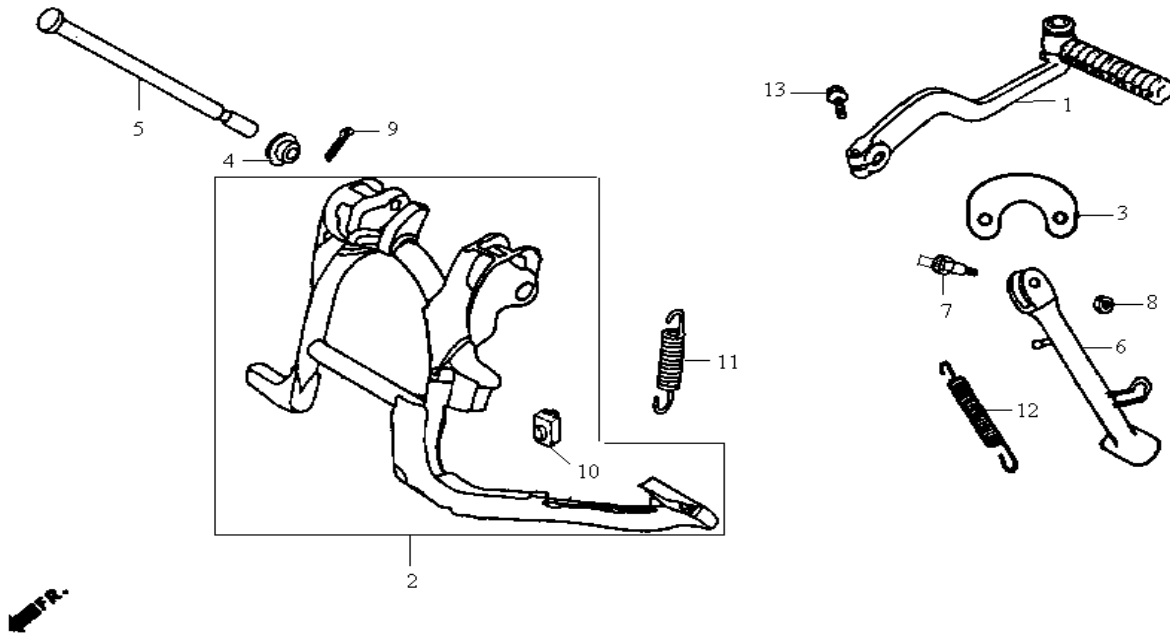
F-16 Oil Tank



MODEL(S)	CHANGE DATE	A P P L Y	Q T Y R E Q	PARTS NUMBER
BL05W2-6				
DESCRIPTION				
1.Oil strainer			1	17502-187-000
2.Oil lever SW.comp.			1	35410-E69-000
3.Oil tank assy.			1	5510A-T5C-000
4.Oil tank			1	55100-G22-000
5.Oil cap assy.			1	55105-KBN-900
6.Oil guide rubber			1	55121-KBN-900
7.Oil tube assy.			1	55200-T5C-000
8.Washer bolt 6×16			1	93404-06016-00



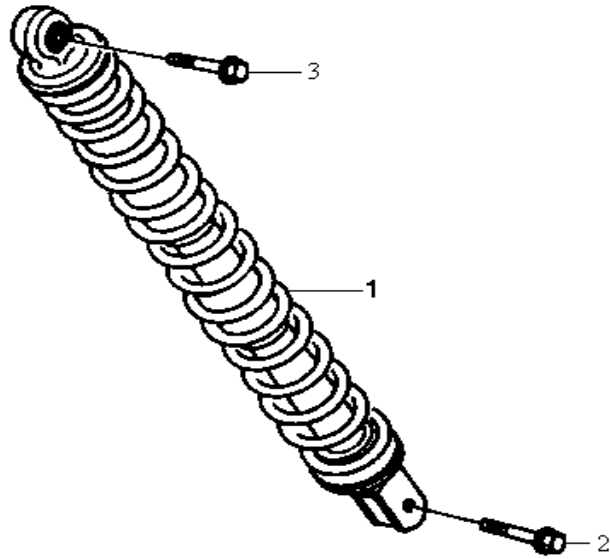
TEAMWORLD IND. 2000



MODEL(S)	CHANGE DATE	A P P L Y	Q T Y R E Q	PARTS NUMBER
BL05W2-6				
DESCRIPTION				
1.Arm assy.kick start			1	28300-KBN-900
2.Main stand assy.			1	5050A-T52-000
3.Spring plate hook			1	50542-E60-000
4.Main stand shaft rubber			1	50502-KBN-900
5.Main stand shaft			1	50503-KBN-900
6.Side stand bar comp.			1	50530-E69-000
7.Side stand pivot screw			1	90108-G03-000
8.Hex. nut 8mm			1	94030-08080-0S
9.Split pin 1.6			1	94201-16200
10.Stand stopper rubber A			1	95011-61000
11.Main stand SPG.D			1	50505-E69-900
12.Side stand SPG.			1	50535-E60-000
13.Flange bolt 6×22			1	95701-06022-07



F-18 Rear Cushion



MODEL(S)
BL05W2-6

BLOCK NO. .A-1

CHANGE
DATE

A
P
P
L
Y

Q
T
Y
R
E
Q

DESCRIPTION

PARTS NUMBER

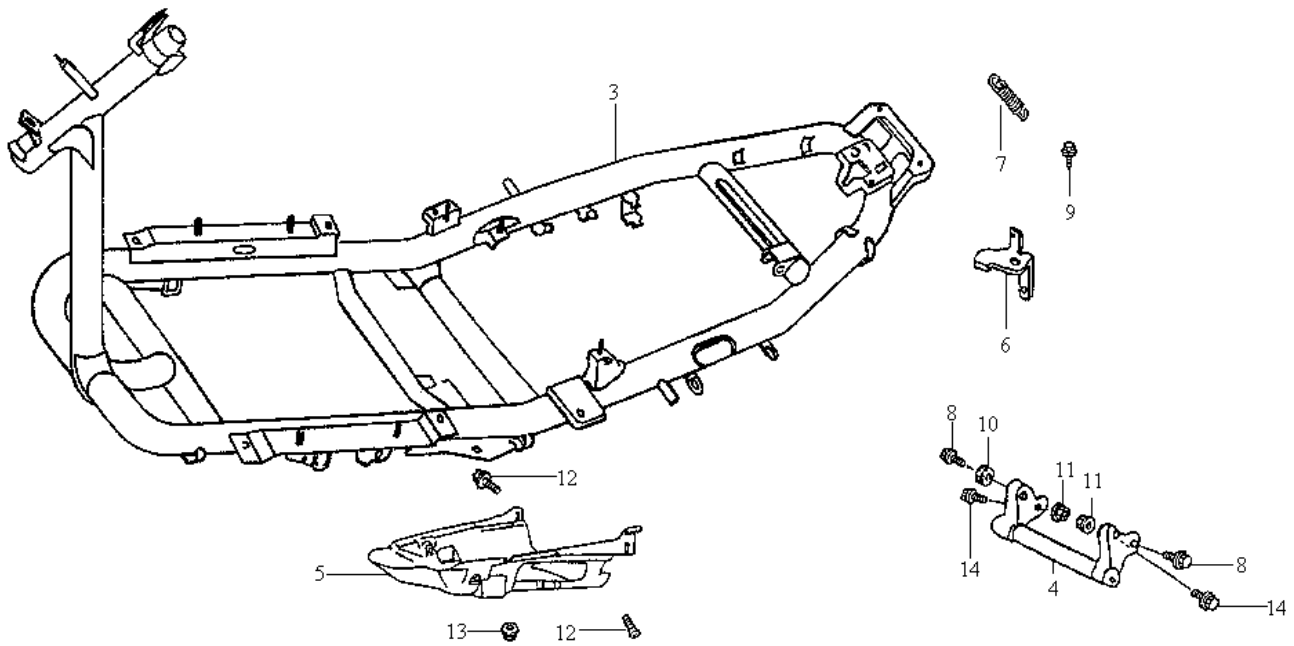
- 1.RR.cushion ASSY.
- 2.HEX.bolt 8×32
- 3.Flange bolt 10×35

1
1
1

52400-G22-900
93201-08032-0A
95801-10035-00



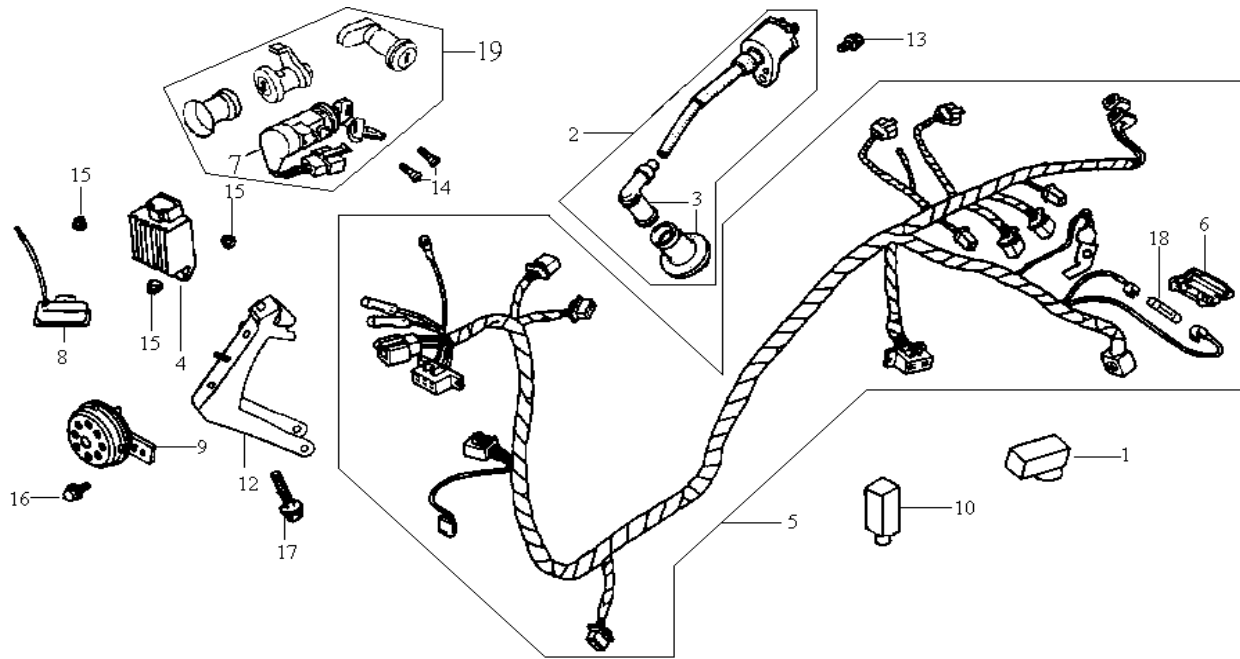
TEAMWORLD IND. 2000



MODEL(S) BL05W2-6		A P P L Y	Q T Y R E Q	
BLOCK NO. .A-1 DESCRIPTION	CHANGE DATE			PARTS NUMBER
3.Frame body comp.			1	50100-T5C-000
4.Eng.hanger link assy.			1	50350-T5C-010
5.Under cover			1	50621-KBN-900
6.Seat lock plate			1	77232-KBN-900
7.Seat lock spg.			1	77234-KBN-900
8.Flange bolt 10x55			2	90106-GY6-900
9.Flange bolt 6mm			1	90112-KBN-900
10.Collar distance			1	90121-T40-000
11.Nut U flange 10mm			2	90301-GW0-901
12.Washer bolt 6x16			2	93404-06016-07
13.Flange nut 6mm			2	94050-06070
14.Flange bolt 10x70			2	95801-10070-08



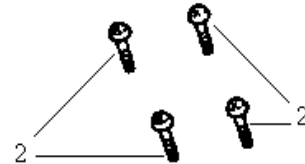
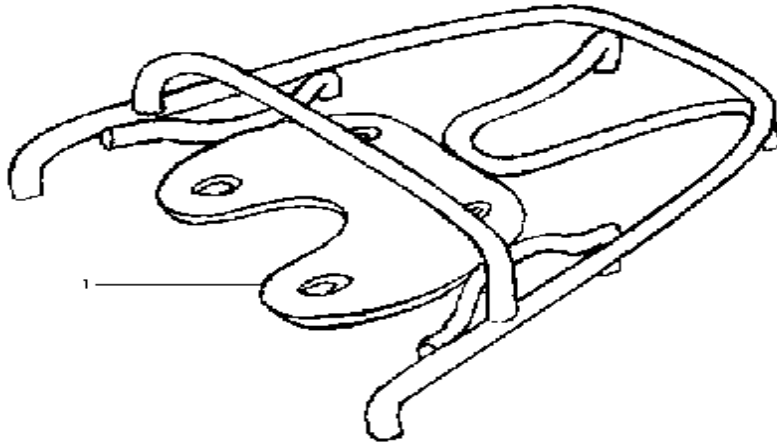
F-20 Wire Harness, Ignition Coil



MODEL(S)		A	Q	
BL05W2-6		P	T	
BLOCK NO. .A-4	CHANGE DATE	L	Y	
DESCRIPTION		Y	R	PARTS NUMBER
		E	Q	
1.C.D.I. unit assy.	Aug./20.2001	Y	1	30400-T5C-000
2.Ign.coil & plug cap assy.			1	30400-T5G-000
3.Noise suppr. cap assy.			1	30500-E60-000
4.Reg.rec.comp.	May/24.2001	Y	1	30700-KBN-000
5.Wire harness	Aug./20.2001	Y	1	30700-T36-000
6.7A fuse case			1	31600-KBN-920
7.Main switch comp.			1	31600-KBN-920
8.Resistor comp.			1	31600-A39-000
9.Horn comp.			1	32100-T5C-000
10.Relay comp.start			1	32121-196-003
12.FR.cover stay			1	35100-E60-000
13.Flange bolt 5×22	Apr./17.2000	N	1	35400-KBN-920
14.Flange screw U lock			1	38110-T54-000
15.Flange nut 6mm			1	38501-GW3-900
16.Flange bolt 6×12			1	64315-G22-000
17.Flange bolt 6×45			1	64315-G2D-000
18.Fuse 7A			2	90112-GK8-010
19.Ket Set			1	90164-X01-000
(Main SW.)			1	94050-06080
(Set Lock)			1	95701-06012-00
(Oil Cap Lock)			2	95801-06045-08
			1	98200-10700
			1	35010-E69-000
			1	(35100-E60-000)
			1	(77225-G22-000)
			1	(77232-GW0-900)

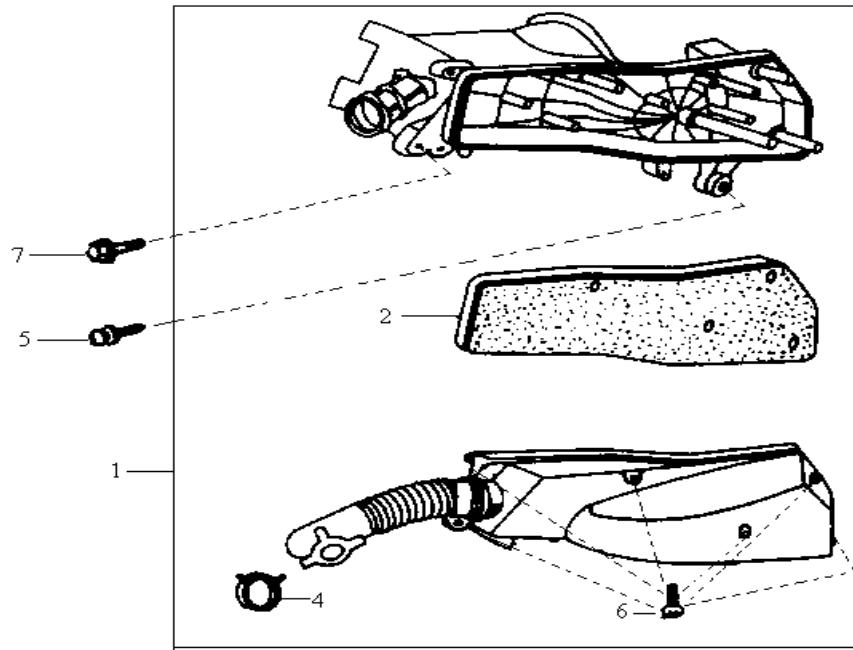


TEAMWORLD IND. 2000



MODEL(S) BL05W2-6		A P P L Y	Q T Y R E Q	
BLOCK NO. .A-1 DESCRIPTION	CHANGE DATE			PARTS NUMBER
1.RR. carrier 2.Special bolt 8 mm			1 4	81200-T57-000 90105-G19-000

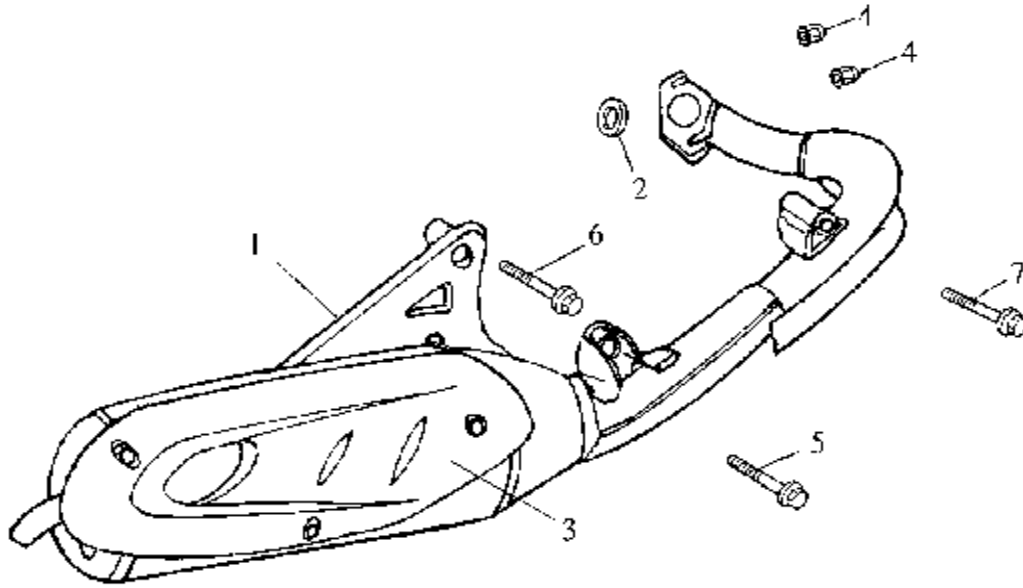
F-22 Air Cleaner



MODEL(S) BL05W2-6		A P P L Y	Q T Y R E Q	
BLOCK NO. .A-1 DESCRIPTION	CHANGE DATE			PARTS NUMBER
1.Air/C assy.			1	17200-T5C-000
2.Element air/C.			1	17205-T5C-000
4.Band air/C.conntube			1	90652-GHB-640
5.Bolt washer 6×35			1	93404-06035-07
6.Screw tapping 5×20			7	93903-25580
7. Bolt flange 6×35			1	95801-06035-07



TEAMWORLD IND. 2000



MODEL(S) BL05W2-6		A P P L Y	Q T Y R E Q	
BLOCK NO. .A-2 DESCRIPTION	CHANGE DATE			PARTS NUMBER
1.EXH. muffler assy.			1	18000-T5C-900
2.EXH. pipe gasket			1	18292-E60-010
3.Protect			1	18318-H2B-000
	Nov./17.2000	N	1	18318-H2B-001
4.HEX. cap nut 6mm			2	90304-M9Q-900
5.Flange bolt 8×35			1	95701-08035-07
6.Flange bolt 8×45			1	95701-08045-07
7.Flange bolt 8×55			1	95701-08055-07

