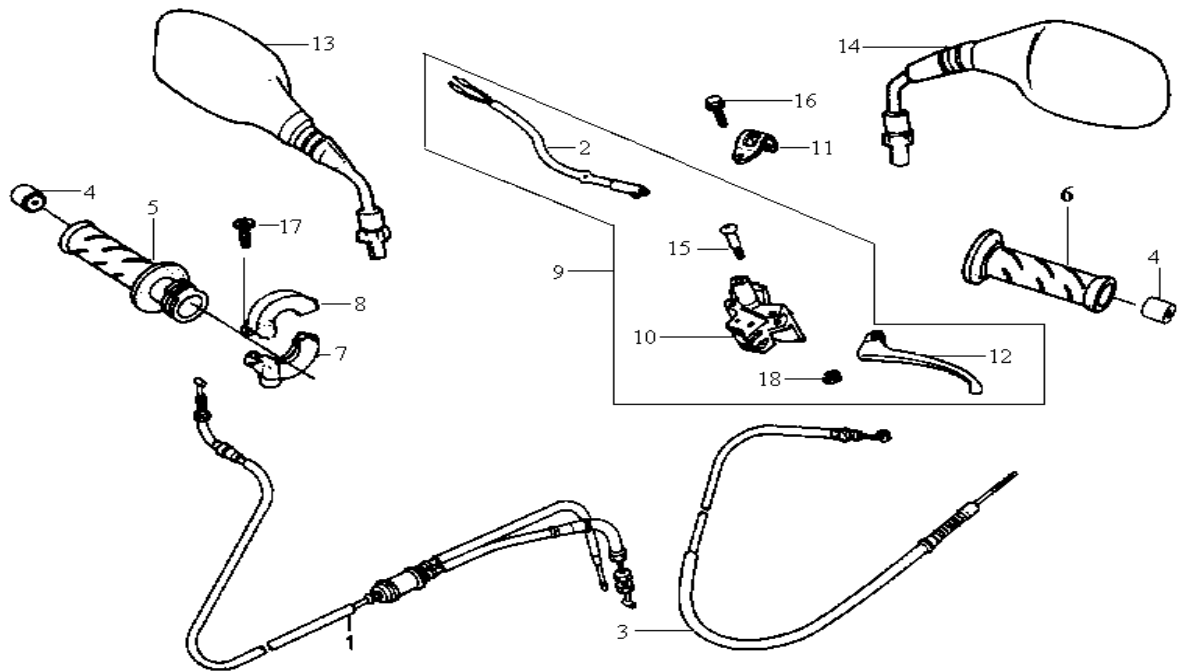
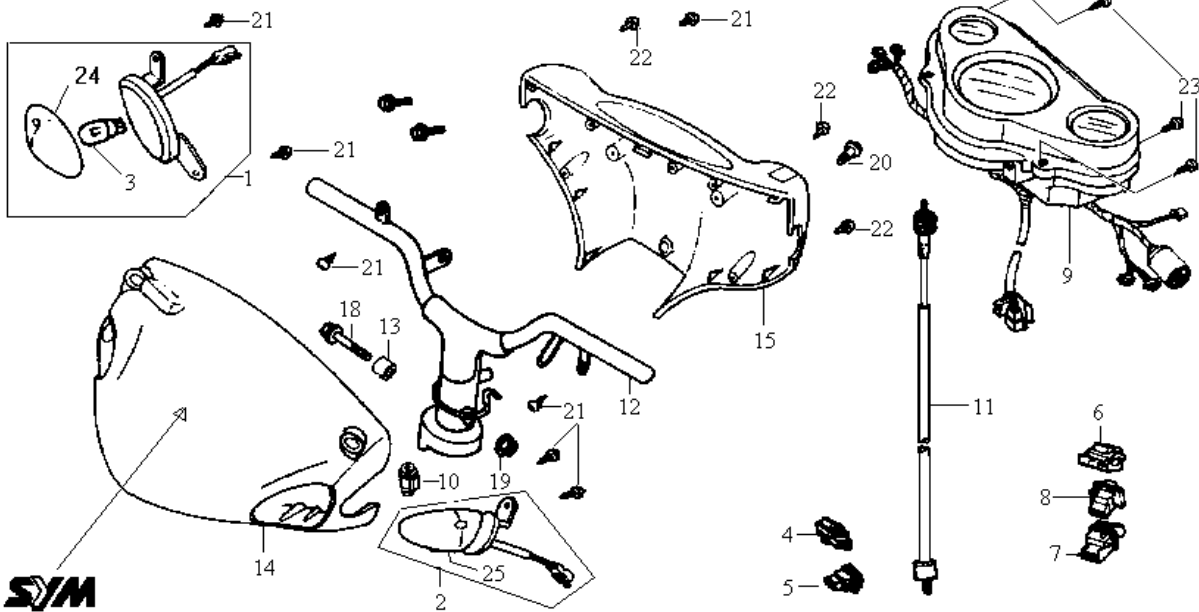


MODEL(S) G100P-6		A P P L Y	Q T Y R E Q	
BLOCK NO. .A-2 DESCRIPTION	CHANGE DATE			PARTS NUMBER
1.Head light assy.(normal type)			1	33100-G2D-000
2.Bulb head light (12V 35/35W)	Dec./12.2000	N	1	34901-M91-010

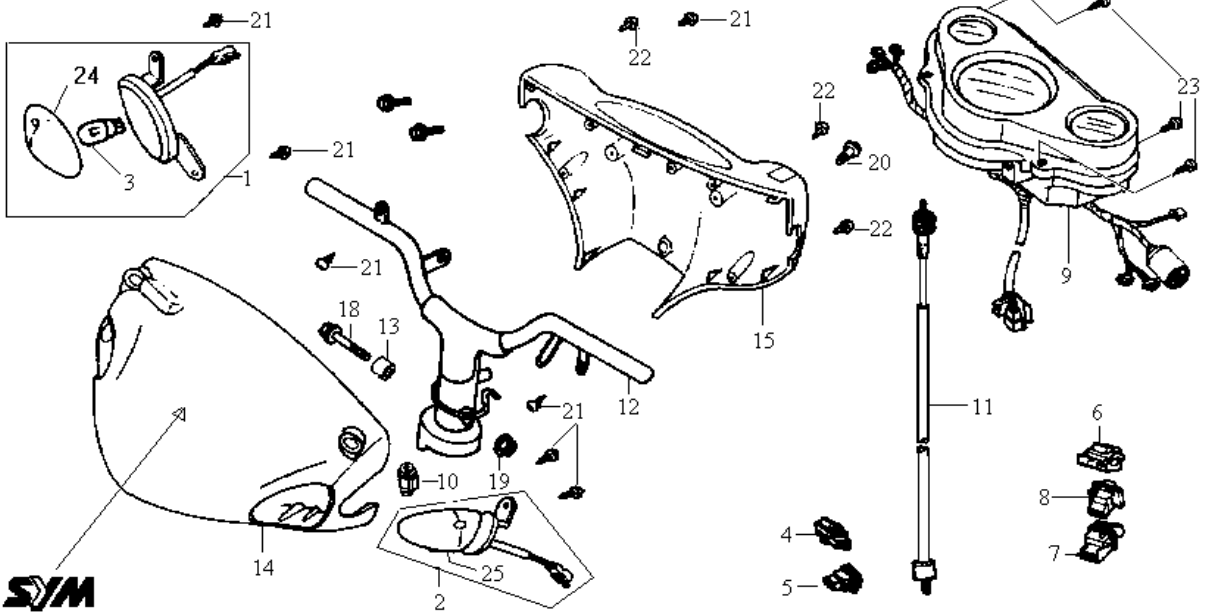


MODEL(S) G100P-6	CHANGE DATE	A P P L Y	Q T Y R E Q	PARTS NUMBER
BLOCK NO. .A-2 DESCRIPTION				
1.Trottle cable comp			1	17910-G22-000
2.FR.stop sw.assy	Mar./14.2003		1	35340-GAK-900 35340-KBN-900
3.RR.brake cable comp			1	43450-G22-010
4.Handle end.strg			2	53105-H01-000
5.Throt. grip comp			1	53140-KBN-900
6.L.handle grip			1	53166-KBN-900
7.Throt.und. housing			1	53167-GN2-020
8.Throt.up. housing			1	53168-GN2-020
9.L.handle lever assy			1	5317A-T5C-000
10.Handle level braket			1	53172-G22-000
11.Handle brkt. band			1	53173-GS7-003
12.L.strg. handle lever			1	53178-T5C-000
13.R.back mirror assy			1	88110-G22-000
14.L.back mirror assy			1	88120-G22-000
15.Handle lever pivot screw			1	90115-T15-000
16.Washer bolt 6 × 20			1	93401-06020-00
17.Pan screw 5 × 22			1	93500-05022-0A
18.HEX. nut 5mm			1	94001-05000-0S



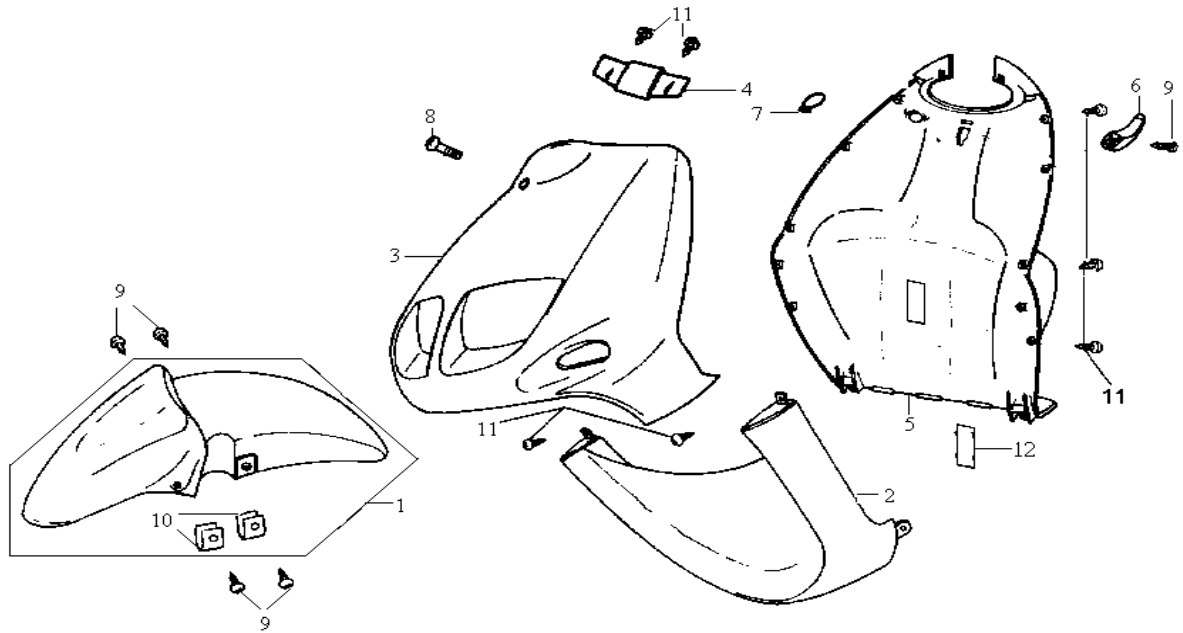
MODEL(S) G100P-6	CHANGE DATE	A P P L Y	Q T Y R E Q	PARTS NUMBER
BLOCK NO. .A-1 DESCRIPTION	CHANGE DATE	A P P L Y	Q T Y R E Q	PARTS NUMBER
1.R FR. winker assy			1	33400-E69-010
2.L FR. winker assy			1	33450-E69-010
3.Winker bulb 12V-10W			2	34905-B06-000
4.Light SW.unit			1	35150-M9Q-000
5.Start SW.unit			1	35160-GW0-900
6.Dimmer SW.unit			1	35170-E69-000
7.Horn SW.unit			1	35180-GW0-900
8.Winker SW.unit			1	35200-M9Q-000
9.Meter assy			1	37200-G2D-000
10.Flasher Relay			1	38300-T40-010
11.Spd.cable comp			1	44830-E69-000
12.Strg.handle comp			1	53100-G22-000
13.Handle setting collar			1	53125-M9Q-000
14.FR.handle cover assy (BU-3940S)			1	5320B-G22-000-UM
FR.handle cover assy (R-010CA)			1	5320B-G22-000-RT
FR.handle cover assy (Y-109P)			1	5320B-G22-000-YG
FR.handle cover assy (GN-4923S)			1	5320B-G22-000-EG
FR.handle cover assy (GN-0322P)			1	5320B-G22-000-NJ
FR.handle cover assy (BK-001C)			1	5320B-G22-000-KB
FR.handle cover assy (BU-283S)			1	5320B-G22-000-BJ
15.RR.handle cover (GY-426U)			1	53206-G22-007-GK
18.Flange bolt 10 × 50			1	90106-M9Q-000





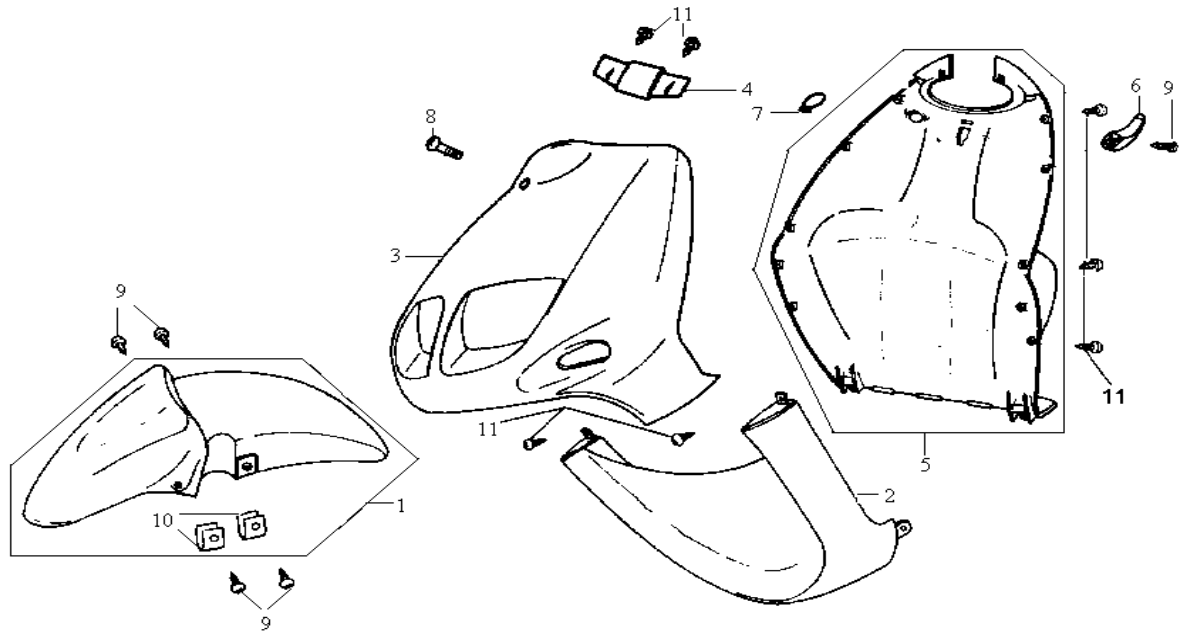
MODEL(S) G100P-6		A P P L Y	Q T Y R E Q	
BLOCK NO. .A-1 DESCRIPTION	CHANGE DATE			PARTS NUMBER
19.Flange u nut 10mm			1	90304-M9Q-000
20.Pan screw 5 × 7			1	91508-A26-000
21.Tapping screw 4 × 12			6	93903-34320
22.Tapping screw 4 × 12			4	93903-34380
23.Tapping screw 5×16			3	93903-35320
24.R FR. winker lens.			1	33402-G22-010
25.L FR. winker lens.			1	33452-G22-010





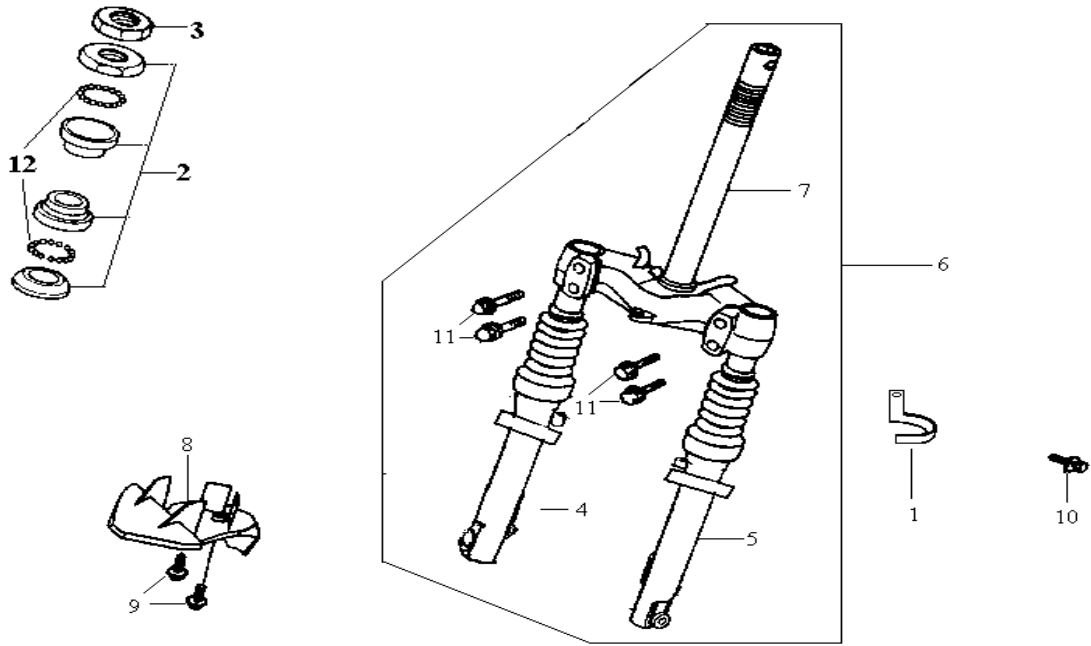
MODEL(S) G100P-6		A P P L Y	Q T Y R E Q	
BLOCK NO. .A-2 DESCRIPTION	CHANGE DATE			PARTS NUMBER
4.FR.up plate (GY-426U) 5.FR.inner cover assy (GY-426U) 6.Luggage hook (GY-426U) 7.Luggage stopper 8.Special screw 6mm 9.Special screw 6mm 10.Clip nut 6mm 11.Tapping screw 4 ×12 12.Frame number lid	Aug./16.2000		1 1 1 1 1 5 2 7 1	64305-G22-000-GK 6431A-E69-000-GK 81132-GAH-000-GK 81133-KBN-900 90110-GZ0-000 90164-MR4-900 90305-M9Q-000 93903-34380 81132-H1A-000-GK
			(New add)	





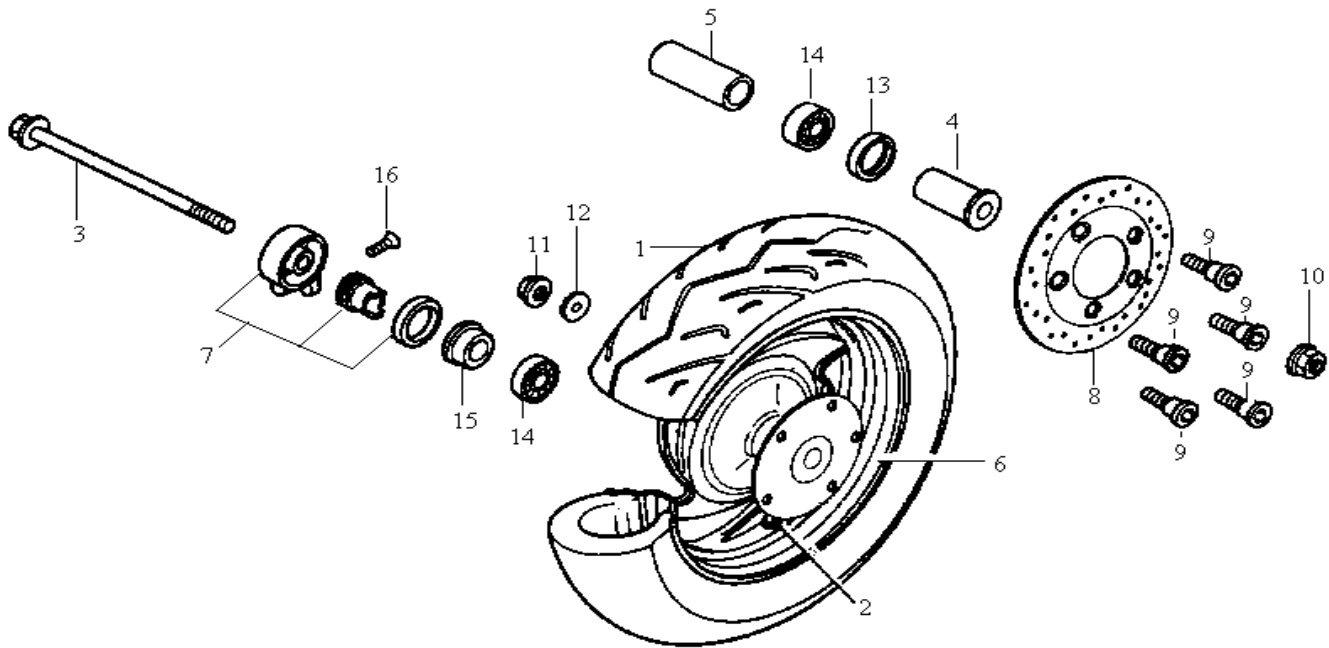
MODEL(S)	CHANGE DATE	A P P L Y	Q T Y R E Q		PARTS NUMBER
G100P-6					
BLOCK NO. .A-1					
DESCRIPTION					
1.FR.fender assy (GN-4923S)			1	GREEN	6110A-G22-000-EG
(BU-3940S)			1	BLUE	6110A-G22-000-UM
(R-010CA)			1	RED	6110A-G22-000-RT
(Y-109P)			1	YELLOW	6110A-G22-000-YG
(GN-0322P)			1	GREEN	6110A-G22-000-NJ
(BK-001C)			1	BLACK	6110A-G22-000-KB
(BU-283S)			1	BLUE	6110A-G22-000-BJ
2.FR.under spoiler (GN-4923S)			1	GREEN	61120-G22-000-EG
(BU-3940S)			1	BLUE	61120-G22-000-UM
(R-010CA)			1	RED	61120-G22-000-RT
(Y-109P)			1	YELLOW	61120-G22-000-YG
(GN-0322P)			1	GREEN	61120-G22-000-NJ
(BK-001C)			1	BLACK	61120-G22-000-KB
(BU-283S)			1	BLUE	61120-G22-000-BJ
3.FR.cover (GN-4923S)			1	GREEN	6430A-G22-000-EG
(BU-3940S)			1	BLUE	6430A-G22-000-UM
(R-010CA)			1	RED	6430A-G22-000-RT
(Y-109P)			1	YELLOW	6430A-G22-000-YG
(BK-001C)			1	BLACK	6430A-G22-000-KB
(GN-0322P)			1	GREEN	6430G-T5C-000-NJ
(BU-283S)			1	BLUE	6430G-T5C-000-BJ
(S-880S)			1	SILVER	6430G-T5C-000-SQ





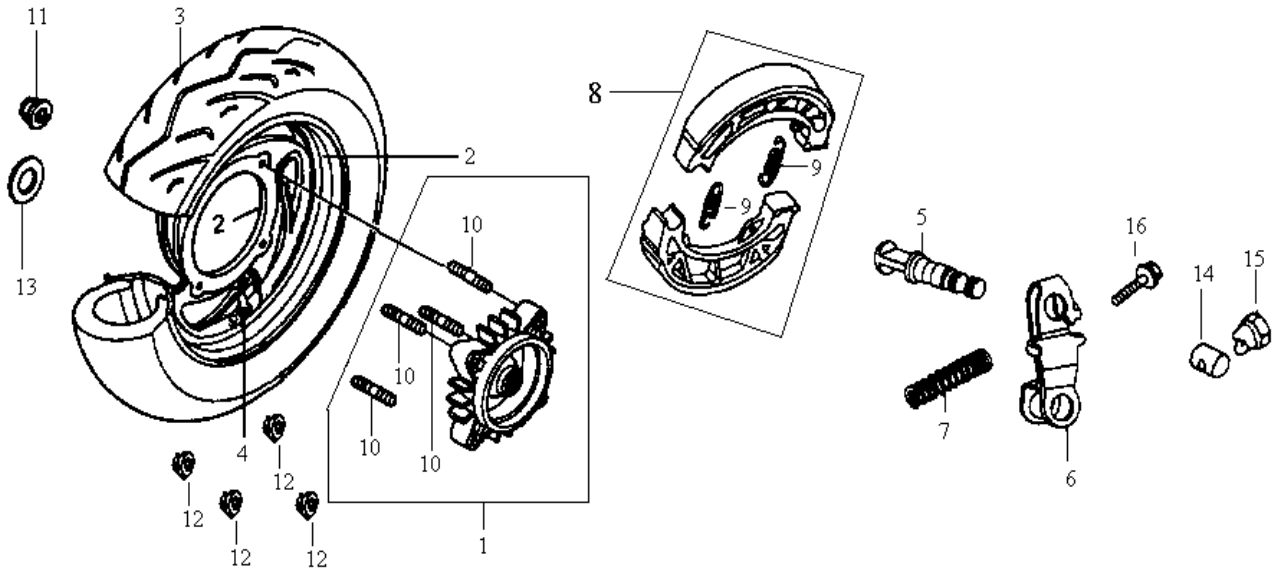
MODEL(S) G100P-6	CHANGE DATE	A P P L Y	Q T Y R E Q	PARTS NUMBER
BLOCK NO. .A-2 DESCRIPTION				
1.FR.brk.hose clamp			1	45156-GW0-911
2.Strg.stem ball race set			1	50300-GC8-000
3.Strg.stem lock nut			1	50306-M9Q-000
4.FR.R.cushion			1	51400-G22-000
5.FR.L. cushion	Apr./4.2001	Y	1	51400-G22-001
			1	51500-G22-000
6.FR.fork assy	Apr./4.2001	Y	1	51500-G22-001
7.Steering stem pipe			1	5320A-G22-000
8.FR.inner fender (GY-426U)			1	53200-G22-000
9.Special bolt 5mm			1	61110-G22-000-GK
10.Flange bolt 6 × 12			2	90112-GC3-000
11.Flange bolt 8 × 40			1	95801-06012-00
12.Steel ball #5			4	95801-08040-00
			2	96211-05000





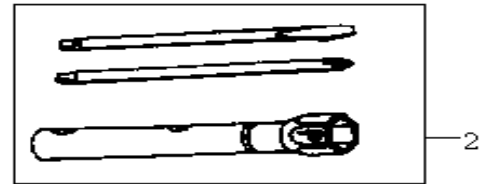
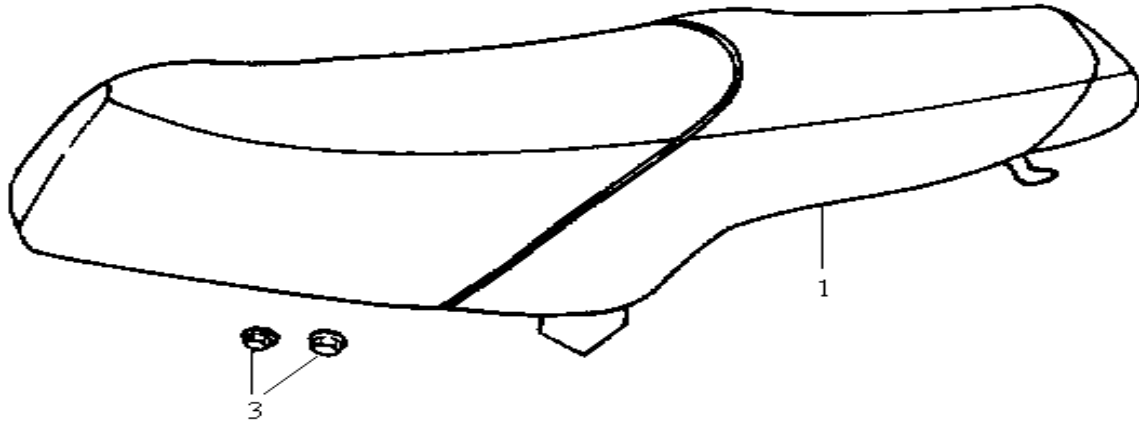
MODEL(S)	CHANGE DATE	A P P L Y	Q T Y R E Q	PARTS NUMBER
G100P-6				
DESCRIPTION	BLOCK NO. .A-3			
1.FR. trie (120/70-12) tubeless			1	1T011207012-4PR-TM1
2.Rim valve			1	42753-KJ9-000
3.FR.wheel axle			1	44301-G22-000
4.FR.wheel side collar	Aug./16.2000	N	1	44311-H09-000
5.FR.axle dist. collar comp	Mar./14.2003		1	44620-G22-000
6.FR.wheel comp.(GY-1406S)			1	44620-T55-000 44650-G22-000-GR
7.Spdmt.gear box assy			1	44800-G22-000
8.FR.brake disk			1	45121-G22-000
9.FR.disk bolt 8 × 23			5	90112-GZ0-000
FR.disk bolt 8 × 24	Mar./14.2003			90105-KR3-000
10.Flange u nut 12mm			1	90306-M9Q-000
11.U nut flange 8mm			1	90309-GW0-901-M1
12.Washer 8mm			1	90465-MC4-000
13.Dust seal 20 × 32× 5			1	90754-M9Q-000-M2
14.Bearing 6210 (U)			2	90912-M9Q-000-M1
15.Spdmt gear box seal			1	91258-KM1-004
	Mar./14.2003			91258-M9Q-000
16.Oval screw 5 × 18			1	93700-05018-0A





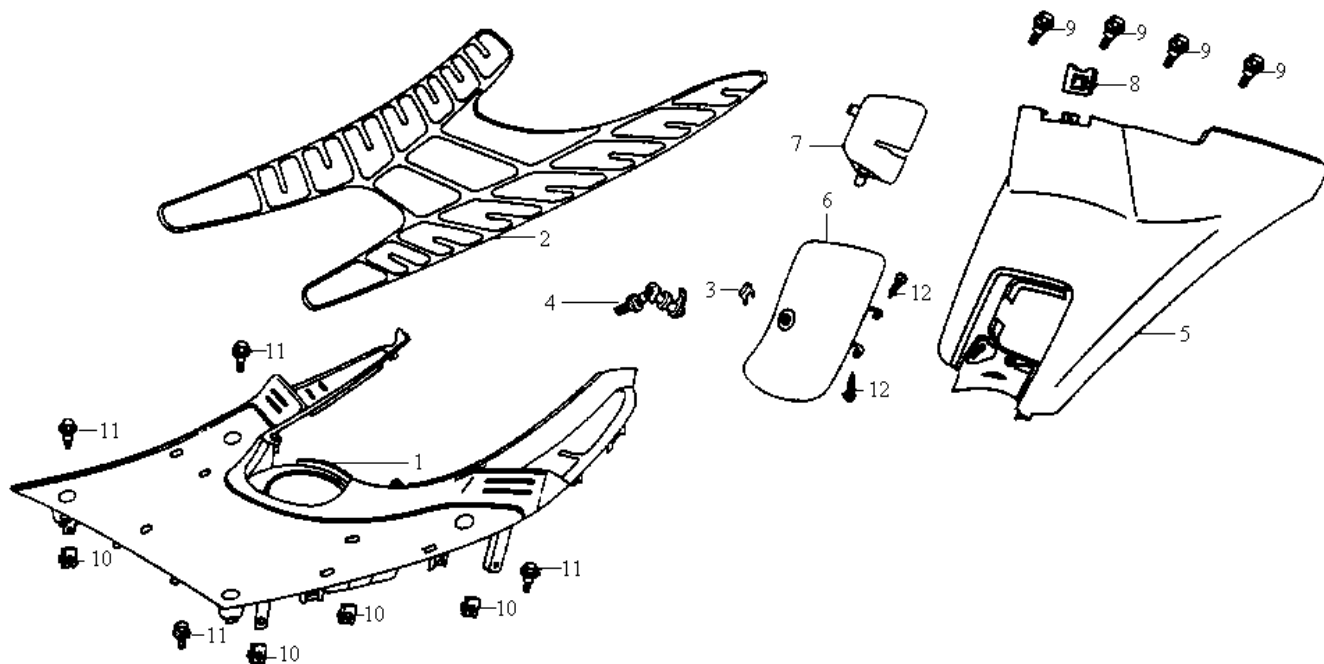
MODEL(S)	CHANGE DATE	A P P L Y	Q T Y R E Q	
G100P-6				
DESCRIPTION	BLOCK NO. .A-3			
1.RR. wheel hub comp.			1	42601-GAK-900-GR
2.RR. Wheel comp.			1	42601-G22-000-GR
3.RR. tire (130/70-12 Tubeless)			1	1T011307012-4PR-T
4.Rim valve			1	42753-KJ9-000
5.RR.brake cam assy.			1	4314A-GA1-700
6.RR. brake arm comp.			1	43410-G2B-000
7.RR. brake arm spring			1	43472-T5C-000
8.Brake shoe set	Jul./12.2000	N	1	4512A-096-651
	Mar./14.2003	N		4312A-M9Q-900
9.Brake shoe spring			2	45133-028-000
	Mar./14.2003	N		45133-M9Q-900
10.Stud ii bolt 8 × 24			4	90110-G22-000
11.U nut 16mm			1	90305-KBN-902-M2
12.Flange u nut 8mm			4	90309-GW0-901-M1
13.Washer 16mm			1	90501-M9Q-000
14.Brake Arm Joint B			1	95015-32001
15.Adjust nut B			1	95015-42000
16.Flange bolt 6×32			1	95701-06032-00





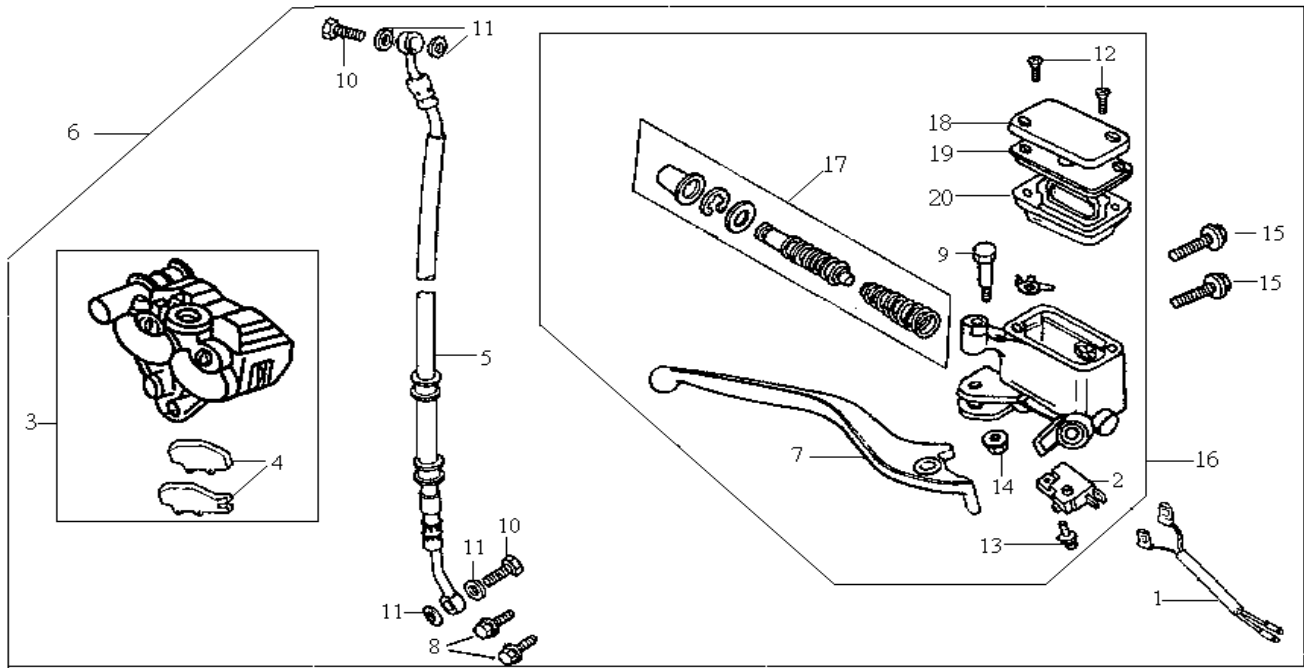
MODEL(S) G100P-6		A P P L Y	Q T Y R E Q	
BLOCK NO. .A-1 DESCRIPTION	CHANGE DATE			PARTS NUMBER
1.Double seat comp.(BK-001L)			1	77200-G22-000-BK
2.Tool assy.			1	89010-KBN-000
3.Flange nut 6mm			2	94050-06080





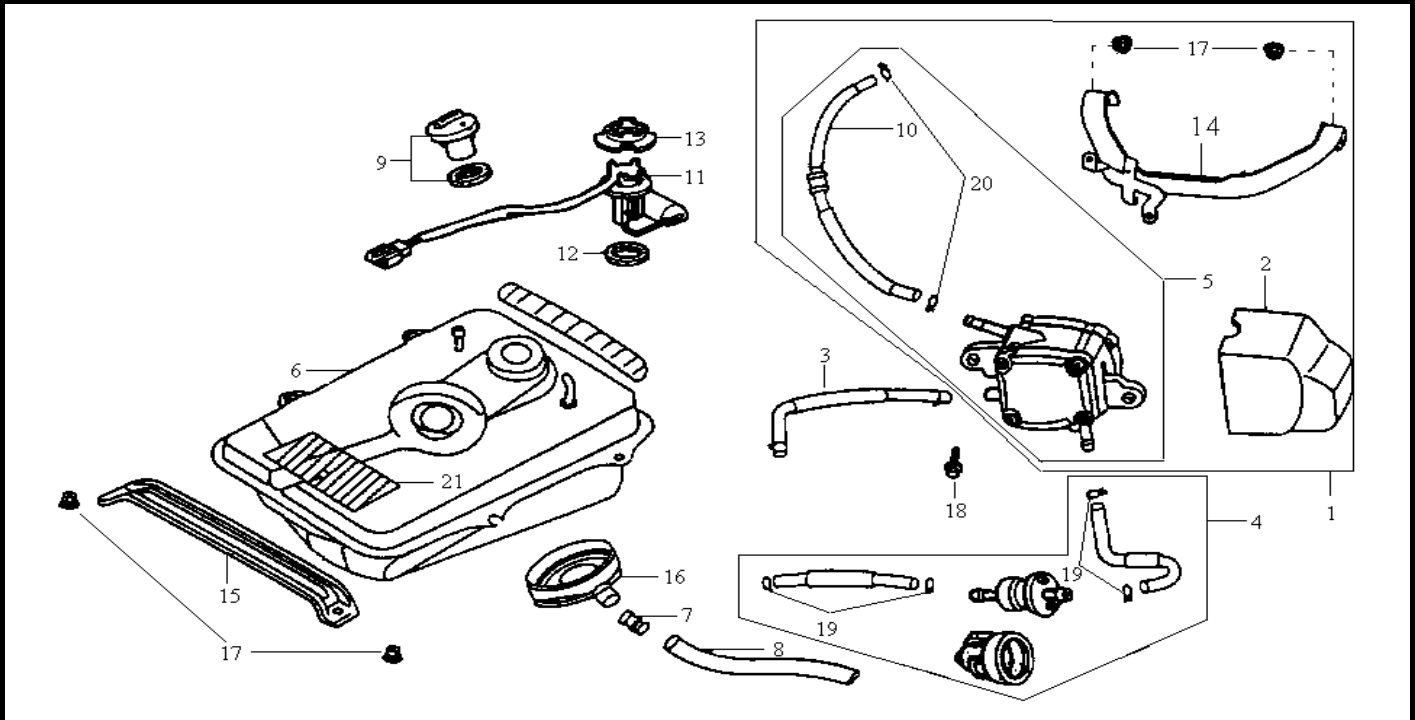
MODEL(S) G100P-6	CHANGE DATE	A P P L Y	Q T Y R E Q	PARTS NUMBER
BLOCK NO. .A-2	Mar./14.2003			
1.Floor step (GY-426U) 2.Floor mat (GY-426U) 3.Lock key set SPG. 4.Oil cap lock 5.Center cover (GY-426U) 6.Fuel lid (GY-426U) 7.Plug maint.cover (GY-426U) 8.Clip nut 6mm 9.Special screw 6 × 17 10.Clip nut 5mm 11.Washer bolt 6×20 12.Tapping screw 4×8				64310-KBN-900-GK 64320-KBN-900-GK 75581-M9Q-000 77232-GW0-900 77232-KBN-900 80151-KBN-900-GK 80152-KBN-900-GK 80153-KBN-900-GK 90305-M9Q-000 90381-M9Q-000 90677-GR1-003 93404-06020-00 93903-24220





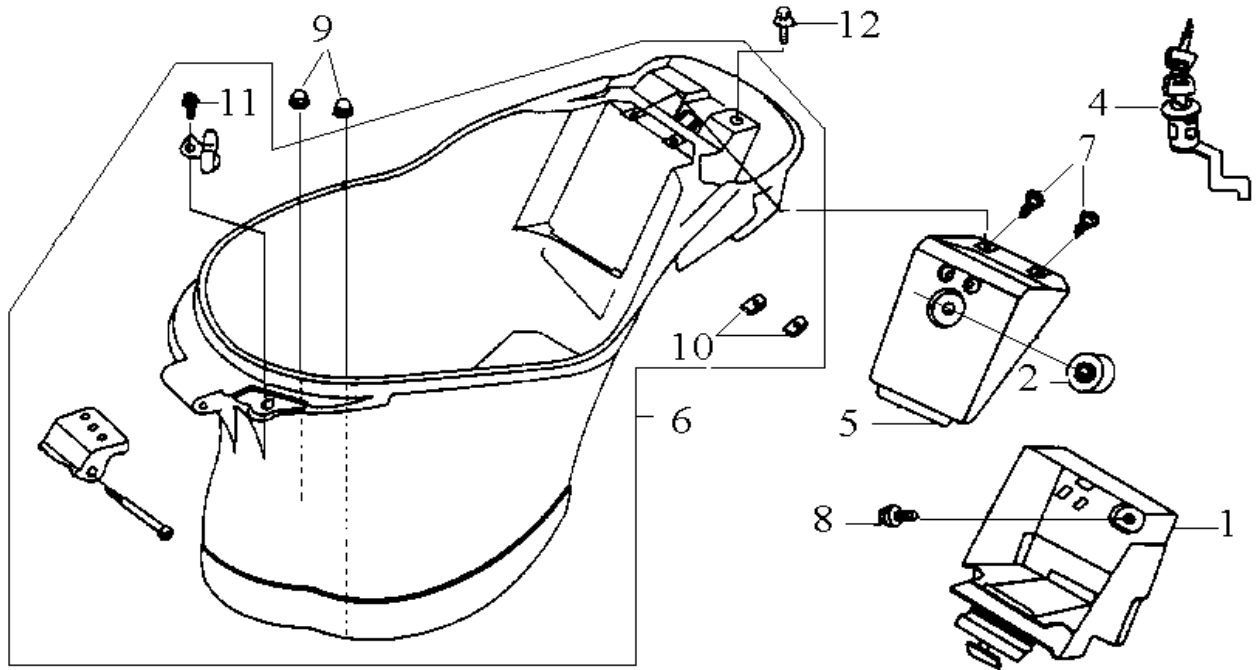
MODEL(S)	CHANGE DATE	A P P L Y	Q T Y R E Q	
G100P-6				
DESCRIPTION	BLOCK NO. .A-1			
1.Sub harness			1	32106-KBN-900
2.FR.stop sw. assy			1	35340-KBN-900
3.FR. caliper			1	45100-E69-600
4. Pad comp			1	45105-G22-000-AC
5.FR. brake hose assy			1	45126-G22-000
6.FR. master cylinder assy			1	4550A-E69-600
7.R.strg. handle lever			1	53175-KBN-900
8.Flange bolt 10 x 35			2	90106-M9Q-900
9.Hnadle lever bolt			1	90114-166-006
10.Oil bolt 10× 22			2	90145-MS9-611
11.Oil bolt washer			4	90545-300-000
12.Flat screw 4×12			2	93600-04012-1GF
13.Washer screw 4×12			1	93893-04012-08
14.Flange nut 6mm			1	94050-06000
15.Flange bolt SH 6×12			2	96001-06012-00
16.FR. master cylinder			1	45500-G22-000
17.Master cylinder set			1	45530-471-831-P1
18.Master cylinder cap			1	45513-GW0-911-M1
19.Diaphragm plate			1	45521-GW0-911-M1
20.Diaphragm			1	45520-GW0-911-M1





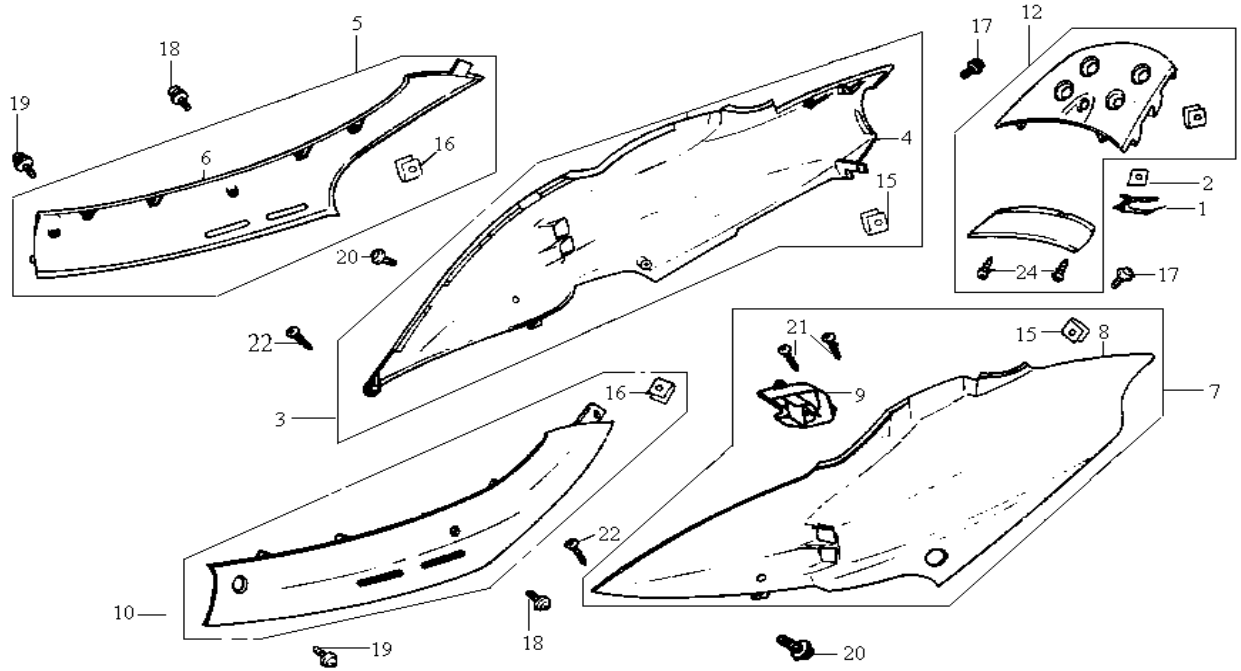
MODEL(S)		A	Q	
G100P-6		P	T	
	BLOCK NO. .A-3	P	P	
	CHANGE DATE	L	R	
DESCRIPTION		Y	E	PARTS NUMBER
			Q	
1.Fuel pump assy			1	1670B-KB1-000
	Mar./14.2003			1670B-G2D-000
2.Fuel pump cover rubber			1	16702-KBN-900
3.Pulse tube assy			1	1671A-GA1-900
4.Strainer assy			1	1691A-KB1-000
5.Fuel pump assy			1	1670A-KB1-000
6.Fuel tank comp	Aug./16.2000	N	1	17500-KB1-000
7.Fuel tube joint			1	17525-KBN-900
8.V tube 9×11×350			1	17530-KBN-900
9.Fuel filler cap comp	Aug./16.2000	N	1	17620-GS7-800
10.Fuel tube joint			1	17685-KBN-900
11.Fuel unit			1	37800-G19-000
12.Base packing			1	37801-M9Q-000
13.Fuel unit ret			1	37802-M9Q-000
14.Stay comp pump			1	50139-KBN-902
	Mar./14.2003			50139-G2D-000
15.Floor plate			1	50140-KBN-900
16.Fuel cap tpay			1	64330-KBN-900
17.Flange nut 6mm			4	94050-06000
18.Flange bolt 6×14			2	95701-06014-00
19.Tube clip B10			4	95002-02100
20.Tube clip B8			2	95002-02080
21.Fuel tank guard			1	17506-KBN-900-H1





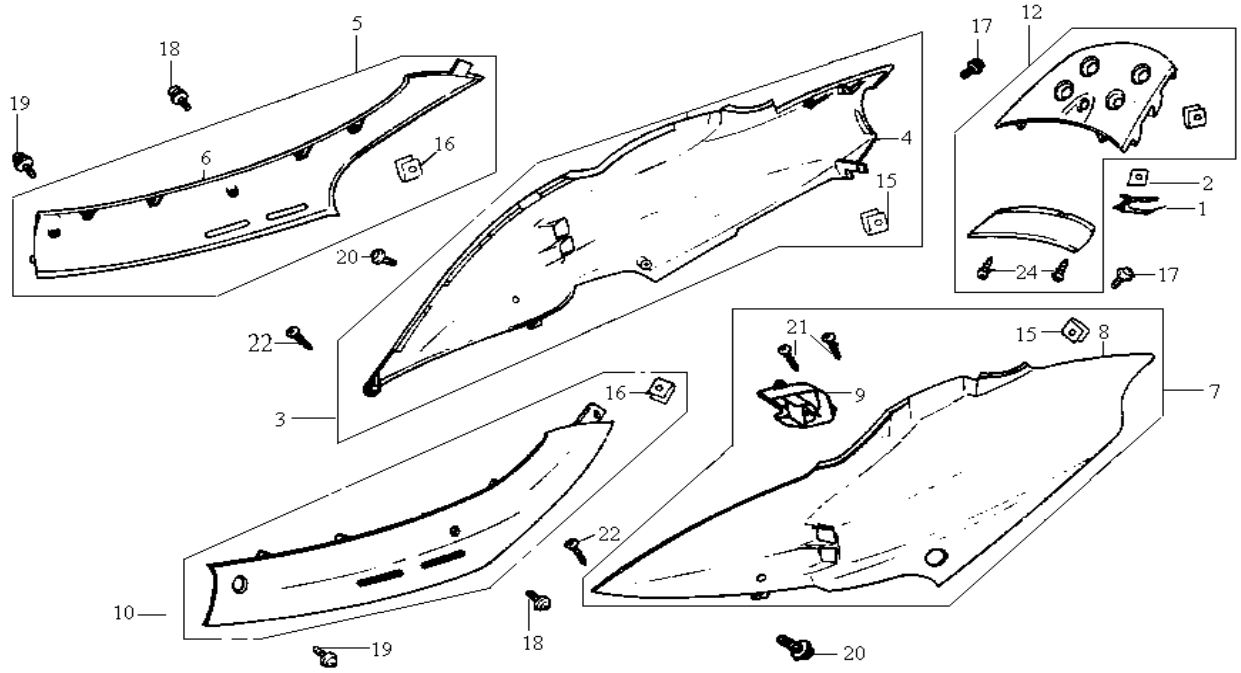
MODEL(S) G100P-6		A P P L Y	Q T Y R E Q	
BLOCK NO. .A-2 DESCRIPTION	CHANGE DATE			PARTS NUMBER
1.Battery case 2.Stopper rubber 4.Seat lock assy 5.Battery cover (GY-013U) 6.Luggage box assy 7.Special screw 5×10 8.Flange bolt 9.Cap nut 6mm 10.Spring nut M5 11.Washer screw 5×10 12.Washer bolt 6×16	Mar./14.2003		1 1 1 1 1 2 1 2 2 1 2	50325-KBN-900 50352-GJ3-600 77225-G22-000 81251-KBN-900-GO 8125B-E69-000-GO 8125A-G2D-000 90101-KBN-900 90111-162-000B 90201-415-000 90320-HB9-000 93891-06010-07 93404-06016-07





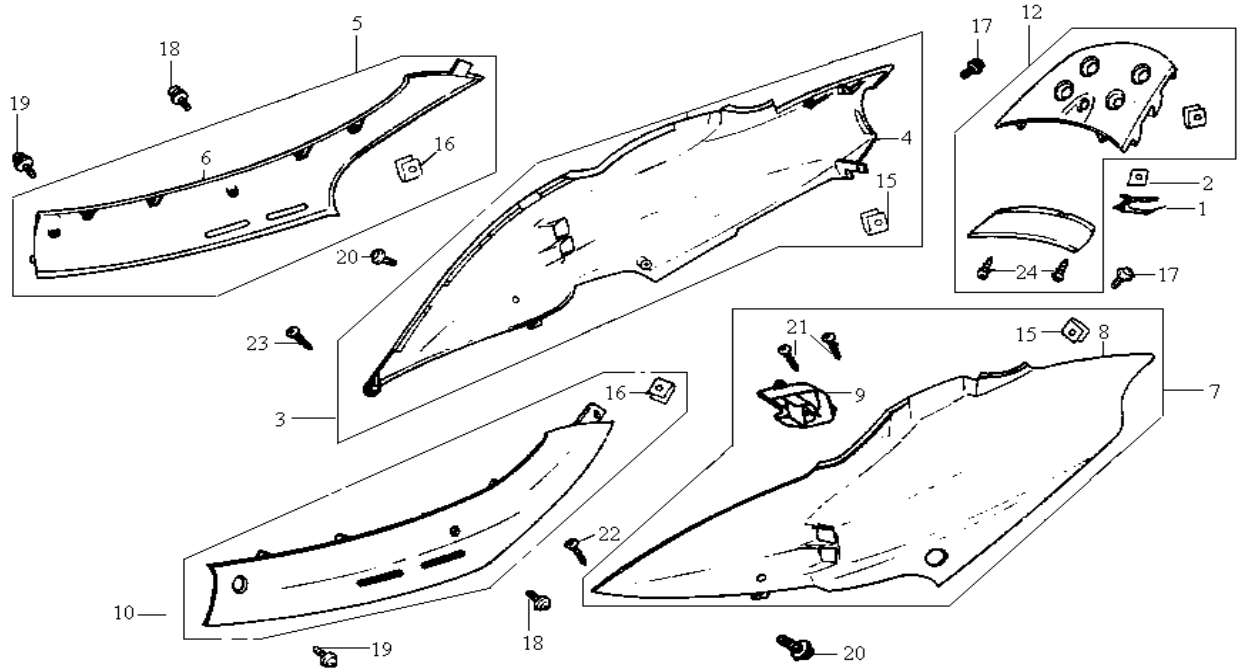
MODEL(S)		A	Q		
G100P-6		P	T		
	BLOCK NO. .A-1	C	R		
	CHANGE DATE	H	E		
		A	Q		
DESCRIPTION					PARTS NUMBER
7.LH.body cover assy(GN-0322P)			1	GREEN	8360G-T5C-000-NJ
(BU-283S)			1	BLUE	8360G-T5C-000-BJ
(S-880S)			1	SILVER	8360G-T5C-000-SQ
9.Air/c. int. duct			1		83605-G22-000
10.LH.side cover assy(GN-4923S)			1	GREEN	8362A-G22-000-EG
(BU-3940S)			1	BLUE	8362A-G22-000-UM
(R-010CA)			1	RED	8362A-G22-000-RT
(Y-109P)			1	YELLOW	8362A-G22-000-YG
(GN-0322P)			1	GREEN	8362A-G22-000-NJ
(BK-001C)			1	BLACK	8362A-G22-000-KB
(BU-283S)			1	BLUE	8362A-G22-000-BJ
12.RR. Center cover (R-010CA)			1	RED	8375A-G22-000-RT
(Y-109P)			1	YELLOW	8375A-G22-000-YG
(BU-3940S)			1	BLUE	8375A-G22-000-UM
(GN-4923S)				GREEN	8375A-G22-000-EG
(GN-0322P)				GREEN	8375A-G22-000-NJ
(BK-001C)				BLACK	8375A-G22-000-KB
(BU-283S)				BLUE	8375A-G22-000-BJ
(S-880S)				SILVER	8375A-G22-000-SQ
15.Clip nut 4mm			2		90302-SA4-003
16.Clip nut 5mm			2		90677-GR1-003
17.Washer screw 5×12			2		93891-05012-07





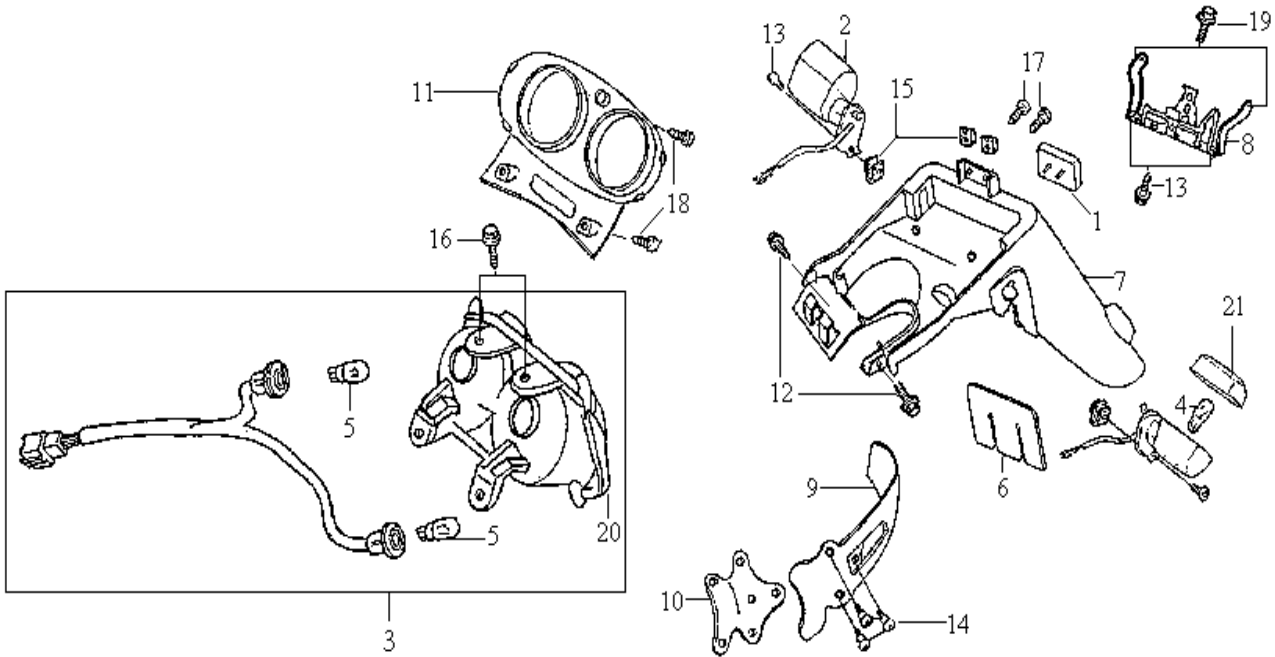
MODEL(S) G100P-6		A P P L Y	Q T Y R E Q	
BLOCK NO. .A-1 DESCRIPTION	CHANGE DATE			PARTS NUMBER
18.Washer screw 5×16			2	93891-05016-07
19.Washer screw 5×20			2	93891-05020-07
20.Washer screw 5×16			2	93891-05016-07
21.Tapping screw 4×12			2	93903-24320
22.Tapping screw 5×16			2	93903-25320
24.Tapping screw 4×12			2	93903-34320





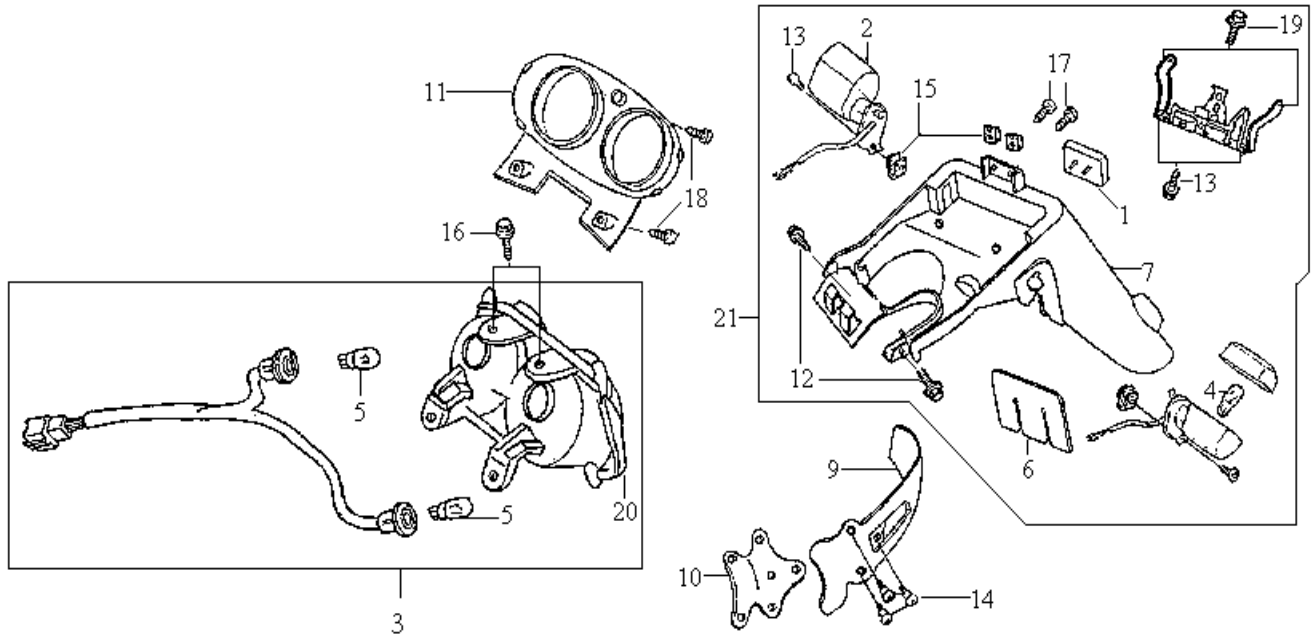
MODEL(S)		A	Q	
G100P-6		P	T	
	CHANGE	L	R	
BLOCK NO. .A-1	DATE	Y	E	
DESCRIPTION			Q	PARTS NUMBER
1.Lock key set spg.			1	77226-KY2-700
2.Seat lock washer			1	77236-M8Q-000
3.RH.body cover assy(GN-4923S)			1	GREEN 8350A-G22-000-EG1
(BU-3940S)			1	BLUE 8350A-G22-000-UM
(R-010CA)			1	RED 8350A-G22-000-RT1
(Y-109P)			1	YELLOW 8350A-G22-000-YG1
(BK-001C)			1	BLACK 8350A-G22-000-KB
(GN-0322P)			1	GREEN 8350G-T5C-000-NJ
(BU-283S)			1	BLUE 8350G-T5C-000-BJ
(S-880S)			1	SILVER 8350G-T5C-000-SQ
5.RH.side cover assy(GN-4923S)			1	GREEN 8352A-G22-000-EG
(BU-3940S)			1	BLUE 8352A-G22-000-UM
(R-010CA)			1	RED 8352A-G22-000-RT
(Y-109P)			1	YELLOW 8352A-G22-000-YG
(GN-0322P)			1	GREEN 8352A-G22-000-NJ
(BK-001C)			1	BLACK 8352A-G22-000-KB
(BU-283S)			1	BLUE 8352A-G22-000-BJ
7.LH.body cover assy(GN-4923S)			1	GREEN 8360A-G22-000-EG
(BU-3940S)			1	BLUE 8360A-G22-000-UM
(R-010CA)			1	RED 8360A-G22-000--RT
(Y-109P)			1	YELLOW 8360A-G22-000-YG
(BK-001C)			1	BLACK 8360A-G22-000-KB



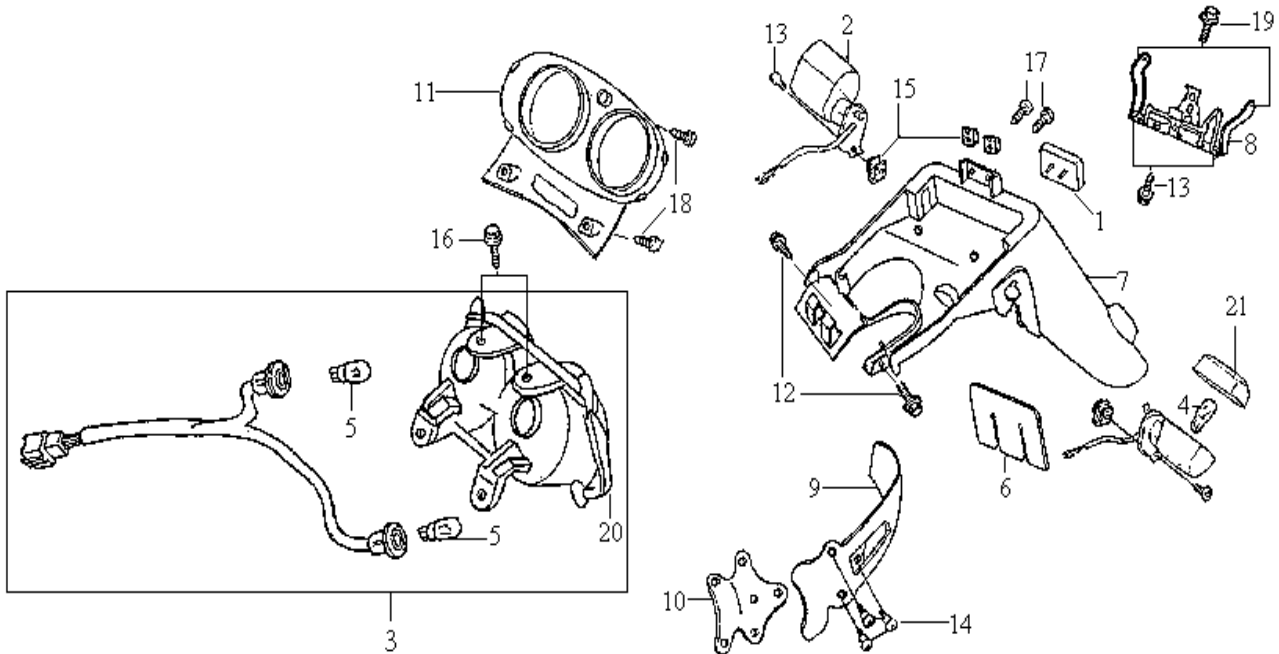


MODEL(S) G100P-6		A P P L Y	Q T Y R E Q	
BLOCK NO. .A-1 DESCRIPTION	CHANGE DATE			PARTS NUMBER
11.Tail cover (BK-001C) (BU-283S) (S-880S) 12.Flange bolt 6mm 13.Washer screw 5×14 14.Special screw 6mm 15.Clip nut 5mm 16.Washer screw 6×12 17.Washer screw 5×12 18.Tapping screw 4×12 19.Flange bolt 6×12 20.Tail light lens 21.R/L RR Winker lens			1 1 1 4 1 3 2 4 2 2 1 1 1	<i>BLACK</i> 83800-G22-000-KB <i>BULE</i> 83800-G22-000-BJ <i>SILVER</i> 83800-G22-000-SQ 90111-162-000B 90118-T15-000 90164-MR4-900 90677-GR1-003 93404-06012-00 93891-05012-07 93903-34380 95701-06012-00 33702-G03-520 33602-G03-520



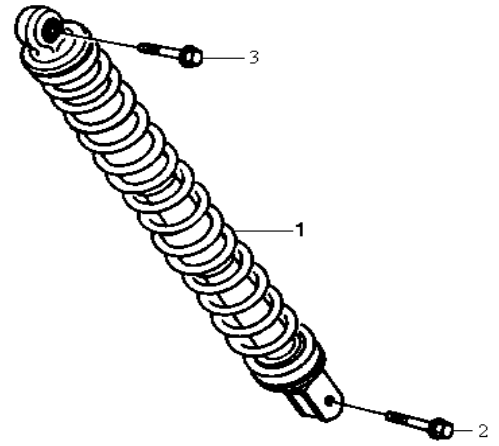
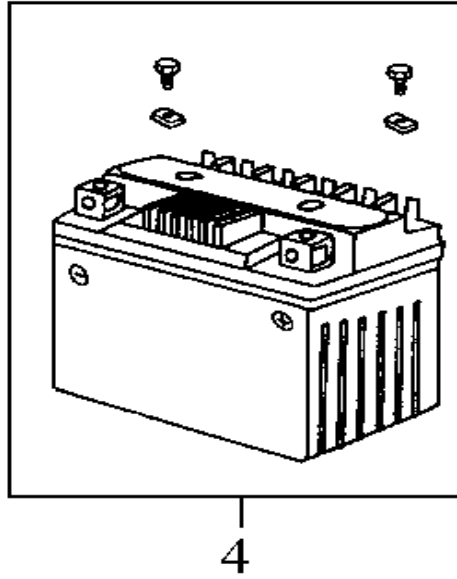


MODEL(S)	CHANGE DATE	A P P L Y	Q T Y R E Q	PARTS NUMBER
G5J-6	BLOCK NO. .A-1			
DESCRIPTION				
1.RR.reflex reflector			1	33741-P1A-000
2.R.RR.winker assy. (E-mark)			1	33600-P1A-020
L.RR.winker assy. (E-mark)			1	33650-P1A-020
3.Tail light ASSY.(E-mark)			1	3370A-E69-001
4.Lampada 12V-10W.(E-mark)			2	34905-B06-000-E
5.Lamp 12V 21/5W(E-mark)			2	34906-E69-000
6.Splash guard plate			1	80104-KBN-900
7.RR.fender comp.			1	80100-G22-000-GM
8.Fender stay			1	80106-KBN-900
9. RR.Mudguard (Black)			1	<i>Black</i> 80107-G22-000-KQ
RR.Mudguard (Red)			1	<i>Red</i> 80107-G22-000-RT
RR.Mudguard (Yellow)			1	<i>Yellow</i> 80107-G22-000-YG
RR.Mudguard (BU-3945S)			1	<i>Blue(98' Model)</i> 80107-G22-000-UV
RR.Mudguard (GY-990U)			1	<i>Gray(98' Model)</i> 80107-G22-000-IB
10. RR.Mudguard stay			1	80109-G22-000
11.Tail cover (BK-005S)			1	<i>Black</i> 83800-G22-000-KQ
Tail cover (R-010CA)			1	<i>Red</i> 83800-G22-000-RT
Tail cover (Y-109P)			1	<i>Yellow</i> 83800-G22-000-YG
Tail cover (BU-3945S)			1	<i>Blue(98' Model)</i> 83800-G22-000-UV



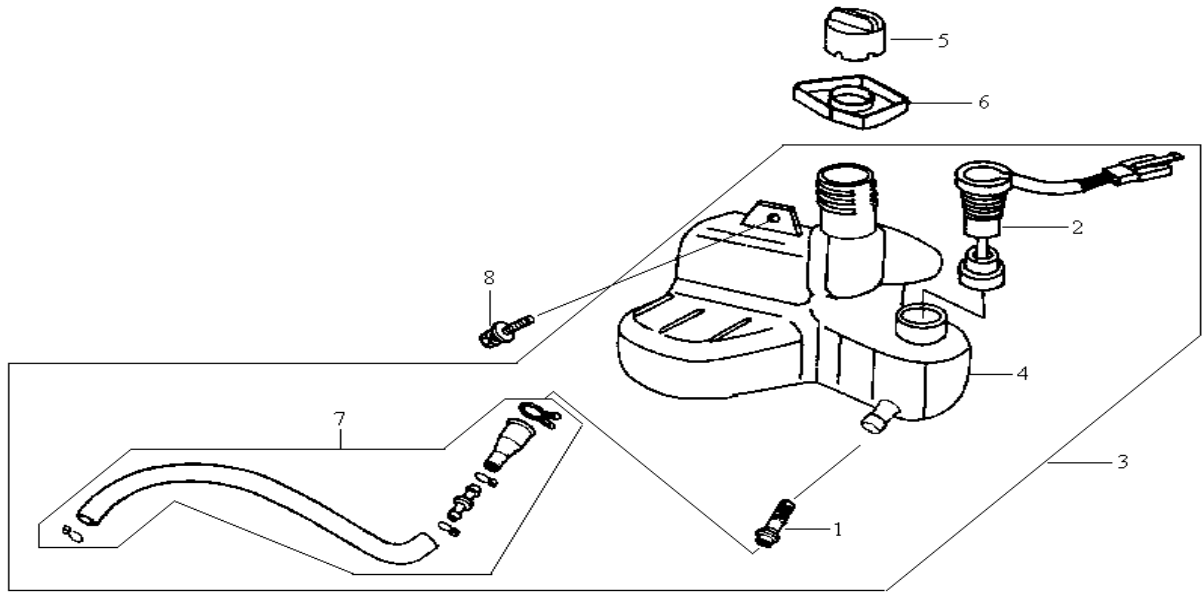
MODEL(S) G100P-6		A P P L Y	Q T Y R E Q	
BLOCK NO. .A-1 DESCRIPTION	CHANGE DATE			PARTS NUMBER
1.RR.reflex reflector			1	33741-P1A-000
2.R.RR.winker assy. L.RR.winker assy.			1	33600-P1A-020
3.Tail light assy.			1	33650-P1A-020
4.Lampada 12V-10W.			2	3370A-E69-001
5.Bulb tail / stop light (12V 10/5W)			2	34905-G03-520
6.Splash guard plate			1	34906-G22-000
7.RR.fender comp.			1	80104-KBN-900
8.Fender stay			1	80100-G22-000-GM
9. RR.Mudguard (GN-4923S) (BU-3940S) (R-010CA) (Y-109P) (GN-0322P) (BK-001C) (BU-283S)			1	80106-KBN-900
10. RR.Mudguard stay			1	80107-G22-000-EG 80107-G22-000-UM 80107-G22-000-RT 80107-G22-000-YG 80107-G22-000-NJ 80107-G22-000-KB 80107-G22-000-BJ
11.Tail cover (GN-4923S) (BU-3940S) (R-010CA) (Y-109P) (GN-4322P)			1	80109-G22-000
			1	83800-G22-000-EG
			1	83800-G22-000-UM
			1	83800-G22-000-RT
			1	83800-G22-000-YG
			1	83800-G22-000-NJ





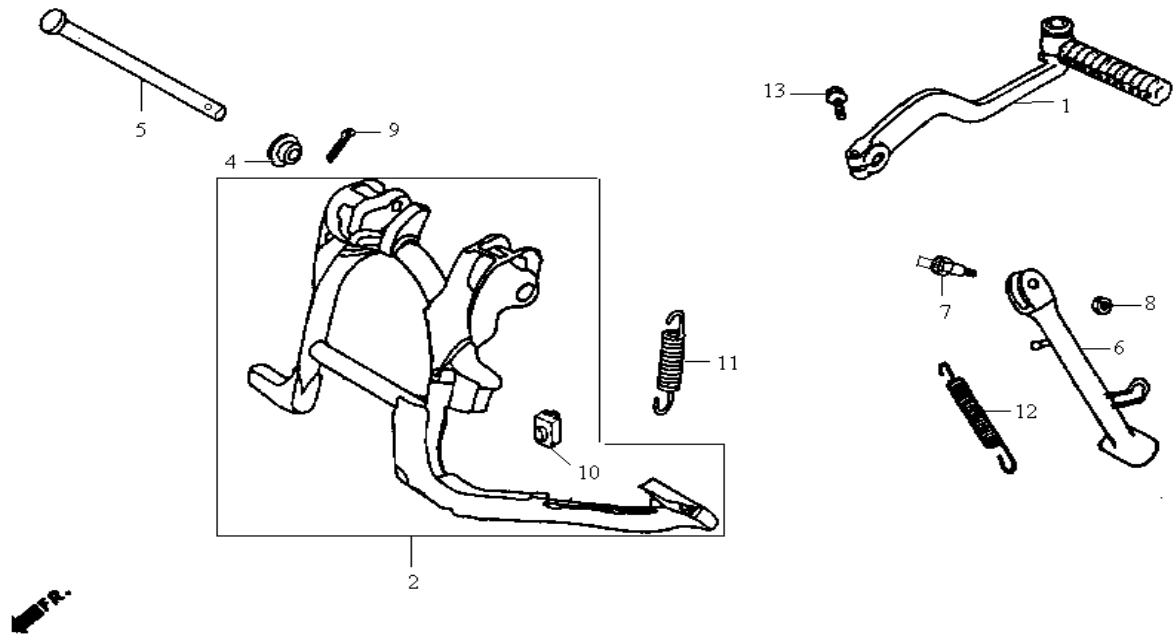
MODEL(S) G100P-6		A P P L Y	Q T Y R E Q	
BLOCK NO. .A-1 DESCRIPTION	CHANGE DATE			PARTS NUMBER
1.RR.cushion assy			1	52400-G22-000(<i>RED</i>)
2.HEX.bolt 8×32			1	52400-G22-900(<i>BLACK</i>)
3.Flange bolt 10×35			1	93201-08032-0A
4.Battery assy. YTX5L-BS			1	95801-10035-00
(YUASA)				1Y01KBN01-Y





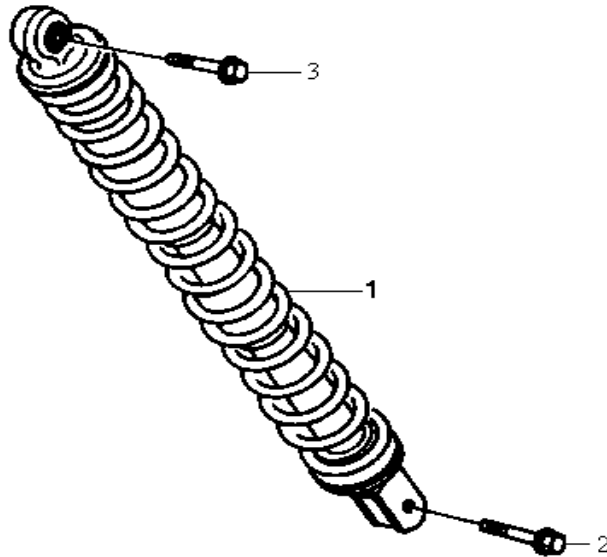
MODEL(S) G100P-6		A P P L Y	Q T Y R E Q	
BLOCK NO. .A-1 DESCRIPTION	CHANGE DATE			PARTS NUMBER
1.Oil strainer			1	17502-187-000
2.Oil lever SW.comp			1	35410-KBN-901
3.Oil tank assy			1	5510A-G22-000
4.Oil tank			1	55100-G22-000
5.Oil cap assy			1	55105-KBN-900
6.Oil guide rubber			1	55121-KBN-900
7.Oil tube assy			1	55200-KBN-920
8.Washer bolt 6×16			1	93404-06016-07



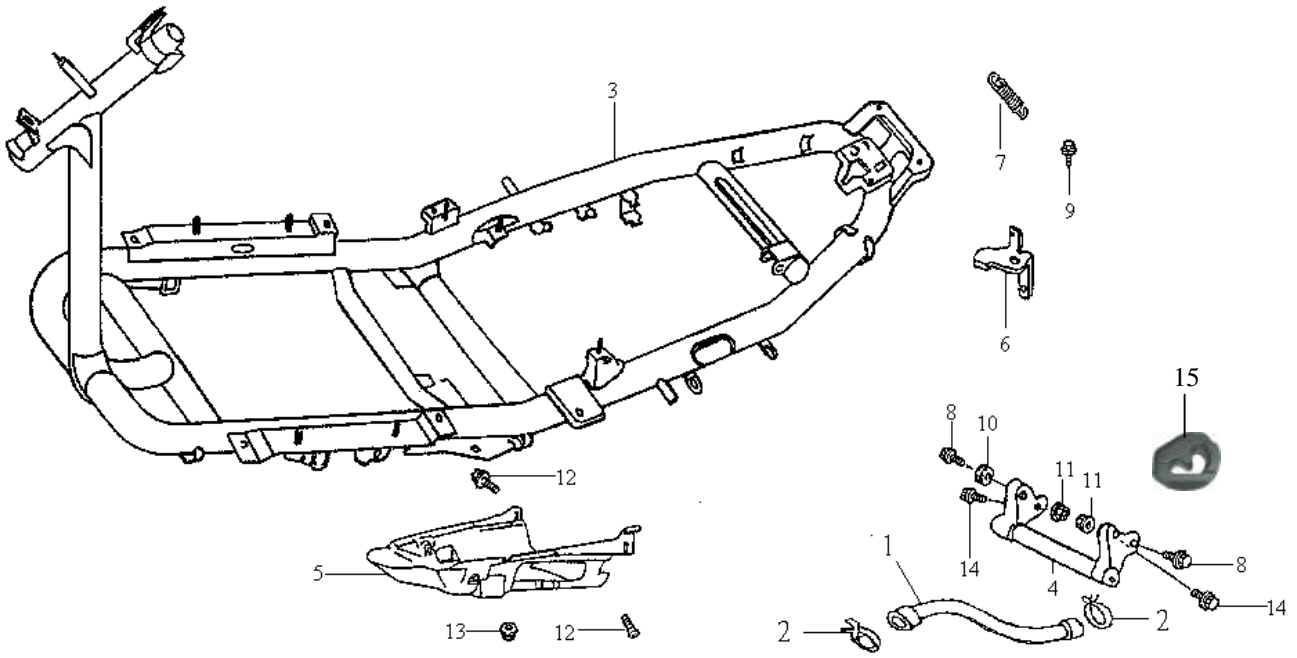


MODEL(S) G100P-6		A P P L Y	Q T Y R E Q	
BLOCK NO. .A-1 DESCRIPTION	CHANGE DATE			PARTS NUMBER
1.Arm assy.kick start			1	28300-KBN-900
2.Main stand assy			1	5050A-G22-000
4.Main stand shaft rubber			1	50502-KBN-900
5.Main stand shaft			1	50503-KBN-900
6.Side stand bar comp			1	50530-E69-000
7.Side stand pivot screw			1	90108-M9Q-000
8.Hex. nut 8mm			1	94030-08080
9.Split pin 1.6			1	94201-16200
10.Stand stopper rubber A			1	95011-61000
11.Main stand SPG.D			1	95014-71402
Main stand SPG.D			1	50505-E69-900
12.Side stand spring			1	50535-E60-000
13.Flange bolt 6×22			1	95701-06022-07



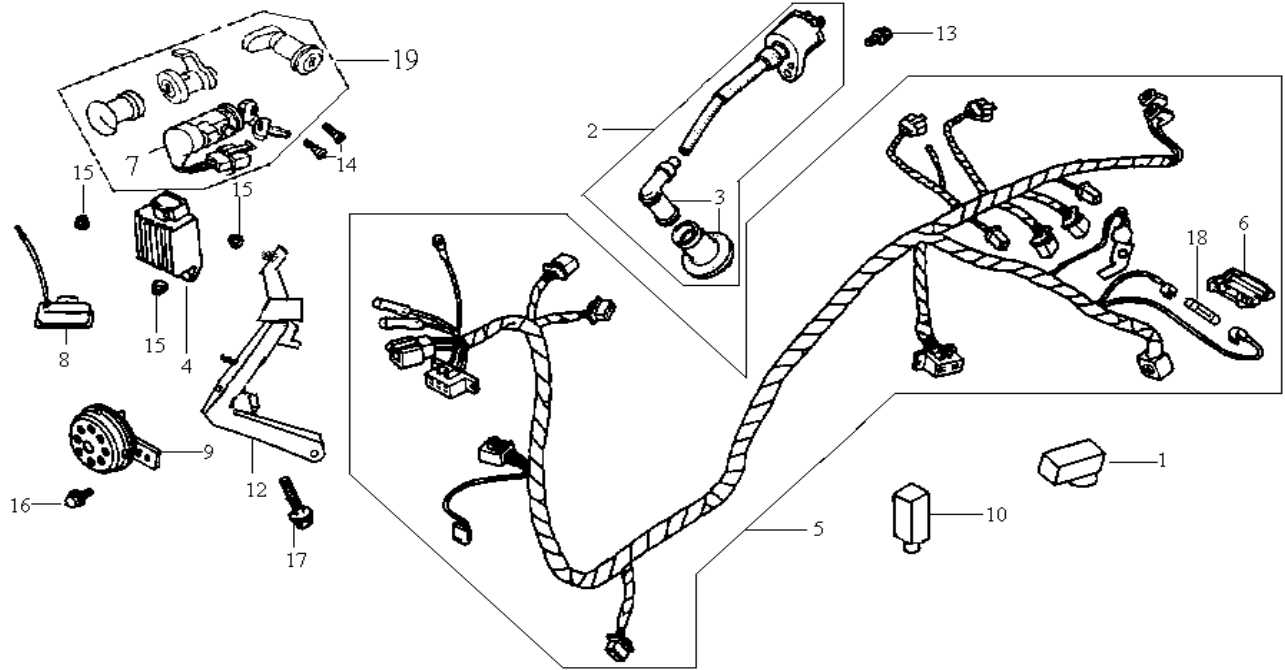


MODEL(S) G100P-6		A P P L Y	Q T Y R E Q	
BLOCK NO. .A-1 DESCRIPTION	CHANGE DATE			PARTS NUMBER
1.RR.cushion assy			1	52400-G22-000(<i>RED</i>)
2.HEX.bolt 8×32			1	52400-G22-900(<i>BLACK</i>)
3.Flange bolt 10×35			1	93201-08032-0A
				95801-10035-00



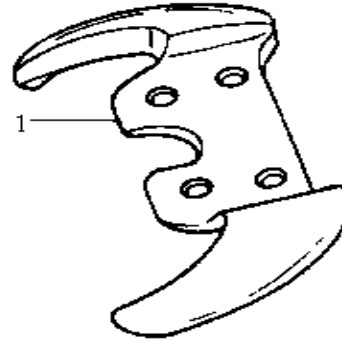
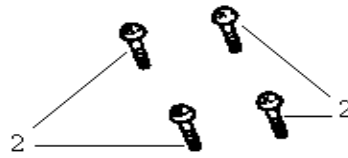
MODEL(S)	CHANGE DATE	A P P L Y	Q T Y R E Q	PARTS NUMBER
G100P-6				
DESCRIPTION	BLOCK NO. .A-3			
1.Hose cooling			1	19410-KBN-900
2.Clip hose	May/02.2000	N	1	19410-G2D-000
3.Frame body comp			2	19411-GW3-003
4.Eng.hanger link assy			1	50100-G2D-000
5.Under cover	May/02.2000	N	1	50350-KBN-900
6.Seat lock plate			1	50350-T5C-010
7.Seat lock spg.			1	50621-KBN-900
8.Flange bolt 10x55			1	77232-KBN-900
9.Flange bolt 6mm			1	77234-KBN-900
10.Collar distance			2	90106-M9Q-900
11.Nut U flange 10mm	May/02.2000	N	1	90112-KBN-900
12.Washer bolt 6x16			1	90121-T40-000
13.Flange nut 6mm			2	90121-M9Q-000
14.Flange bolt 10x70			2	90304-M9Q-000
15.Eng. Hanger link stopper rubber	Jan./19.2001		2	93404-06016-07
			2	94050-06070
			2	95801-10070-08
			1	(for 50350-KBN-900) 50355-KBN-900





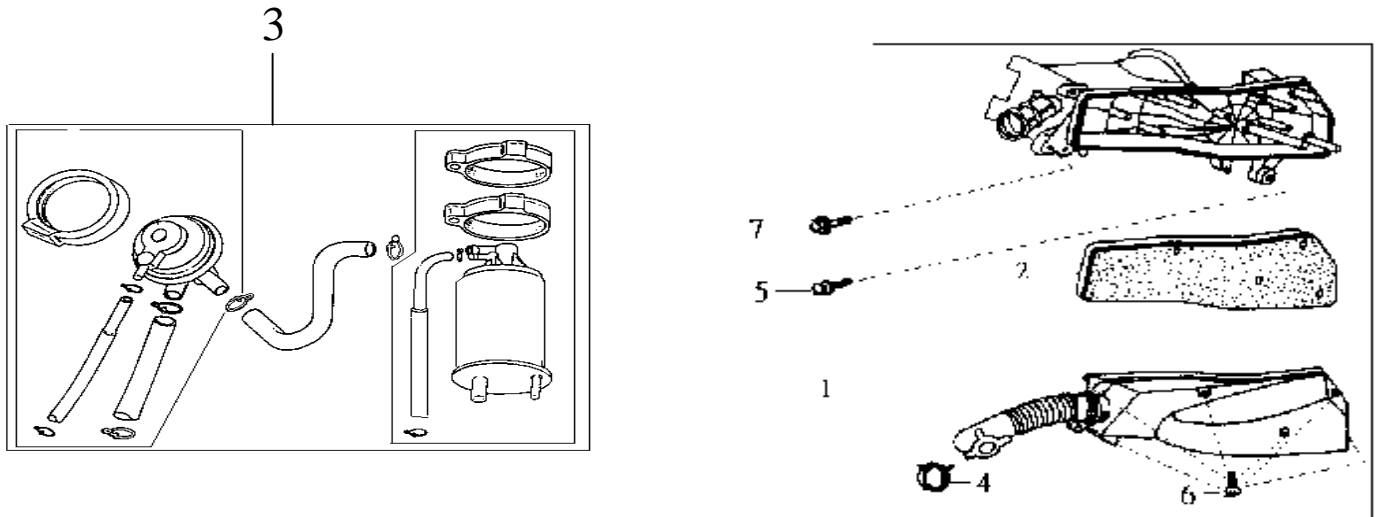
MODEL(S)		A	Q	
G100P-6		P	T	
BLOCK NO. .A-4	CHANGE DATE	L	R	
DESCRIPTION		Y	E	PARTS NUMBER
			Q	
1.C.D.I. unit assy			1	30400-GAK-900
2.Ign.coil & plug cap assy			1	30510-KBN-900
	Mar./14.2003		1	30500-KBN-900
3.Noise suppr. cap assy			1	30700-KBN-000
	Mar./14.2003		1	30700-KBN-900
4.Reg.rec.comp			1	31600-KBN-920
	Aug./20.2001	Y	1	31600-A39-000
5.Wire harness			1	32100-G22-000
6.7A fuse case			1	32121-196-003
7.Main switch comp			1	35100-G09-000
8.Resistor comp			1	35400-KBN-920
	Mar./14.2003			35400-M9Q-000
9.Horn comp			1	38110-G2D-000
10.Relay comp.start			1	38501-GW3-900
12.FR.cover stay			1	64315-G2D-000
13.Flange bolt 5×22			1	90112-GK8-010
14.Flange screw U lock			1	90164-X01-000
15.Flange nut 6mm			2	94050-06080
16.Flange bolt 6×12			1	95701-06012-00
17.Flange bolt 6×45			2	95801-06045-08
18.Fuse 7A			1	98200-10700
19.Key set			1	35010-G22-000





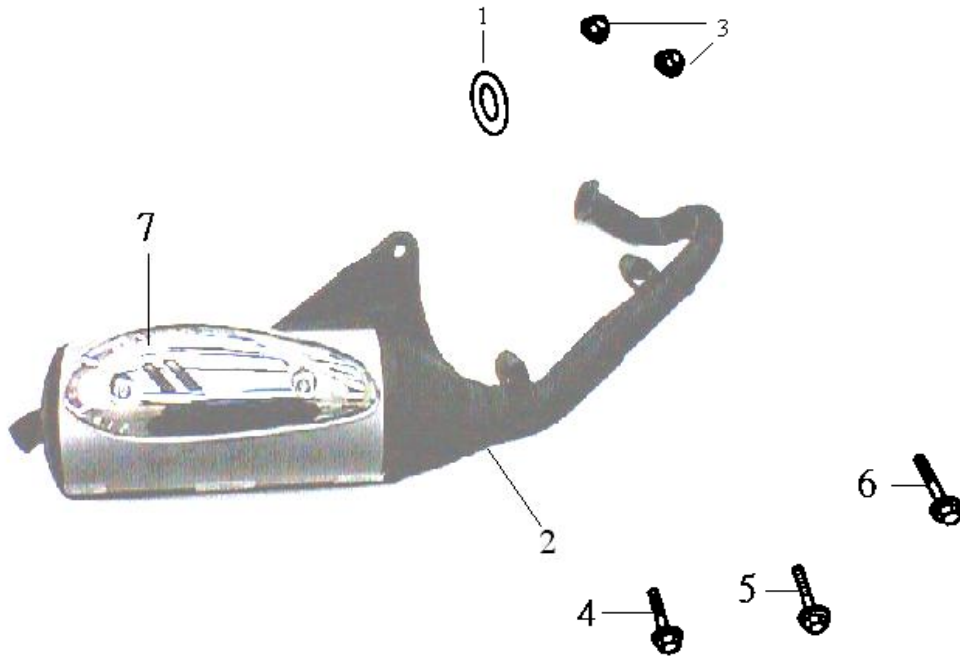
MODEL(S) G100P-6		A P P L Y	Q T Y R E Q		
BLOCK NO. .A-1 DESCRIPTION	CHANGE DATE			PARTS NUMBER	
1.RR. Carrier (GN-4923S) (BU-3940S) (R-010CA) (Y-109P) (BK-001C) (S-880S) 2.Special bolt 8 mm			1 1 1 1 4	GREEN BLUE RED YELLOW BLACK SILVER	81300-G22-000-EG 81300-G22-000-UM 81300-G22-000-RT 81300-G22-000-YG 81300-G22-000-BK 81300-G22-000-SQ 90105-G19-000





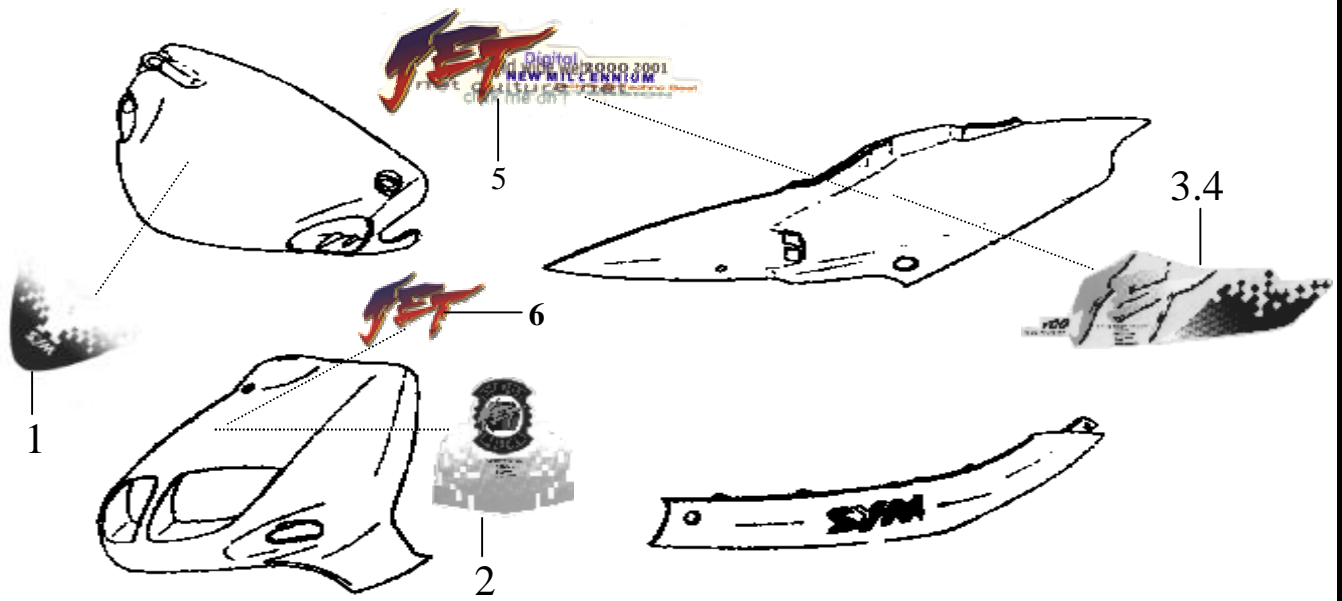
MODEL(S) G100P-6		A P P L Y	Q T Y R E Q	
BLOCK NO. .A-1 DESCRIPTION	CHANGE DATE			PARTS NUMBER
1. Air/C.SET			1	17200-G2D-000
2. Element air/C			1	17205-KBN-900
3. EEC. Set			1	1740A-T3D-000
4. Band air/C.conntube			1	90652-GHB-640
5. Bolt washer 6×35			1	93404-06035-07
6. Screw tapping 5×20			7	93903-25580
7. Bolt flange 6×25			1	95801-06025-07





MODEL(S) G100P-6		A	Q	
BLOCK NO. .A-2 DESCRIPTION	CHANGE DATE	P	T	PARTS NUMBER
		L	R	
		Y	E	
		Q	Q	
1.Ex. pipe gasket			1	18292-KR1-680
2.Ex. muffler assy.			1	18000-G2D-000
	Aug./28.2000	N	1	18000-G2D-010
3.HEX. cap nut 6mm			2	90304-M9Q-900
4.Flange bolt 8×45			1	95701-08045-07
5.Flange bolt 8×55			1	95701-08055-07
6.Flange bolt 8×70			1	95701-08070-07
7.Muffler protector			1	18318-A31-010





MODEL(S) G100P-6	CHANGE DATE	A P P L Y	Q T Y R E Q	PARTS NUMBER
BLOCK NO. .A-2 DESCRIPTION				
1.Fr. handle cover stripe			1	FOR(BLACK) 87124-G22-000-T1 FOR(BLUE/RED) 87124-G22-000-T2 FOR(GREEN) 87124-G22-000-T3 FOR(YELLOW) 87124-G22-000-T4
2.Fr. cover stripe			1	FOR(BLACK) 87125-G22-000-T1 FOR(BLUE/RED) 87125-G22-000-T2 FOR(GREEN) 87125-G22-000-T3 FOR(YELLOW) 87125-G22-000-T4
3.R. body cover stripe			1	FOR(BLACK) 87126-G22-000-T1 FOR(BLUE/RED) 87126-G22-000-T2 FOR(GREEN) 87126-G22-000-T3 FOR(YELLOW) 87126-G22-000-T4
4.L. body cover stripe			1	FOR(BLACK) 87127-G22-000-T1 FOR(RED) 87127-G22-000-T2 FOR(GREEN) 87127-G22-000-T3 FOR(YELLOW) 87127-G22-000-T4
5.L. R. Body cover stripe(Type1)	Jan./15.2001	Y	2	87126-T5C-000
6.FR. Cover stripe(Type1)	Jan./15.2001	Y	1	87125-T5C-000

