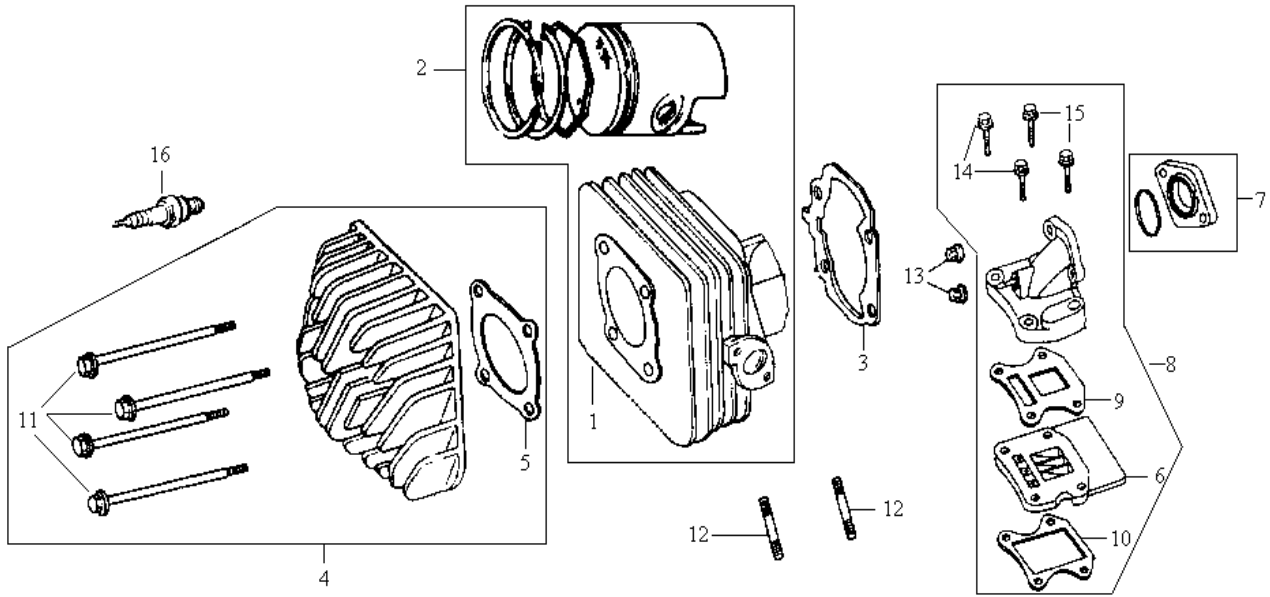


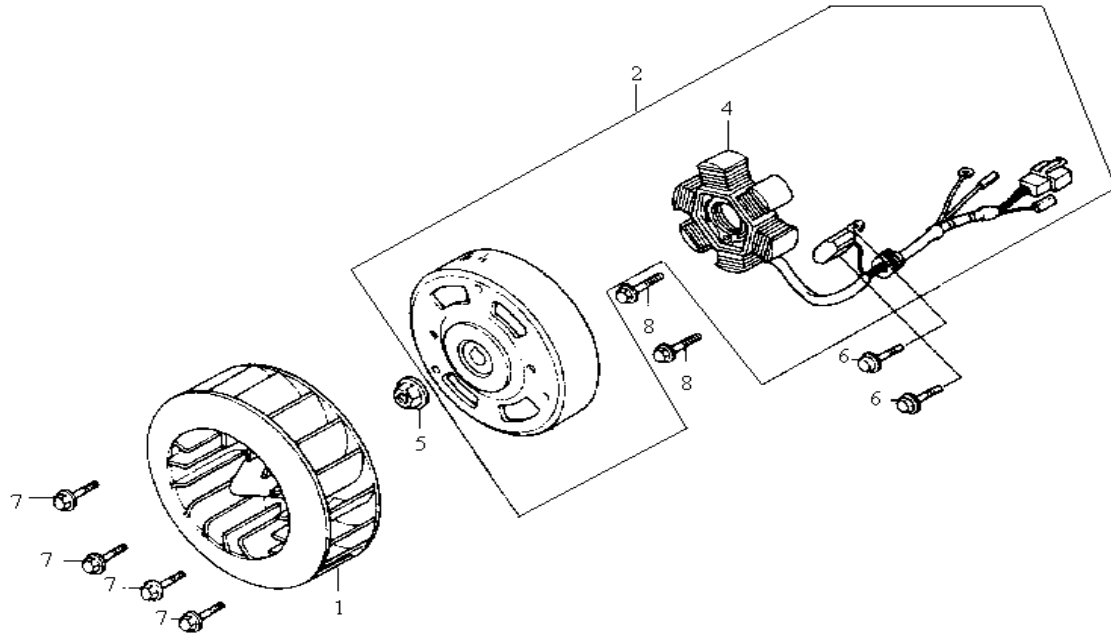
MODEL(S) G100P-6	CHANGE DATE	A P P L Y	Q T Y R E Q	PARTS NUMBER
BLOCK NO. .A-1 DESCRIPTION				
1.Fan cover comp 2.Shroud assy 3.Rubber shroud seal 4.Harness wire clip 5.Flange bolt SH 6x25			1 1 1 2 4	19610-KBN-900 1962A-KB1-900 19624-KBN-900-H1 32161-393-003 96001-06025-00





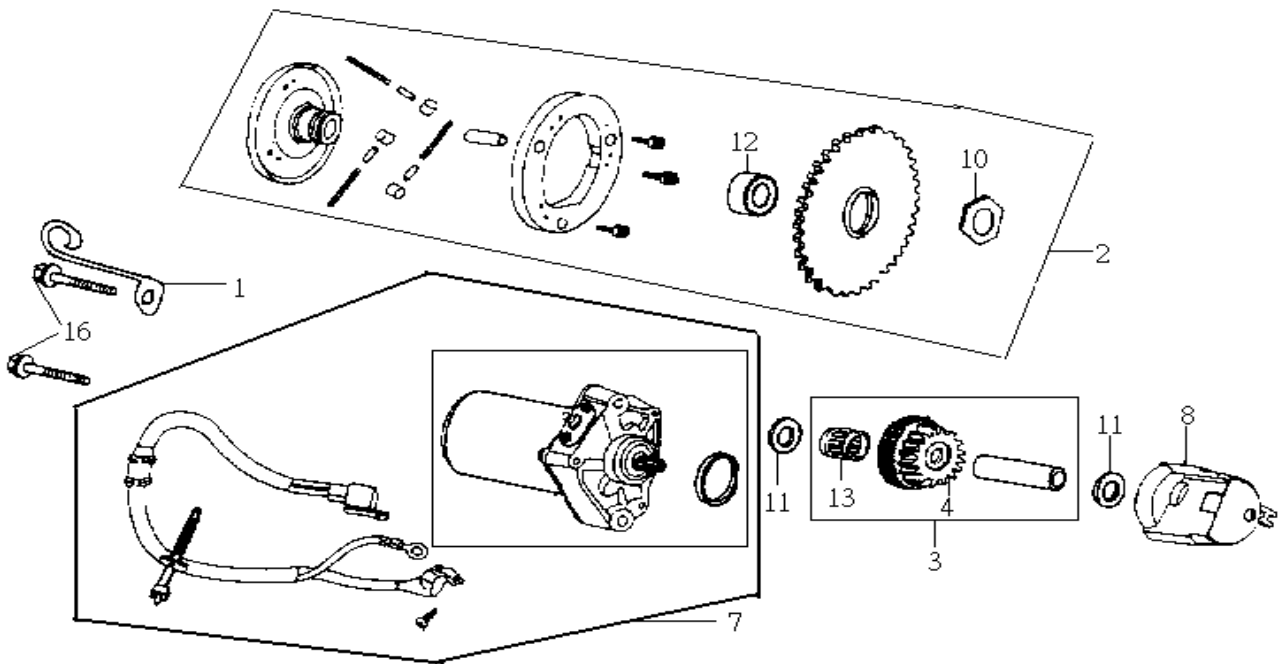
MODEL(S)	CHANGE DATE	A P P L Y	Q T Y R E Q	PARTS NUMBER
G100P-6				
DESCRIPTION	BLOCK NO. .A-1			
1.Cylinder			1	12101-KBN-920
2.Cylinder□piston□ ring set			1	12100-KBN-000-A
3.Cylinder gasket			1	12191-KBN-900
4.Cylinder head			1	1220A-KB1-920
5.Cylinder head gasket			1	12251-KBN-900
6.Read valve comp			1	14100-KBN-920
7.Carburetor insulator assy			1	1621A-KB1-900
8.Inlet pipe ass'y			1	1710A-G2D-000
9.Inlet pipe gasket A			1	17111-KBN-901
10.Inlet pipe gasket B			1	17112-KBN-901
11.Flange bolt 7×100			4	90001-KBN-900
12.Stud bolt 6×28			2	92700-06028-1B
13.Flange nut 6mm			2	94050-06000
14.Flange bolt SH 6×22			2	96001-06022-00
15.Flange bolt SH 6×28			2	96001-06028-00
16.Spark plug(BR8HSA)			1	1PBR8HSA-3
Spark plug(BR6HSA)			1	1PBR6HSA-3





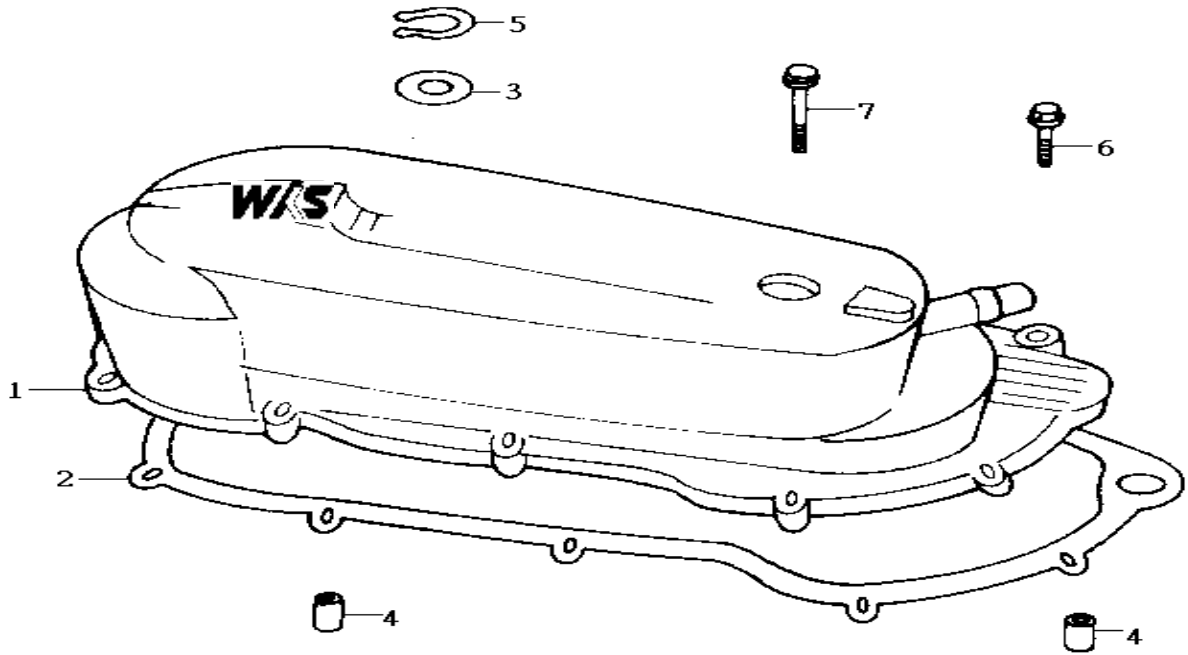
MODEL(S) G100P-6		A P P L Y	Q T Y R E Q	
BLOCK NO. .A-1 DESCRIPTION	CHANGE DATE			PARTS NUMBER
1.Cooling fan comp.			1	19510-GW3-900
2.A.C.G. assy.			1	31100-KBN-920
4.Stator comp.			1	31120-N28-010
5.Flange nut 10mm			1	94050-10000
6.Flange bolt SH 6×12			2	96001-06012-00
7.Flange bolt SH 6×16			4	96001-06016-00
8.Flange bolt SH 6×22			2	96001-06022-00





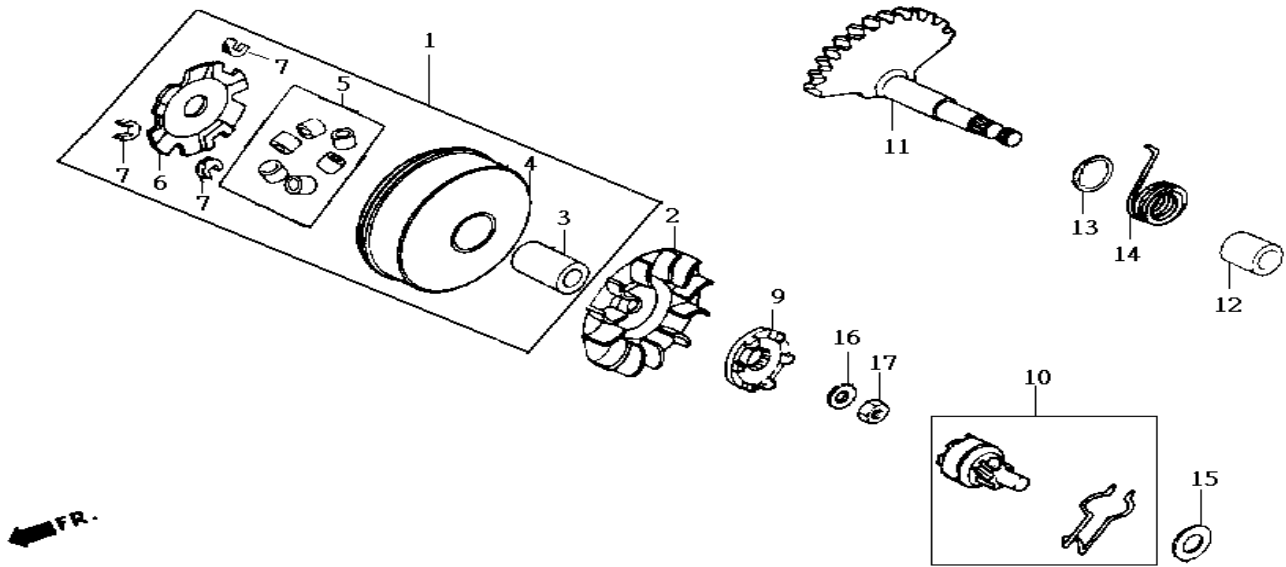
MODEL(S)		A	Q	
G100P-6		P	T	
BLOCK NO. .A-2	CHANGE	L	R	
	DATE	Y	E	
DESCRIPTION			Q	PARTS NUMBER
1.Carb drain calmp			1	11208-KBN-900
2.Start. One-way clutch assy.			1	28100-KBN-920
	Mar./14.2003			28100-M5Q-000
3.Start. Riduction assy.			1	2810A-KB1-900
4.Start. Riduction gear comp.			1	28101-KBN-900
7.Starter motor assy.			1	31200-KBN-900
8.Holder comp. Starter pinion			1	31203-KBN-900
10.Special nut 24mm			1	90201-KBN-900
11.Washer 24x8.5			2	90502-MS2-000
12.BRG. Ball radial 6005-2NGK			1	91005-KBN-900
13.Shell needle BRG. 8x15x14			1	91021-KBN-901-Y1
16.Flange bolt SH 6x32			2	96001-06032-00





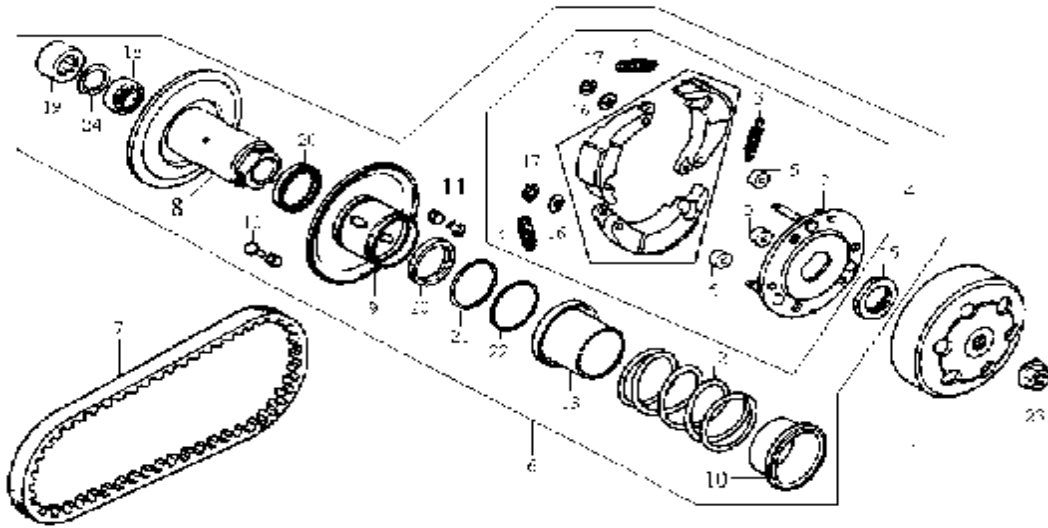
MODEL(S) G100P-6		A P P L Y	Q T Y R E Q	
BLOCK NO. .A-1 DESCRIPTION	CHANGE DATE			PARTS NUMBER
1.L side cover comp.			1	11341-G22-010
2.L cover gasket			1	11395-G22-000
3.Kick spindle washer			1	90451-GN2-600
4.Dowel pin 10x20			2	94301-10200
5.EX. Cir clip 14mm			1	94511-14000
6.Flange bolt SH 6x25			8	96001-06025-00
7.Flange bolt SH 6x40			2	96001-06040-07



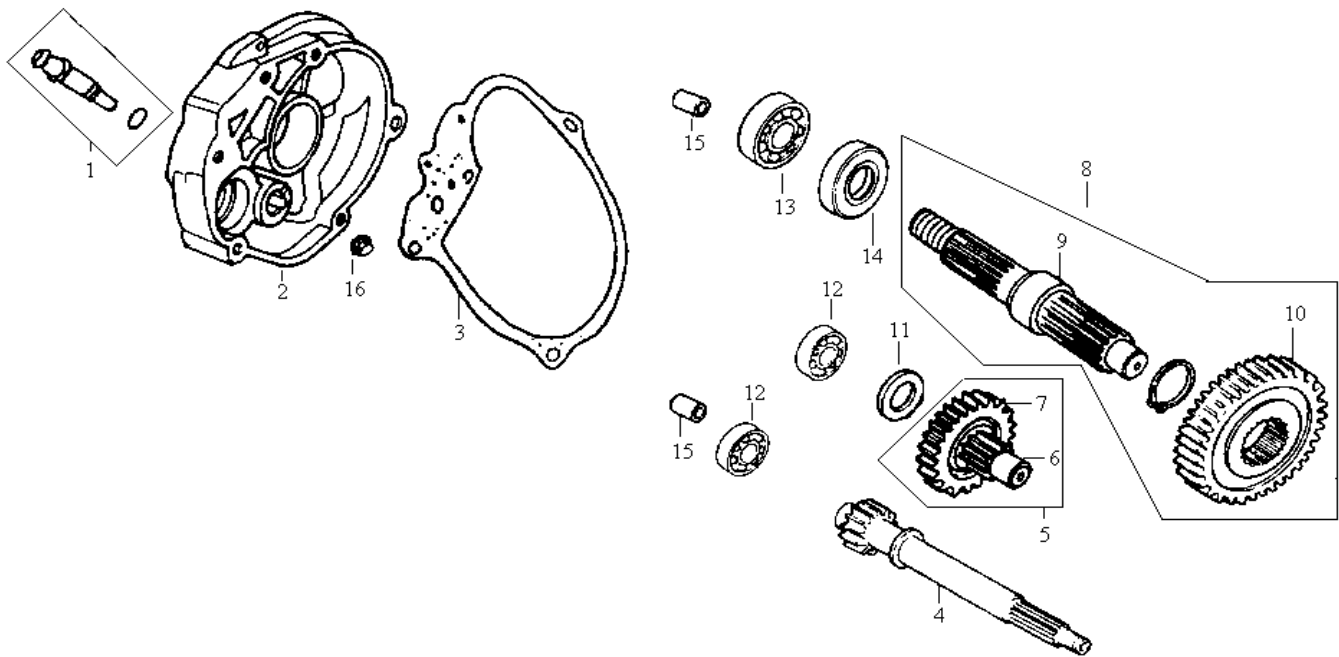


MODEL(S)	CHANGE DATE	A P P L Y	Q T Y R E Q	
G100P-6				
DESCRIPTION	BLOCK NO. .A-1			
1.Movable drive face assy			1	2201A-KB1-920
2.Drive face			1	22102-KBN-900
3.Drive face boss			1	22105-GW3-000
4.Movable drive face comp			1	22110-KBN-900
5.Weight roller comp. 7.5GR set			6	22121-GZ5-003-A
6.Ramp plate			1	22131-GW3-900
7.Slide piece set			3	22132-GN3-000-A
9.Kick starter rathe			1	28211-KBN-900
10.Kick driven gear assy			1	2823A-KB1-900
11.Kick starter spindle comp			1	28250-G22-000
12.Kick spindle bush			1	28253-GN2-601
13.Kick boss collar			1	28255-GS6-000
14.Kick return spring			1	28281-GN2-602
15.Thrust washer 10mm			1	90412-329-000
16.Special washer 12mm			1	90426-KBN-900
17.HEX. nut 12mm			1	94001-12200-0S



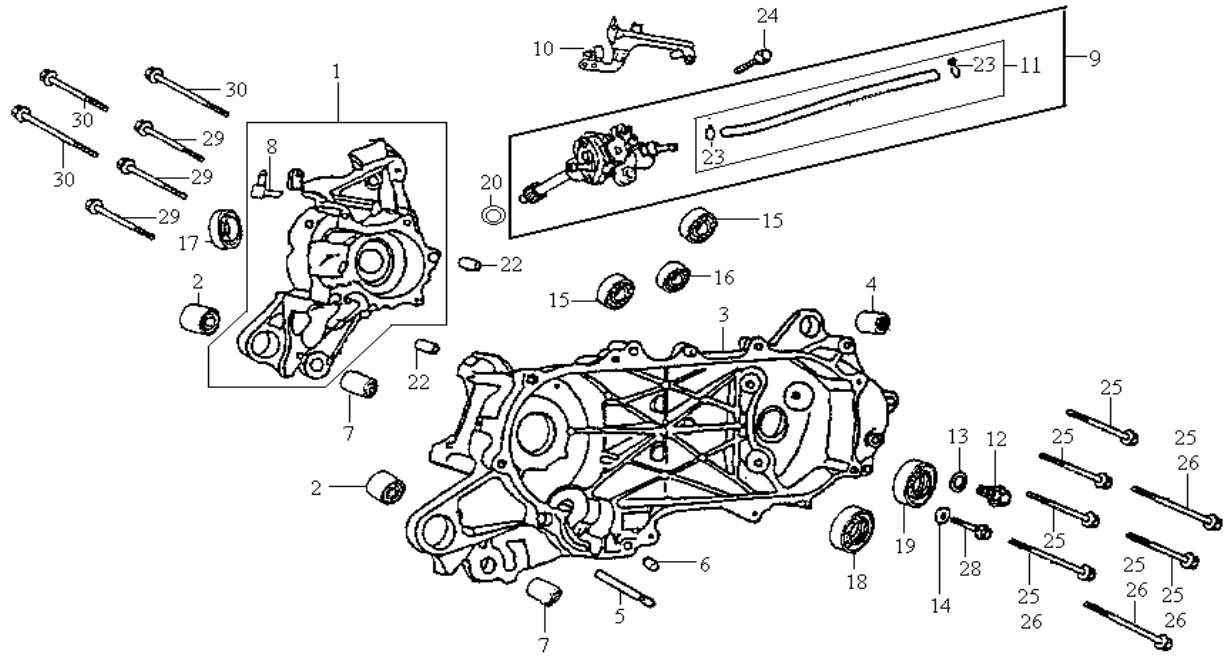


MODEL(S)		A	Q	
G100P-6		P	T	
	BLOCK NO. .A-3	P	R	
DESCRIPTION	CHANGE DATE	L	E	PARTS NUMBER
		Y	Q	
1.Clutch outer			1	22100-KBN-900
2.Drive plate assy			1	22350-GW3-000
3.Clutch spring	Mar./14.2003		3	22350-M5Q-000
4.Clutch weight set	Mar./14.2003		1	22401-KB1-000
5.Clutch damper rubber	Mar./14.2003		1	22401-M5Q-000
6.Driven pulley assy	Mar./14.2003		1	22300-KBN-920
7.Drive belt	Mar./14.2003		1	22300-M5Q-000
8.Movable drive face comp			1	22804-GB2-000
9.Movable driven pin face comp			1	22804-A3A-000
10.Roller guide pin	30/07/2003		3	23010-KBN-920
11.Guide roller	30/07/2003		3	23010-M5Q-000
12.Driven face spring			1	1B01G2201
13.Seal collar			1	23210-GW3-000
15.Special nut 28mm	Mar./14.2003		1	23220-KBN-900
16.Thrust washer 6mm			3	23225-GR1-750
17.Cir clip 6mm			3	23226-GW3-000
18.Radial ball BRG.6901U			1	23233-GW3-010
19.Needle BRG.17×25×18ws			1	23237-GW3-000
20.Oil seal 34×39×3	Mar./14.2003		2	90202-187-000
21.O-ring 36×1.5	Mar./14.2003		1	90202-M9Q-000
22.O-ring 39.8×2.2	Mar./14.2003		1	90442-044-000
23.Flange nut 10mm	Mar./14.2003		1	90603-044-000
24.Cir clip IN 24			1	91001-GW0-901-E1
				91103-GR1-003
				91211-GK8-003
				91211-A3A-000
				91351-GR1-000
				91351-642-000
				91351-042-000
				91302-A3A-000
				94050-10000
				94520-24000

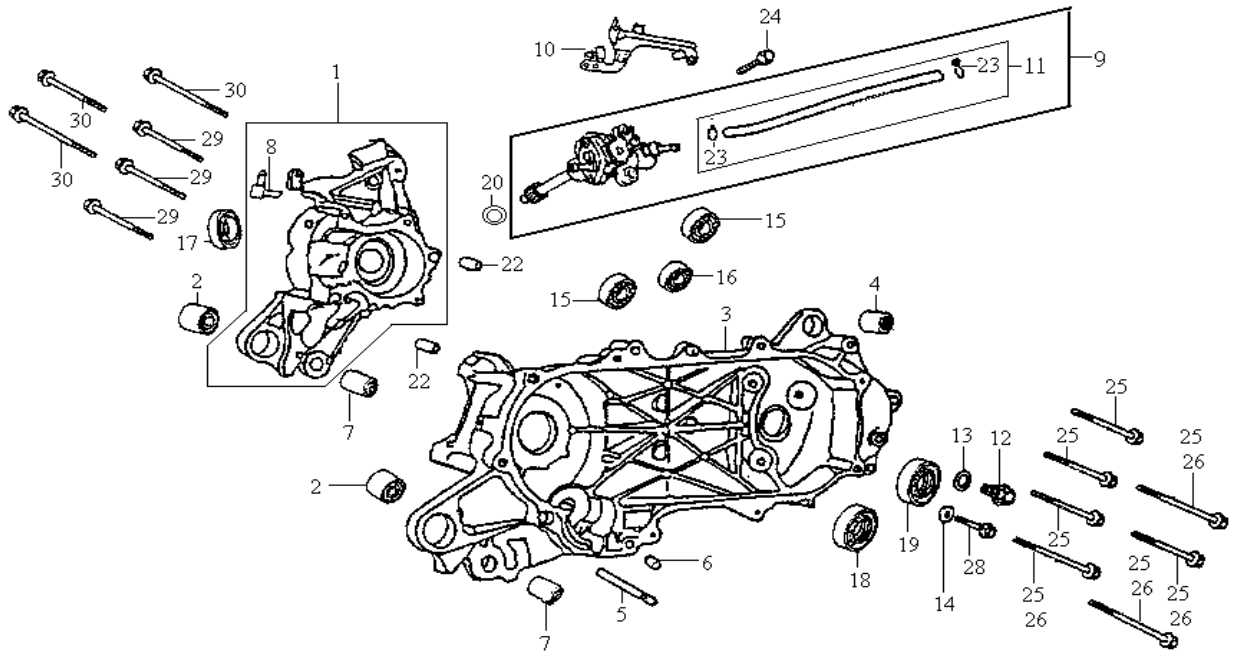


MODEL(S)	CHANGE DATE	A P P L Y	Q T Y R E Q	PARTS NUMBER
G100P-6				
DESCRIPTION	BLOCK NO. .A-2			
1.Brk. shoe anchor pin assy	Mar./14.2003		1	1120A-KG8-000 11203-KG8-300
2.Mission case comp			1	21200-GAK-900
3.Mission case gasket			1	21395-KBN-900
4.Drive shaft			1	23411-G14-000
5.Counter shaft comp			1	(FOR ENGLISH) 23420-G25-000
6.Counter shaft			1	(FOR ENGLISH) 23421-G22-000
7.Counter gear			1	(FOR ENGLISH) 23422-KBN-900-H1
8.Final shaft assy			1	2343A-G22-000
9.Final shaft			1	23431-G14-000
10.Final gear			1	23432-G22-000
11.Side washer 12mm			1	90429-KBN-900
12.Radial ball brg.6201			2	91004-KN2-901
13.Radial ball brg.6004UU			1	91009-GE0-003-M1
14.Oil seal 27×42×7			1	91255-GE0-003
15.Doewl pin 10×20			2	94301-10200
16.Flange nut 8mm			1	94050-08000



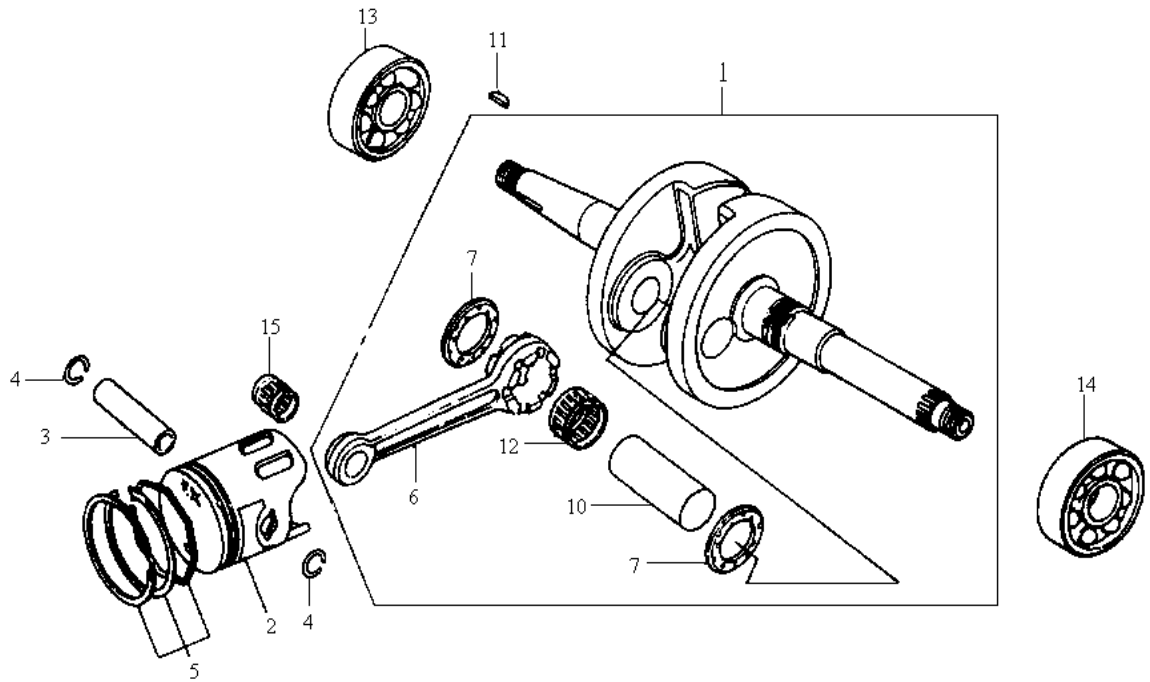


MODEL(S)		A	Q	
G100P-6		P	T	
	BLOCK NO. .A-3	L	R	
DESCRIPTION	CHANGE DATE	Y	E	PARTS NUMBER
1. R.crank case body			1	11100-KBN-900-SN
2. ENG.hanger rub.bush	Mar./14.2003		2	11100-M5Q-000 11102-187-003
3. L.crank case body	Mar./14.2003		1	11102-M9Q-300 11200-G22-010
4. R.R.cush .und.rub.bush			1	11203-GC7-300
5. Pin.spg.hook	Mar./14.2003		1	11203-M9Q-300 11204-KBN-900
6. Bush 8×12×8			1	11205-GAH-003-H1
7. Bush, M stand	Mar./14.2003		2	11205-M7Q-300 11205-KBN-900-H1
8. Pulse joint comp			1	11206-GW0-300
9. Oil pump assy	Mar./14.2003		1	11206-M7Q-300 1510A-KB1-900
10.Oil pump set plate assy	Jan./19.2001	Y	1	1510A-G2D-000
11.Oil pass tube comp			1	1511A-KB1-920
12.Oil level check bolt			1	15525-KBN-900
13.Plain washer 10.2			1	90035-KZ1-000
14.Washer A 8mm			1	90481-705-000
15.Ball brg.6203(TMB)			2	90488-700-000
16.Radial ball brg.6201			1	91004-KBN-921-M1 91004-KN2-901



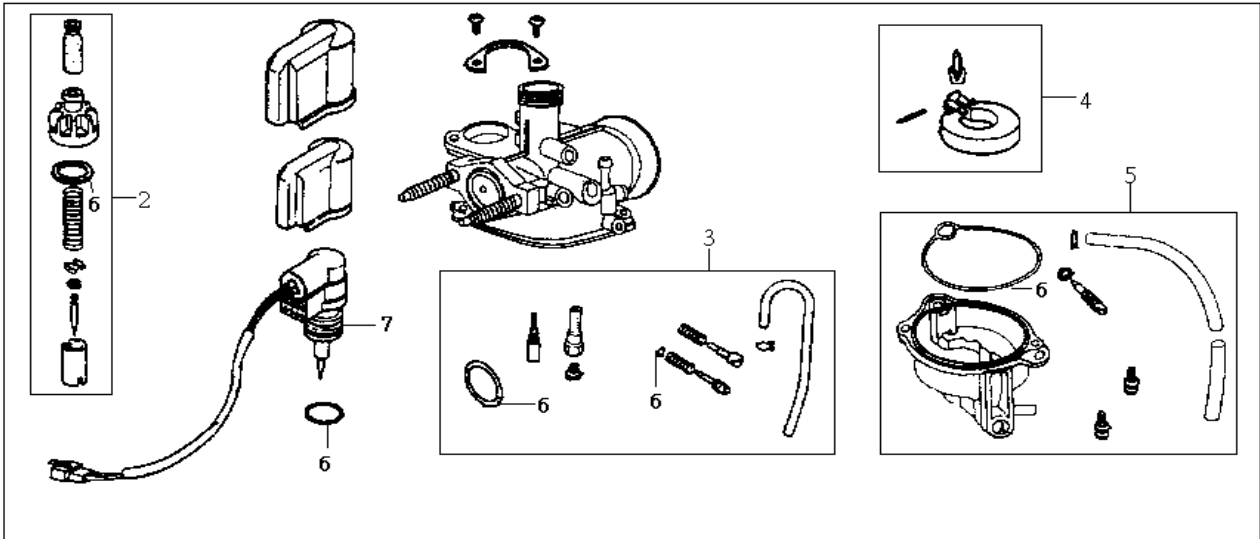
MODEL(S)	CHANGE DATE	A P P L Y	Q T Y R E Q	PARTS NUMBER
G100P-6				
DESCRIPTION				
17.Oil seal assy. 15.6×25.5×7			1	91201-F01-000
18.Oil seal assy.20×31×7			1	91202-F01-000
19.Oil seal 17×30×6			1	91204-KBN-901-M1
20.O-ring			1	91301-166-000
22.Dowel pin 10×20			2	94301-10200
23.Tube clip B6.5			2	95002-02650-0A
24.Flange bolt 8×12			1	95701-08012-00
25.Flange bolt 8×35			2	95701-08045-00
26.Flange bolt 8×40			5	95701-08040-00
28.Flange bolt SH 6×32			1	96001-06032-00
29.Flange bolt SH 6×45			3	96001-06045-00
30.Flange bolt SH 6×55			3	96001-06055-00





MODEL(S) G100P-6	CHANGE DATE	A P P L Y	Q T Y R E Q	
BLOCK NO. .A-3 DESCRIPTION				PARTS NUMBER
1.Crank shaft comp			1	13000-G1D-000
2.Piston			1	13101-KBN-900
3.Piston pin			1	13111-KBN-900
4.Piston pin clip 12mm			2	94601-14000
5.Piston ring set			1	1312A-KB1-900
6.Conn rod			1	13201-KBN-900-H1
7.Connecting rod side plate			2	13202-169-003
10.Crank pin			1	13381-KBN-900-H1
11.Woodruff key 10×4			1	90741-035-000
12.BRG.con-rod big end			1	91001-GW0-008-H1
13.Ball radial special BRG.6204			1	91001-GW0-901-E1
14.BRG.ball radial 25×56×12			1	91006-KBN-900
15.BRG. con-rod S.E			1	91102-168-003-KD





MODEL(S) G100P-6	CHANGE DATE	A P P L Y	Q T Y R E Q	
BLOCK NO. .A-2 DESCRIPTION				PARTS NUMBER
1. Carburetor assy 2. Carb. needld fix set 3. Carb. screw fix set 4. Carb. float fix set 5. Carb. f.c.b. fix set 6. Carb. gasket fix set 7. Carb.auto by start assy	Aug./16.2000	N	1 1 1 1 1 1 1	(Revised) 16100-G17-600 KBNA-1 KBNA-2 KBNA-3 KBNA-4 KBNA-5 16046-KBN-921