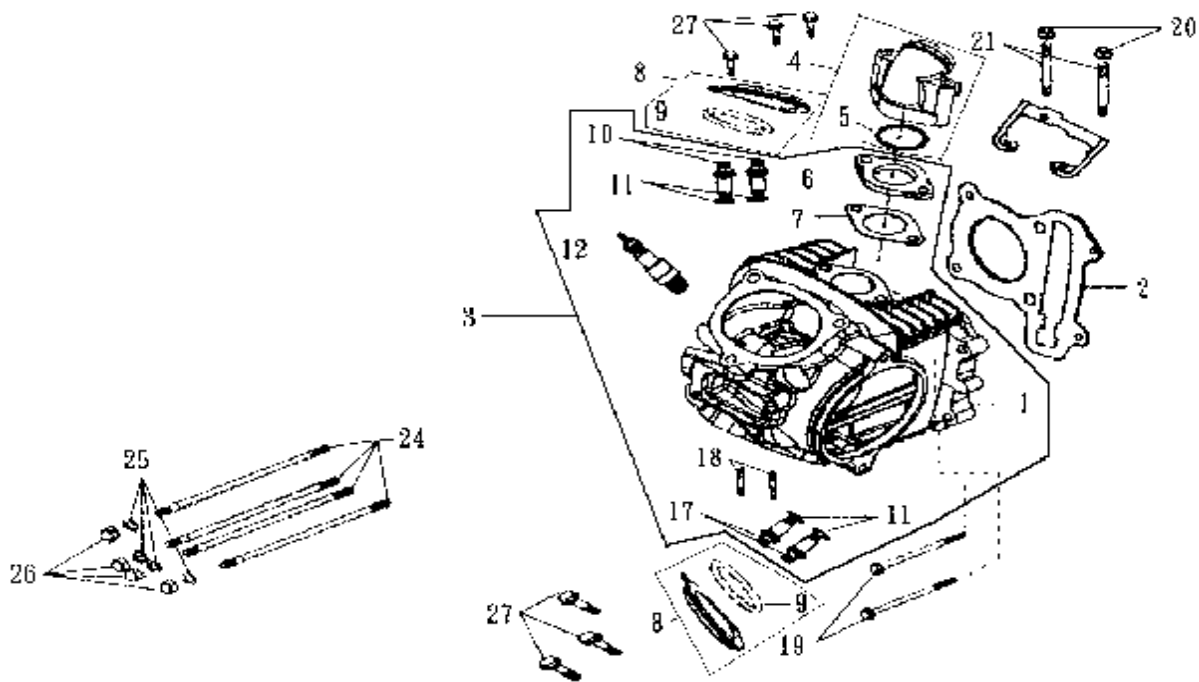


MODEL(S) <i>HF15W-6</i>	BLOCK NO .A-1	A P P L Y	Q T Y R E Q	
PARTS NUMBER	CHANGE DATE			DESCRIPTION
1. 11384-M92-000			1	Breather tube clamber
2. 11385-H3A-000			1	Carb. Drain tube clamber
3. 1961A-H6B-000			1	Fan cover assy
4. 1962A-H6B-000			1	Shroud A
5. 19632-V02-000			1	Hightension cord clip
6. 1963A-H3A-000			1	Shroud B
7. 32161-H6B-000			1	Harness wire clip
8. 70529-M9Q-000			1	Side panel grommet B
9. 93904-35280			2	Tapping screw 5x12
10. 93904-35380			6	Tapping screw 5x16
11. 96001-06025-00			1	SH flange bolt 6x25
12. 96001-06025-08			3	SH flange bolt 6x25

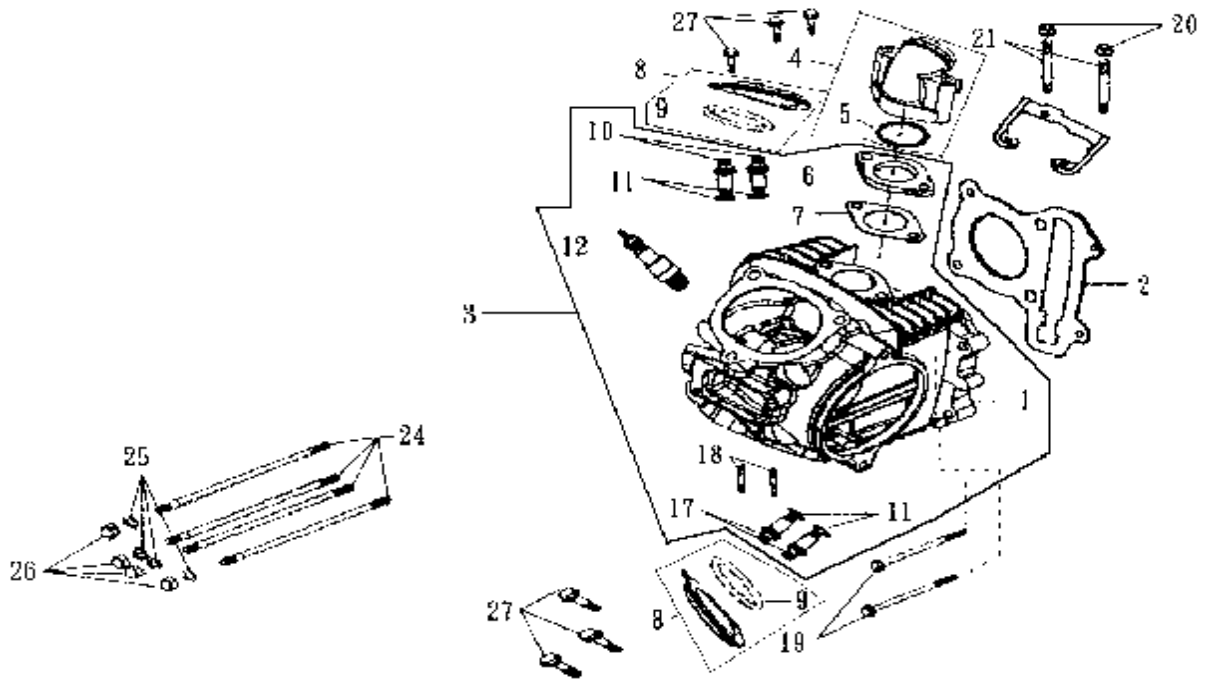
# E02 CYLINDER HEAD



MODEL(S)	CHANGE DATE	A P P L Y	Q T Y R E Q	DESCRIPTION
HF15W-6				
PARTS NUMBER				
1. 12200-H5A-000			1	Cylinder head comp
2. 12251-H7A-000			1	Cylinder head gasket
<b>3. 1220A-H5A-001</b>			1	Cylinder head assy
4. 1711A-H6B-900			1	Inlet pipe assy
5. 91308-M9Q-000			1	O-Ring 27x2.0
6. 16211-M92-000			1	Carb. Insulator
7. 16201-M92-000			1	Carb. Insulator gasket
8. 1236A-H6B-000			2	Tappet adj. Hole cap assy
9. 91302-H6B-900			2	Tappet adj. Hole cap seal
10. 12237-H6B-300			2	In valve guide
11. 91305-M9Q-000			4	O-Ring 9x1.6
12. 1PC7E			1	Spark plug (C7E)
17. 12245-H6B-300			2	Exh. Valve guide
18. 90032-M92-300			2	Special stud bolt 32mm
19. 96001-06095-08			2	SH. Flange bolt 6x95



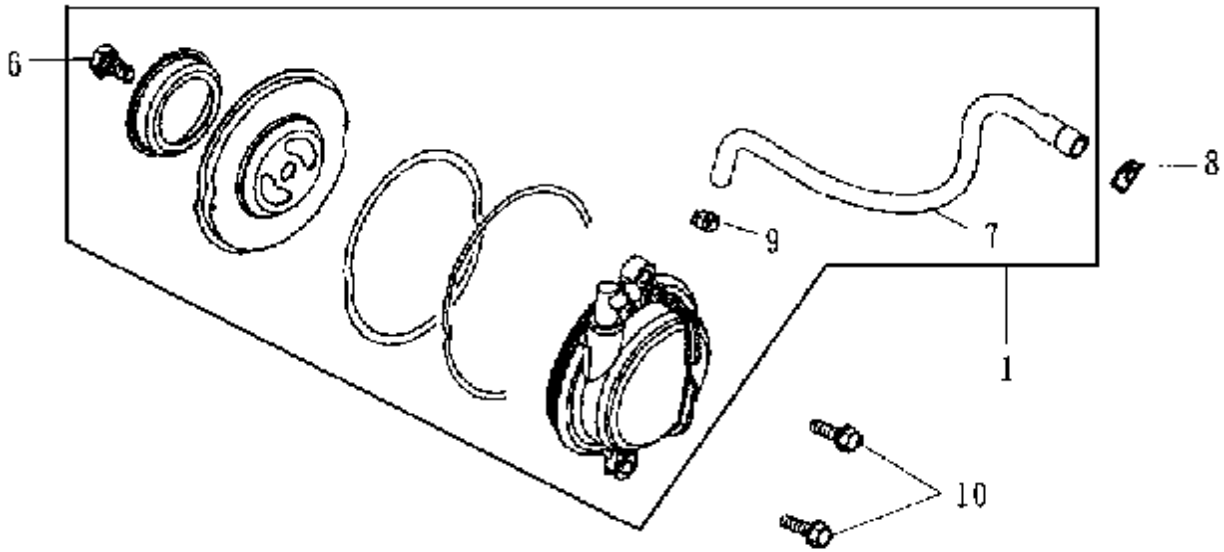
TEAMWORLD IND. 2003



MODEL(S) <i>HF15W-6</i>		A P P L Y	Q T Y R E Q	
BLOCK NO .A-1  PARTS NUMBER	CHANGE DATE			DESCRIPTION
20. 94050-06000			2	Flange nut
21. 90033-M92-000			2	Stud bolt 6x55
24. 90031-107-010			4	Cylinder stud bolt
25. 90442-028-000			4	Sealing washer 8mm
26. 90443-107-000			4	Cap nut 8mm
27. 96001-06016-08			6	SH. Flange bolt 6x16

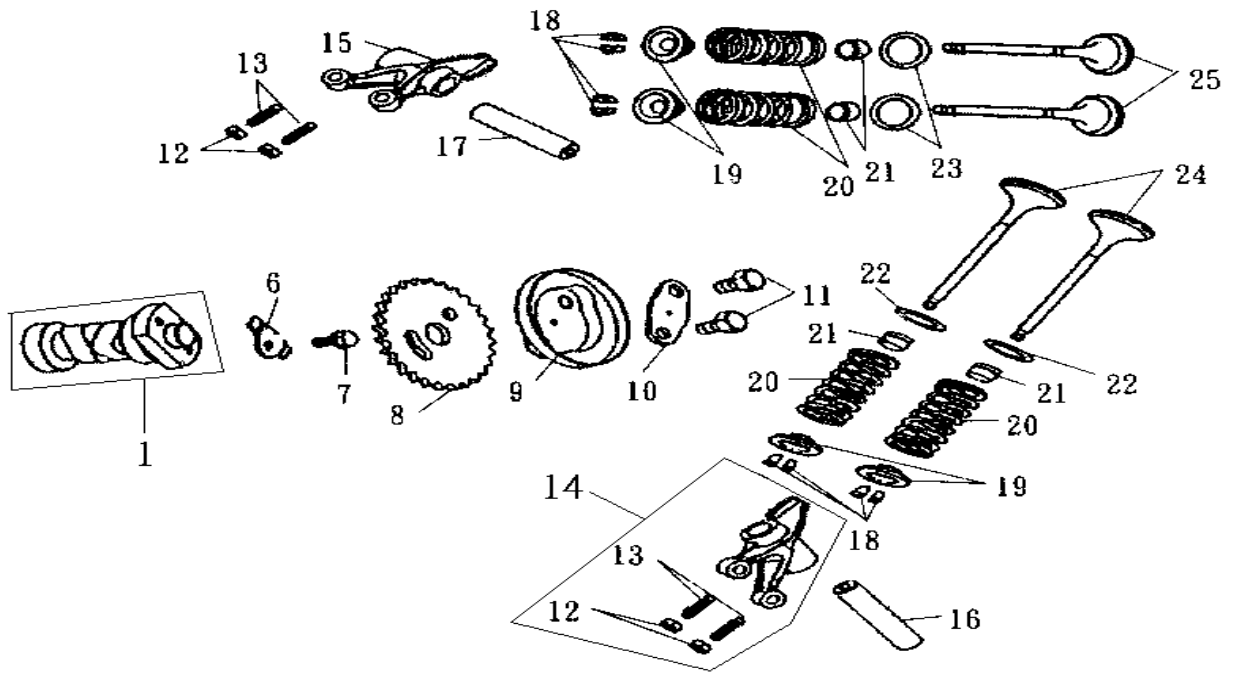


**E03 CYLINDER HEAD L. COVER**



MODEL(S) <i>HF15W-6</i>		A P P L Y	Q T Y R E Q	
BLOCK NO .A-1  PARTS NUMBER	CHANGE DATE			DESCRIPTION
1. 12300-H6B-000			1	Cylinder head L side cover
6. 96001-06010-00			1	SH. Flange bolt 6x10
7. 11221-H3A-000			1	Breather tube
8. 90682-V02-900			1	Tube clamping D11.5
9. 95002-40850-08			1	Tube clip D 8.5
10. 95701-06020-00			2	Flange bolt 6x20

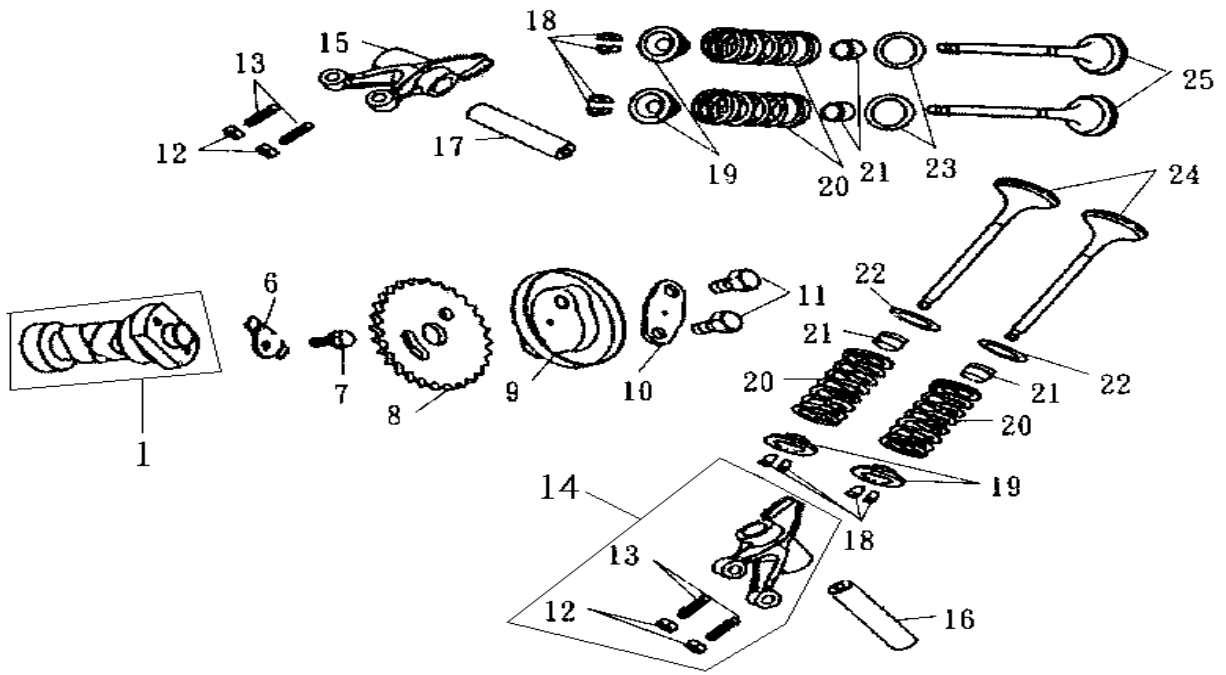




MODEL(S) <i>HF15W-6</i>	CHANGE DATE	A P P L Y	Q T Y R E Q	
BLOCK NO .A-2  PARTS NUMBER				DESCRIPTION
1. 14100-H7A-000			1	Cam shaft comp
6. 14457-H7A-000			1	Cam shaft setting plate
7. 96001-06010-000			1	SH. Flange bolt 6x10
8. 14105-A31-000			1	Cam sprocket
9. 14108-M36-000			1	Centrifugal disk
10. 14105-X01-000			1	Cam sprocket washer
11. 90083-X01-000			2	Lock nut 6mm
12. 90206-M9Q-000			4	Tappet adj. Screw nut
13. 90012-M9Q-000			4	Tappet adj. Screw
14. 14441-H7A-000-F2			1	EXH. Valve rocker arm
15. 14431-H7A-000-F2			1	IN. Valve rocker arm
16. 14452-H6B-000			1	EXH. Valve rocker arm shaft
17. 14451-H6B-000			1	IN. Valve rocker arm shaft
18. 14781-M9Q-000-A			2	Valve cotter
19. 14771-H6B-000			4	Valve spring retainer
20. 14751-H6B-000			4	Valve spring
21. 12209-MA6-003			4	Valve stem seal



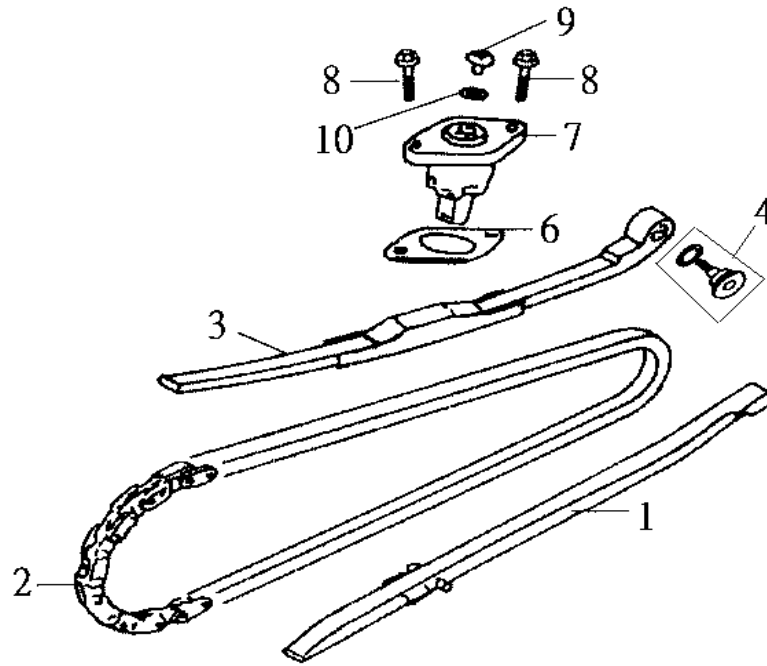
**E04-1 CAM SHAFT .VALVE**



MODEL(S) <i>HF15W-6</i>		A P P L Y	Q T Y R E Q	
BLOCK NO .A-1  PARTS NUMBER	CHANGE DATE			DESCRIPTION
22. 12203-H6B-300			2	EXH. Valve seat
23. 12202-H6B-300			2	IN. valve seat
24. 14721-H6B-000			2	EXH. Valve
25. 14711-H6B-000			2	IN. valve



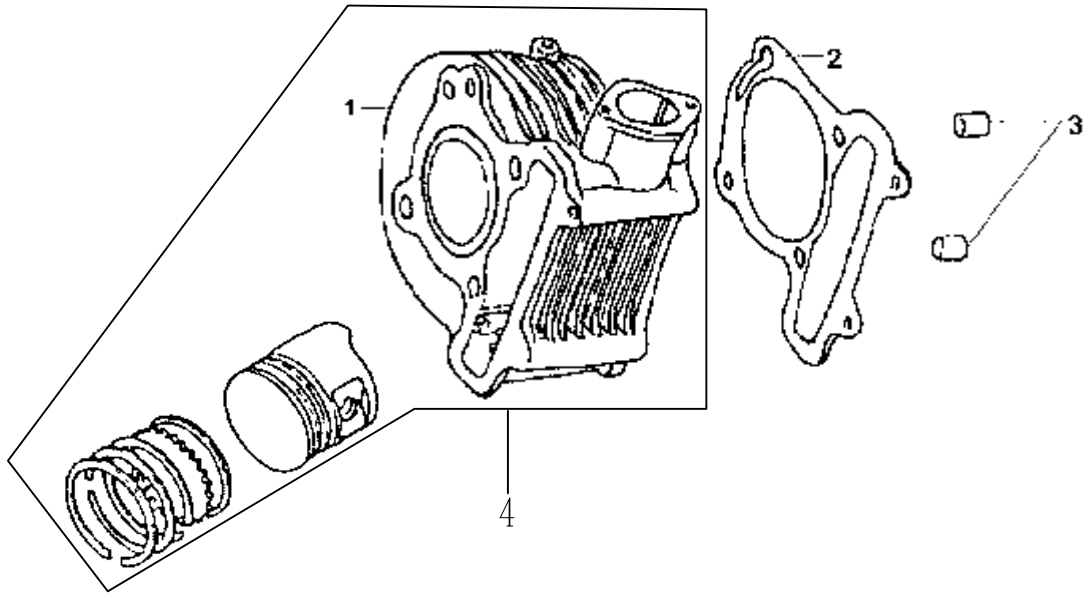
TEAMWORLD IND. 2003



MODEL(S) <i>HF15W-6</i>		A P P L Y	Q T Y R E Q	
BLOCK NO .A-1  PARTS NUMBER	CHANGE DATE			DESCRIPTION
1. 14610-M92-000			1	Cam chain guide comp
2. 1C14401-M92-000			1	Cam chain
3. 14510-M92-000			1	Cam chain tensioner
4. 1453A-M92-000			1	Cam chain tensioner pivot
6. 14523-M9Q-000			1	Tensioner lifter gasket
7. 14520-M9Q-000			1	Tensioner lifter assy
8. 90001-M9Q-000			2	SH. Flange bolt 6x22
9. 90005-M9Q-000			1	Pan screw 6x6
10. 91306-M9Q-000			1	O-Ring 9.5x1.5



**E06 CYLINDER**

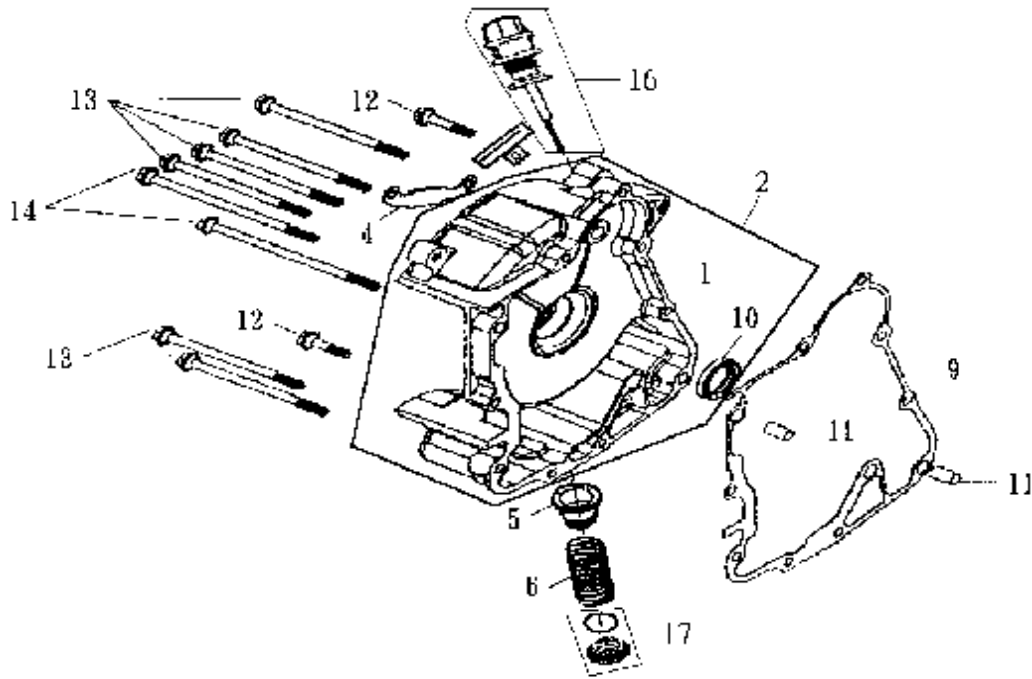


MODEL(S) <i>HF15W-6</i>	CHANGE DATE	A P P L Y	Q T Y R E Q	
BLOCK NO .A-1  PARTS NUMBER				DESCRIPTION
1. 12101-H7C-000			1	Cylinder
2. 12191-H6B-000			1	Cylinder gasket
3. 94301-10200			2	Dowel pin 10x20
4. 12100-H7C-000-A			1	Cylinder assy



TEAMWORLD IND. 2003

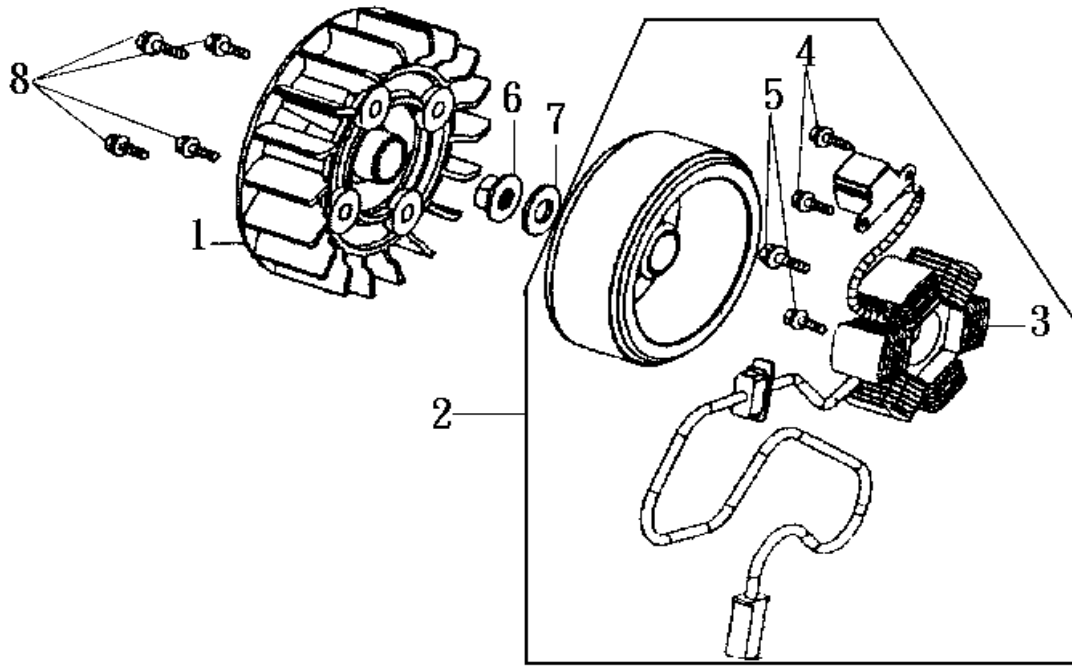




MODEL(S) <i>HF15W-6</i>		A P P L Y	Q T Y R E Q	
BLOCK NO .A-1  PARTS NUMBER	CHANGE DATE			DESCRIPTION
1. 11331-H6B-000-SN			1	R. crank case cover
2. 1133A-H3A-000-SN			1	R. crank case cover assy
4. 32961-M92-000			1	ACG. Cord clamer
5. 15421-M9Q-000			1	Oil filter screen
6. 15426-M9Q-000			1	Oil filter screen spring
9. 11394-H6B-000			1	R. cover gasket
10. 91201-GY6-903-M2			1	Oil seal 19.8x30.5
11. 94301-08140			2	Dowel pin 8x14
12. 96001-06030-08			2	SH. Flange bolt 6x30
13. 96001-06095-08			6	SH. Flange bolt 6x95
14. 96001-06100-08			2	SH. Flange bolt 6x100
16. 1565A-M92-000			1	Oil level gauge
17. 1236A-V02-000			1	Tappet adj hole cap assy

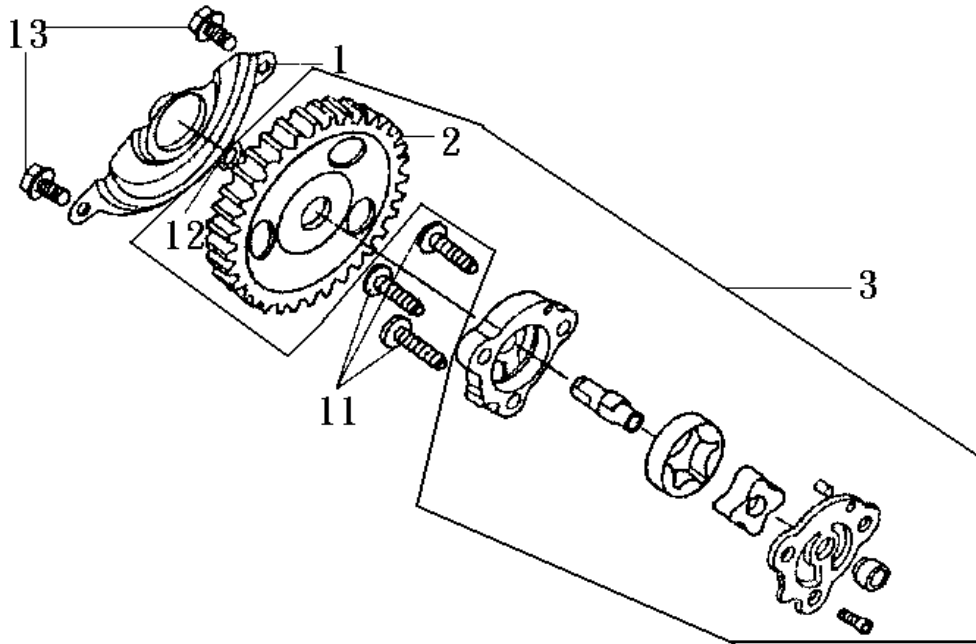


**E08 AC. GENERATOR**



MODEL(S) <i>HF15W-6</i>	CHANGE DATE	A P P L Y	Q T Y R E Q	DESCRIPTION
BLOCK NO .A-1  <b>PARTS NUMBER</b>				
1. 19510-M92-000			1	Cooling fan comp
2. 31100-H3A-010			1	Fly wheel assy
3. 31120-H3A-010			1	Stator comp
4. 92101-05012-0A			2	Hex. Bolt 5x12
5. 96001-06018-08			2	SH. Flange bolt 6x18
6. 94050-12000			1	Flange nut 12mm
7. 90440-M9Q-000			1	Plain washer 12mm
8. 95701-06018-08			4	Flange bolt 6x18

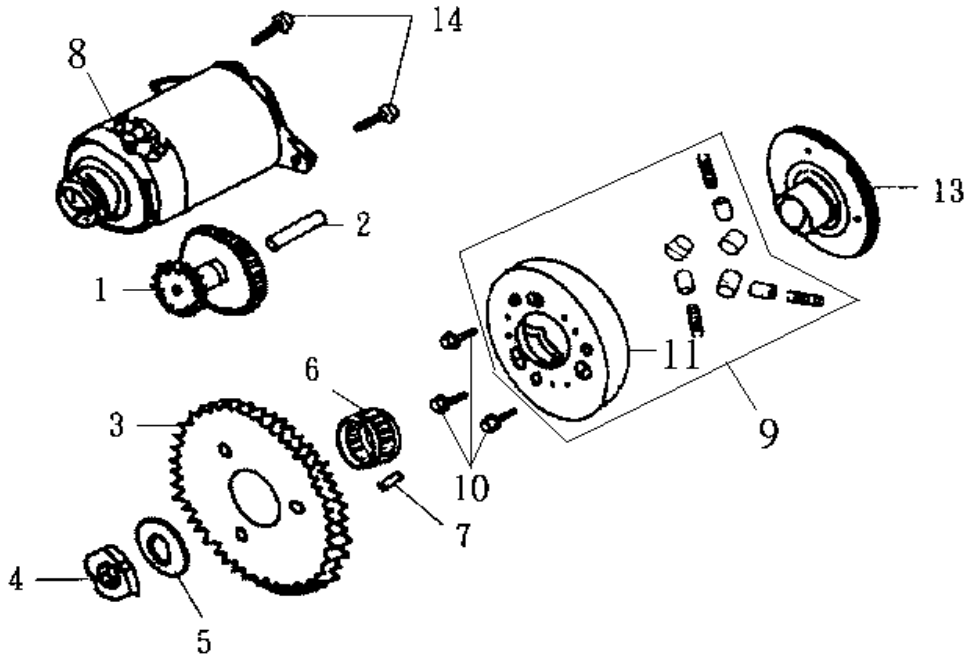




MODEL(S) <i>HF15W-6</i>	BLOCK NO .A-1	A P P L Y	Q T Y R E Q	
PARTS NUMBER	CHANGE DATE			DESCRIPTION
1. 15711-M92-000			1	Oil pump separator
2. 15133-M92-000			1	Oil pump driven gear
3. 15100-H7A-000			1	Oil pump assy
11. 93600-06025-0A			3	Flange bolt 6x25
12. 90602-N01-000			1	C clip 8mm
13. 96001-06012-08			2	SH. Flange bolt 6x12



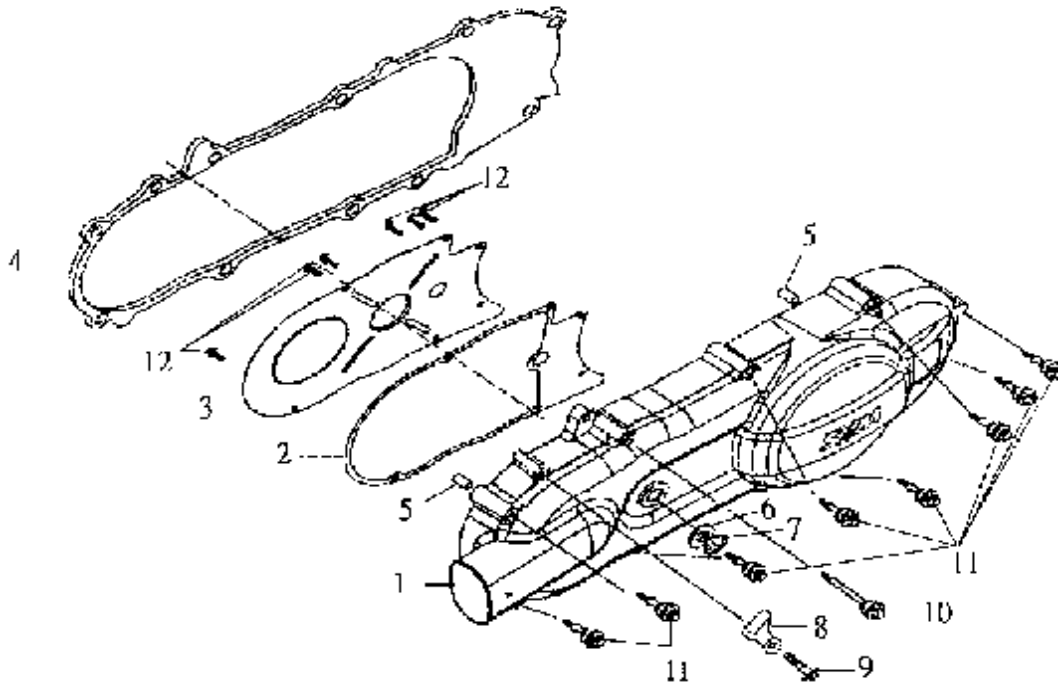
# E10 STARTING MOTOR



MODEL(S)		A	Q	
<i>HF15W-6</i>		P	T	
BLOCK NO .A-1	CHANGE	L	R	
	DATE	Y	E	
PARTS NUMBER			Q	DESCRIPTION
1. 28101-M9Q-000			1	Starter reduction gear
2. 28102-M9Q-000			1	Starter reduction gear shaft
3. 28110-M9Q-000			1	Starting clutch gear comp
4. 90201-M9Q-000			1	Lock nut 22mm
5. 90403-M92-000			1	Thrust washer 22.2x31x1.5
6. 91104-M9Q-000			1	Needle bearing 28x32x17
7. 90701-M9Q-000			1	Dowel pin 5x6
8. 31200-M92-100			1	Starting motor
9. 2812A-M92-000			1	Start clutch outer assy
10. 90002-M9Q-000			3	Socket bolt 6x10
11. 28120-M9Q-000			1	Starting clutch outer comp
13. 28125-M92-000			1	Starting clutch flange bolt
14. 96001-06016-08			2	SH. Flange bolt 6x16



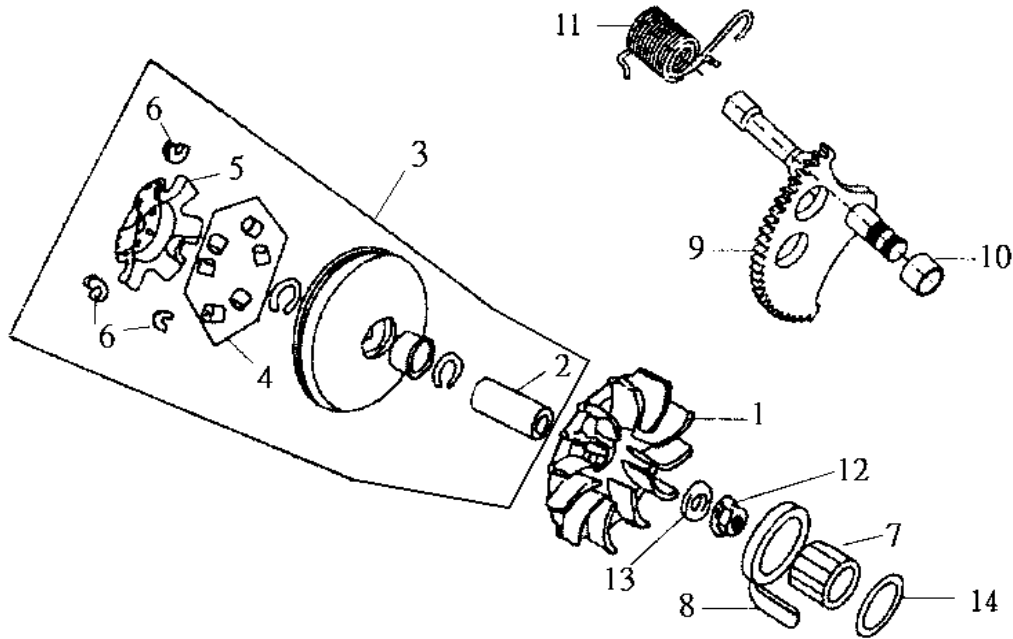
TEAMWORLD IND. 2003



MODEL(S) <b>HF15W-6</b>		A	Q	
BLOCK NO .A-1	CHANGE DATE	P	T	
PARTS NUMBER		L	R	DESCRIPTION
1. 11341-H3A-000			1	L. crank case cover
2. 11343-M92-000			1	L. cover plate gasket
3. 11342-M92-000			1	L. cover plate
4. 11395-H3A-000			1	L. cover gasket
5. 94301-10140			2	Dowel pin 10x14
6. 90451-M9Q-000			1	Kick spindle washer
7. 94511-14000			1	EX. Circle clip 14mm
8. 11382-M92-000			1	Brake cable clamp
9. 96001-06012-08			1	SH. Flange bolt 6x12
10. 9000A-M9Q-000			1	Special bolt 6x57
11. 9000B-M9Q-000			8	Special bolt 6x37
12. 93500-05012-0H			6	Pan screw 5x12

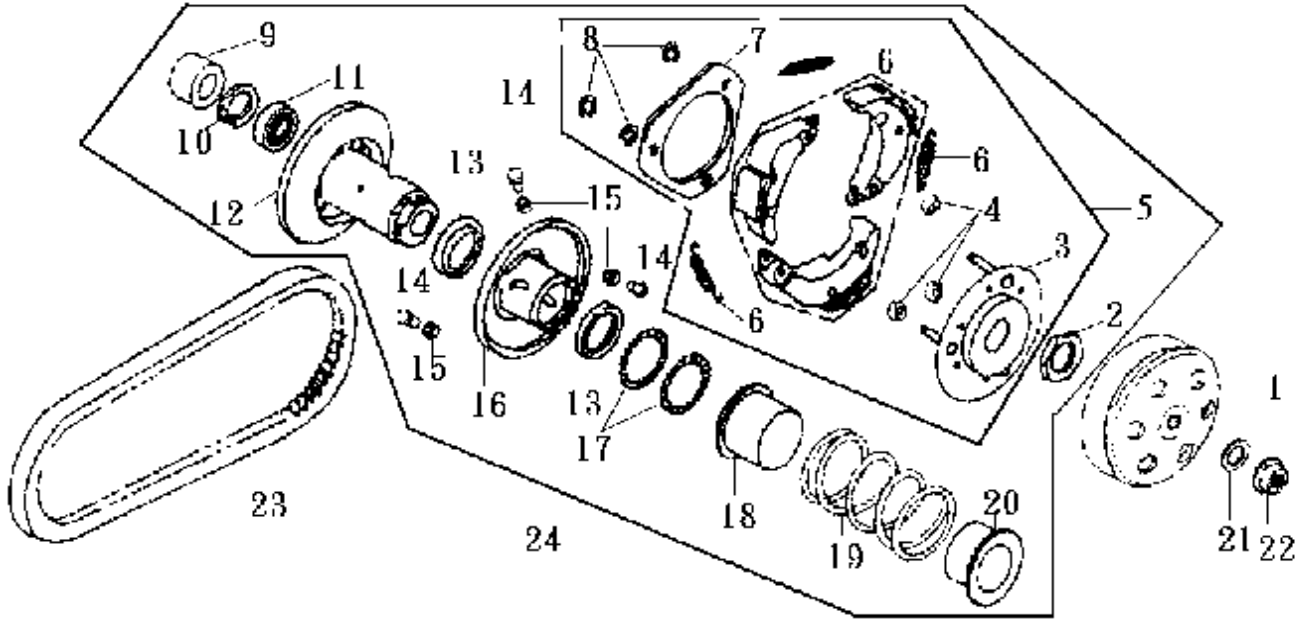


**E-12 DRIVE FACE**



MODEL(S) <i>HF15W-6</i>		A P P L Y	Q T Y R E Q	
BLOCK NO .A-1	CHANGE DATE			DESCRIPTION
PARTS NUMBER				
1. 22102-M92-000			1	Drive face comp
2. 22105-M92-000			1	Drive face boss
3. 2211A-M92-000			1	Movable drive face comp
4. 22121-M92-000-A			6	Weight roller set
5. 22131-M92-000			1	Ramp plate
6. 22132-M92-000-A			3	Slide piece set
7. 28230-M92-000			1	Kick driven gear comp
8. 28233-M92-000			1	Kick starter friction spring
9. 28250-H3A-000			1	Kick starter spindle comp
10. 28254-M92-000			1	Kick spindle bush
11. 28281-M92-000			1	Kick return spring
12. 90203-M9Q-000			1	C flange nut 12mm
13. 90440-M9Q-000			1	Plain washer 12mm
14. 90452-M9Q-000			1	Thrust washer 12mm

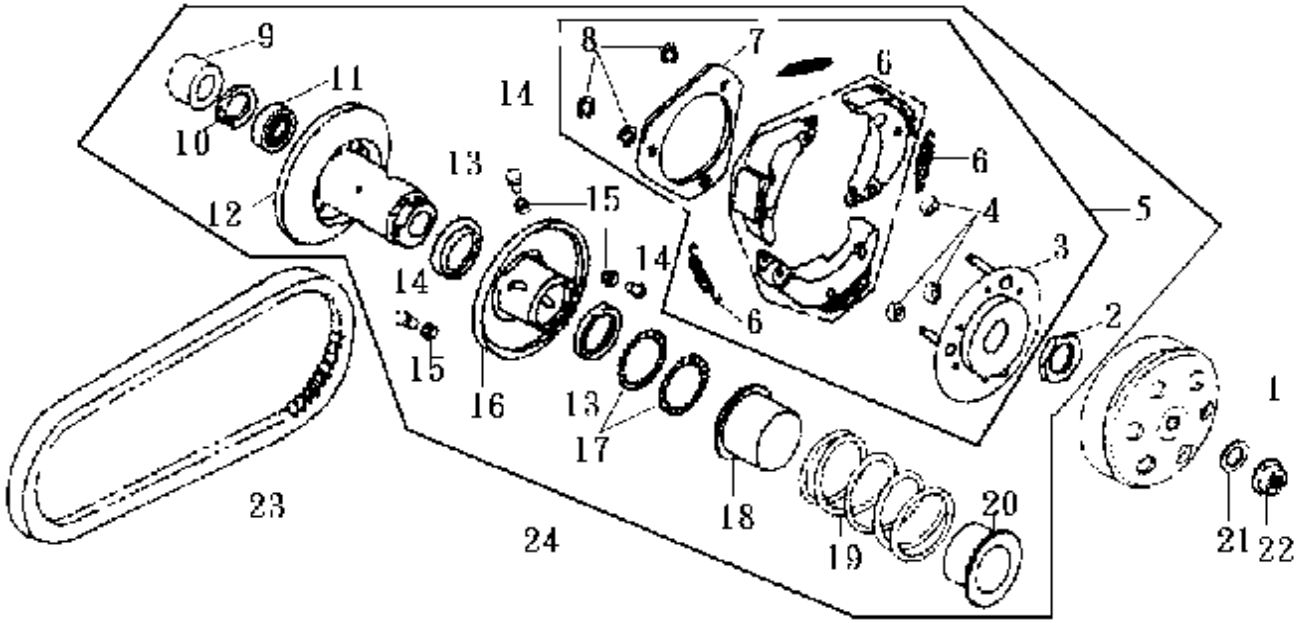




MODEL(S)	CHANGE DATE	A P P L Y	Q T Y R E Q	DESCRIPTION
BLOCK NO .A-1				
PARTS NUMBER				
1. 22101-M9Q-000			1	Clutch outer
2. 90202-M9Q-000			1	Special nut 28mm
3. 22350-M9Q-000			1	Drive plate comp
4. 22804-M9Q-000			3	Clutch damper rubber
<b>5. 22300-H6T-000</b>			3	Clutch weight set
<b>6. 22401-H6T-000</b>			3	Clutch spring
7. 22361-M9Q-000			1	Clutch side plate
8. 90605-M9Q-000			3	Circle clip 7mm
9. 91001-M9Q-300			1	Needle bearing 20x29x18
10. 94520-28000			1	IN circle 28mm
11. 91002-M9Q-300			1	Radial ball bearing 6902U
12. 23210-M92-000			1	Driven face comp
<b>13. 91211-M8Q-000</b>			2	Driven face seal 34x41x4
14. 23225-M9Q-000			3	Roller guide pin
15. 23226-M9Q-000			3	Guide roller
16. 23220-H7A-000			1	Movable driven face comp
17. 91384-M9Q-000			2	O-ring 38.8x1.9
18. 23237-H7C-000			1	Seal collar
19. 23233-H7A-000			1	Driven face spring
20. 23238-M9Q-000			1	Spring collar
21. 90440-M9Q-000			1	Plain washer 12mm



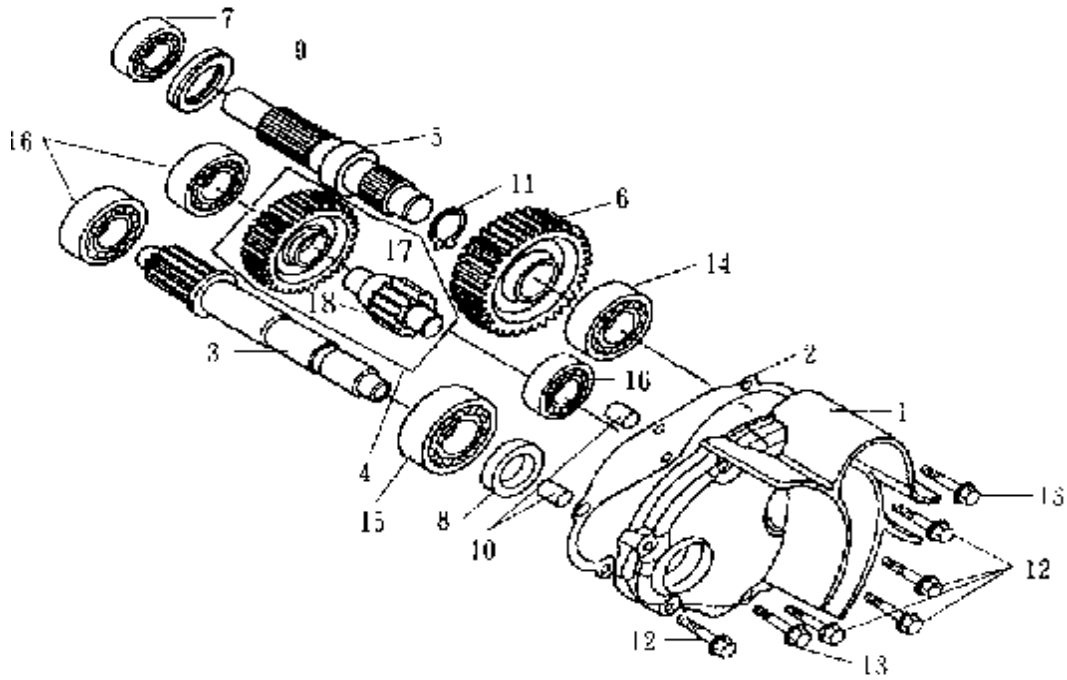
**E-13-1 DRIVEN PULLEY**



MODEL(S) <i>HF15W-6</i>		A P P L Y	Q T Y R E Q	
BLOCK NO .A-1  PARTS NUMBER	CHANGE DATE			DESCRIPTION
22. 90203-M9Q-000 23. 1B01H3A01 24. 23010-H5K-000			1 1 1	C flange nut 12mm Drive belt Driven pulley assy



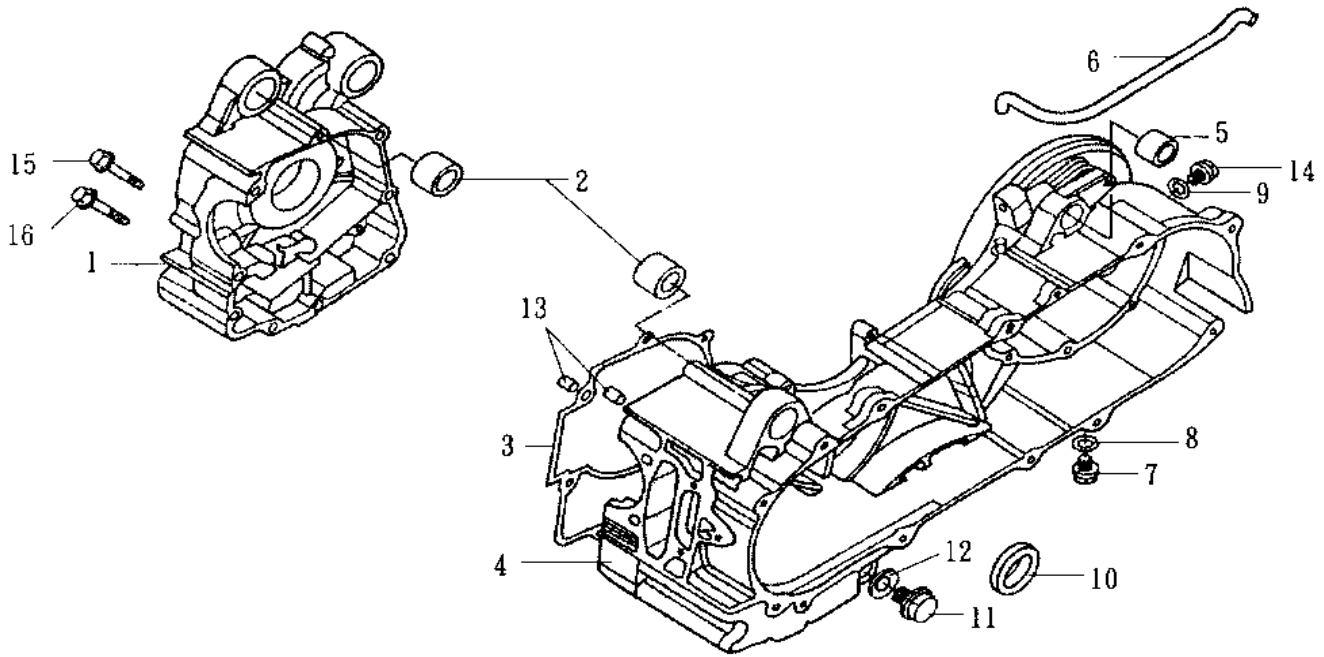




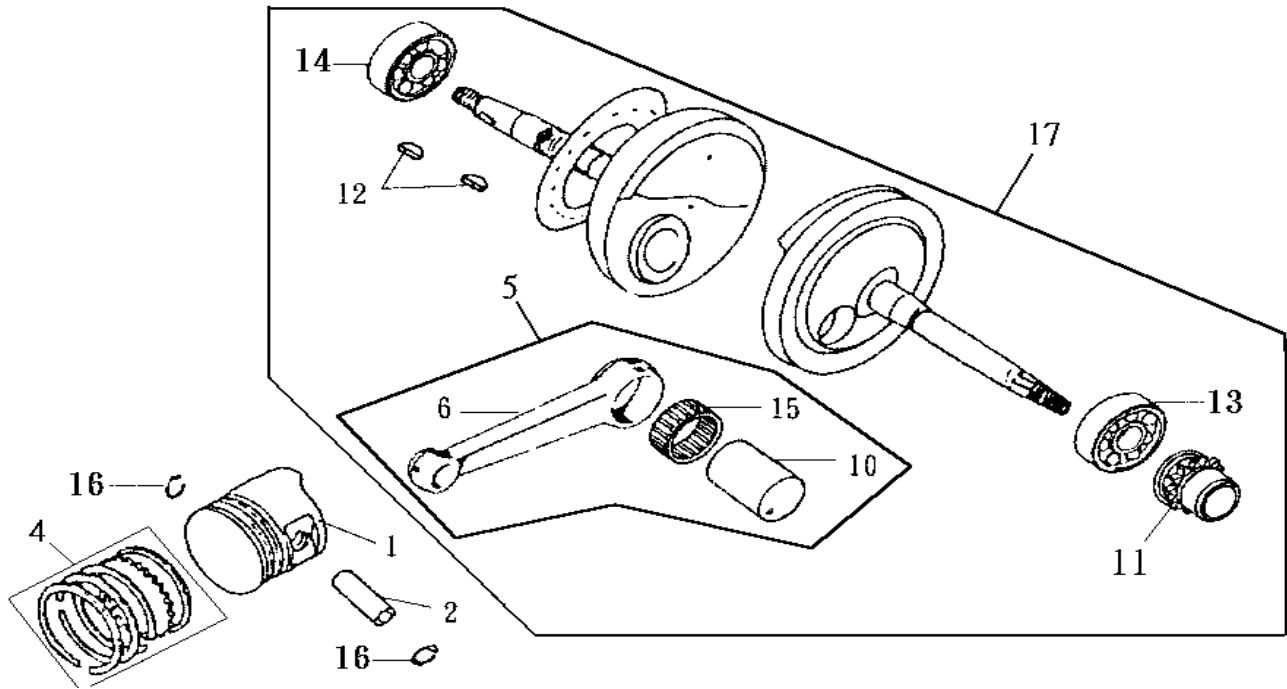
MODEL(S) <i>HF15W-6</i>		A P P L Y	Q T Y R E Q	
BLOCK NO .A-1  PARTS NUMBER	CHANGE DATE			DESCRIPTION
1. 21301-M92-000			1	Mission cover
2. 21395-H3A-000			1	Mission cover gasket
3. 23411-M92-000			1	Drive shaft
4. 23420-M92-000			1	Counter shaft comp
5. 23431-H3A-000			1	Final shaft
6. 23432-M92-000			1	Final gear
7. 96150-60043-10			1	Radial ball bearing 6004U
8. 91202-M9Q-300			1	Oil seal 20x32x6
9. 91255-M9Q-300			1	Oil seal 27x42x7
10. 94301-08140			2	Dowel pin 8x14
11. 94510-20000			1	EX. Circle clip 20mm
12. 96001-06025-08			5	SH. Flange bolt 6x25
13. 96001-06032-08			2	SH. Flange bolt 6x32
14. 96100-62033-00			1	Radial ball bearing 6203C3
15. 96100-62043-00			1	Radial ball bearing 6204C3
16. 96100-63013-00			3	Radial ball bearing 6301C3
17. 23422-M92-300			1	Counter gear
18. 23421-M92-300			1	Count shaft



**E-15 CRANK CASE**



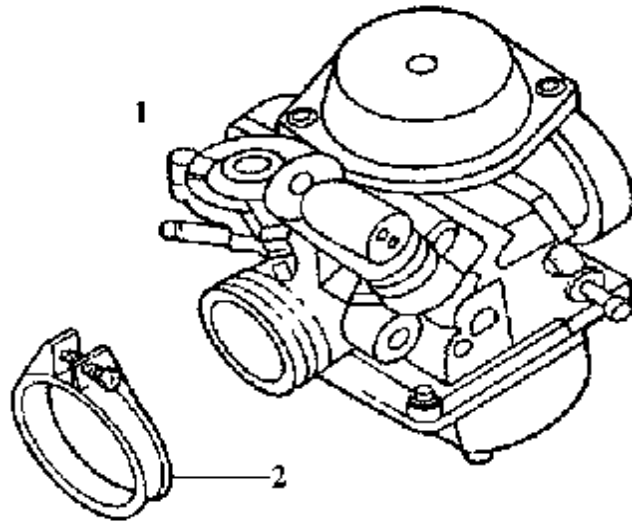
MODEL(S)	CHANGE DATE	A P P L Y	Q T Y R E Q	DESCRIPTION
HF15W-6				
BLOCK NO .A-1				
PARTS NUMBER				
1. 11100-H3A-000-SN			1	R. crank case comp
2. 11102-H6B-300			2	Engine hanger rubber bush
3. 11192-H6B-000			1	Crank case gasket
<b>4. 11200-H3A-000-SN</b>			1	L. crank case comp
5. 11203-M9Q-300			1	RR. Cush under rubber bush
6. 11221-H3A-000			1	Mission breather tube
7. 90103-M9Q-000			1	Special bolt 8mm
8. 90474-M9Q-000			1	Washer 8mm
9. 90481-M9Q-000			1	Plain washer 10.2mm
10. 91202-G03-010			1	Oil seal 25x37x6
11. 92800-12000			1	Drain plug bolt 12mm
12. 94109-12000			1	Drain plug washer 12mm
13. 94301-08140			2	Dowel pin 8x14
14. 95701-10012-08			1	Flange bolt 10x12
15. 96001-06045-08			1	SH. Flange bolt 6x45
16. 96001-06055-08			1	SH. Flange bolt 6x55



MODEL(S) <i>HF15W-6</i>	CHANGE DATE	A P P L Y	Q T Y R E Q	
BLOCK NO .A-1  PARTS NUMBER				DESCRIPTION
1. 13101-H7C-000			1	Piston
2. 13111-KJ9-000			1	Piston pin
4. 13010-H7C-000			1	Piston-ring set
5. 1320A-H7A-000			1	Connecting rod set
6. 13201-H7A-000			1	Connecting rod
10. 13381-M92-300			1	Crank pin
11. 14311-M92-300			1	Timing sprocket
12. 90702-M9Q-000			2	Wood ruffkey 25x14x4
13. 91001-X06-911-M1			1	Radial ball bearing 6305
14. 91001-H6B-300			1	Radial ball bearing TMB3/22
15. 91101-M9Q-000			1	Connecting rod bearing
16. 94601-15000			2	Piston pin clip 15mm
17. 13000-H7C-020			1	Crank shaft comp



**E17 CARBURETOR**



MODEL(S) <i>HF15W-6</i>	CHANGE DATE	A P P L Y	Q T Y R E Q	DESCRIPTION
BLOCK NO .A-1  PARTS NUMBER				
1. 16100-H5A-000-01 2. 17256-M9Q-000			1 1	Carburetor comp Insulator band

