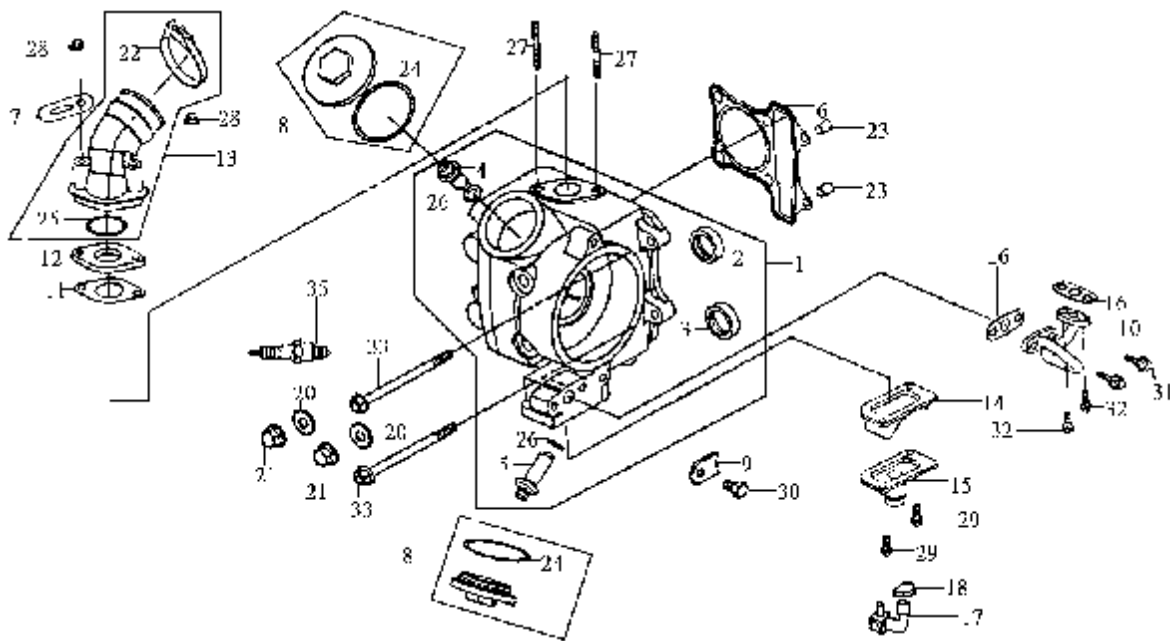
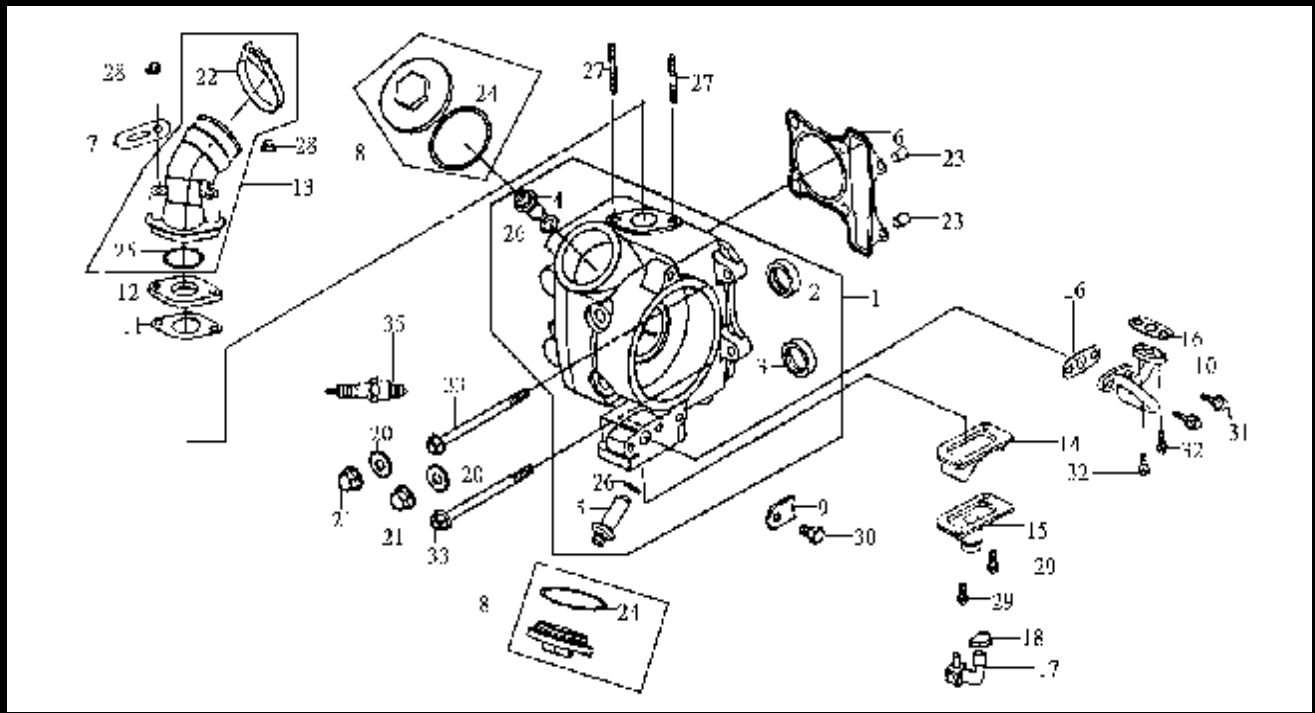


MODEL(S) HA10W-6(Cinderella 100)		A P P L Y	Q T Y R E Q	
BLOCK NO. .A-1	CHANGE DATE			DESCRIPTION
PARTS NUMBER				
1. 19610-A31-000			1	Fan cover comp
2. 19613-GY6-900			1	Stator motor cord clasper
3. 1962A-A31-000			1	Shroud A
5. 1963A-A31-000			1	Shroud B ass'y
7. 93903-35380			8	Tapping screw 5x16
8. 50130-X04-000			1	Clip 2x7
9. 96001-06020-00			1	Flange SH bolt 6x20
10. 96001-06025-00			2	SH flange bolt 6x25

## E-02 Cylinder head



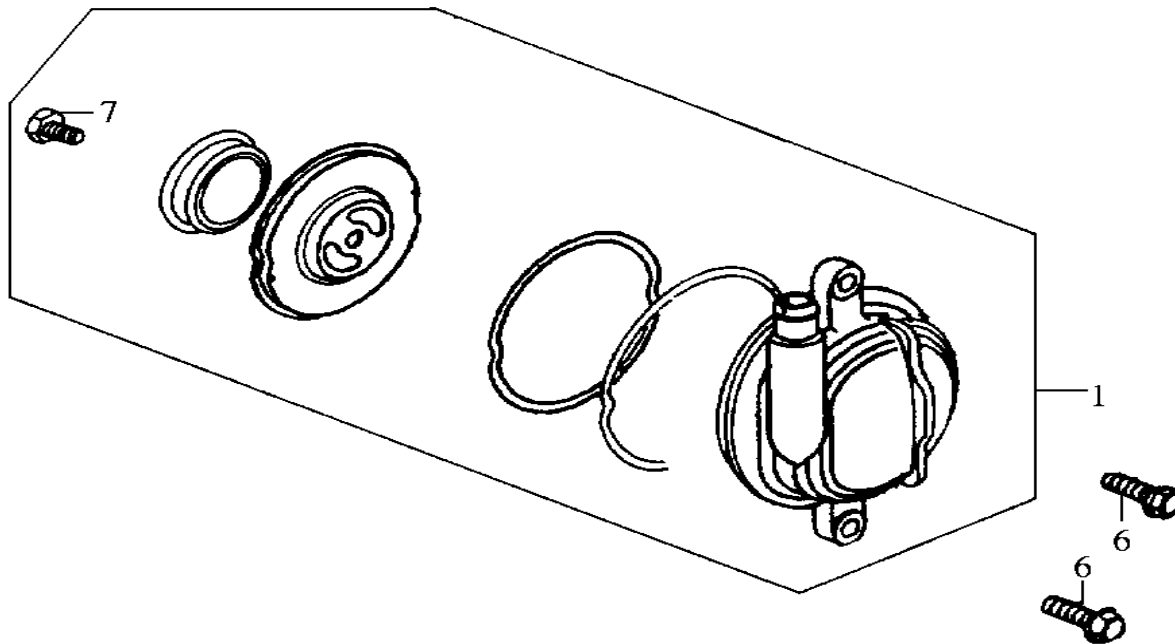
MODEL(S)	CHANGE DATE	A P P L Y	Q T Y R E Q	DESCRIPTION
HA10W-6(Cinderella 100)				
BLOCK NO. .A-1				
PARTS NUMBER				
1. 12200-M83-000			1	Cylinder head comp
2. 12225-A31-300			1	IN. valve seat
3. 12226-A11-010			1	EX. valve seat
4. 12237-M8Q-300			1	IN. valve guide
5. 12245-M8Q-300			1	EX. valve guide
6. 12251-A31-000			1	Cylinder head gasket
7. 12342-X01-000			1	Clamp
8. 1236A-A31-000			2	Tappet adjusting hole cap ass'y
9. 14457-A31-000			1	Cam shaft setting plate
10. 15514-A31-000			1	Air pipe comp
11. 16201-A31-000			1	Carb. Insulator gasket
12. 16211-A31-000			1	Carb. Insulator
13. 1711A-A31-000			1	Inlet pipe ass'y
14. 18601-MJ1-790-E1			1	Reed valve comp
15. 18612-A31-000			1	Reed valve cover
16. 18654-N14-000			2	Air pipe gasket
17. 18660-A31-000			1	Joint AIAC tube ass'y
18. 19505-KS6-700			1	Water hose clamp A
19. 90033-041-020			2	Stud bolt 6x32
20. 90442-028-000			4	Sealing washer 8mm
21. 90443-M36-000			4	Cap nut 8mm



MODEL(S)	CHANGE DATE	APPLY	QTY	DESCRIPTION
HA10W-6(Cinderella 100)				
BLOCK NO. .A-1				
PARTS NUMBER	CHANGE DATE	APPLY	QTY	DESCRIPTION
23. 90703-HC4-000			2	Dowel pin 10x14
24. 91303-A31-000			2	O-ring 41x2.6
25. 91304-GW3-003			1	O-ring 23x1.9
26. 91305-M9Q-000			2	O-ring 9x1.6
27. 92900-06050-0E			2	Stud bolt 6x50
28. 94050-06000			2	Flange nut 6mm
29. 96001-06010-00			1	SH flange bolt 6x10
30. 96001-06010-08			2	Flange bolt SH 6x10
31. 96001-06012-00			1	SH flange bolt 6x12
32. 96001-06016-00			2	SH flange bolt 6x16
33. 96001-06090-00			4	SH flange bolt 6x90
34. 96205-06007-M1			2	Cone type plug 6x7
35. 1PCR6HSA-3			1	Spark plug(CR6HSA)

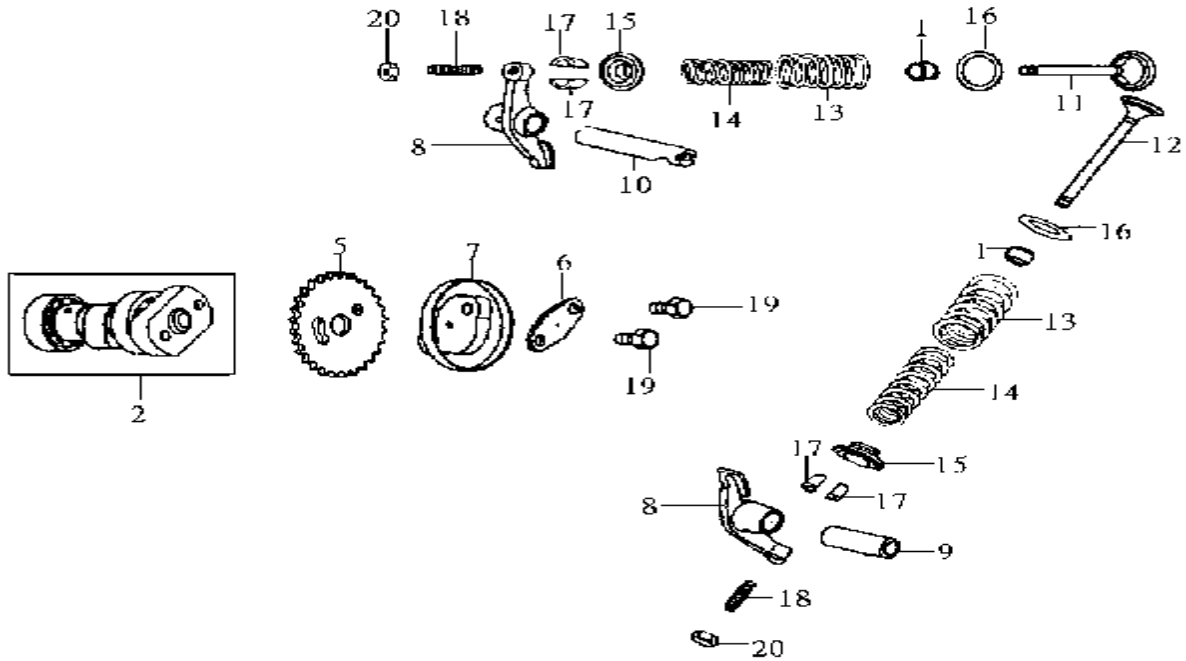


E-03 Clinder head L side cover



MODEL(S) HA10W-6(Cinderella 100)		A P P L Y	Q T Y R E Q	
BLOCK NO. .A-1  PARTS NUMBER	CHANGE DATE			DESCRIPTION
1. 12300-A31-000			1	Cylinder head L side cover ass'y
6. 95801-06020-00			2	Flange bolt 6x20
7. 96001-06012-00			1	SH flange bolt 6x12

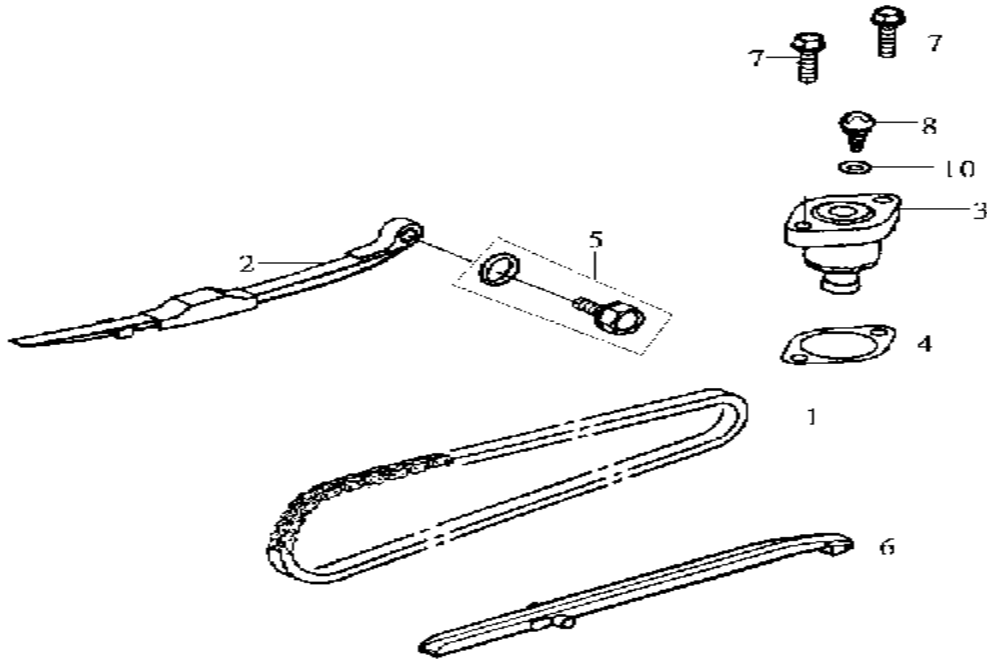




MODEL(S)		A	Q	
HA10W-6(Cinderella 100)		P	T	
BLOCK NO. .A-1	CHANGE	L	R	
	DATE	Y	E	
PARTS NUMBER			Q	DESCRIPTION
1. 12209-MA6-003			2	Valve stem seal
2. 14100-A31-000			1	Cam shaft
4. 14102-A31-300			1	Cam shaft flange
5. 14105-A31-000			1	Cam sprocket
6. 14105-X01-000			1	Cam sprocket washer
7. 14108-M36-000			1	Centrifugal disk
8. 14431-GY6-900-F2			2	Valve rocker arm
9. 14451-035-000			1	Valve rocker arm shaft
10. 14451-M36-000			1	IN. valve rocker arm shaft
11. 14711-A31-000			1	Inlet valve
12. 14721-A31-000			1	Exhaust valve
13. 1475A-M8Q-000			2	Valve outer spring
15. 14771-GB4-680-E1			2	Valve spring retainer
16. 14775-MA6-000			2	Valve spring outer seat
<b>17. 14781-M9Q-000-A</b>			1	Valve cotter
18. 90012-333-000			2	Tappet adjusting screw
19. 90083-X01-000			2	Lock bolt 6mm
20. 90206-001-000			2	Tappet adjusting nut
21. 96100-60033-00			1	Radial ball bearing 6003
22. 96120-60013-00			1	Radial ball bearing 6001Z



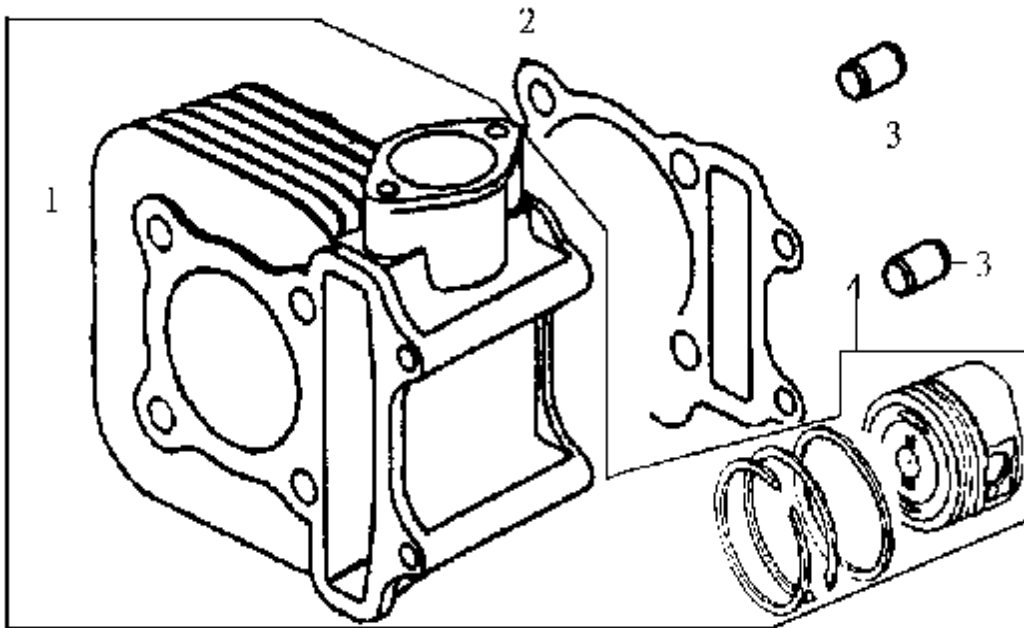
E-05 Cam chain.Tensioner



MODEL(S)	CHANGE DATE	A P P L Y	Q T Y R E Q	DESCRIPTION
BLOCK NO. .A-1				
PARTS NUMBER				
1. 1C14401-A31-000			1	Cam chain
2. 14510-A31-000			1	Cam chain tensioner
3. 14520-GY6-901-M1			1	Tensioner lifter ass'y
4. 14523-GY6-900			1	Tensioner lifter gasket
5. 1453A-V02-000			1	Cam chain tensioner pivot
6. 14610-A31-000			1	Cam chain guide comp
7. 90001-GHB-660			2	Flange SH. Bolt 6x22
8. 90005-KW1-900			1	Pan screw 6x6
10. 91306-105-690			1	O-ring 9.5x1.5



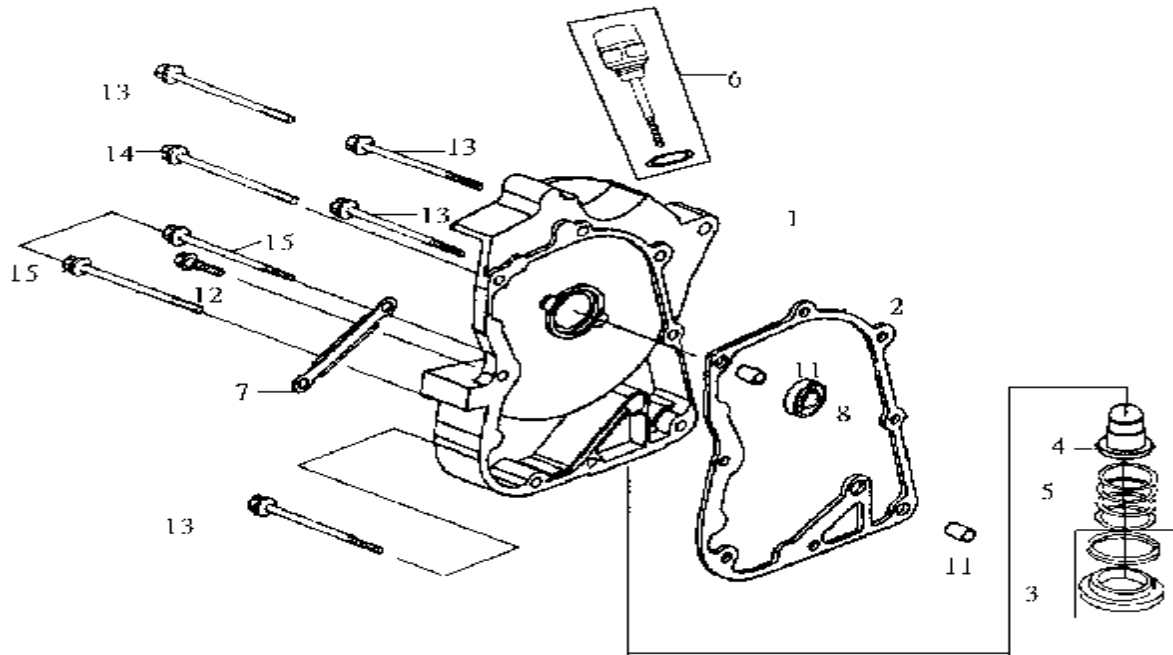
TEAMWORLD IND. 2000



MODEL(S) HA10W-6(Cinderella 100)		A P P L Y	Q T Y R E Q	
BLOCK NO. .A-1  PARTS NUMBER	CHANGE DATE			DESCRIPTION
1. 12100-A31-000 2. 12191-A31-000 3. 90703-HC4-000 4. 12100-A31-000-A			1 1 2 1	Cylinder comp Cylinder gasket Dowel pin 10x14 Cylinder ass'y

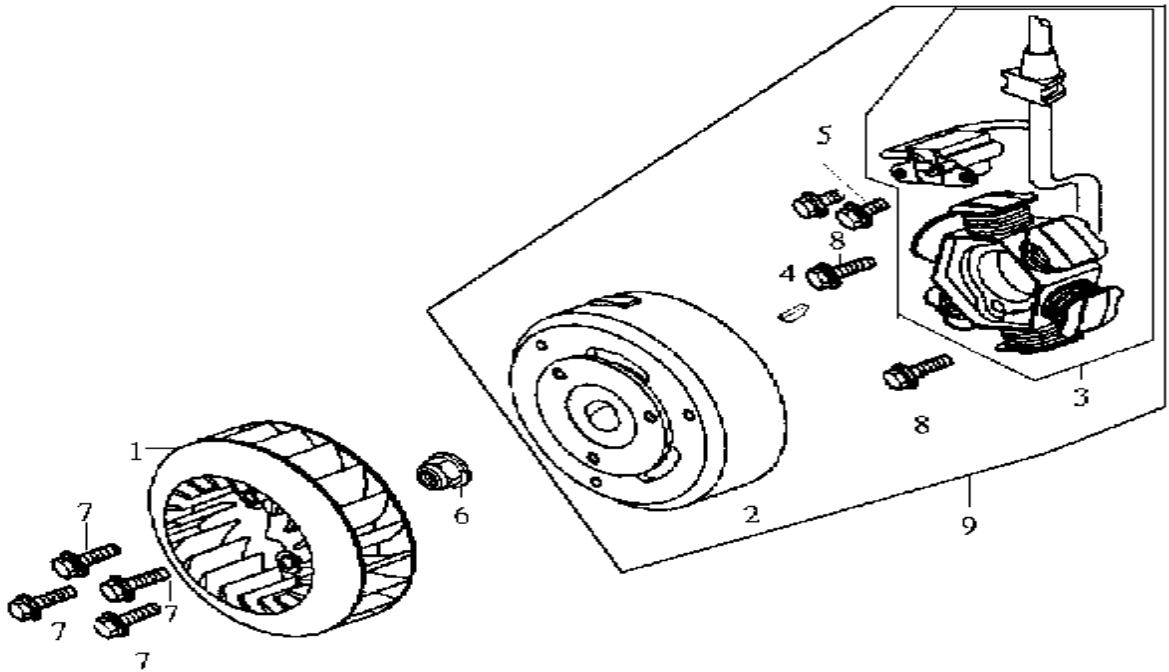


E-07 Right crankcase cover



MODEL(S) HA10W-6(Cinderella 100)		A	Q	
BLOCK NO. .A-3  PARTS NUMBER	CHANGE DATE	P	T	DESCRIPTION
		L	R	
		Y	E	
		Q	Q	
1. 11331-A31-010			1	R. crank case cover
<b>11331-A31-020</b>	Feb./20.2002			
2. 11394-A31-010			1	R. cover gasket
<b>11394-A31-020</b>	Feb./20.2002			
3. 1236A-V02-000			1	Tap. adjusting hole cap ass'y
4. 15421-107-000			1	Oil filter screen
5. 15426-GE1-920			1	Oil filter spring
6. 1565A-A31-000			1	Oil level guage ass'y
7. 32961-A31-000			1	A.C.G. cord clasper
8. 91201-GY6-903-M2			1	Oil seal 19.8x30x5
91201-A31-000	Sep./19.2001	N	1	Oil seal 17*30*5
11. 94301-08140			2	Dowel pin 8x14
12. 96001-06025-00			1	SH. Flange bolt 6x25
13. 96001-06090-00			4	Flange SH bolt 6x90
14. 96001-06095-00			1	Flange SH bolt 6x95
15. 96001-06100-00			2	Flange SH bolt 6x100

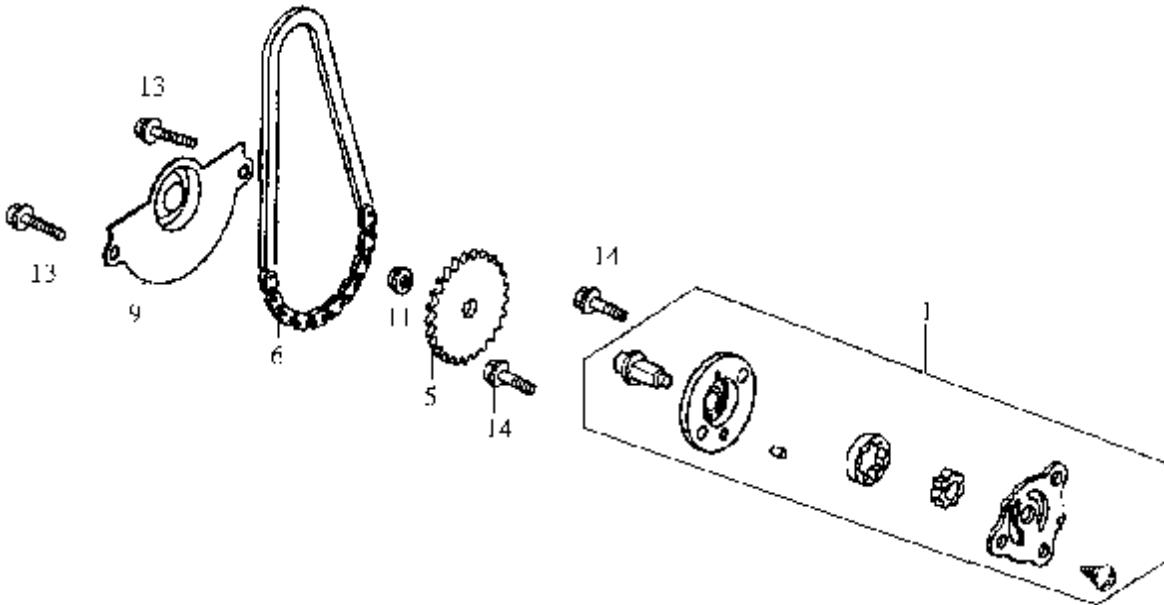




MODEL(S) HA10W-6(Cinderella 100)		A P P L Y	Q T Y R E Q	
BLOCK NO. .A-1  PARTS NUMBER	CHANGE DATE			DESCRIPTION
1. 19510-GW2-900 2. 31110-A31-000 3. 31120-A31-000-609 4. 90741-035-000 5. 92101-05010-0H 6. 94050-10000 7. 95701-06016-00 8. 96001-06020-00 9. 31100-A31-000			1 1 1 1 2 1 4 2 1	Cooling fan comp Flywheel comp Stator comp Woodruff key Hex bolt 5x10 Flange nut 10mm Flange bolt 6x16 Flange SH bolt 6x18 A.C.G. ass'y

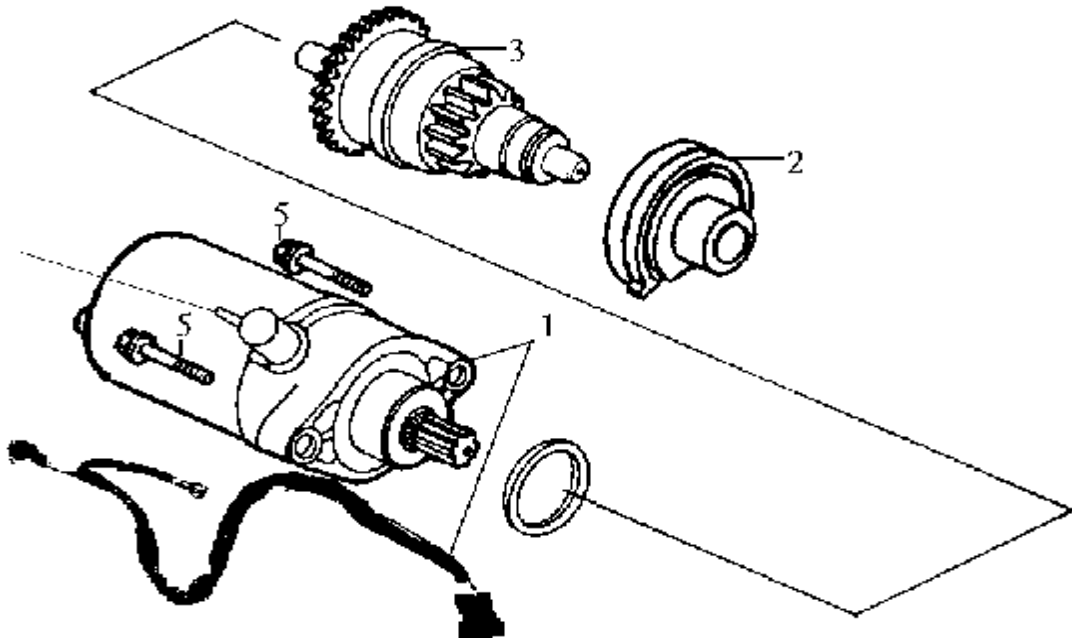


E-09 Oil pump



MODEL(S) HA10W-6(Cinderella 100)		A P P L Y	Q T Y R E Q	
BLOCK NO. .A-1  PARTS NUMBER	CHANGE DATE			DESCRIPTION
1. 15100-GY6-900			1	Oil pump ass'y
5. 15133-GY6-900			1	Oil pump driven sproket
6. 1C15141-V02-000-M1			1	Oil pump chain
9. 15711-GY6-900			1	Oil separater
11. 94050-06000			1	Flange nut 6mm
13. 96001-06012-00			2	Flange SH bolt 6x12
14. 96001-06025-00			2	Flange SH bolt 6x25

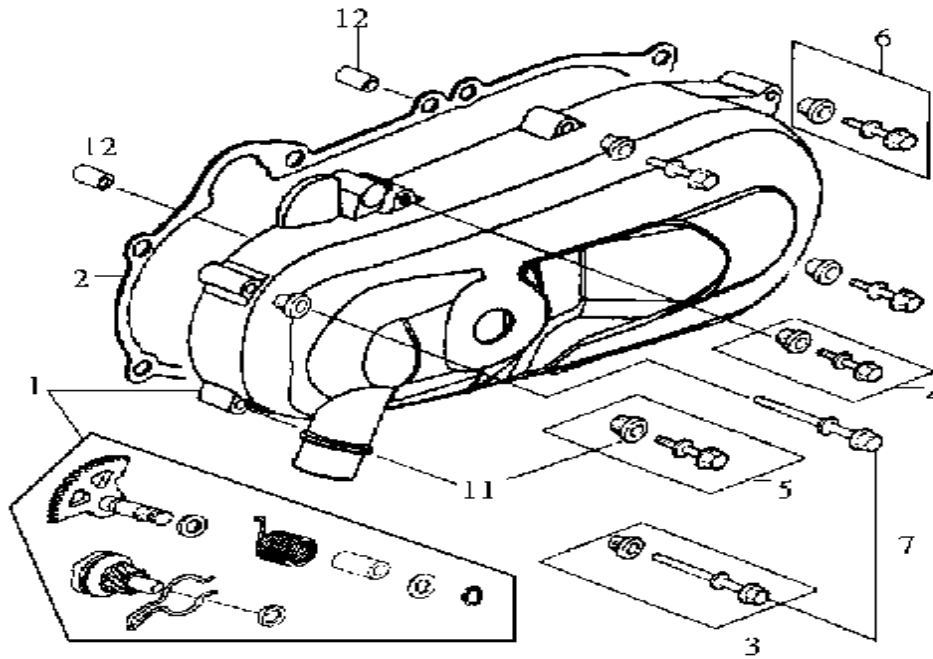




MODEL(S) HA10W-6(Cinderella 100)		A P P L Y	Q T Y R E Q	
BLOCK NO. .A-1	CHANGE DATE			
PARTS NUMBER				DESCRIPTION
1. 31200-A31-000			1	Start motor ass'y
2. 31203-A31-010			1	Start pinion holder comp
3. 31209-GW3-013			1	Start pinion ass'y
5. 95701-06032-00			2	Flange bolt 6x32

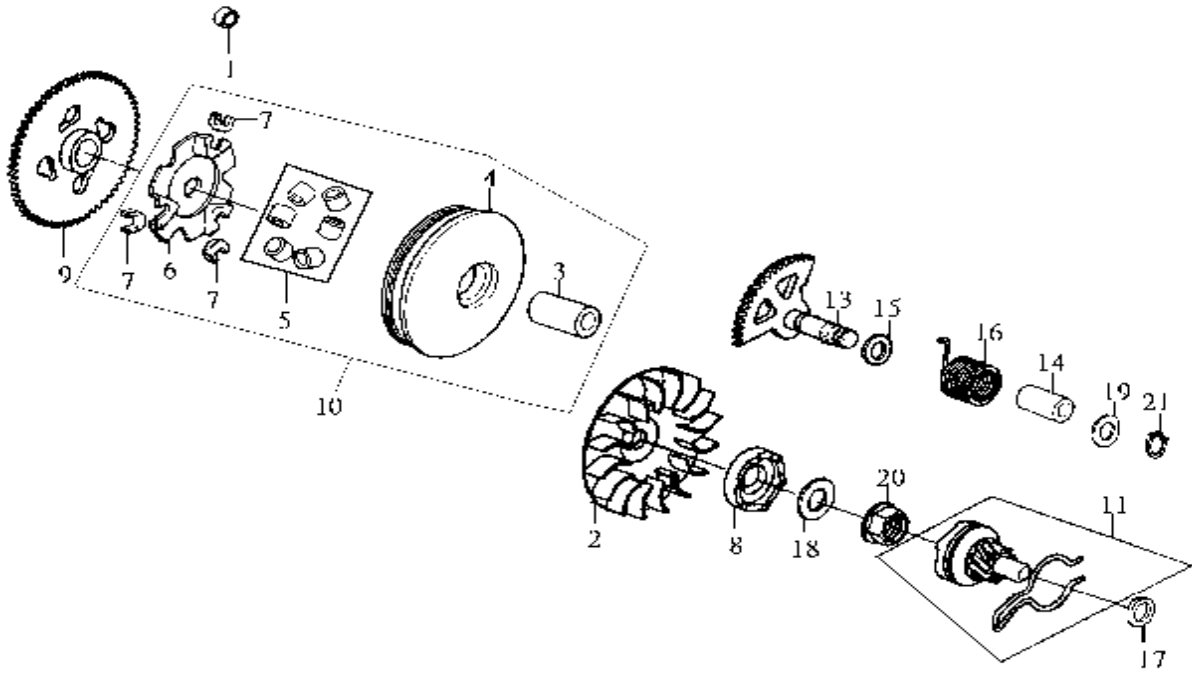


E-11 L side cover



MODEL(S) HA10W-6(Cinderella 100)		A P P L Y	Q T Y R E Q	
BLOCK NO. .A-2  PARTS NUMBER	CHANGE DATE			DESCRIPTION
1. 1134A-A31-001 <b>1134A-A31-010</b> 2. 11395-A31-010 <b>11395-A3A-000</b> 3. 9000A-GW3-000 4. 9000A-F01-000 5. 9000B-F01-000 6. 9000C-F01-000 7. 90006-GW3-000 11. 90543-GR1-000 12. 94301-10200	Feb./20.2002		1 1 2 1 3 2 2 8 2	L. crank case cover  L. crank case cover gasket  Special bolt ass'y 6x57 Special bolt ass'y 6x28 Special bolt ass'y 6x37 Special bolt ass'y 6x54 Special bolt 6x57 Mount rubber Dowel pin 10x20

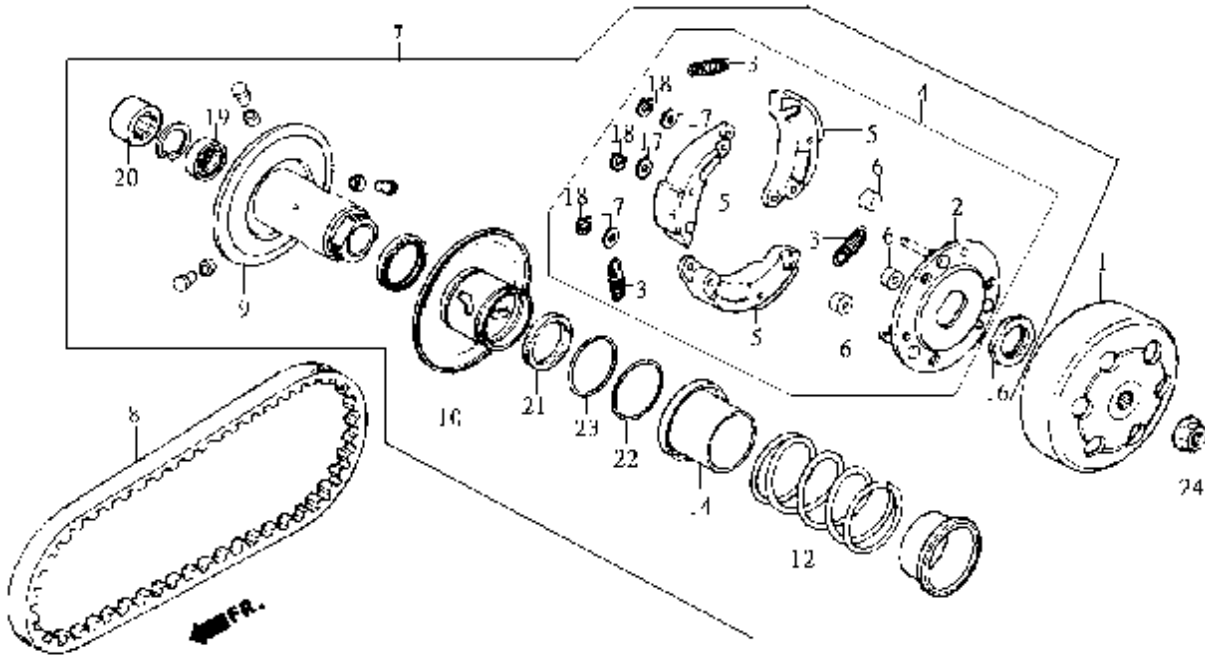




MODEL(S) HA10W-6(Cinderella 100)		A	Q		
BLOCK NO. A-2	CHANGE DATE	P	T		
PARTS NUMBER		L	R	DESCRIPTION	
		Y	E		
1. 11205-GW3-003-H1	Feb./21.2002		1	Bush 8x12x6	
2. 22102-A31-000			1	Drive face comp	
<b>22102-A31-300</b>					
3. 22105-A31-000					
4. 22110-A31-000					
5. 22121-A31-000-A					
6. 22131-A31-000					
7. 22132-A31-000-A					
8. 28211-KBN-900					
9. 28220-A31-010					
10. 22000-A31-000					
11. 2823A-KB1-900					
13. 28250-A31-000					
14. 28253-GN2-601					
15. 28255-GS6-000					
16. 28281-A31-000					
17. 90412-329-000					
18. 90426-KBN-900					
19. 90451-GN2-600					
20. 94001-12200-OS					
21. 94511-14000					



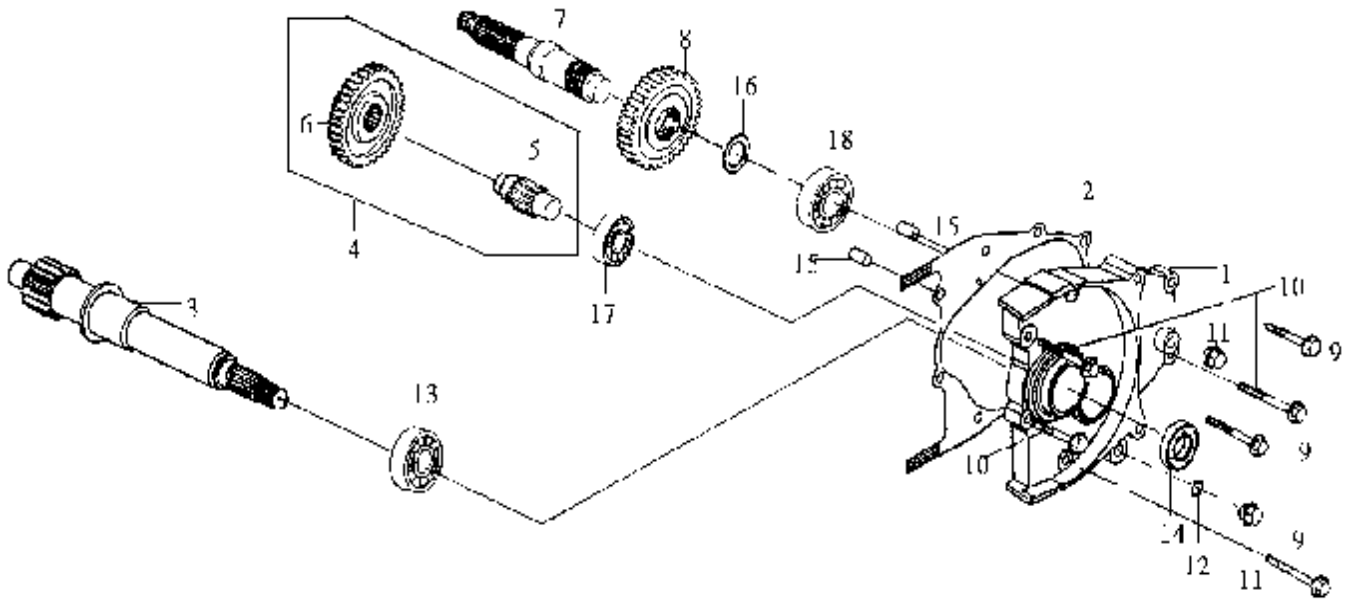
E-13 Driven face



MODEL(S)	CHANGE DATE	A P P L Y	Q T Y R E Q	DESCRIPTION
HA10W-6(Cinderella 100)				
BLOCK NO. .A-1				
PARTS NUMBER				
1. 22100-A41-000			1	Clutch outer
2. 22350-GW3-000			1	Drive plate comp
3. 22401-GN2-010			3	Clutch spring
4. 22300-A41-000			1	Drive plate ass'y
5. 22530-A41-000			3	Clutch weight
6. 22804-GB2-000			3	Clutch damper rubber
7. 23010-A41-000			1	Driven pulley ass'y
8. 1B01A3101			1	Drive belt
9. 23210-A31-000			1	Driven face comp
10. 23220-A31-000			1	Movable driven face comp
12. 23233-GW3-010			1	Driven face spring
14. 23237-A31-000			1	Seal collar
16. 90202-KN7-670			1	Special nut 28mm
17. 90442-044-000			3	Thrust washer 6mm
18. 90603-044-000			3	Circle clip 6mm
19. 91001-GA7-701			1	Radial ball BRG. 6901U
20. 91001-GY6-900-M1			1	Needle BRG. 20x29x18
22. 91351-GR1-000			1	O-ring 38.5x2
23. 91351-642-000			1	Pinion cap O-ring
24. 94050-10000			1	Flange nut 10mm



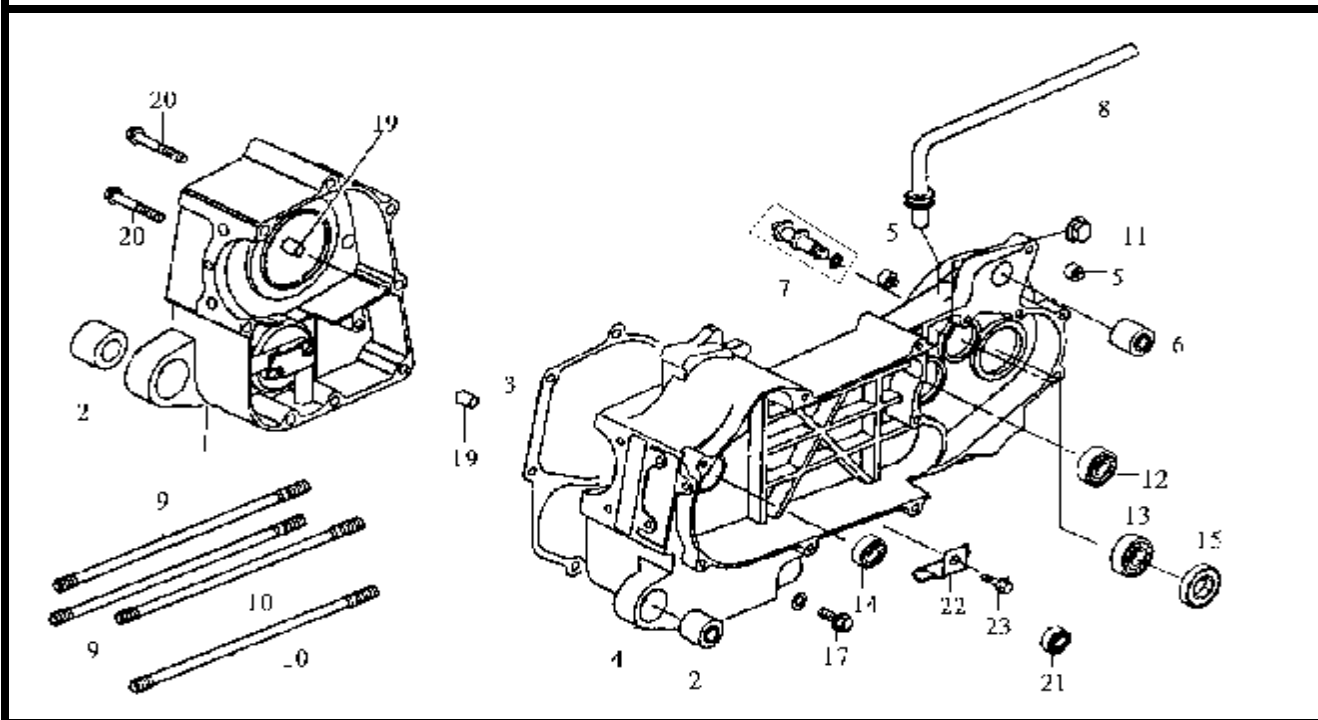
TEAMWORLD IND. 2000



MODEL(S) HA10W-6(Cinderella 100)		A P P L Y	Q T Y R E Q	
BLOCK NO. .A-1	CHANGE DATE			
PARTS NUMBER				DESCRIPTION
1. 21301-A31-000			1	Mission cover
2. 21395-A31-000			1	Mission cover gasket
3. 23411-A31-000			1	Drive shaft
4. 23420-A31-000			1	Counter shaft comp
5. 23421-A31-300			1	Counter shaft
6. 23422-A31-300			1	Counter gear
7. 23431-GY6-920			1	Final shaft
8. 23432-A31-000			1	Final gear
9. 90001-GHB-680			3	Flange shaft bolt 6x28
10. 90001-GHB-700			3	Flange shaft bolt 6x35
11. 90103-KN8-000			2	Special bolt 8mm
12. 90474-333-000			1	Washer 8mm
13. 91005-KN2-901			1	BRG. Ball radial YMB-204ccs
14. 91202-KJ9-003			1	Oil seal 20x32x6
15. 94301-08140			2	Dowel pin 8x14
16. 94510-20000			1	EX. Circle clip 20mm
17. 96100-62020-00			1	Radial ball bearing 6202
18. 96100-62030-00			1	Radial ball bearing 6203



E-15 Crank case

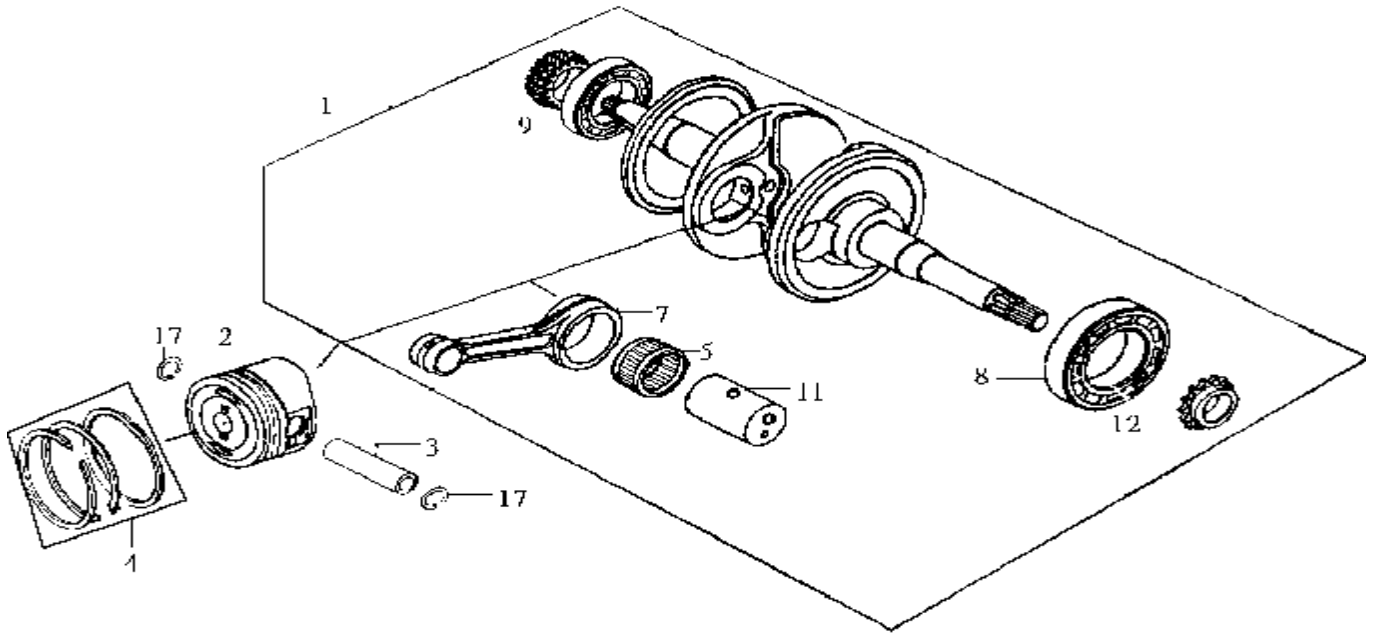


MODEL(S) HA10W-6(Cinderella 100)		A	Q	
BLOCK NO. .A-2	CHANGE DATE	P	T	
PARTS NUMBER		L	Y	DESCRIPTION
		Y	R	
			E	
			Q	
1. 11100-A31-010			1	R. crank case comp
2. 11102-187-003			1	ENG. Hanger rubber bush
3. 11192-A31-010			1	Crank case gasket
4. 11200-A31-030			1	L. crank case comp
<b>11200-A31-040</b>	Feb./21.2002			
5. 11202-M92-000			2	Rubber spring. Guide
6. 11203-GC7-300			1	RR. Cush under rubber bush
7. 11203-KM1-310			1	Brake shoe anchor pin
8. 11221-GY6-900			1	Mission breather tube
9. 90032-GY6-900			2	Stud bolt B 8x195.5
10. 90032-M36-000			2	CYL. Stud bolt B
11. 90309-M9Q-000			1	Flange nut 8mm
12. 91003-KS4-003			1	Radial ball BRG. 6301TMB
13. 91009-GE0-003-M1			1	Radial ball BRG. 6004U
14. 91201-GY6-903-M2			1	Oil seal 19.8x30x5
15. 91255-GE0-003			1	Oil seal 27x42x7
17. 92800-12000			1	Drain plug bolt 12mm
19. 94301-08140			1	Dowel pin 8x14
20. 96001-06050-00			2	Flange SH bolt 6x50
21. 96100-60020-00			2	Ball radial BRG. 6002
23. 96001-06012-00			1	SH. Flange bolt 6x12



TEAMWORLD IND. 2000

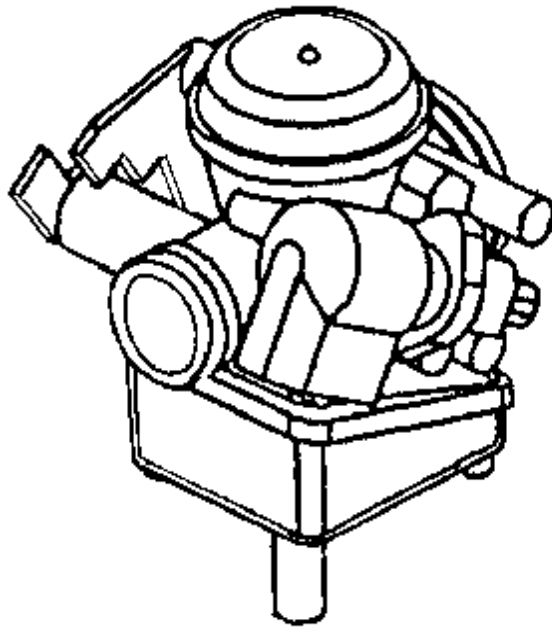




MODEL(S) HA10W-6(Cinderella 100)		A	Q	
BLOCK NO. .A-1	CHANGE DATE	P	T	
PARTS NUMBER		L	R	DESCRIPTION
1. 13000-A31-030			1	Crank shaft comp
2. 13101-A31-000			1	Piston
3. 13111-A31-000			1	Piston pin
4. 13010-A31-000			1	Piston ring
5. 91002-X01-000			1	Conn.rod. brg.25x30x14.8
7. 13201-A31-000			1	Connecting rod
8. 91002-GY6-303			1	Radial ball bearing 63/22
9. 91001-M36-000			1	Radial ball bearing TMB-304
11. 13380-A31-300			1	Crank pin comp
12. 14311-GY6-900			1	Timing sprocket
13. 15131-A31-000			1	Oil pump drive sprocket
17. 94601-13000			2	Piston pin clip 13mm



E-17 Carburetor



1

MODEL(S) HA10W-6(Cinderella 100)		A P P L Y	Q T Y R E Q	
BLOCK NO. .A-1  <b>PARTS NUMBER</b>	<b>CHANGE DATE</b>			<b>DESCRIPTION</b>
1. 16100-M83-000-01			1	Carburetor ass'y

