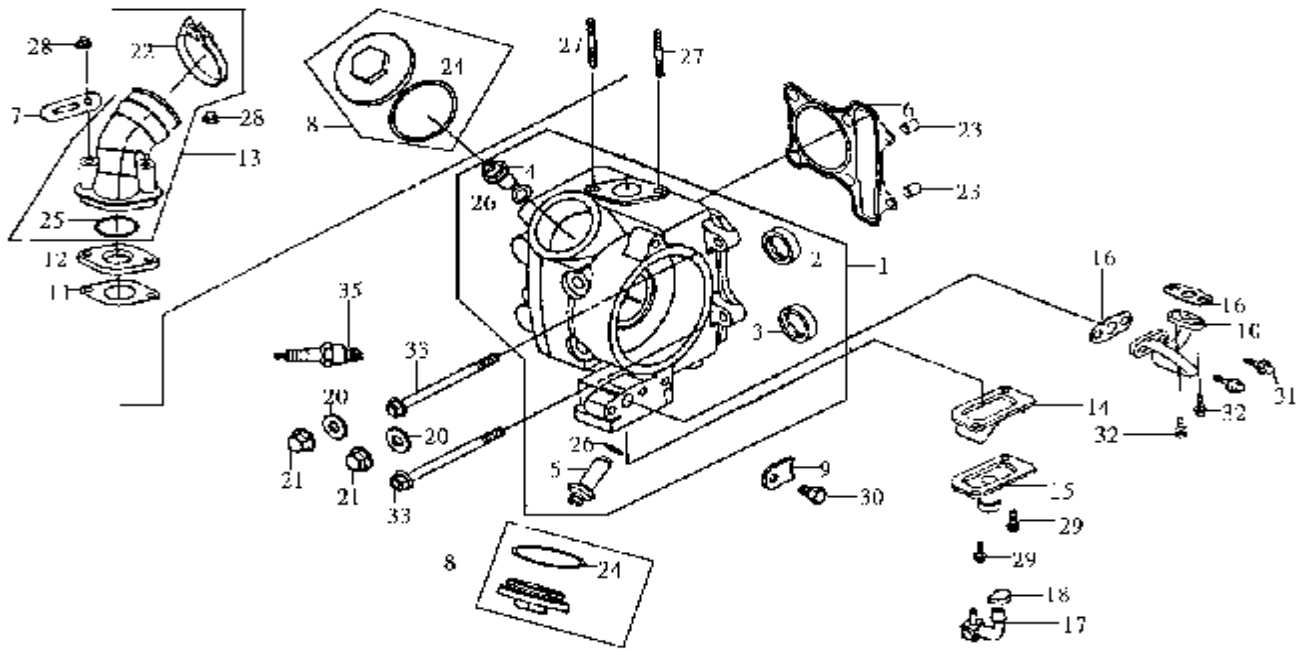


MODEL(S) HA10V2-6(Cinderella 100)		A P P L Y	Q T Y R E Q	
BLOCK NO. .A-1  PARTS NUMBER	CHANGE DATE			DESCRIPTION
1. 19610-A31-000			1	Fan cover comp
2. 19613-GY6-900			1	Stator motor cord clamper
3. 1962A-A31-000			1	Shroud A
5. 1963A-A31-000			1	Shroud B ass'y
7. 93903-35380			8	Tapping screw 5x16
8. 50130-X04-000			1	Clip 2x7
9. 96001-06020-00			1	Flange SH bolt 6x20
10. 96001-06025-00			2	SH flange bolt 6x25



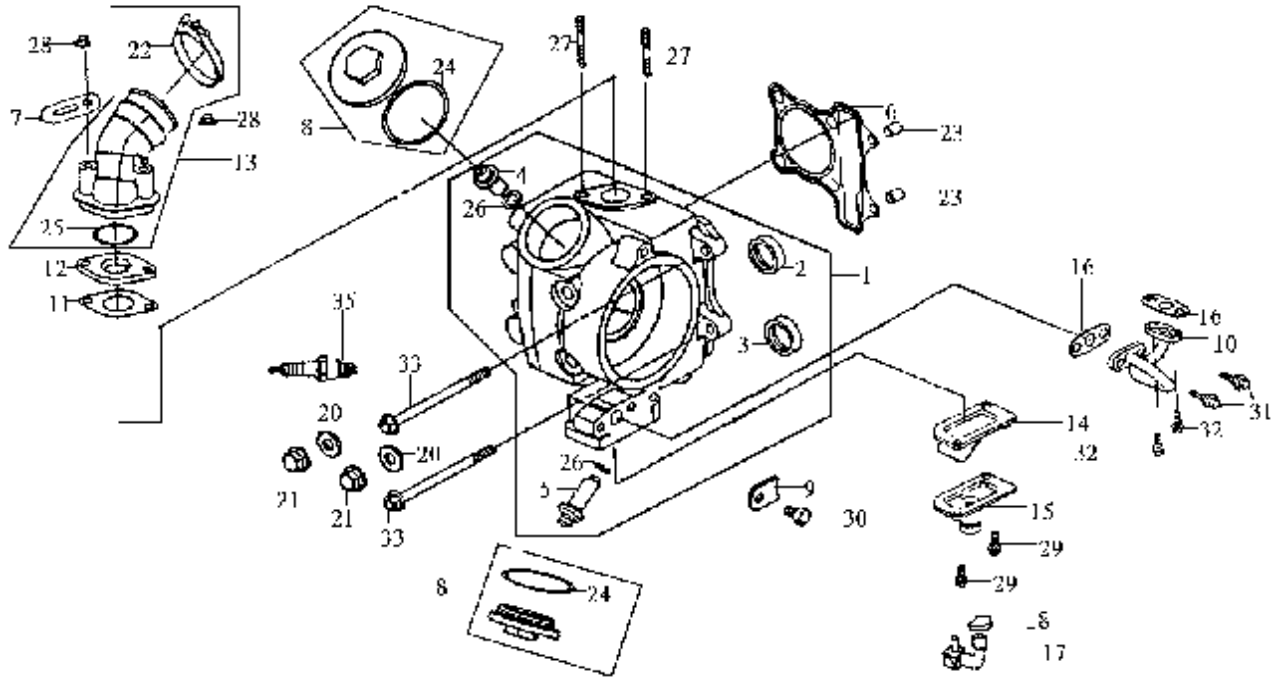
## E-02 Cylinder head



MODEL(S)	CHANGE DATE	A P P L Y	Q T Y R E Q	DESCRIPTION
HA10V2-6(Cinderella 100)				
BLOCK NO. .A-2				
PARTS NUMBER				
1. 12200-A31-000 <b>12200-A31-001</b>	Feb./19.2002		1	Cylinder head comp
2. 12225-A31-300			1	IN. valve seat
3. 12226-A11-010			1	EX. valve seat
4. 12237-M8Q-300			1	IN. valve guide
5. 12245-M8Q-300			1	EX. valve guide
6. 12251-A31-000			1	Cylinder head gasket
7. 12342-X01-000			1	Clamp
8. 1236A-A31-000			2	Tappet adjusting hole cap ass'y
9. 14457-A31-000			1	Cam shaft setting plate
10. 15514-A31-000			1	Air pipe comp
11. 16201-A31-000			1	Carb. Insulator gasket
12. 16211-A31-000			1	Carb. Insulator
13. 1711A-A31-000			1	Inlet pipe ass'y
14. 18601-MJ1-790-E1			1	Reed valve comp
15. 18612-A31-000			1	Reed valve cover
16. 18654-N14-000			2	Air pipe gasket
17. 18660-A31-000			1	Joint AIAC tube ass'y
18. 19505-KS6-700			1	Water hose clamp A
19. 90033-041-020			2	Stud bolt 6x32
20. 90442-028-000			4	Sealing washer 8mm
21. 90443-M36-000			4	Cap nut 8mm
22. 90652-G03-000	Jun./12.2000		1	Air/c conn. tube band 41mm



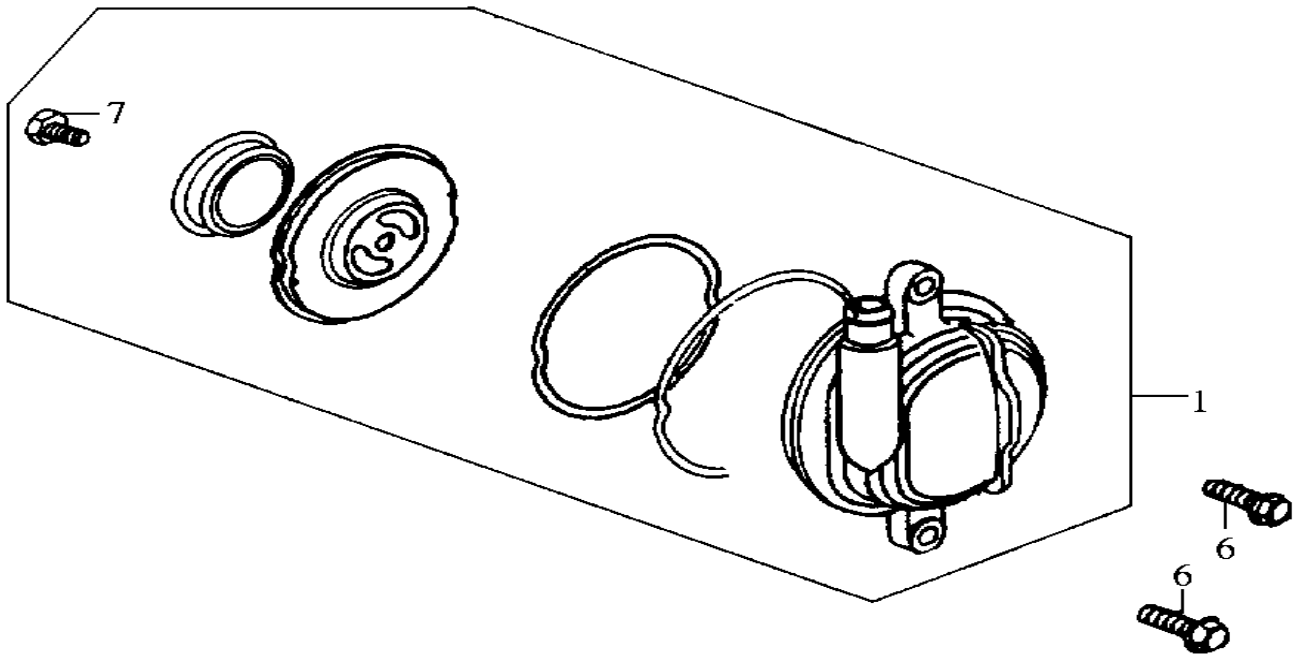
TEAMWORLD IND. 2000



MODEL(S)	CHANGE DATE	A P P L Y	Q T Y R E Q	DESCRIPTION
HA10V2-6(Cinderella 100)				
BLOCK NO. A-1				
PARTS NUMBER				
23. 90703-HC4-000			2	Dowel pin 10x14
24. 91303-A31-000			2	O-ring 41x2.6
25. 91304-GW3-003			1	O-ring 23x1.9
26. 91305-M9Q-000			2	O-ring 9x1.6
27. 92900-06050-0E			2	Stud bolt 6x50
28. 94050-06000			2	Flange nut 6mm
29. 96001-06010-00			1	SH flange bolt 6x10
30. 96001-06010-08			2	Flange bolt SH 6x10
31. 96001-06012-00			1	SH flange bolt 6x12
32. 96001-06016-00			2	SH flange bolt 6x16
33. 96001-06090-00			4	SH flange bolt 6x90
34. 96205-06007-M1			2	Cone type plug 6x7
35. 1PCR6HSA-3			1	Spark plug(CR6HSA)

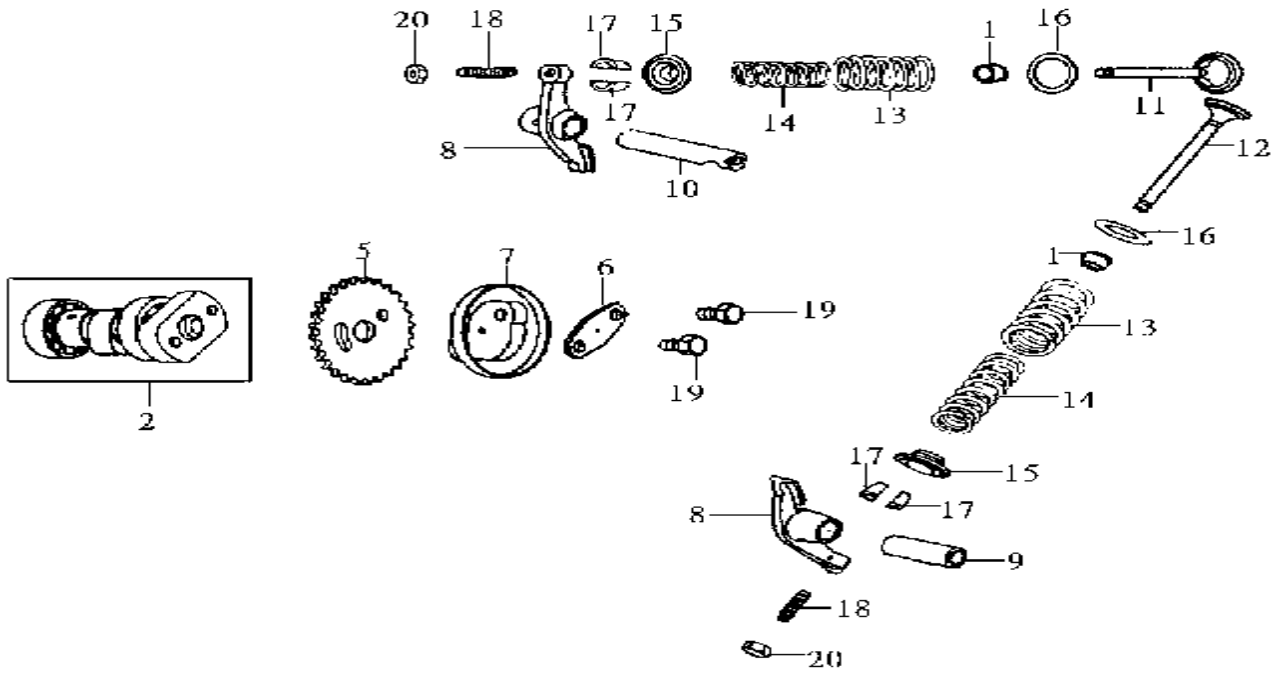


**E-03** Clinder head L side cover



MODEL(S) HA10V2-6(Cinderella 100)		A P P L Y	Q T Y R E Q	
BLOCK NO..A-1  PARTS NUMBER	CHANGE DATE			DESCRIPTION
1. 12300-A31-000			1	Cylinder head L side cover ass'y
6. 95801-06020-00			2	Flange bolt 6x20
7. 96001-06012-00			1	SH flange bolt 6x12

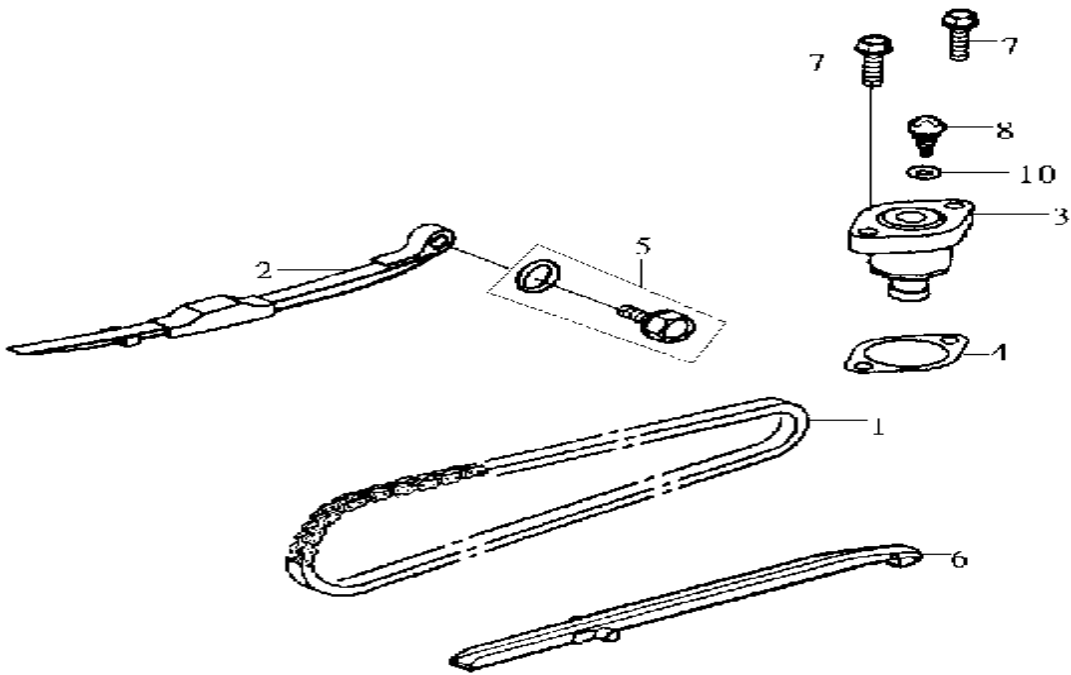




MODEL(S)	CHANGE DATE	A P P L Y	Q T Y R E Q	DESCRIPTION
HA10V2-6(Cinderella 100)				
BLOCK NO. .A-1				
PARTS NUMBER				
1. 12209-GB4-681-M1			2	Valve stem seal
12209-MA6-003			2	Valve stem seal
2. 14100-A31-000			1	Cam shaft
4. 14102-A31-300			1	Cam shaft flange
5. 14105-A31-000			1	Cam sprocket
6. 14105-X01-000			1	Cam sprocket washer
7. 14108-M36-000			1	Centrifugal disk
8. 14431-GY6-900-F2			2	Valve rocker arm
9. 14451-035-000			1	Valve rocker arm shaft
10. 14451-M36-000			1	IN. valve rocker arm shaft
11. 14711-A31-000			1	Inlet valve
12. 14721-A31-000			1	Exhaust valve
13. 1475A-M8Q-000			2	Valve outer spring
14. 14761-GN5-911-M1	Jun./12.2000		2	Valve inner spring
15. 14771-GB4-680-E1			2	Valve spring retainer
16. 14775-MA6-000			2	Valve spring outer seat
<b>17. 14781-M9Q-000-A</b>			1	Valve cotter
18. 90012-333-000			2	Tappet adjusting screw
19. 90083-X01-000			2	Lock bolt 6mm
20. 90206-001-000			2	Tappet adjusting nut



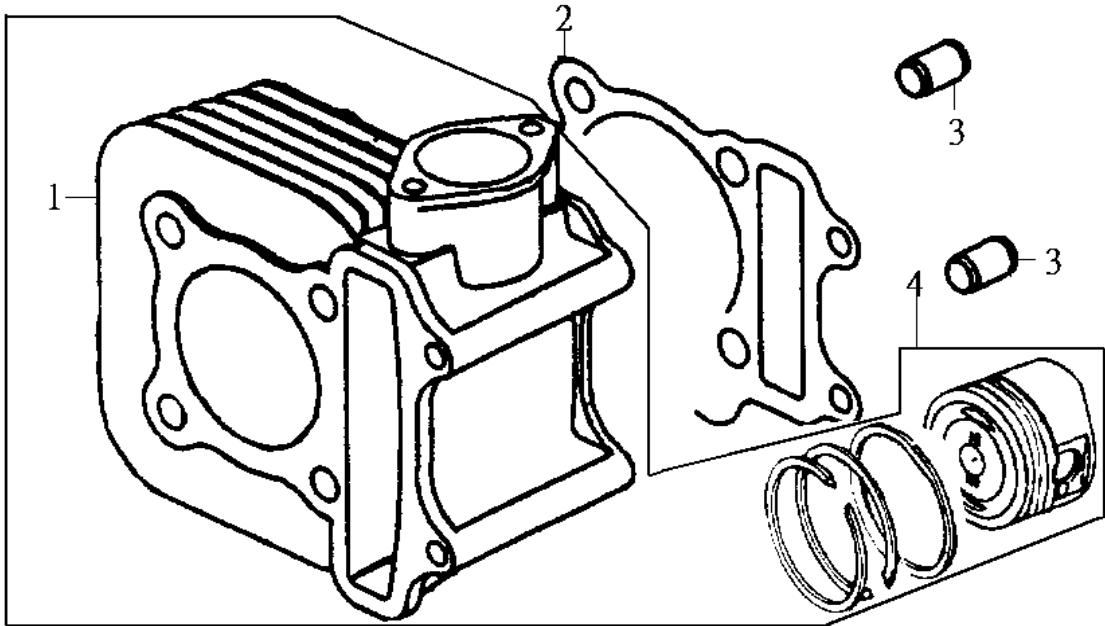
**E-05** Cam chain □ Tensioner



MODEL(S) HA10V2-6(Cinderella 100)		A P P L Y	Q T Y R E Q	
BLOCK NO. .A-1  PARTS NUMBER	CHANGE DATE			DESCRIPTION
1. 1C14401-A31-000			1	Cam chain
2. 14510-A31-000			1	Cam chain tensioner
3. 14520-GY6-901-M1			1	Tensioner lifter ass'y
4. 14523-GY6-900			1	Tensioner lifter gasket
5. 1453A-V02-000			1	Cam chain tensioner pivot ass'y
6. 14610-A31-000			1	Cam chain guide comp
7. 90001-GHB-660			2	Flange SH. Bolt 6x22
8. 90005-KW1-900			1	Pan screw 6x6
10. 91306-105-690			1	O-ring 9.5x1.5



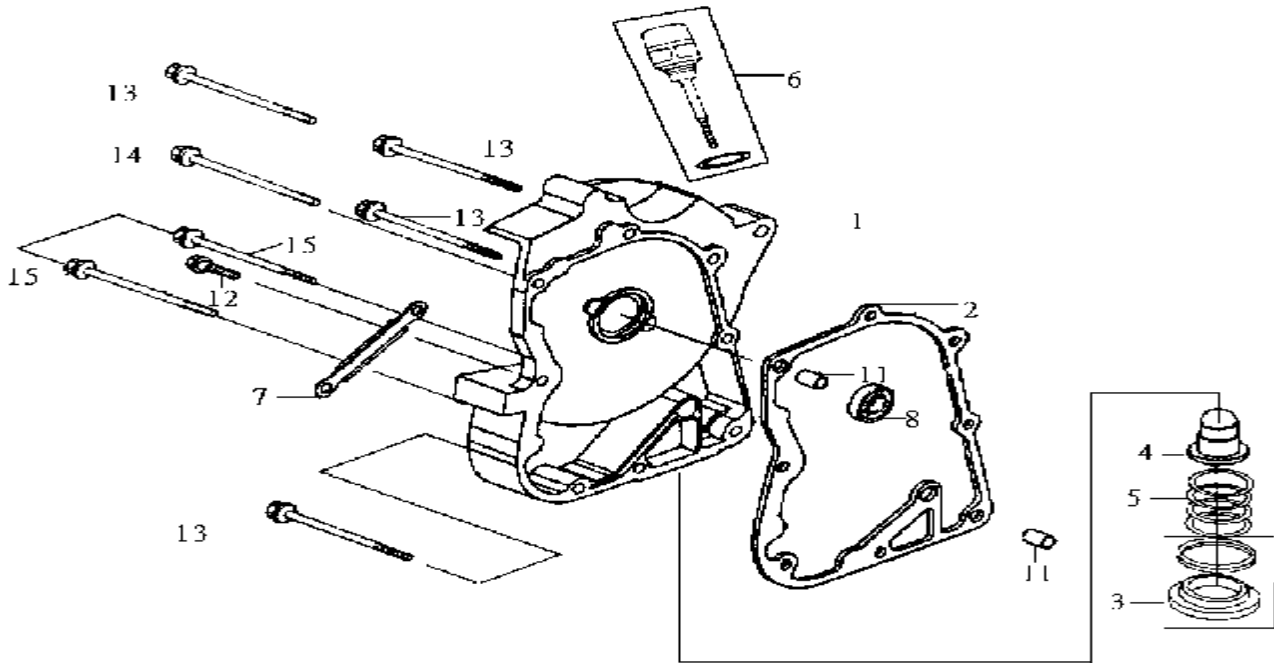
TEAMWORLD IND. 2000



MODEL(S) HA10V2-6(Cinderella 100)	CHANGE DATE	A P P L Y	Q T Y R E Q	
BLOCK NO .A-1  PARTS NUMBER				DESCRIPTION
1. 12100-A31-000			1	Cylinder comp
2. 12191-A31-000			1	Cylinder gasket
3. 90703-HC4-000			2	Dowel pin 10x14
4. 12100-A31-000-A			1	Cylinder ass'y

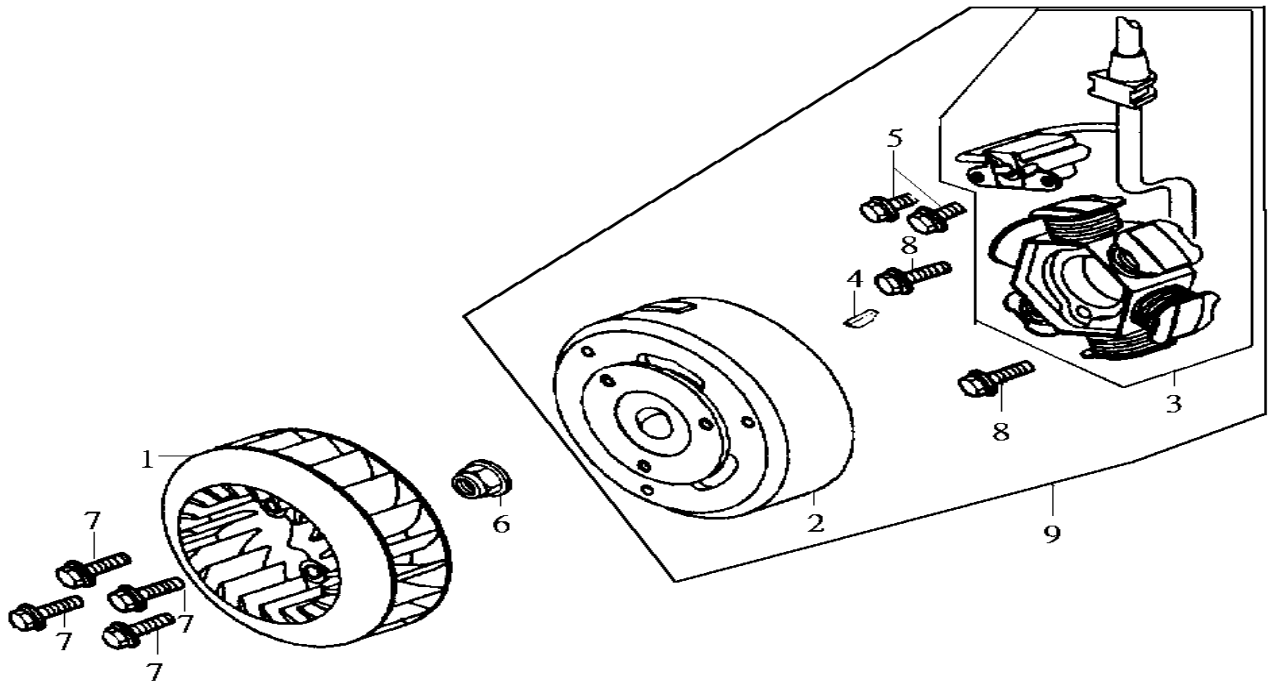


# E-07 Right crankcase cover



MODEL(S)		A	Q	
HA10V2-6(Cinderella 100)		P	T	
BLOCK NO..A-3	CHANGE DATE	P	Y	
PARTS NUMBER		L	R	
		Y	E	DESCRIPTION
		Q	Q	
1. 11331-A31-010 <b>11331-A31-020</b>	Feb./19.2002		1	R. crank case cover
2. 11394-A31-010 <b>11394-A31-020</b>	Feb./19.2002		1	R. cover gasket
3. 1236A-V02-000			1	Tappet adjusting hole cap ass'y
4. 15421-107-000			1	Oil filter screen
5. 15426-GE1-920			1	Oil filter spring
6. 1565A-A31-000			1	Oil level guage ass'y
7. 32961-A31-000			1	A.C.G. cord clamper
8. 91201-GY6-903-M2 <b>91201-A31-000</b>	Sep./19.2001	N	1	Oil seal 19.8x30x5 <b>Oil seal 17*30*5</b>
11. 94301-08140			2	Dowel pin 8x14
12. 96001-06025-00			1	SH. Flange bolt 6x25
13. 96001-06090-00			4	Flange SH bolt 6x90
14. 96001-06095-00			1	Flange SH bolt 6x95
15. 96001-06100-00			2	Flange SH bolt 6x100

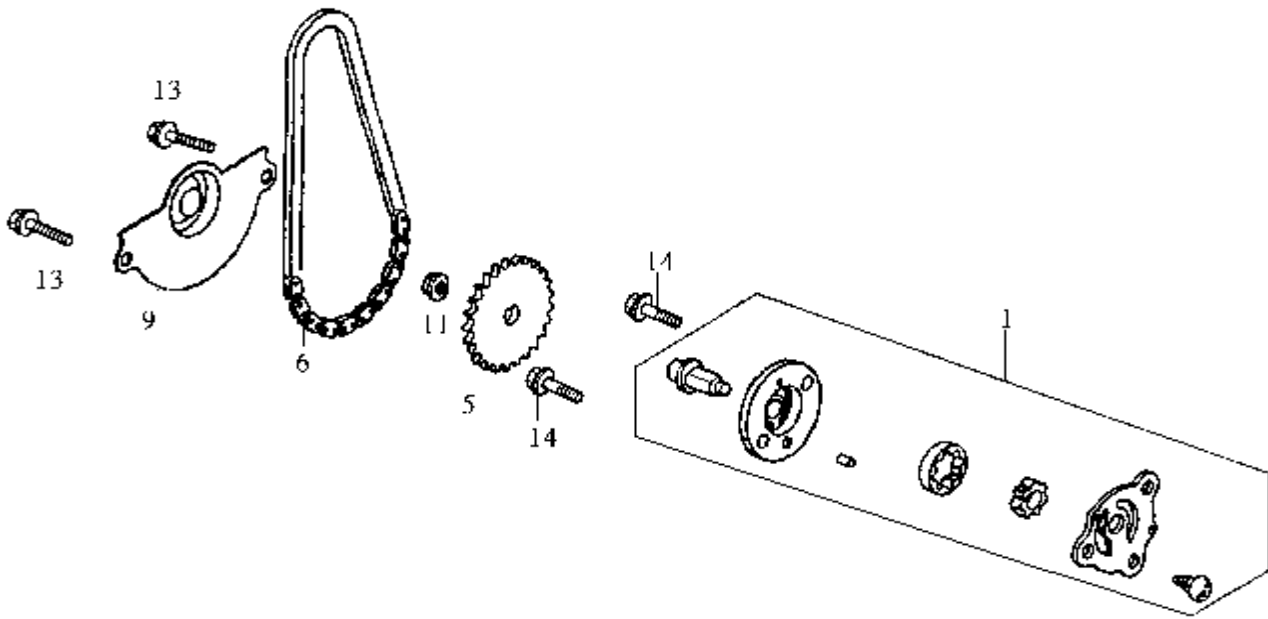




MODEL(S) HA10V2-6(Cinderella 100)		A P P L Y	Q T Y R E Q	
BLOCK NO..A-1  PARTS NUMBER	CHANGE DATE			DESCRIPTION
1. 19510-GW2-900			1	Cooling fan comp
2. 31110-A31-000			1	Flywheel comp
3. 31120-A31-000-609			1	Stator comp
4. 90741-035-000			1	Woodruff key
5. 92101-05010-0H			2	Hex bolt 5x10
6. 94050-10000			1	Flange nut 10mm
7. 95701-06016-00			4	Flange bolt 6x16
8. 96001-06020-00			2	Flange SH bolt 6x18
9. 31100-A31-000			1	A.C.G. ass'y

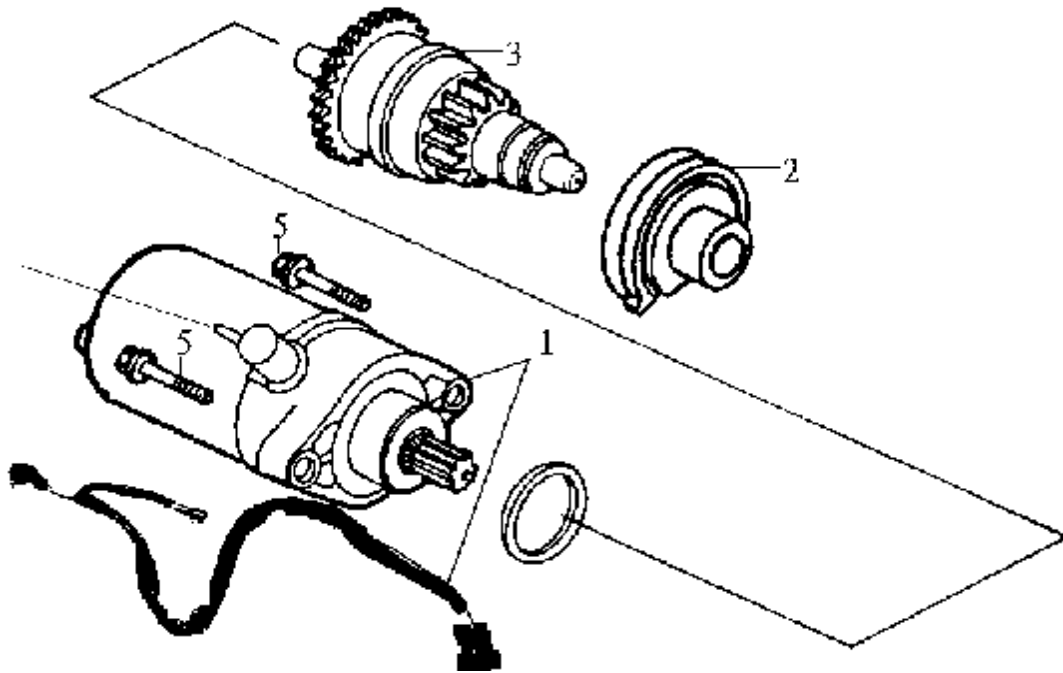


**E-09 Oil pump**



MODEL(S) HA10V2-6(Cinderella 100)		A P P L Y	Q T Y R E Q	
BLOCK NO. .A-2	CHANGE DATE			DESCRIPTION
PARTS NUMBER				
1. 15100-GY6-900			1	Oil pump ass'y
5. 15133-GY6-900			1	Oil pump driven sproket
6. 1C15141-V02-000			1	Oil pump chain
<b>1C15141-V02-000-M1</b>	May/10.2001	Y	1	Oil pump chain
9. 15711-GY6-900			1	Oil separater
11. 94050-06000			1	Flange nut 6mm
13. 96001-06012-00			2	Flange SH bolt 6x12
14. 96001-06025-00			2	Flange SH bolt 6x25

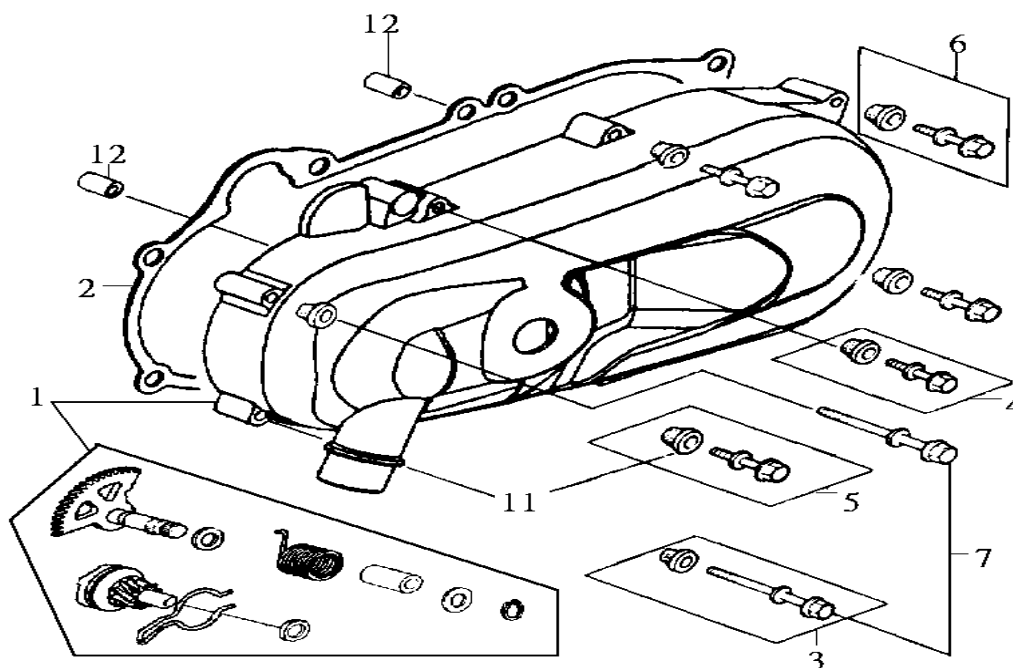




MODEL(S) HA10V2-6(Cinderella 100)		A P P L Y	Q T Y R E Q	
BLOCK NO. .A-1  PARTS NUMBER	CHANGE DATE			DESCRIPTION
1. 31200-A31-000 2. 31203-A31-010 3. 31209-GW3-013 5. 95701-06032-00			1 1 1 2	Start motor ass'y Start pinion holder comp Start pinion ass'y Flange bolt 6x32



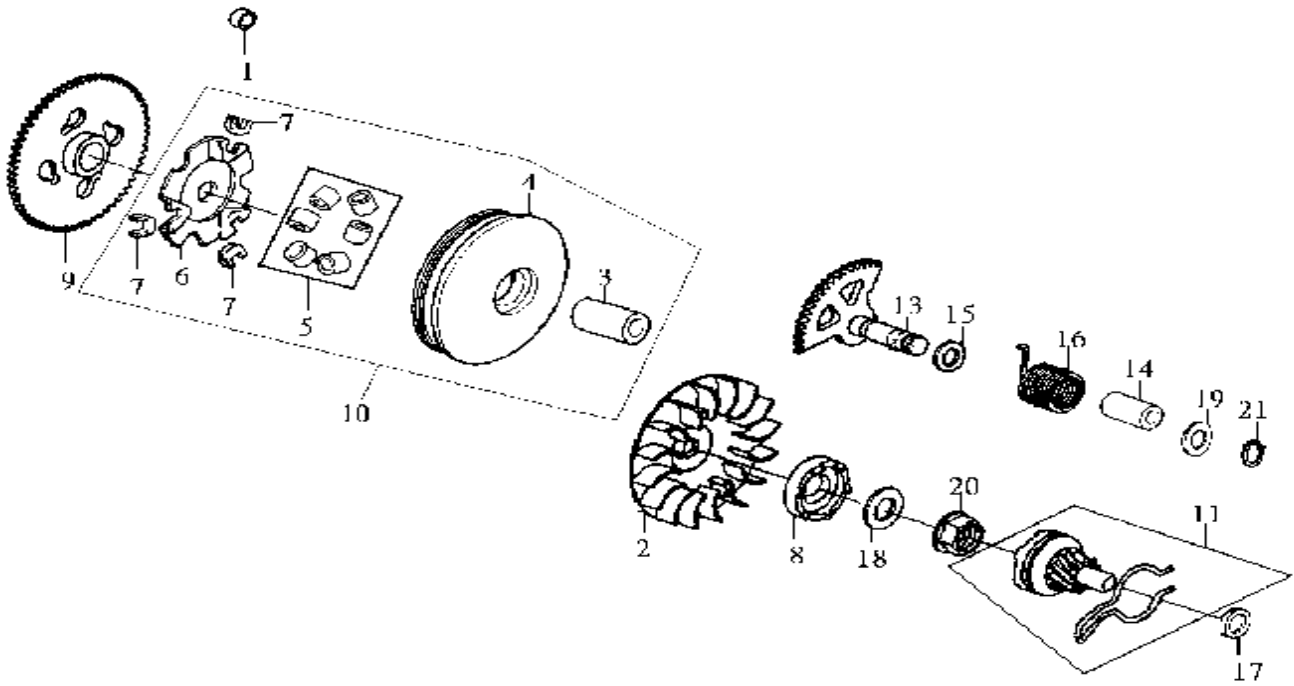
**E-11 L side cover**



MODEL(S) HA10V2-6(Cinderella 100)		A P P L Y	Q T Y R E Q	
BLOCK NO..A-2  PARTS NUMBER	CHANGE DATE			DESCRIPTION
1. 1134A-A31-001 <b>1134A-A31-010</b>	Feb./19.2002		1	L. crank case cover
2. 11395-A31-010 <b>11395-A3A-000</b>	Feb./19.2002		1	L. crank case cover gasket
3. 9000A-GW3-000			2	Special bolt ass'y 6x57
4. 9000A-F01-000			1	Special bolt ass'y 6x28
5. 9000B-F01-000			3	Special bolt ass'y 6x37
6. 9000C-F01-000			2	Special bolt ass'y 6x54
7. 90006-GW3-000			2	Special bolt 6x57
11. 90543-GR1-000			8	Mount rubber
12. 94301-10200			2	Dowel pin 10x20

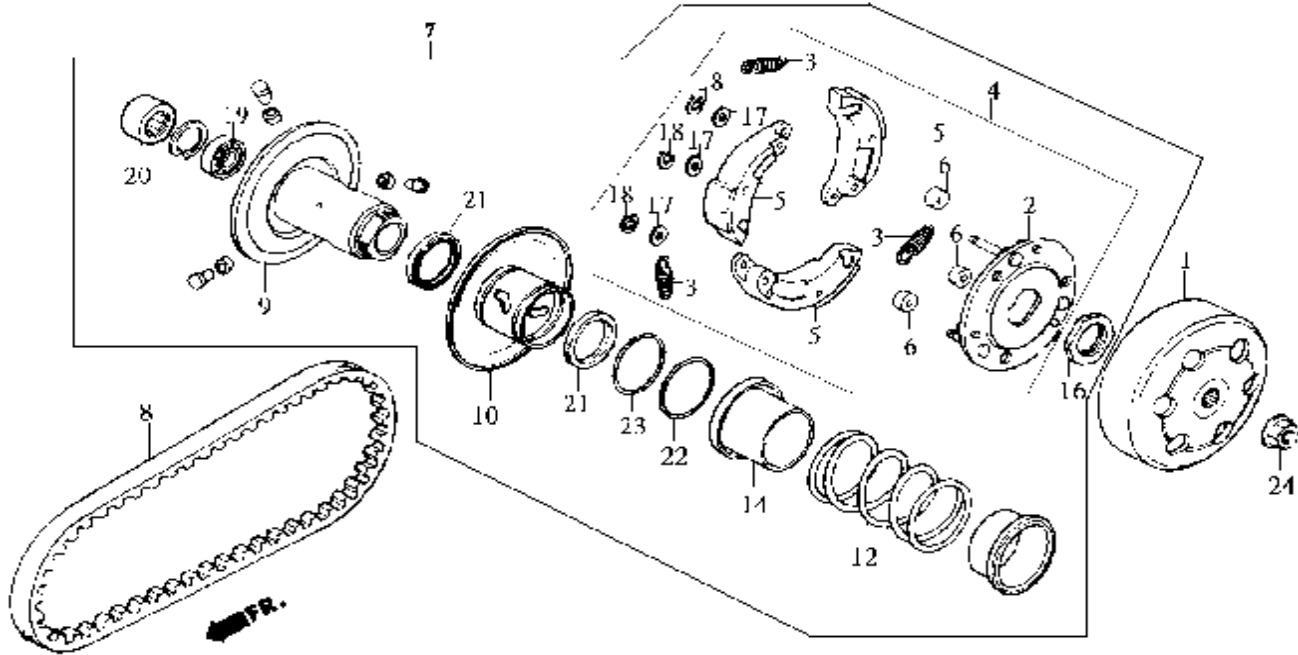


TEAMWORLD IND. 2000



MODEL(S)	CHANGE DATE	A P P L Y	Q T Y R E Q	DESCRIPTION
BLOCK NO. .A-2				
PARTS NUMBER				
HA10V2-6(Cinderella 100)				
1. 11205-GW3-003-H1 <b>11205-GW3-931-Y1</b>	Feb./19.2002		1	Bush 8x12x6
2. 22102-A31-000 <b>22102-A31-300</b>	Feb./19.2002		1	Drive face comp
3. 22105-A31-000			1	Drive face boss
4. 22110-A31-000			1	Movable drive face
5. 22121-A31-000-A			1	Weight roller comp
6. 22131-A31-000			1	Ramp plate
7. 22132-A31-000-A			1	Slide piece ass'y
8. 28211-KBN-900			1	Kick starter ratchet
9. 28220-A31-010			1	Starter driven gear comp
10. 22000-A31-000			1	Movable drive face assy
11. 2823A-KB1-900			1	Kick driven gear ass'y
13. 28250-A31-000			1	Kick starter spindle comp
14. 28253-GN2-601			1	Kick spindle bush
15. 28255-GS6-000			1	Kick boss collar
16. 28281-A31-000			1	Kick return spring
17. 90412-329-000			1	Thrust washer 10mm
18. 90426-KBN-900			1	Special washer 12mm
19. 90451-GN2-600			1	Kick spindle washer
20. 94001-12200-0S			1	Hex. Nut 12mm
21. 94511-14000			1	Circle clip EX. 14mm

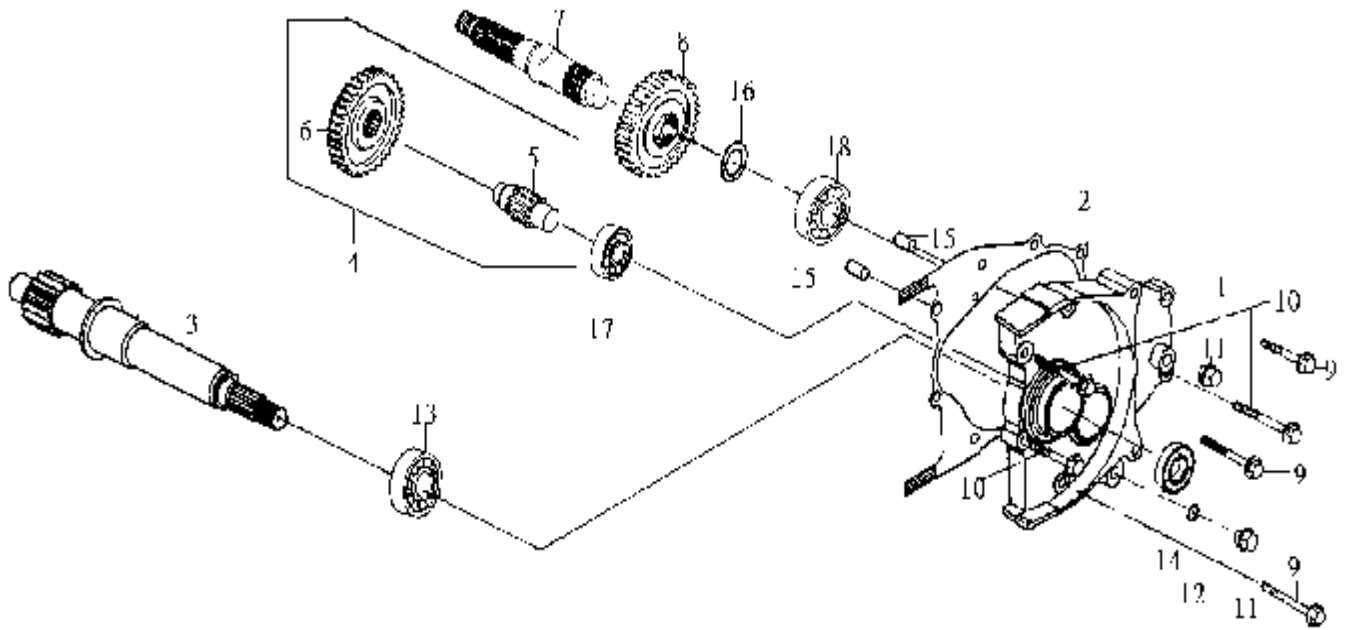
### E-13 Driven face



MODEL(S)	CHANGE DATE	APPLY	QTY	DESCRIPTION
HA10V2-6(Cinderella 100)				
BLOCK NO .A-2				
PARTS NUMBER				
1. 22100-A31-000 <b>22100-A41-000</b>	Feb./19.2002		1	Clutch outer
2. 22350-GW3-000			1	Drive plate comp
3. 22401-GN2-010			3	Clutch spring
4. 22300-A41-000			1	Drive plate ass'y
5. 22530-A41-000			3	Clutch weight
6. 22804-GB2-000			3	Clutch damper rubber
7. 23010-A41-000			1	Driven pulley ass'y
8. 1B01A3101			1	Drive belt
9. 23210-A31-000			1	Driven face comp
10. 23220-A31-000			1	Movable driven face comp
12. 23233-GW3-010			1	Driven face spring
14. 23237-A31-000			1	Seal collar
16. 90202-KN7-670			1	Special nut 28mm
17. 90442-044-000			3	Thrust washer 6mm
18. 90603-044-000			3	Circle clip 6mm
19. 91001-GA7-701			1	Radial ball BRG. 6901U
20. 91001-GY6-900-M1			1	Needle BRG. 20x29x18
21. 91211-GK8-013	Jun./12.2000		2	Oil seal 34x39x3
22. 91351-GR1-000			1	O-ring 38.5x2
23. 91351-642-000			1	Pinion cap O-ring
24. 94050-10000			1	Flange nut 10mm



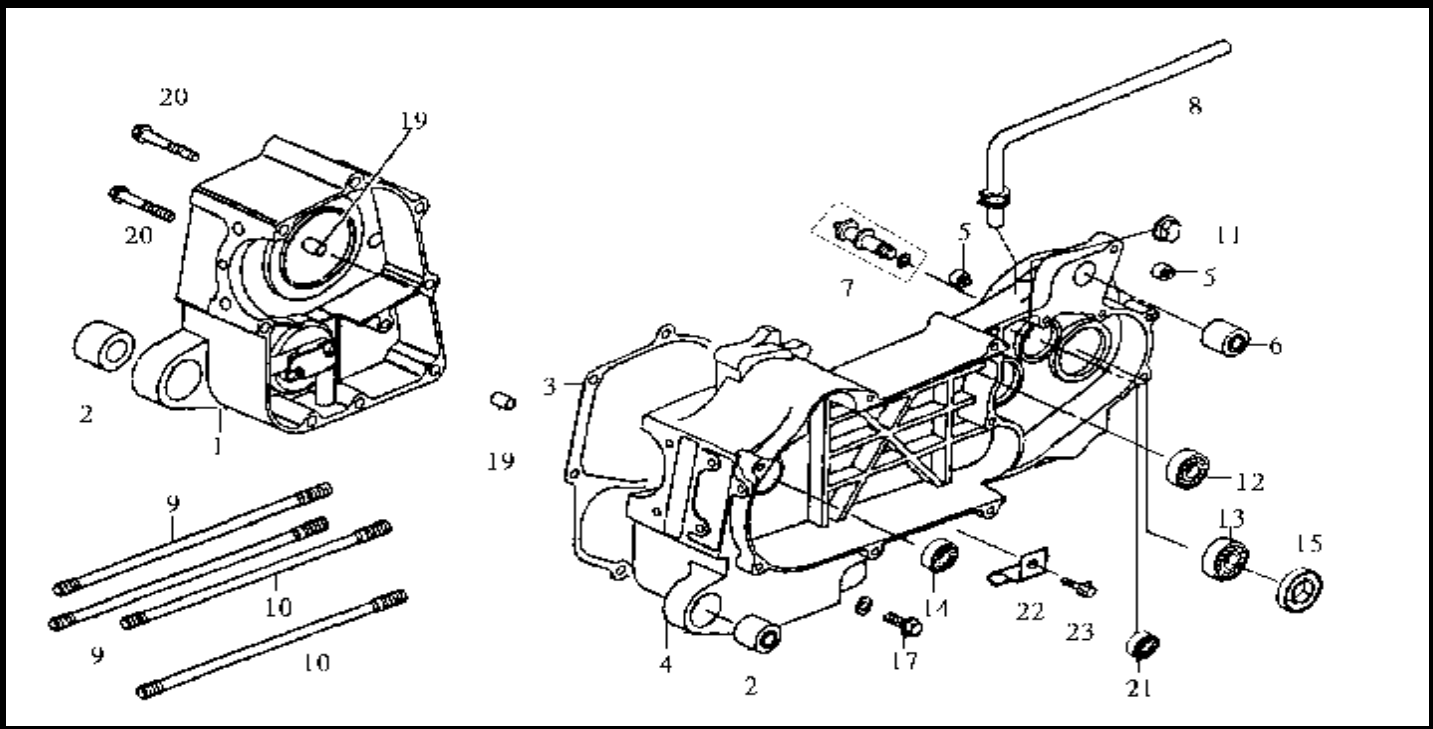
TEAMWORLD IND. 2000



MODEL(S)	CHANGE DATE	A P P L Y	Q T Y R E Q	DESCRIPTION
HA10V2-6(Cinderella 100)				
BLOCK NO. .A-1				
PARTS NUMBER				
1. 21301-A31-000			1	Mission cover
2. 21395-A31-000			1	Mission cover gasket
3. 23411-A31-000			1	Drive shaft
4. 23420-A31-000			1	Counter shaft comp
5. 23421-A31-300			1	Counter shaft
6. 23422-A31-300			1	Counter gear
7. 23431-GY6-920			1	Final shaft
8. 23432-A31-000			1	Final gear
9. 90001-GHB-680			3	Flange shaft bolt 6x28
10. 90001-GHB-700			3	Flange shaft bolt 6x35
11. 90103-KN8-000			2	Special bolt 8mm
12. 90474-333-000			1	Washer 8mm
13. 91005-KN2-901			1	BRG. Ball radial YMB-204ccs
14. 91202-KJ9-003			1	Oil seal 20x32x6
15. 94301-08140			2	Dowel pin 8x14
16. 94510-20000			1	EX. Circle clip 20mm
17. 96100-62020-00			1	Radial ball bearing 6202
18. 96100-62030-00			1	Radial ball bearing 6203



# E-15 Crank case

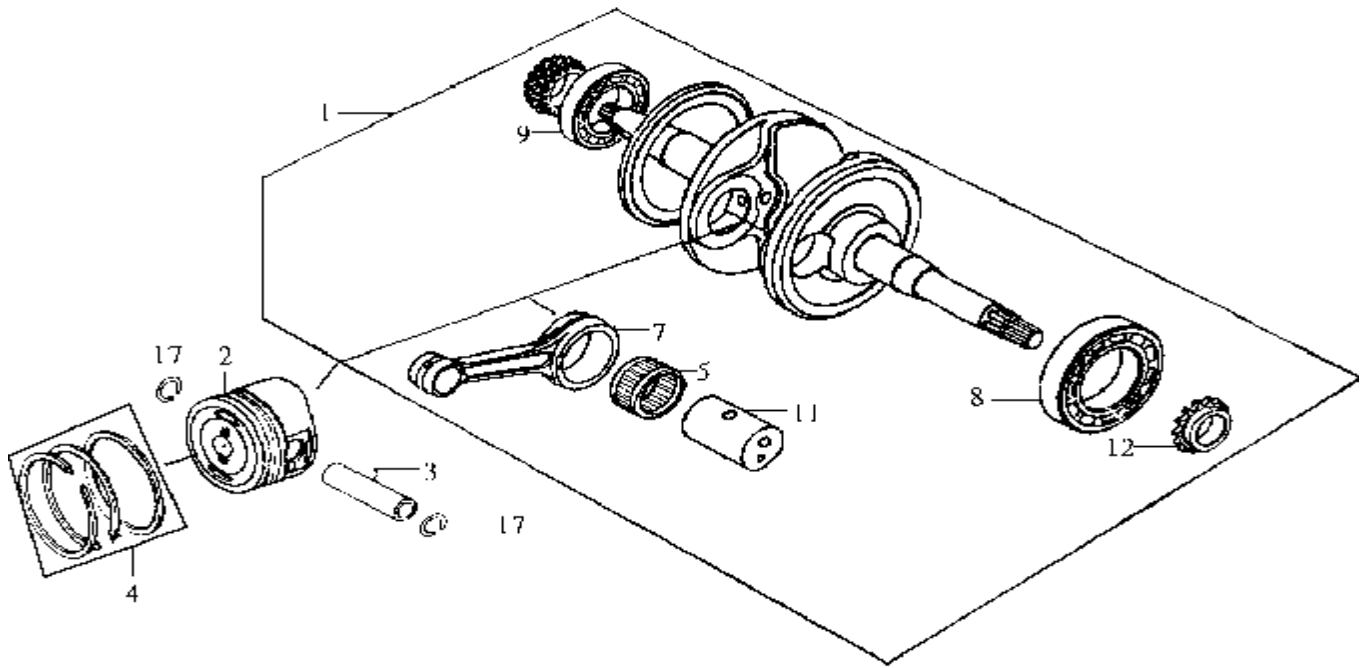


MODEL(S)	CHANGE DATE	APPLY	QTY	DESCRIPTION	
HA10V2-6(Cinderella 100)					
BLOCK NO. .A-2					
PARTS NUMBER					
1. 11100-A31-010	Feb./19.2002		1	R. crank case comp	
2. 11102-187-003			1	ENG. Hanger rubber bush	
3. 11192-A31-010			1	Crank case gasket	
4. 11200-A31-030			1	L. crank case comp	
<b>11200-A31-040</b>					
5. 11202-M92-000			2	Rubber spring. Guide	
6. 11203-GC7-300			1	RR. Cush under rubber bush	
7. 11203-KM1-310			1	Brake shoe anchor pin	
8. 11221-GY6-900			1	Mission breather tube	
9. 90032-GY6-900			2	Stud bolt B 8x195.5	
10. 90032-M36-000			2	CYL. Stud bolt B	
11. 90309-M9Q-000			1	Flange nut 8mm	
12. 91003-KS4-003			1	Radial ball BRG. 6301TMB	
13. 91009-GE0-003-M1			1	Radial ball BRG. 6004U	
14. 91201-GY6-903-M2			1	Oil seal 19.8x30x5	
15. 91255-GE0-003		1	Oil seal 27x42x7		
17. 92800-12000		1	Drain plug bolt 12mm		
19. 94301-08140		1	Dowel pin 8x14		
20. 96001-06050-00		2	Flange SH bolt 6x50		
21. 96100-60020-00		2	Ball radial BRG. 6002		
22. 43452-A31-000	Jun./12.2000		1	Brake cable clamp	
23. 96001-06012-00			1	SH. Flange bolt 6x12	



TEAMWORLD IND. 2000

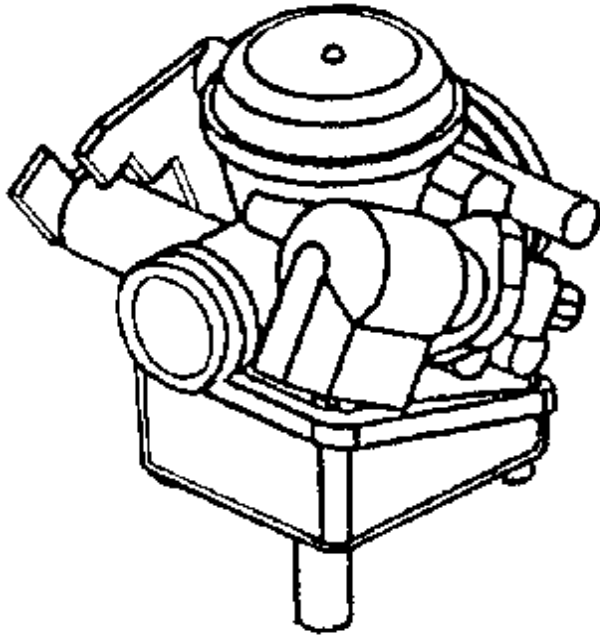




MODEL(S)	CHANGE DATE	A P P L Y	Q T Y R E Q	DESCRIPTION
HA10V2-6(Cinderella 100)				
BLOCK NO. .A-1				
PARTS NUMBER				
1. 13000-A31-030			1	Crank shaft comp
2. 13101-A31-000			1	Piston
3. 13111-A31-000			1	Piston pin
4. 13010-A31-000			1	Piston ring
5. 91002-X01-000			1	Conn.rod.big end brg.25x30x14.8
7. 13201-A31-000			1	Connecting rod
8. 91002-GY6-303			1	Radial ball bearing 63/22
9. 91001-M36-000			1	Radial ball bearing TMB-304
11. 13380-A31-300			1	Crank pin comp
12. 14311-GY6-900			1	Timing sprocket
13. 15131-A31-000			1	Oil pump drive sprocket
17. 94601-13000			2	Piston pin clip 13mm



**E-17** Carburetor



MODEL(S) HA10V2-6(Cinderella 100)		A P P L Y	Q T Y R E Q	
BLOCK NO..A-1  <b>PARTS NUMBER</b>	CHANGE DATE			<b>DESCRIPTION</b>
1. 16100-M83-000-01			1	Carburetor ass'y

