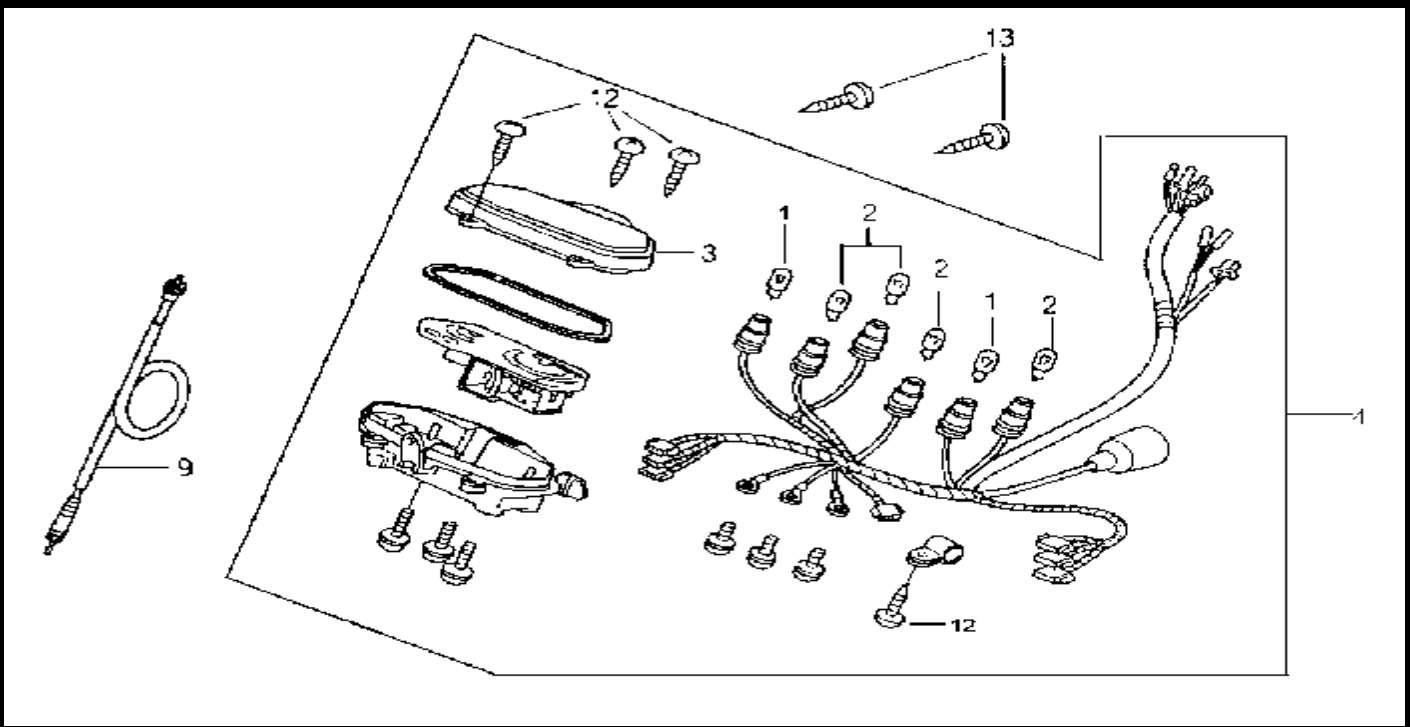
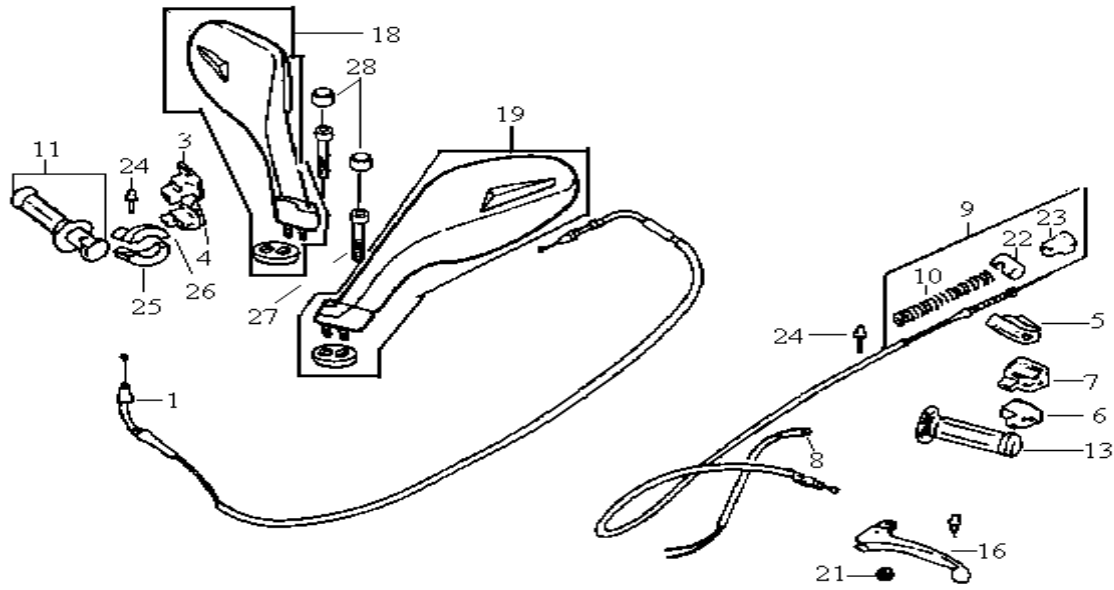


MODEL(S) H125D-6	CHANGE DATE	A P P L Y	Q T Y R E Q	PARTS NUMBER
BLOCK NO. .A-1 DESCRIPTION				
1.Head light ass'y.			1	33100-M70-020
2.Head light bulb (12V 35W)			1	34901-M42-000
3.Bulb position lamp (12V 3W)			2	34903-M42-000
4.Winker light bulb (12V 10W)			2	34905-B06-000-E
5.Tapping screw 5×12			3	93903-25220

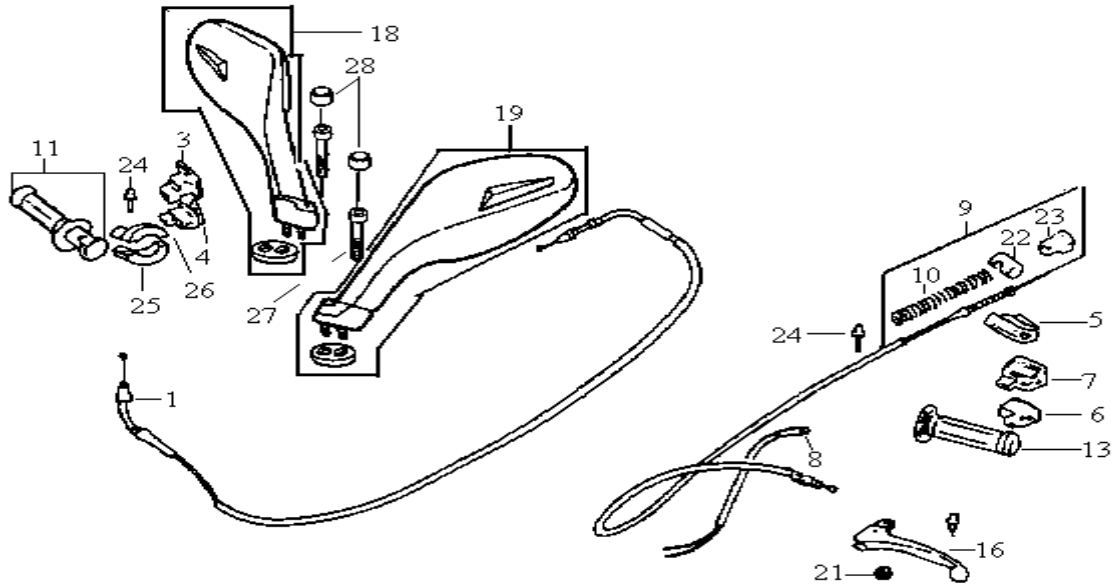


MODEL(S) H125D-6	CHANGE DATE	A P P L Y	Q T Y R E Q	PARTS NUMBER
BLOCK NO .A-1 DESCRIPTION				
1.Bulb wedge base 12V/3.4W			2	34908-GA7-701
2.Bulb wedge base 12V/1.7W			4	34908-MB9-871
4.Speedometer ass'y			1	37200-M9A-010
9.Spdm cable comp			1	44830-M91-000
12.Tapping screw 4×16			5	93903-24420
13.Tapping screw 5×16			3	93903-25320



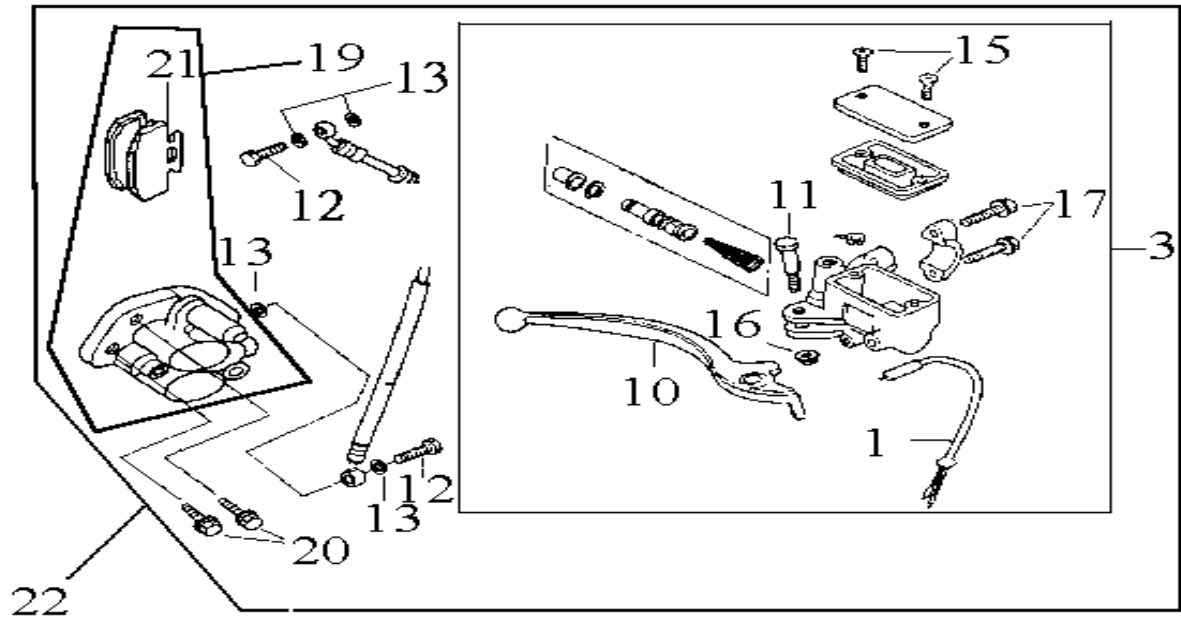
MODEL(S) H125D-6	CHANGE DATE	A P P L Y	Q T Y R E Q	
BLOCK NO .A-1 DESCRIPTION				PARTS NUMBER
1.Throt cable comp.			1	17910-M92-000
3.Lighting sw unit			1	35150-M38-000
4.Sw unit start			1	35160-M9Q-000
5.Sw unit dimmer			1	35170-M9Q-000
6.Switch unit horn			1	35180-M9Q-000
7.Switch unit winker			1	35200-M9Q-000
8.Sw assy fr stop			2	35340-M92-000
9.Rr brk cable comp			1	43450-M92-000
10.Spg rr brk arm			1	43472-M92-000
11.Throt grip comp			1	53140-M9Q-000
13.L handle grip			1	53166-M9Q-000
16.Lever L handle			1	53178-M92-010
18.R back mirror ass'y			1	88110-T40-000
19.L back mirror ass'y			1	88120-T40-000
21.Hex nut 5mm			1	94001-05070-0S
22.Brake arm joint b			2	95015-32001
23.Adj nut b			1	95015-42000
24.Handle level pivot bolt			1	90115-M9Q-000



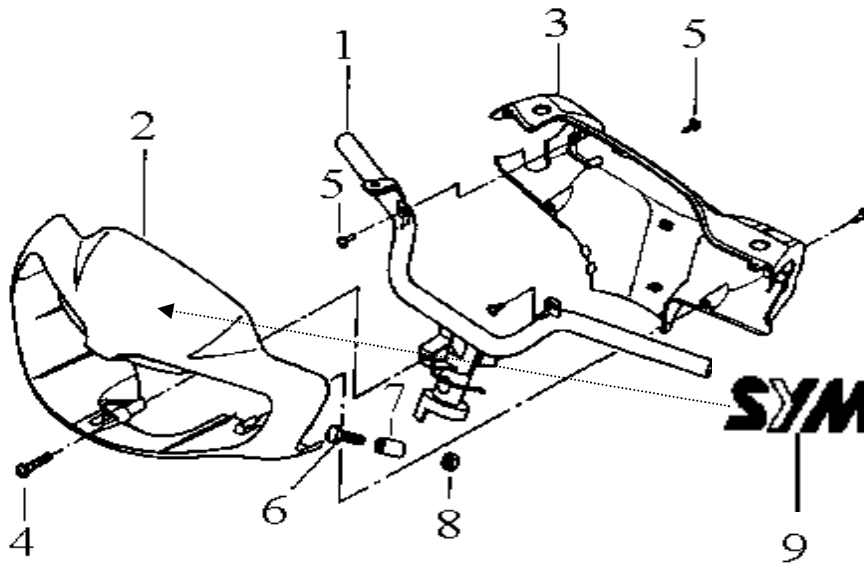


MODEL(S) H125D-6	CHANGE DATE	A P P L Y	Q T Y R E Q	PARTS NUMBER
BLOCK NO .A-2 DESCRIPTION				
25.Under. throt housing			1	53167-H09-000
26.UP. throt housing			1	53168-H09-000
27.Socket bolt 8×38			2	90185-T31-000
28.Socket bolt cap 8mm			2	88112-M9Q-000



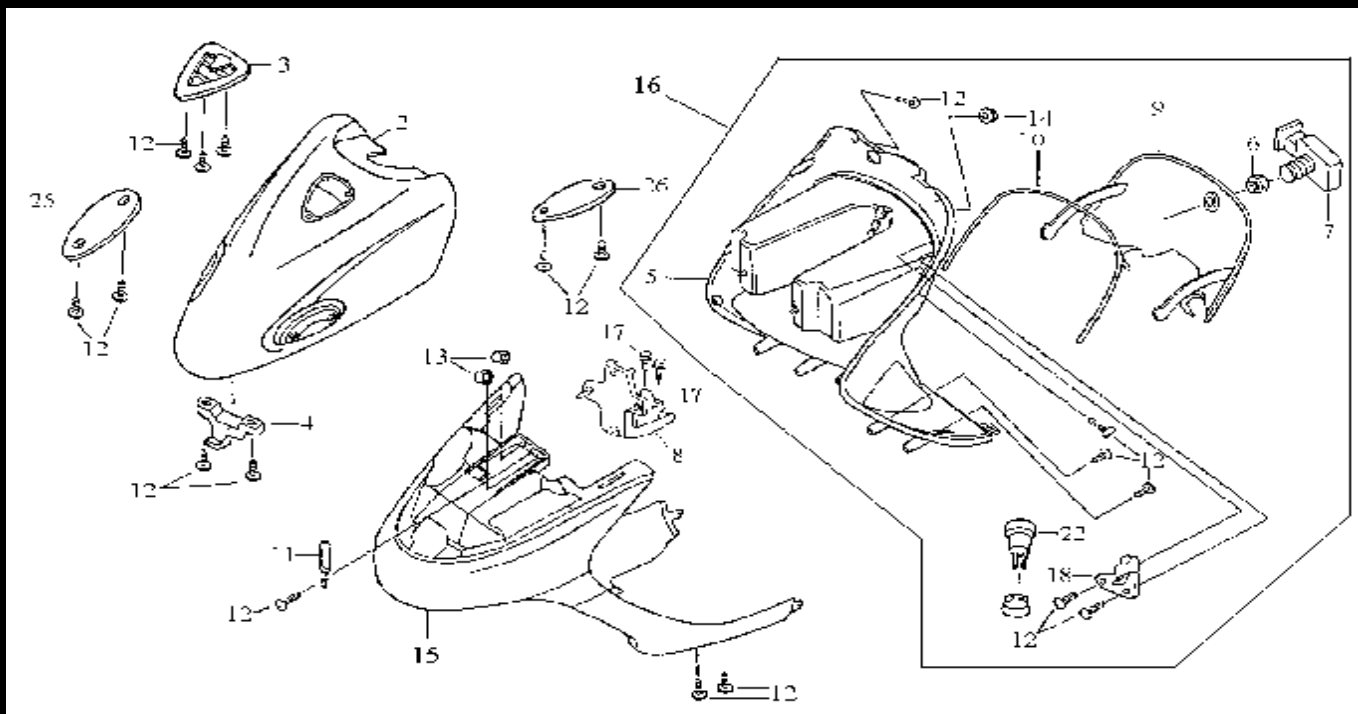


MODEL(S)	CHANGE DATE	A P P L Y	Q T Y R E Q	PARTS NUMBER
H125D-6				
DESCRIPTION	BLOCK NO .A-2			
1.FR. Stop switch ass'y			1	35340-M92-000
2.FR. brake hose ass'y			1	45126-H21-000
3.FR. cylinder ass'y			1	45500-H09-020
10.R. steering handle lever			1	53175-H09-020
11.Handle lever pivot bolt			1	90115-M9Q-000
12.Oil bolt 10x22	Jul./6.2000		2	90145-M9Q-000
13.Oil bolt washer	Jul./6.2000		4	90545-M9Q-000
15.Flat screw 4x12			2	93600-04012-1GF
16.Flange nut 6mm			1	94050-06000
17.Flange bolt 6x22			2	95900-06022-00
19.FR. caliper ass'y			1	45100-M9A-000
20.Flange bolt 8x32			2	90106-H21-000
21.Brake pad comp			2	45105-H13-000-AC
22.Front brake ass'y			1	4550A-M9A-000

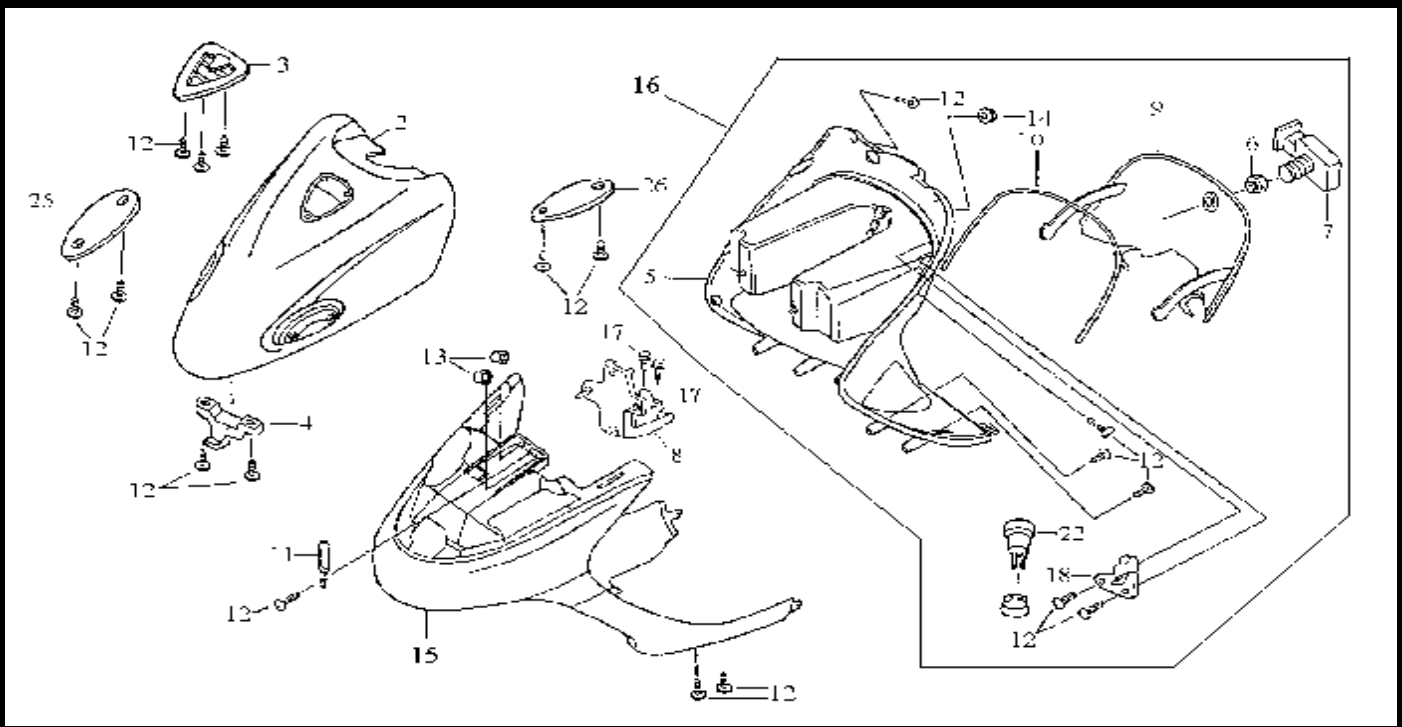


MODEL(S)	CHANGE DATE	A P P L Y	Q T Y R E Q	PARTS NUMBER
H125D-6				
DESCRIPTION	BLOCK NO. A-2			
1.Strg handle comp			1	53100-M9A-000
2.Fr. handle cover assy. (BK-0406S)			1	BLACK 5320A-H21-000-KV
Fr. handle cover assy. (BU-4035S)			1	BLUE 5320A-H21-000-CO
Fr. handle cover assy. (GN-4923S)			1	GREEN 5320A-H21-000-EG
Fr. handle cover assy. (S-880S)			1	SILVER 5320A-H21-000-SQ
Fr. handle cover assy. (BU-283S)			1	BLUE 5320A-H21-000-BJ
Fr. handle cover assy. (R-1543S)			1	RED 5320A-H21-000-HY
Fr. handle cover assy. (BN-1516P)			1	BROWN 5320A-H21-000-AE
3.RR. handle cover (GY-426U)			1	GRAY 53206-H12-000-GK
4.Washer screw 5×45			1	93891-05045-07
5.Tappig screw 4×12			4	93903-24320
6.Flange bolt 10×50			1	90106-M9Q-000
7.Handle setting collar			1	53125-M9Q-000
8.Nut u flange 10mm			1	90304-M9Q-000
9.Sym stripe(For BK/BL/G)			1	87123-G22-000-T1
Sym stripe(For S)			1	87123-G22-000-T2

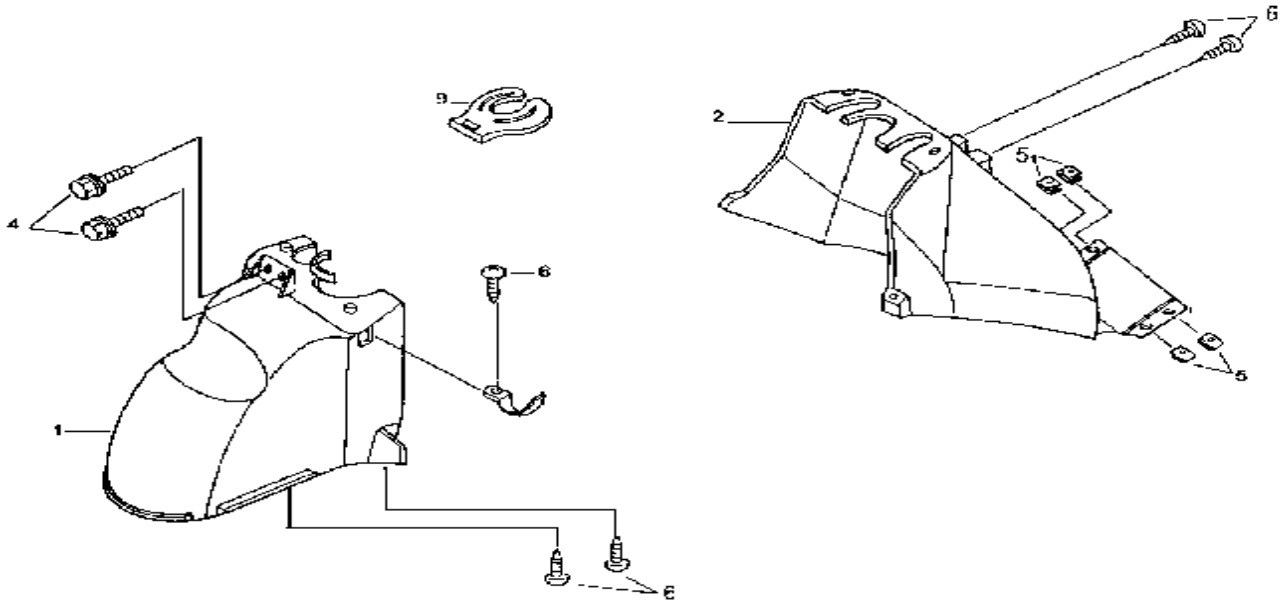




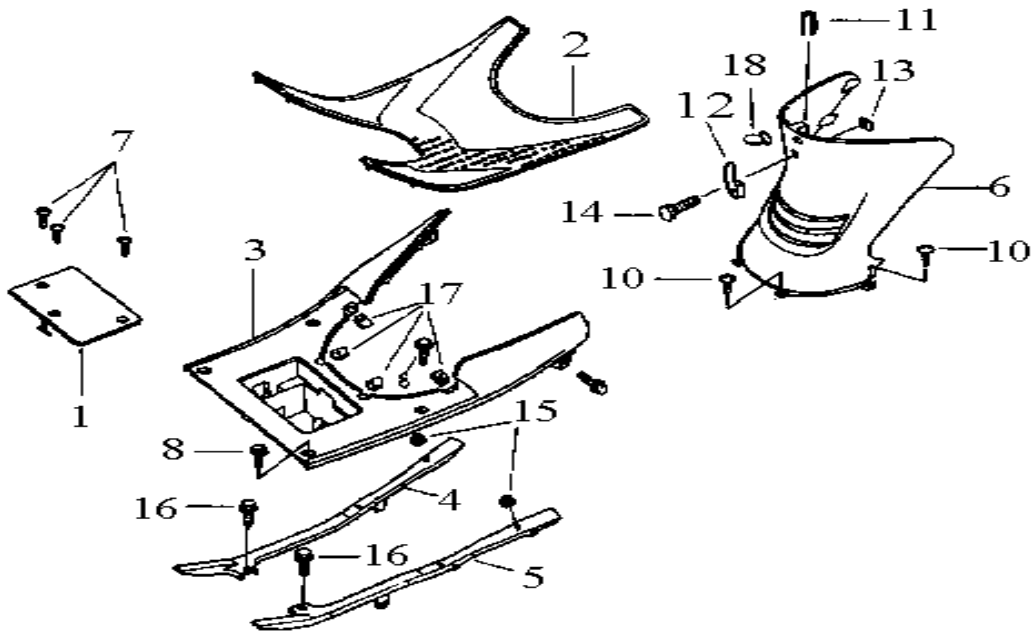
MODEL(S)	CHANGE DATE	A P P L Y	Q T Y R E Q	PARTS NUMBER	
H125D-6					
DESCRIPTION	BLOCK NO .A-2				
2.Fr. cover (BK-0406S)	Feb./5.2002	N	1	BLACK	64301-H17-000-KV
Fr. cover (BU-4035S)			1	BLUE	64301-H17-000-CO
Fr. cover (GN-4923S)			1	GREEN	64301-H17-000-EG
Fr. cover (S-880S)			1	SILVER	64301-H17-000-SQ
Fr. cover (BU-283S)			1	BLUE	64301-H17-000-BJ
Fr. cover (R-1543S)			1	RED	64301-H17-000-HY
Fr. cover (BN-1516P)			1	BROWN	64301-H17-000-AE
3.FR. cover lid			1		6430F-H18-000
					6430F-M9A-000
4.FR. cover stay			1		64305-H12-000
5.Inner box (GY-426U)			1	GRAY	64304-H21-010-GK
6.Lock key set spring			1		75581-A16-000
7.Inner box lock assy			1		77233-GY6-900
8.Fr. Fender stay			1		50315-H17-000
9.Inner box lid (GY-426U)			1	GRAY	64308-H12-010-GK
10.Rubber seal A			1		81146-H12-000
11.Clip 2×100			1		94591-21000
12.Tapping screw 4×12			26		93903-24320
13.Flange nut 6mm	2		94050-06070		
14.Flange cap nut 6mm	2		90302-GR1-830		
15.FR. fender ass'y (GY-426U)	1	GRAY	6110A-H23-000-GK		
16.Inner box ass'y	1		6430A-M9A-000-GK		



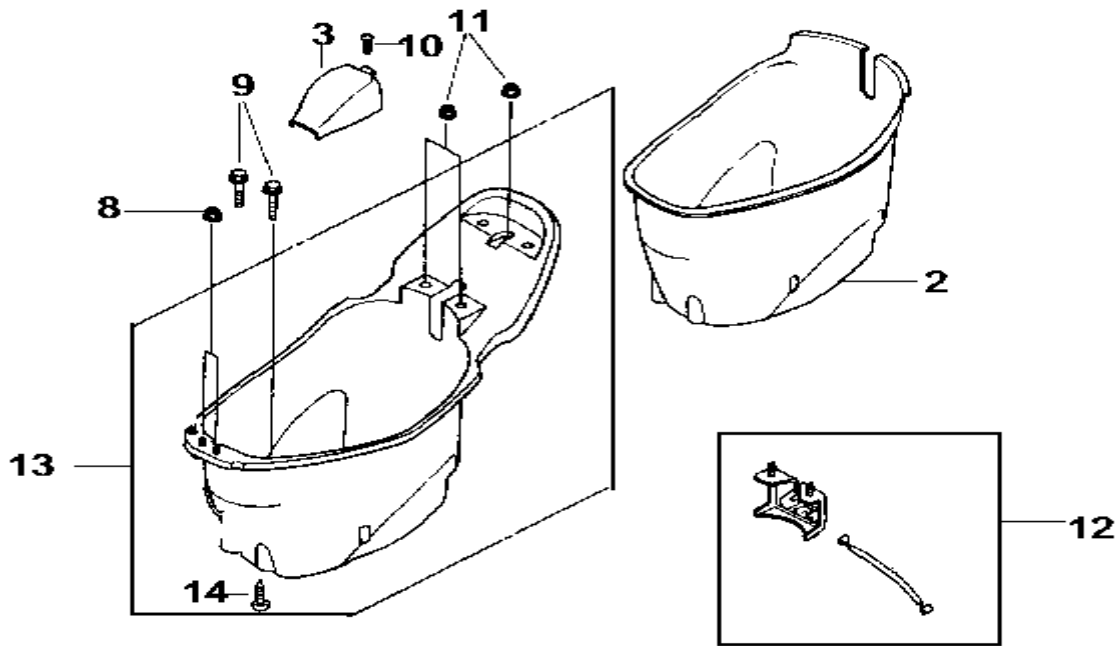
MODEL(S) H125D-6	CHANGE DATE	A P P L Y	Q T Y R E Q	
BLOCK NO .A-1 DESCRIPTION				PARTS NUMBER
17.Flange bolt 6x12			2	95701-06012-08
22.Winker realy ass'y			1	38300-M34-010
25.RH. position lens			1	38301-A31-000
26.LH. position lens			1	33145-H17-000



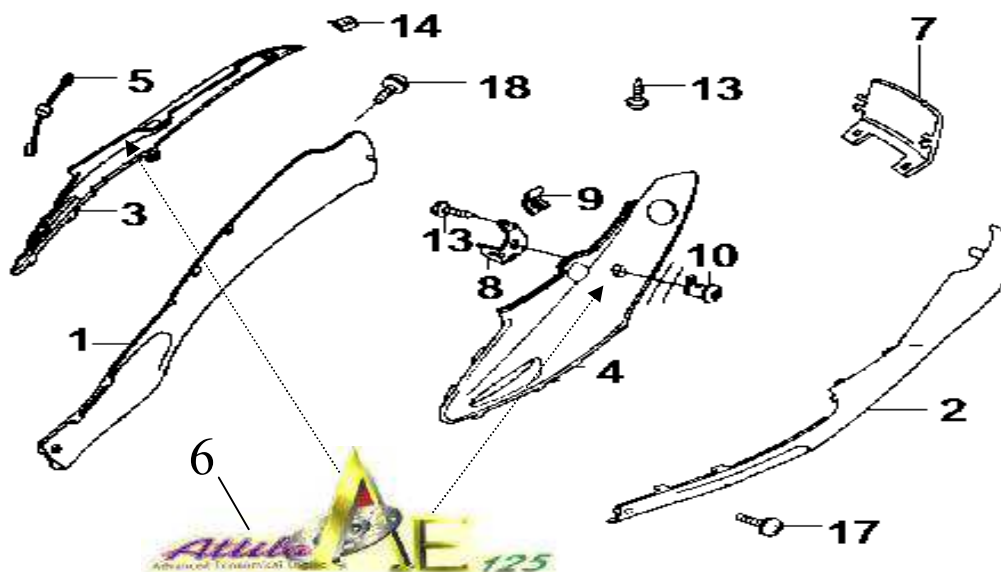
MODEL(S) H125D-6	CHANGE DATE	A P P L Y	Q T Y R E Q	
BLOCK NO .A-1 DESCRIPTION				PARTS NUMBER
1.FR. inner fender A. (BK-001U)			1	BLACK 61101-H21-000-KA
2.FR. inner fender B. (BK-001U)			1	BLACK 61102-H21-000-KA
4.Flange bolt 6mm			2	90111-162-000B
5.Spring nut 4mm			4	90302-V02-000
6.Tapping screw 4×12			5	93903-24320
9.FR. splash board			1	61106-H21-000



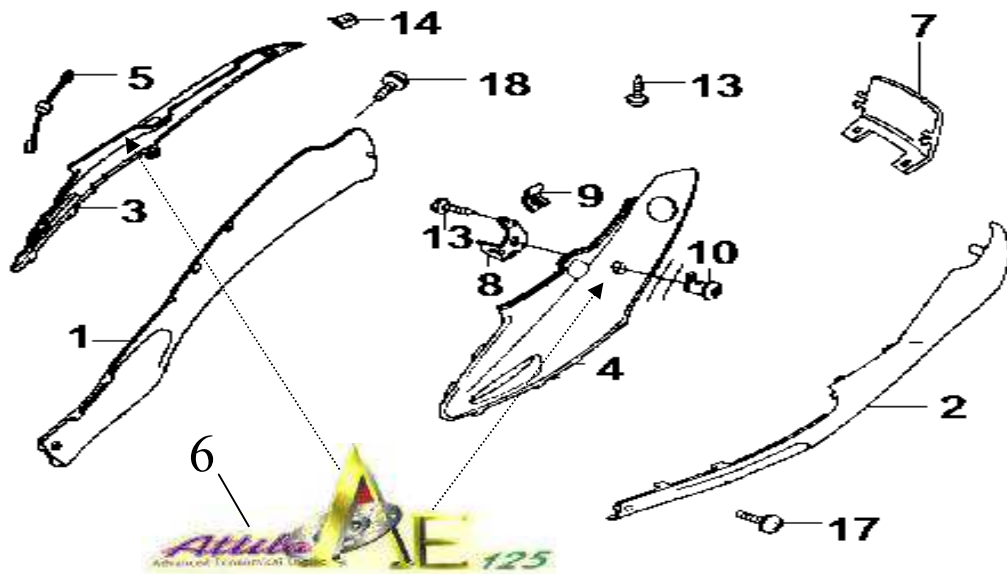
MODEL(S)	CHANGE DATE	A P P L Y	Q T Y R E Q	PARTS NUMBER
H125D-6				
BLOCK NO .A-2				
DESCRIPTION				
1.Battery cover (GY-426U)			1	GRAY 50326-M9Q-000-GK
2.Floor mate (GY-426U)			1	GRAY 64320-H12-000-GK
3.Floor panel (GY-426U)			1	GRAY 64310-H12-000-GK
4.R rnftc floor comp.			1	50620-M92-000
5.L rnftc floor comp.			1	50621-M92-000
6.Center cover (GY-426U)			1	GRAY 80152-H12-000-GK
7.Tapping screw 5×12			3	93903-25220
8.Flange bolt 6mm			4	90111-147-000
10.Tapping screw 4×12			4	93903-24320
11.Clip nut 6mm			1	90305-M9Q-000
12.Helmet hook (GY-426U)			1	GRAY 81132-H12-000-GK
13.Helmet hook bekt			1	(False) 77107-H12-000
	Oct./11.2000	N	1	(Correct) 77107-G02-000
14.Bolt 6×16			1	90115-G02-000
15.Flange nut 6mm			2	94050-06080
16.Flange bolt 6×12			2	95701-06012-08
17.Spring nut 4mm			4	90302-V02-000
18.Luggage stopper			1	81133-H12-000



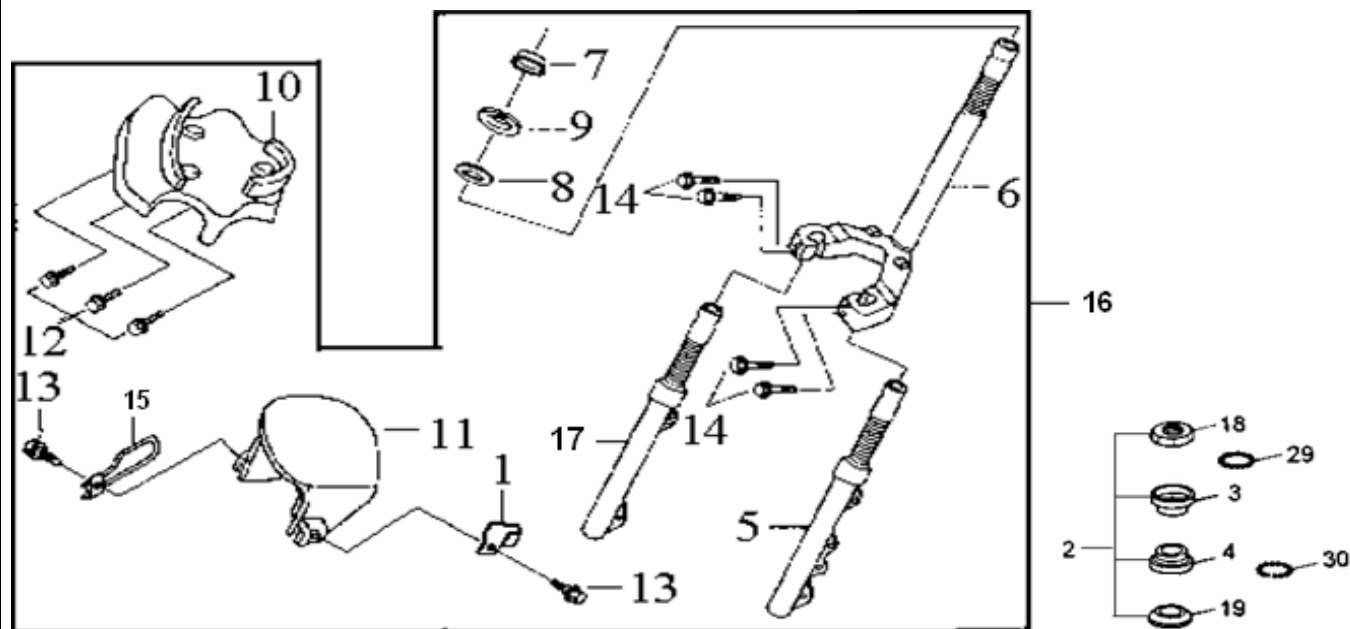
MODEL(S) H125D-6		A P P L Y	Q T Y R E Q	
BLOCK NO .A-1 DESCRIPTION	CHANGE DATE			PARTS NUMBER
2.Luggage box mat			1	83630-M53-000
3.Battery cover(BK-001U)			1	81251-GY6-920
8.Flange nut 6mm			1	94050-06080
9.Flange bolt 6mm			2	90111-162-000B
10.Special screw 6×17			1	90381-GZ5-000
11.Open stay nut 6mm			3	90301-M9Q-900
12.Seat catch ass'y			1	7723A-M9Q-000
13.Luggage box ass'y			1	8126A-M9A-000
14.Tapping screw 4×10			1	93903-44220



MODEL(S) H125D-6	CHANGE DATE	A P P L Y	Q T Y R E Q	
BLOCK NO .A-1 DESCRIPTION				PARTS NUMBER
1.RH. side cover (GY-426U)			1	GRAY 83501-H13-000-GK
2.LH. side cover (GY-426U)			1	GRAY 83601-H13-000-GK
3.R. body cover assy. (BK-0406S)			1	BLACK 8350G-H2F-000-KV1
R. body cover assy. (BU-4035S)			1	BLUE 8350G-H2F-000-CO1
R. body cover assy. (GN-4923S)			1	GREEN 8350G-H2F-000-EG1
R. body cover assy. (S-880S)			1	SILVER 8350G-H2F-000-SQ
R. body cover assy. (BK-0406S)			1	BLACK 8350G-M9A-000-KV
R. body cover assy. (BK-0406S)			1	BLACK 8350G-M9A-900-KV
R. body cover assy. (BU-283S)			1	BLUE 8350G-M9A-000-BJ
R. body cover assy. (BU-283S)			1	BLUE 8350G-M9A-900-BJ
R. body cover assy. (R-1543S)			1	RED 8350G-M9A-000-HY
R. body cover assy. (R-1543S)			1	RED 8350G-M9A-900-HY
R. body cover assy. (S-880S)			1	SILVER 8350G-M9A-000-SQ
R. body cover assy. (S-880S)			1	SILVER 8350G-M9A-900-SQ
R. body cover assy. (BN-1516P)			1	BROWN 8350G-M9A-000-AE
R. body cover assy. (BN-1516P)			1	BROWN 8350G-M9A-900-AE
4.L. body cover assy. (BK-0406S)			1	BLACK 8360G-H2F-000-KV1
L. body cover assy. (BK-0406S)			1	BLACK 8360G-H2F-000-KV
L. body cover assy. (BU-4035S)			1	BLUE 8360G-H2F-000-CO1
L. body cover assy. (BU-4035S)			1	BLUE 8360G-H2F-000-CO
L. body cover assy. (GN-4923S)			1	GREEN 8360G-H2F-000-EG1
L. body cover assy. (GN-4923S)			1	GREEN 8360G-H2F-000-EG
L. body cover assy. (S-880S)			1	SILVER 8360G-H2F-000-SQ

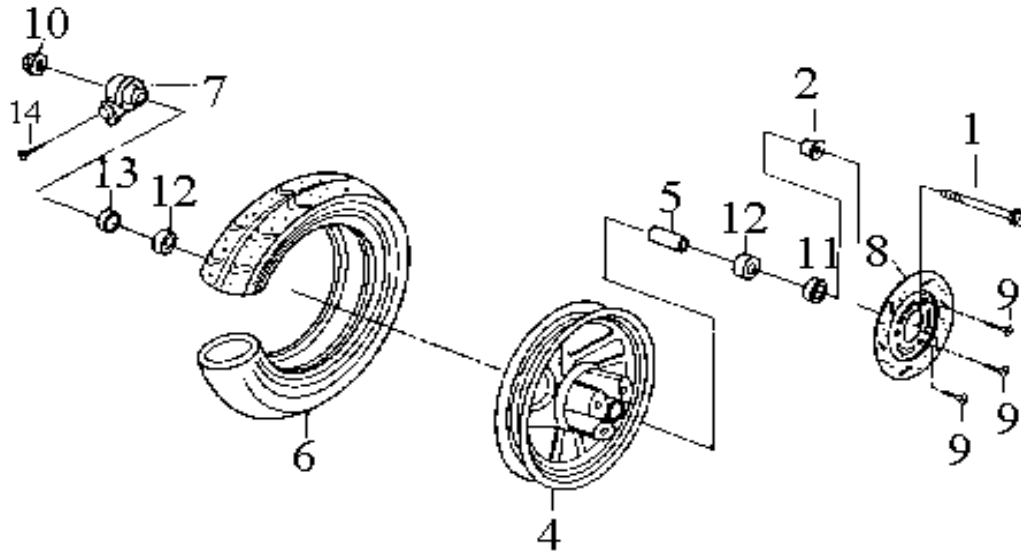


MODEL(S)	CHANGE DATE	A P P L Y	Q T Y R E Q	PARTS NUMBER
H125D-6				
DESCRIPTION	BLOCK NO .A-1			
L. body cover assy. (BK-0406S)			1	BLACK 8360G-M9A-000-KV
L. body cover assy. (BK-0406S)			1	BLACK 8360G-M9A-000-KV
L. body cover assy. (BU-283S)			1	BLUE 8360G-M9A-000-BJ
L. body cover assy. (BU-283S)			1	BLUE 8360G-M9A-000-BJ
L. body cover assy. (R-1543S)			1	RED 8360G-M9A-000-HY
L. body cover assy. (R-1543S)			1	RED 8360G-M9A-000-HY
L. body cover assy. (S-880S)			1	SILVER 8360G-M9A-000-SQ
L. body cover assy. (S-880S)			1	SILVER 8360G-M9A-000-SQ
L. body cover assy. (BN-1516P)			1	BROWN 8360G-M9A-000-AE
L. body cover assy. (BN-1516P)			1	BROWN 8360G-M9A-000-AE
5.Sub cord comp			1	33735-H12-010
6.Body cover stripe			2	87126-H2F-000
7.RR. Center cover (GY-426U)			1	GRAY 83751-H13-000-GK
8.Seat lock stay			1	77232-H12-010
9.Lock key set spring			1	75581-M9Q-000
10.Seay lock			1	77239-M9Q-0000
13.Tapping screw 4×10			4	93903-24220
14.Spring nut 4mm			1	90302-V02-000
17.Washer screw 5×12			2	90118-T15-000
18.Tapping screw 4×12			2	93903-24320

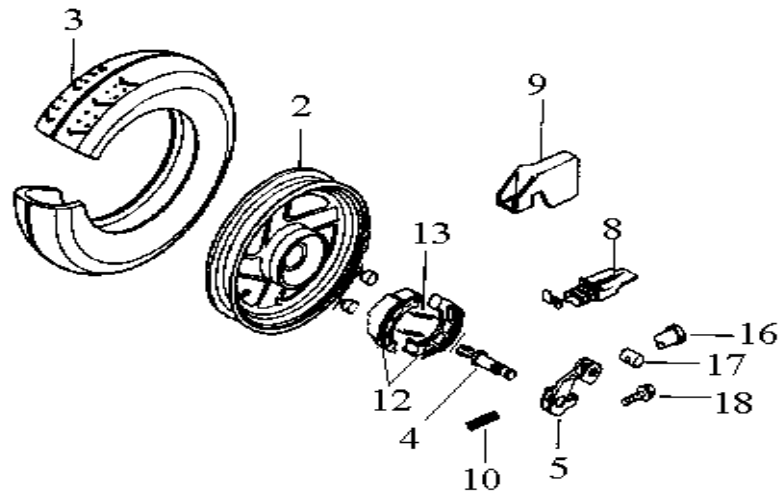


MODEL(S)
H125D-6

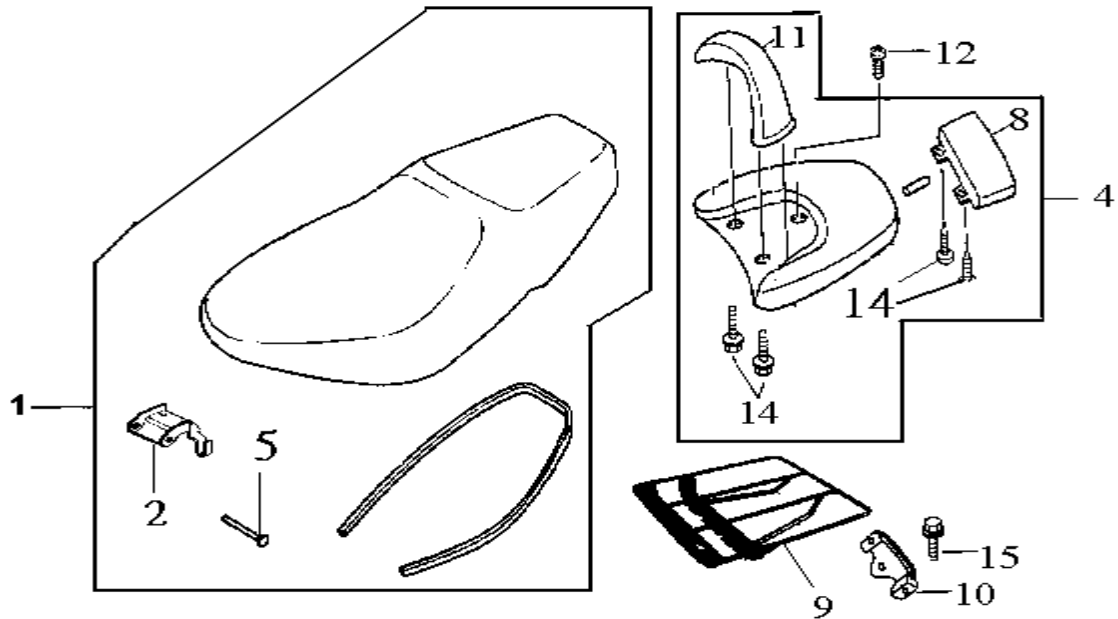
		CHANGE DATE	A P P L Y	Q T Y R E Q
CODICE	DESCRIZIONE			
1	45156-T15-000 Fr. brake hose clamber			1
2	50300-KV7-000 SERIE STERZO			1
3	50301-M9Q-000 PISTA STERZO SUPERIORE			1
4	53212-250-010 CALOTTA STERZO INFERIORE			1
5	5150A-H21-012 L. FR. cushion ass'y	22/05/2003		1
6	53200-M91-000 Steering stem comp.			1
7	53211-M9Q-000 Cone race (strg. botom)			1
8	53214-M9Q-000 Strg. dust seal			1
9	53215-M9Q-000 Strg. head dust seat washer			1
10	61110-H21-000 FR. mudguard			1
11	61140-H21-000 FR. down fender			1
12	90111-M9Q-900 Flange bolt 6mm			3
13	93404-06016-08 Flange washer bolt 6x16			2
14	95801-08040-08 Flange bolt 8x40			4
15	45465-H22-000 Cable guide clamp			1
16	5110A-M91-900 FR. fork ass'y			1
17	51400-H01-900 R. FR. cushion ass'y			1
18	53211-GC8-003 CALOTTA STERZO SUPERIORE			1
19	50302-M9Q-000 PISTA DI STERZO INFERIORE			1
29	96211-05000 SFERA 5			20
30	96211-08000 SFERA 8 mm			20



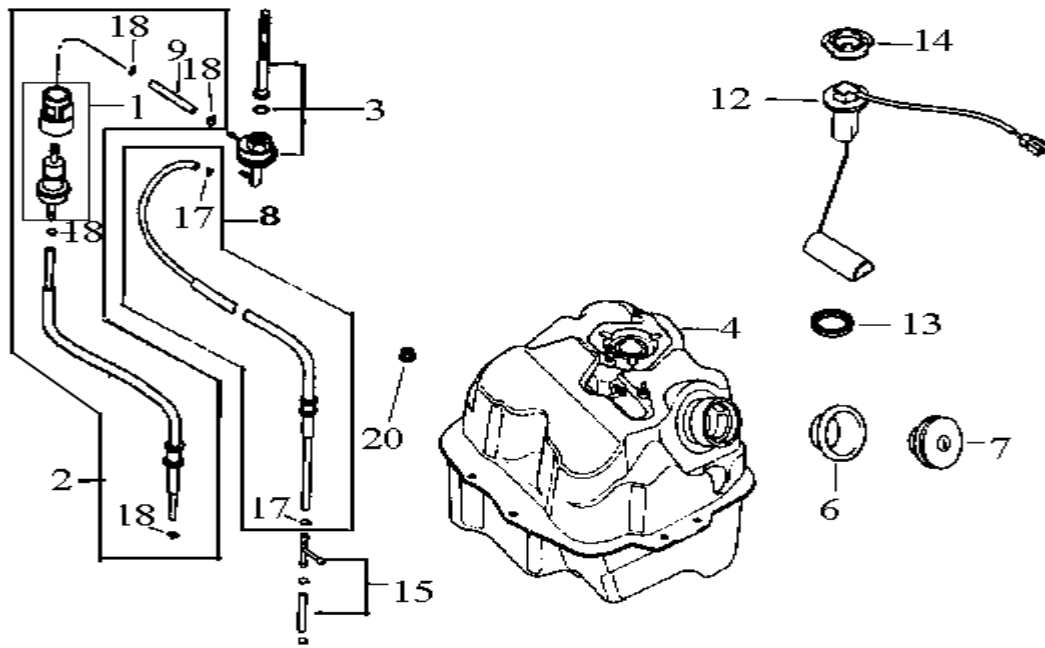
MODEL(S)		A	Q	
H125D-6		P	T	
BLOCK NO .A-2	CHANGE	L	R	
	DATE	Y	E	
DESCRIPTION			Q	PARTS NUMBER
1.FR. wheel axle			1	44301-H21-000
2.FR. wheel side collar			1	44311-H21-000
4.FR. wheel hub comp (GY-1406S)			1	GRAY 44601-H23-000-GR
5.FR. axle distance collar			1	44620-H21-000
6.Tubless tire 350×10			1	42710-GY6-000
7.Spdmt. gear box ass'y			1	(1T0135108-308) 44800-H21-000
8.FR. brake disk			1	45121-M9Q-000
FR. brake disk	Sep./29.2000	Y	1	<i>(Revised)</i> 45121-M9Q-003
9.FR. disk bolt 8×51			3	90106-H09-000
10.Nut U flange 12mm			1	90306-GW0-901-M1
11.Dust seal 20×32×5			1	90754-M9Q-000-M2
12.Radial ball brg. 6201U(NTN)			2	90912-M9Q-000-M1
13.Seal spdmt. gear box			1	91258-M9Q-000-M2
14.Oval screw 5×18			1	93700-05018-0A



MODEL(S) H125D-6		A P P L Y	Q T Y R E Q	
BLOCK NO .A-1 DESCRIPTION	CHANGE DATE			PARTS NUMBER
2.RR wheel hub comp (GY-1406S)			1	GRAY 42601-H2H-000-GR
3.Tubless tire 350×10			1	42710-GY6-000 (1T0135108-308)
4.RR. brk. Cam ass'y			1	4314A-M92-000
5.RR. brake cam comp			1	43410-M92-000
8.RR. brk arm cover ass'y			1	43415-M92-000
9.RR. brk arm guard			1	43416-GY6-900
10.Spg RR. brk arm			1	43472-M92-000
12.RR. Brake shoe			2	43120-M9A-000
13.Brake shoe spg			2	45133-M9Q-000
16.Brake arm joint B			1	95015-32001
17.Adj nut b			1	95015-42000
18.Flange bolt 6×32			1	95701-06032-00

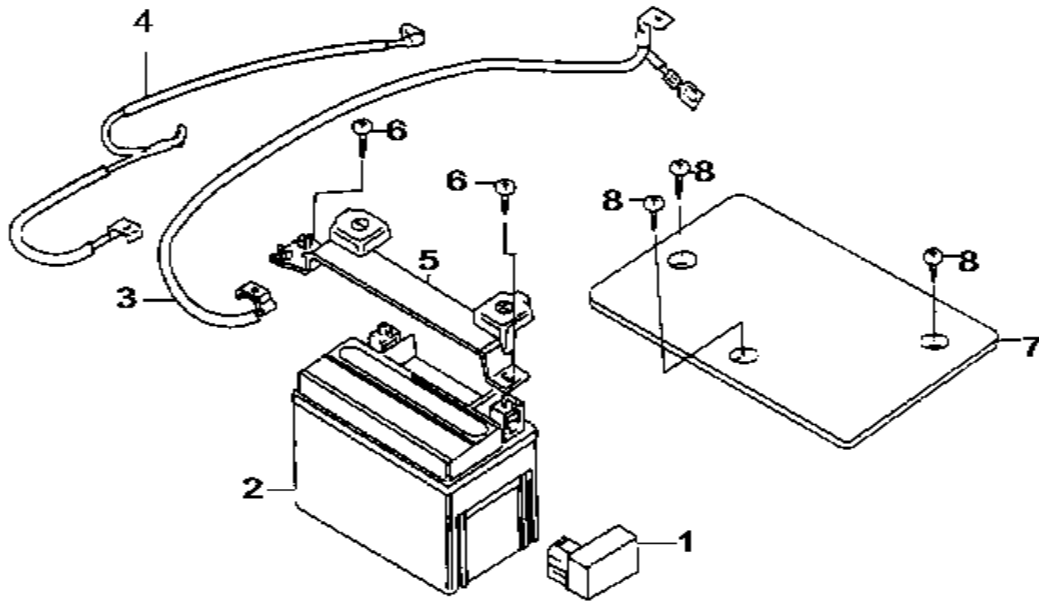


MODEL(S)		A	Q	
H125D-6		P	T	
BLOCK NO .A-3	CHANGE DATE	L	R	
DESCRIPTION		Y	E	PARTS NUMBER
		Q	Q	
1.Double seat ass'y			1	77100-H13-800
2.Helmet hook brkt.	Oct./11.2000	N	1	77107-H12-000
4.RR. carrier set (BK-0406S)			1	BLACK 8120A-M92-000-KV
RR. carrier set (BU-4035S)			1	BLUE 8120A-M92-000-CO
RR. carrier set (GN-4923S)			1	GREEN 8120A-M92-000-EG
RR. carrier set (S-880S)			1	SILVER 8120A-M92-000-SQ
RR. carrier set (BU-283S)			1	BLUE 8120A-M92-000-BJ
RR. carrier set (R-1543S)			1	RED 8120A-M92-000-HY
RR. carrier set (BN-1516P)			1	BROWN 8120A-M92-000-AE
5.Seat hinge pin	Jul./6.2000		1	90105-M9Q-000
8.Stop light ass'y			1	33730-H13-000
9.Luggage carrier			1	81201-H13-000
10.RR. carrier stay			1	81212-H13-000
12.Special bolt 8mm			3	90105-KBN-900
13.Screw tapping 4×12			6	93903-24320
14.Screw washer	Jul./6.2000		4	93891-05016-08
15.Flange bolt 8×12			2	95801-08012-08

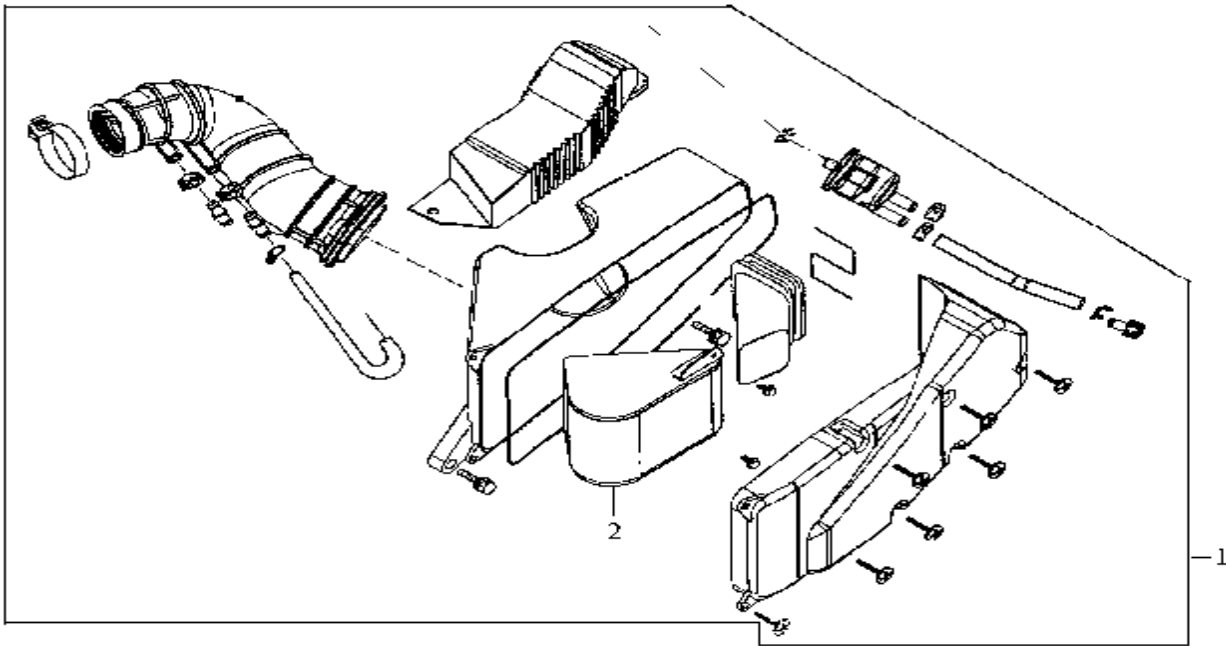


MODEL(S) H125D-6		A P P L Y	Q T Y R E Q	
BLOCK NO. .A-1 DESCRIPTION	CHANGE DATE			PARTS NUMBER
1.Cock carb. Tube ass'y			1	16905-M9Q-000
2.Fuel strainer ass'y			1	1691A-M92-000
3.Fuel cock ass'y			1	16950-M9Q-000
4.Fuel tank comp			1	17500-M9A-000
6.Fuel tank cap rubber			1	17509-H12-000
7.Fuel filler cap comp			1	17620-M62-000
8.Vaccum tube ass'y			1	1768A-M92-000
12.Fuel unit			1	37800-M92-000
13.Base packing			1	37801-M9Q-000
14.Ret fuel unit			1	37802-M9Q-000
15.3 way joint ass'y			1	3877A-V02-000
17.Tube clip b7			4	95002-02070
18.Tube clip b8			4	95002-02080
20.Flange nut 6mm			4	94050-06080

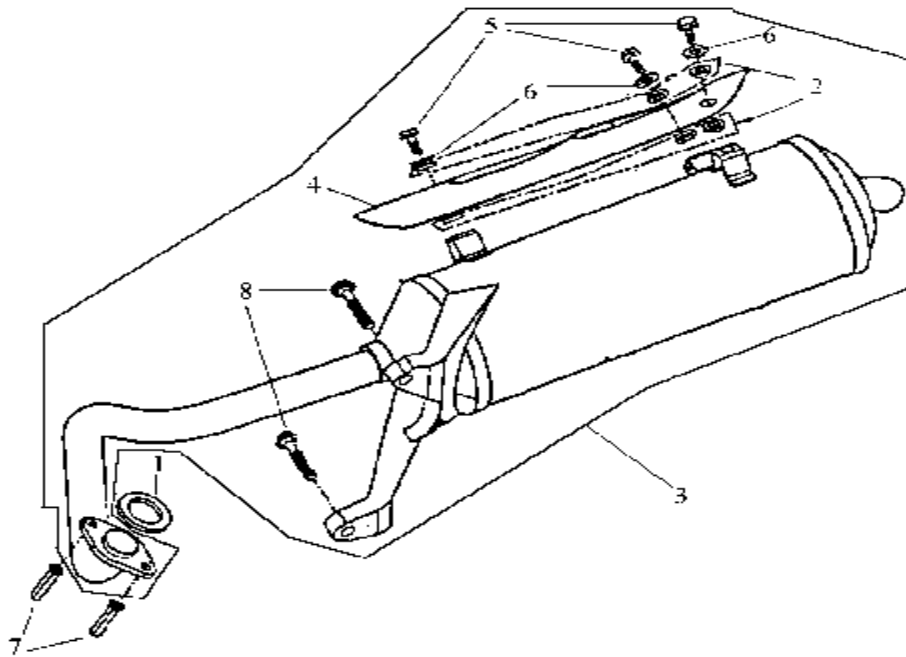




MODEL(S) H125D-6		A P P L Y	Q T Y R E Q	
BLOCK NO .A-1 DESCRIPTION	CHANGE DATE			PARTS NUMBER
1.Cdi unit comp 2.Battery (YTX7A-BS) 3.Cable battery 4.Cable earth 5.Battery band assy 6.Tapping screw 4×12 7.Battery cover (GY-426U) 8.Tapping screw 5×12			1 1 1 1 1 2 1 3	30410-M70-000 31500-GY6-910 32411-M92-000 32412-M92-000 5032A-M9Q-000 93903-44380 50326-GY6-900-GK 93903-25320

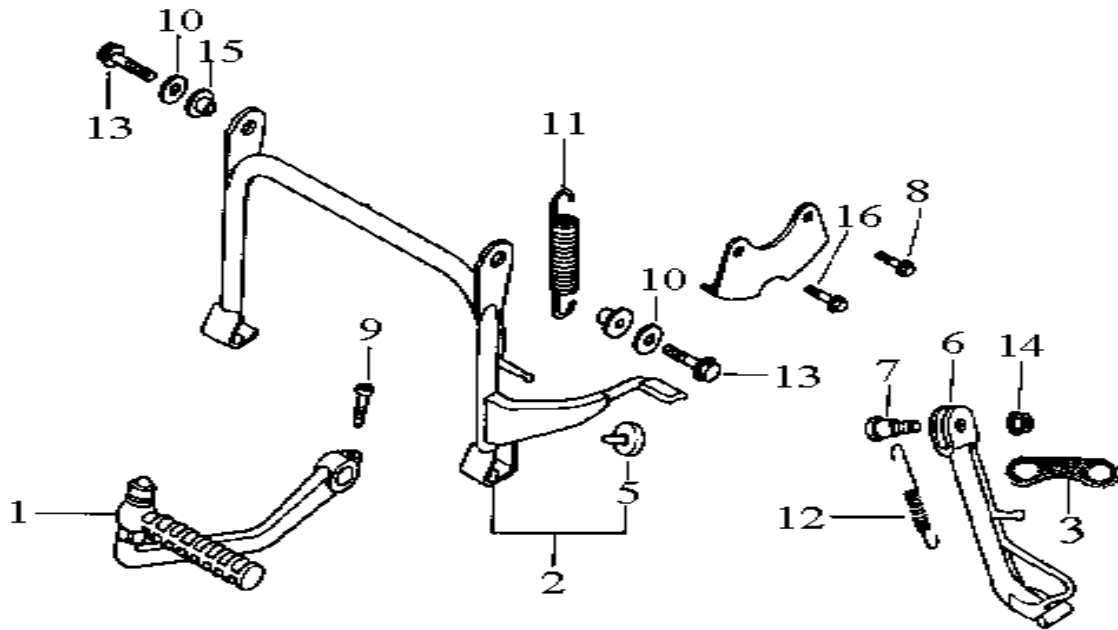


MODEL(S) H125D-6		A P P L Y	Q T Y R E Q	
BLOCK NO .A-1 DESCRIPTION	CHANGE DATE			PARTS NUMBER
1.Air/c assy 2.Air/c element comp			1 1	17200-M9A-000 17211-GY6-920-G

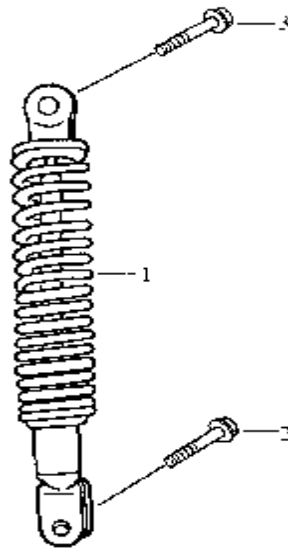


MODEL(S) H125D-6		A P P L Y	Q T Y R E Q	
BLOCK NO .A-1 DESCRIPTION	CHANGE DATE			PARTS NUMBER
1.Ex pipe gasket 2.Protector packing 3.Muffler assy 4.Muffler protector 5.Flange sh bolt 6x12 6.Plain washer 6mm 7.Cap nut (hex) 6m 8.Flange bolt 8×38			1 2 1 1 3 3 2 2	18291-M9A-000 18293-H12-000 18000-M9A-000 18318-H12-000 90103-V02-000 90107-V02-000 90301-M9Q-000 95801-08038-07

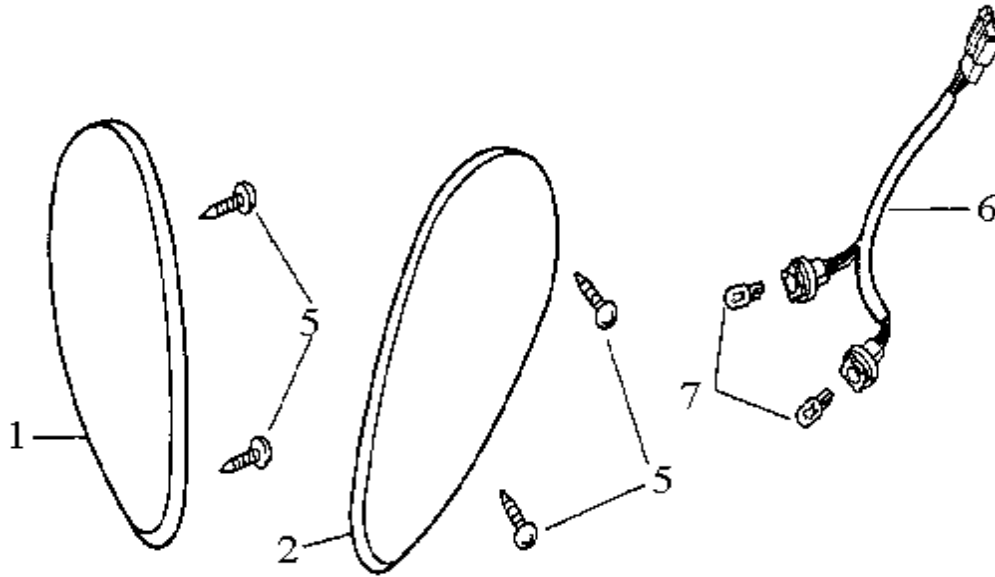




MODEL(S) H125D-6		A P P L Y	Q T Y R E Q	
BLOCK NO. .A-1 DESCRIPTION	CHANGE DATE			PARTS NUMBER
1.Kick starter arm ass'y			1	28300-M92-000
2.Main stand ass'y			1	5050A-M92-000
3.Spring plate hook			1	50542-M70-000
5.Stand stopper bubber			1	50505-M92-010
6.Side stand comp			1	50530-M70-000
7.Side stand screw			1	90108-M9Q-000
8.Flange bolt 6×50			1	96001-06050-00
9.Hex bolt 6×22			1	92201-06022-0G
10.Plain washer 10mm			2	94101-10700
11.Main stand spring			1	95014-71402
12.Side stand spring			1	95014-72204
13.Flange bolt 10×25			2	95801-10025-07
14.Nut u glange 8mm			1	90309-KF0-003
15.Main stand collar			1	50503-GY6-900
16.Flange bolt 6×12			1	96001-06012-00

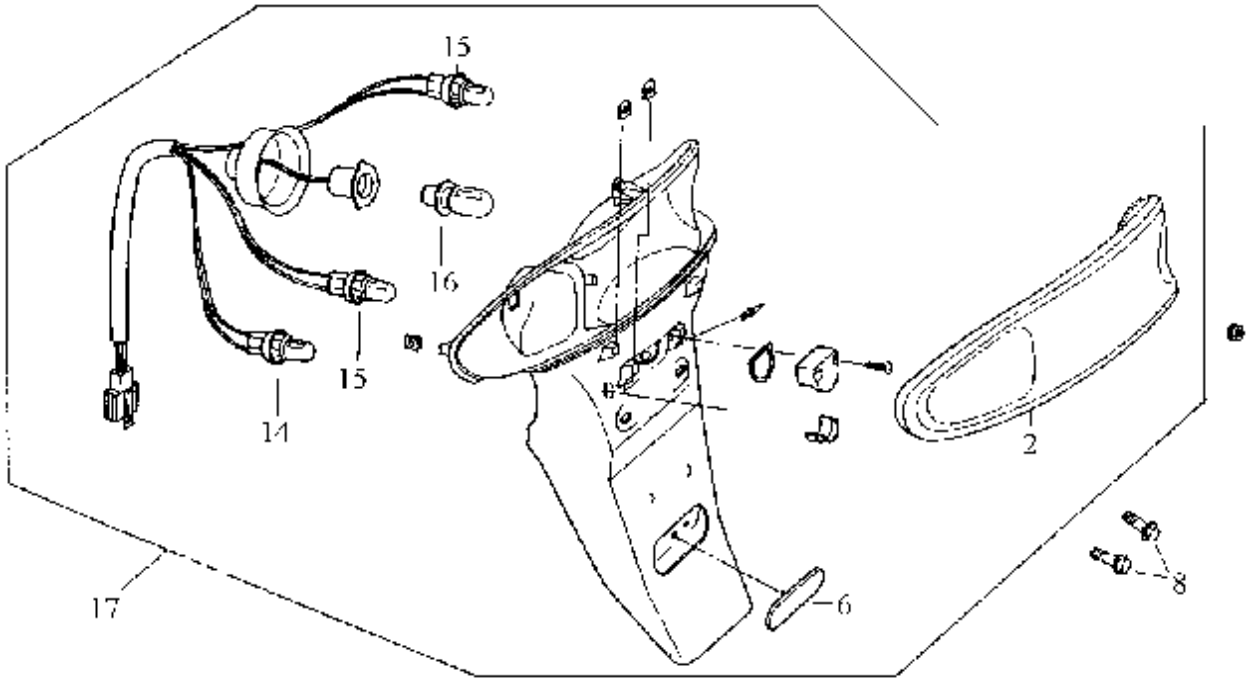


MODEL(S) H125D-6		A P P L Y	Q T Y R E Q	
BLOCK NO .A-1 DESCRIPTION	CHANGE DATE			PARTS NUMBER
1.Rr cushion ass'y 2.Hex bolt 8×38 3.Flange bolt 10×35			1 1 1	52400-M92-000 93201-08032-0A 95801-10035-08

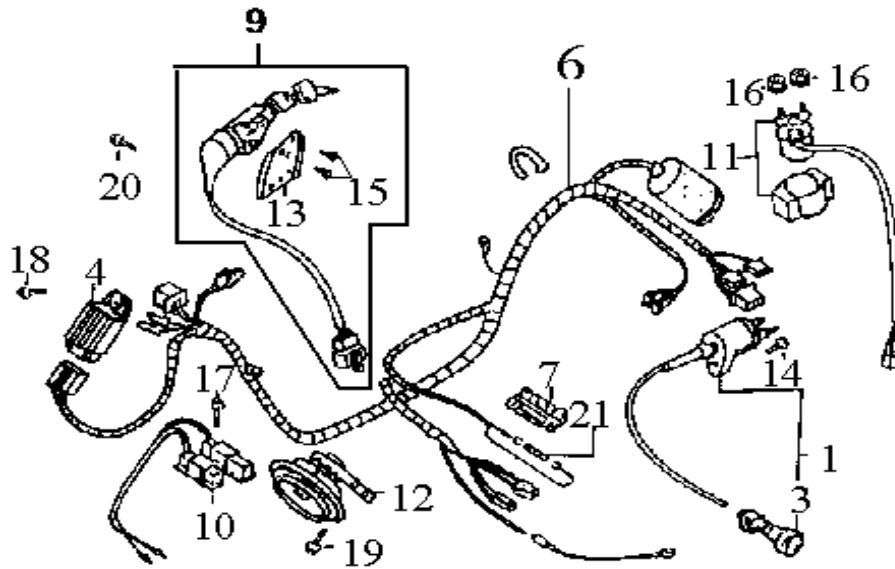


MODEL(S) H125D-6		A P P L Y	Q T Y R E Q	
BLOCK NO .A-1 DESCRIPTION	CHANGE DATE			PARTS NUMBER
1.Rh. position lens			1	33145-H17-000
2.Lh. position lens			1	33245-H17-000
5.Tapping screw 4×10			4	93903-24320
6.R/L position socket			1	33410-H13-000
7.Bulb position lamp			2	34903-GY6-631



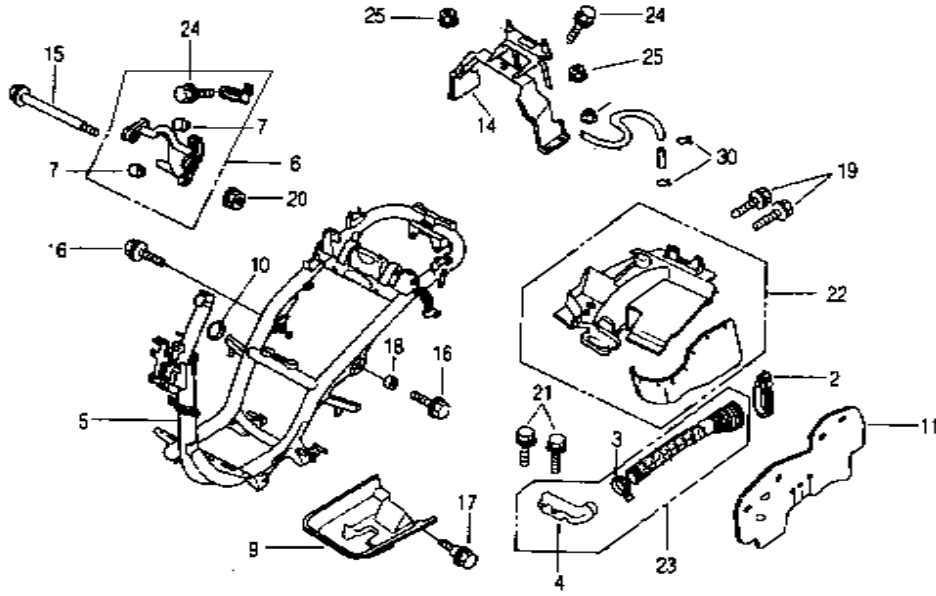


MODEL(S) H125D-6		A P P L Y	Q T Y R E Q	
BLOCK NO .A-2 DESCRIPTION	CHANGE DATE			PARTS NUMBER
2.Tail light lens comp	Jul./24.2000	N	1	33702-H13-000
6.Reflex reflector	Jul./24.2000	N	1	(REVISED) 33702-M9A-000
8.Flange bolt 6mm	Jul./24.2000	N	1	33741-M92-000
11.Plain washer 6mm			2	(REVISED) 33741-M9A-000
12.Flange not 6mm			1	90111-162-000A
14.Bulb, winker (12V-10W)			1	94111-06800
15.Bulb, wedge base (12V-3.4W)			1	94050-06080
16.Bulb, tail light (12V-18/5W)			1	34905-GM9-003
17.Tail light ass'y			1	34908-GA7-701
				34906-268-600
				33700-M9A-010

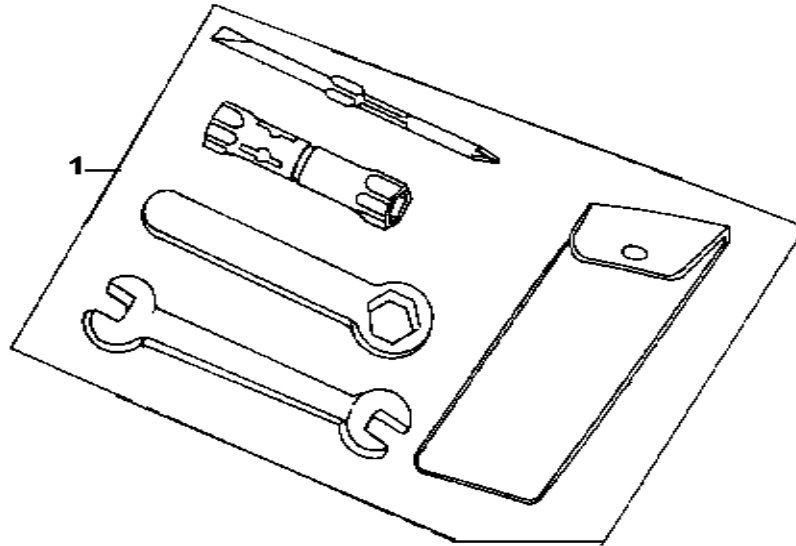


MODEL(S)	CHANGE DATE	A P P L Y	Q T Y R E Q	PARTS NUMBER
H125D-6				
DESCRIPTION	BLOCK NO .A-1			
1.Lgn. coil assy			1	3051A-M92-000
3.Cap assy noise suppressor			1	30700-M92-000
4.REG. REC. comp.			1	31600-A31-000
6.Wire harness			1	32100-M9A-000
7.Case 7A fuse			1	32120-M9Q-000
8.Key set.(Fuel filler cap+Main switch mner box lock+Seat lock)			1	35010-M9A-000
9.Main switch assy			1	35100-M9A-000
10.Resistor comp			1	35400-M92-000
11.Set start mag			1	35850-M92-000
12.Horn comp			1	38110-M9A-000
13.Plate handle lock			1	53129-H12-000
14.Bolt hex 5×20			1	92101-05020-0A
15.Screw plat U nut			2	90164-028-000
16.Flange nut 6mm			2	94050-06080
17.Flange bolt 6×12			2	95701-06012-08
18.Flange bolt 6×14			2	95701-06014-08
19.Flange bolt 6×12			1	95701-06012-00
20.Flange bolt 6×16			2	95701-06016-00
21.Fuse A (7A)			1	98200-10700





MODEL(S)		A	Q	
H125D-6		P	T	
BLOCK NO .A-1	CHANGE	L	R	
	DATE	Y	E	
DESCRIPTION			Q	PARTS NUMBER
2.L cover duct band			1	11346-M9Q-000
3.Air/c duct band			1	17242-GM6-000
4.Air/c chamber			1	19400-GY6-000
5.Frame body comp.			1	50100-M9A-000
6.Eng. hanger ass'y			1	50350-M92-010
7.Stopper rubber			2	50352-GY6-900
9.Under cover			1	50613-M9Q-000
10.Pipe end cap			1	64307-M9Q-800
11.Splash board plate			1	80102-M9Q-000
14.Luggage box brkt ass'y			1	8127A-M92-000
15.Flange bolt 10×184			1	90105-GY6-900
16.Flange bolt 10×35			2	90106-GY6-900
17.Flange bolt 6mm			4	90111-162-000A
18.Collab distance			1	90121-GY6-900
19.Flange bolt 6×12			2	95701-06012-08
20.Not u flange 10mm			1	90304-GW0-901-M1
21.Tapping screw 5×16			2	93903-25320
22.Rr. inner fender ass'y			1	8010A-M92-000
23.Air chamber ass'y			1	1940A-V02-000
24.Flange bolt 6×12			3	95701-06012-08
25.Flange nut 6mm			4	94050-06080
30.Tube clip D12.5			2	95002-41250-00



MODEL(S) H125D-6		A P P L Y	Q T Y R E Q	
BLOCK NO .A-1 DESCRIPTION	CHANGE DATE			PARTS NUMBER
1.Tool set			1	89010-M92-000

