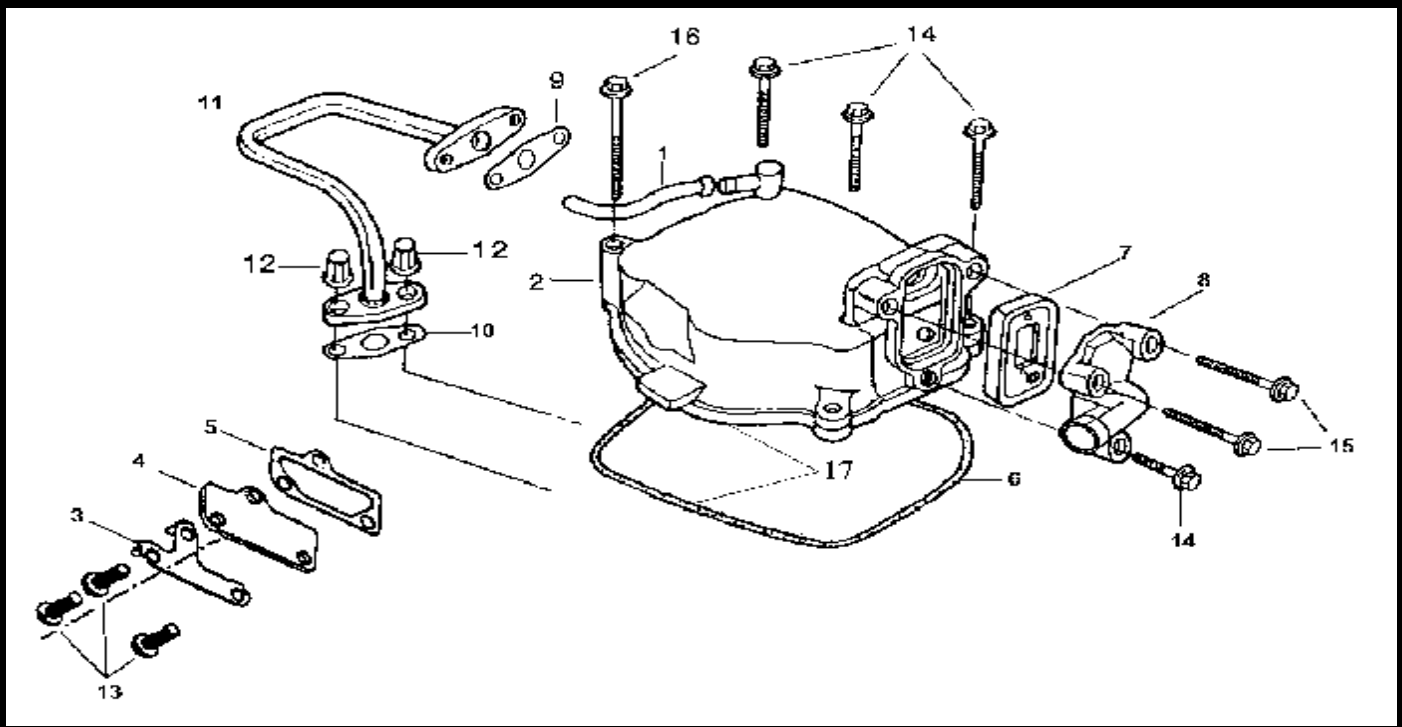
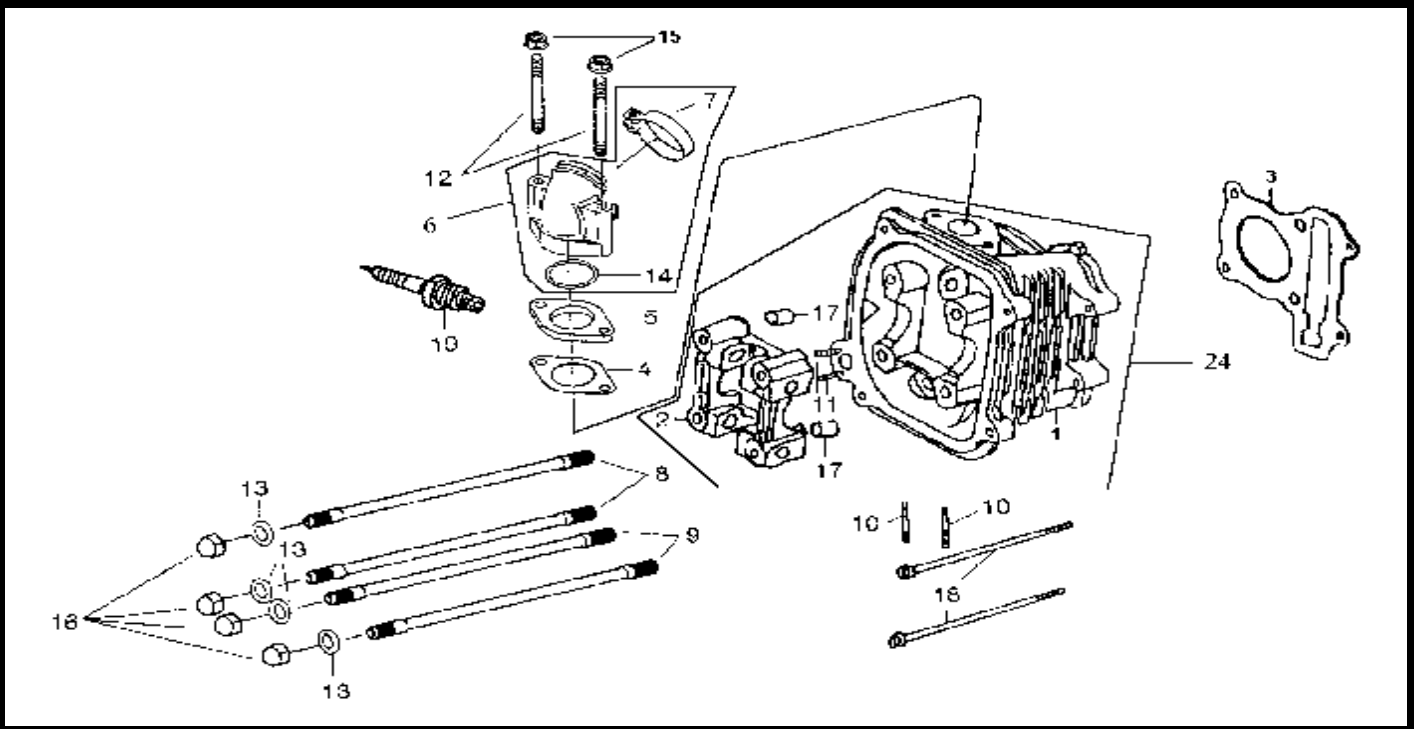


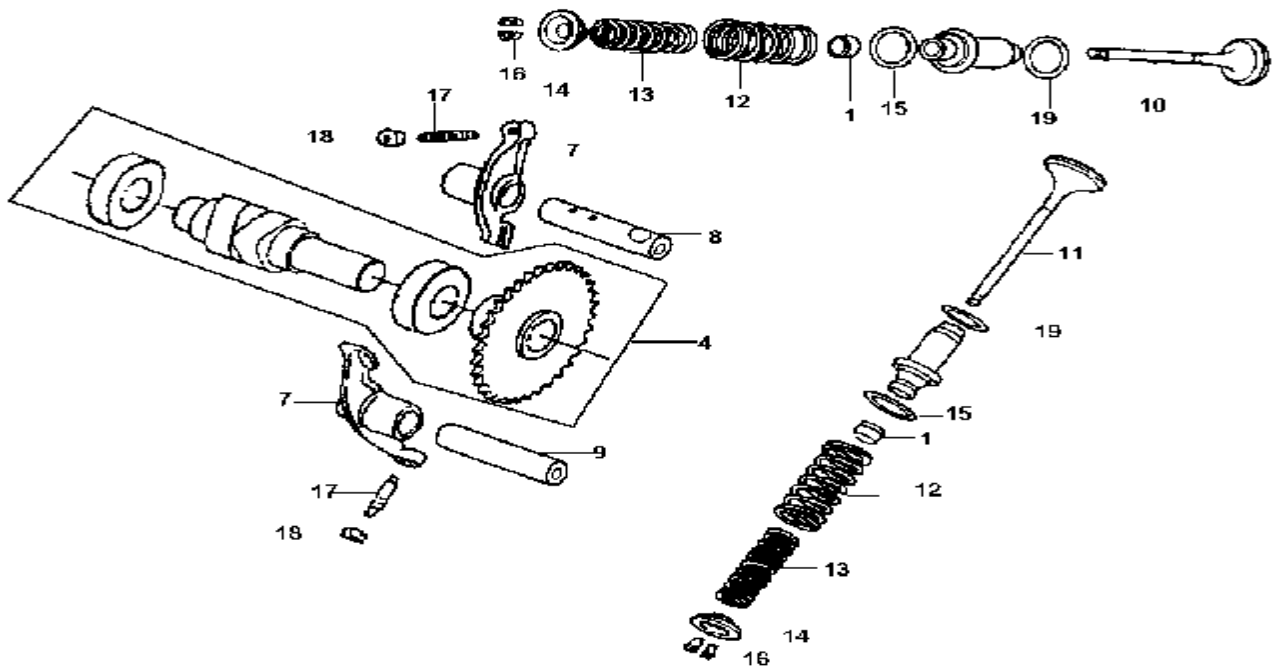
MODEL(S)		A	Q	
H125D-6		P	T	
BLOCK NO .A-1	CHANGE	L	R	
	DATE	Y	E	
DESCRIPTION			Q	PARTS NUMBER
1.Carburetor drain tube clamber			1	11385-M92-000
2.Fan cover assy.			1	1961A-M92-000
3.Starter motor cord clamber			1	19613-M92-000
4.Shroud A assy			1	1962A-M92-000
5.Shroud A seal			1	19625-M92-000
6.Shroud B assy.			1	1963A-M92-000
7.Hight tension cord clip			1	19632-V02-000
8.Shroud B seal			1	19635-M92-000
9.Harness wire clip			1	32161-M9Q-000
11.Tapping screw 5×12			2	93904-35280
12.Tapping screw 5×16			6	93904-35380
13.SH flange bolt 6x22			3	96001-06022-08
14.SH flange bolt 6×25			1	96001-06025-08



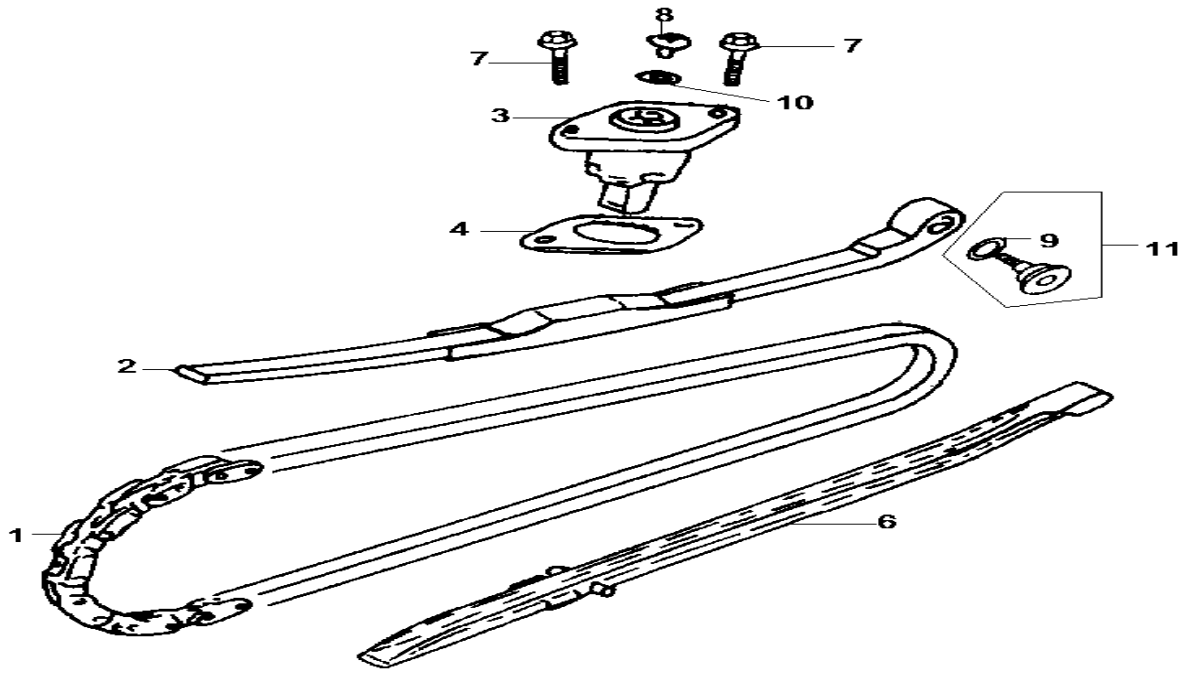
MODEL(S)	CHANGE DATE	A P P L Y	Q T Y R E Q	PARTS NUMBER
H125D-6				
DESCRIPTION	BLOCK NO .A-1			
1. Breather tube			1	11211-M92-000
2. Head cover comp.			1	12300-M92-000
3. Breather plate			1	12302-M92-000
4. Breather cover			1	12306-M92-000
5. Breather cover gasket			1	12308-M92-000
6. Cylinder head cover gasket			1	12391-M92-000
7. Reed valve comp.			1	18601-M9Q-000
8. Reed valve cover			1	18612-M9Q-000
9. A. I. pipe gasket			1	18645-M9Q-000
10. A. I. pipe gasket			1	18646-M9Q-000
11. Air pipe comp.			1	18647-M9Q-000
12. Cap nut 6mm			2	90303-M9Q-000
13. Pan screw 5x12			3	93500-05012-0H
14. Flange bolt 6x25			4	95701-06025-00
15. Flange bolt 6x40			2	95701-06040-00
16. Flange bolt 6x45			1	95701-06045-00
17. Head cover ass'y			1	1230A-M92-001



MODEL(S)	CHANGE DATE	A P P L Y	Q T Y R E Q	PARTS NUMBER
H125D-6				
DESCRIPTION	BLOCK NO .A-1			
1.Cylinder head comp.			1	12200-M92-000
2.Cam shaft holder			1	12211-M92-000
3.Cylinder head gasket			1	12251-M92-000
4.Carb. insulator gasket			1	16201-M9A-000
5.Carb. insulator			1	16211-M92-000
7.Insulator band			1	17256-M9Q-000
8.Cylinder stud bolt A			2	90031-M92-000
9.Cylinder stud bolt B			2	90032-M92-000
10.Stud bolt 6x32			2	90032-M9Q-300
11.Stud bolt 6x32			2	90032-M92-300
12.Stud bolt 6x55			2	90033-M92-000
13.Washer 8mm			4	90465-M9Q-000
14.O-ring 27x2.0			1	91308-M9Q-000
15.Flange nut 6mm			2	94050-06080
16.Flange nut 8mm			4	94050-08000
17.Dowel pin 8x14			2	94301-08140
18.SH flange bolt 6x100			2	96001-06100-08
19.Spark plug (C7HSA)			1	1PC7HSA-3
Spark plug (CR7HSA)			1	1PCR7HSA-3
23.Inlet pipe assy			1	1711A-M92-000
24.Cylinder head assy			1	1220A-M9A-000



MODEL(S)	CHANGE DATE	A P P L Y	Q T Y R E Q	PARTS NUMBER
BLOCK NO .A-2				
H125D-6	Jul./11.2000	Y	2	(REVISED)
1.Stem seal valve			1	12209-MA6-003
4.Cam shaft comp			1	14100-M92-000
7.Valve rocker arm			2	14431-M92-000
8.In rocker arm shaft comp			1	14450-M92-000
9.Ex rocker arm shaft comp			1	14452-M92-000
10.Inlet valve			1	14711-M92-000
11.Exhaust valve			1	14721-M92-000
12.Valve outer spring			2	14751-M9Q-000
13.Valve inner spring			2	14761-M9Q-000
14.Valve spring retainer			2	14771-M9Q-000
15.Valve spring seat outer			2	14775-M9Q-000
16.Valve cotter			1	14781-M9Q-000-A
17.Tappet adjg screw			2	90012-M9Q-000
18.Tappet adjg nut			2	90206-M9Q-000
19.O-ring 9x1.6			2	91305-M9Q-000



MODEL(S)
H125D-6

BLOCK NO .A-1

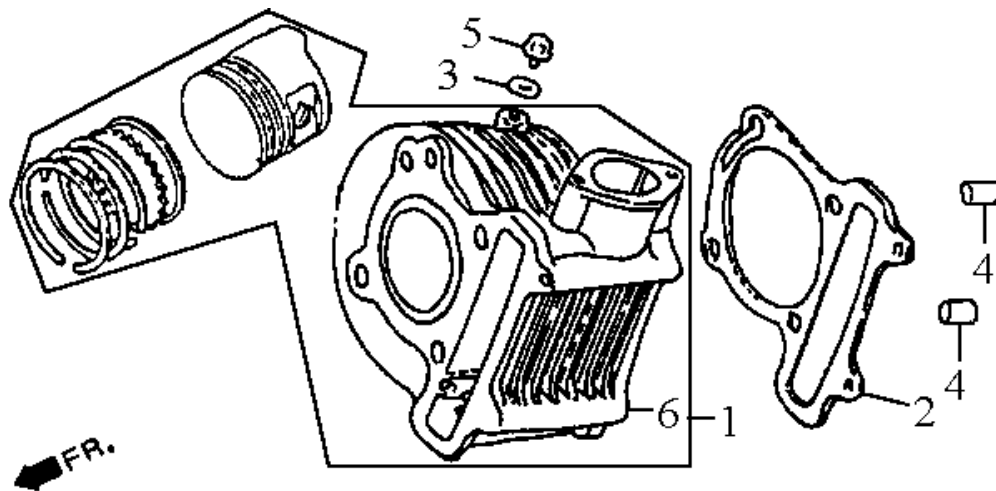
CHANGE
DATE

A
P
P
L
Y

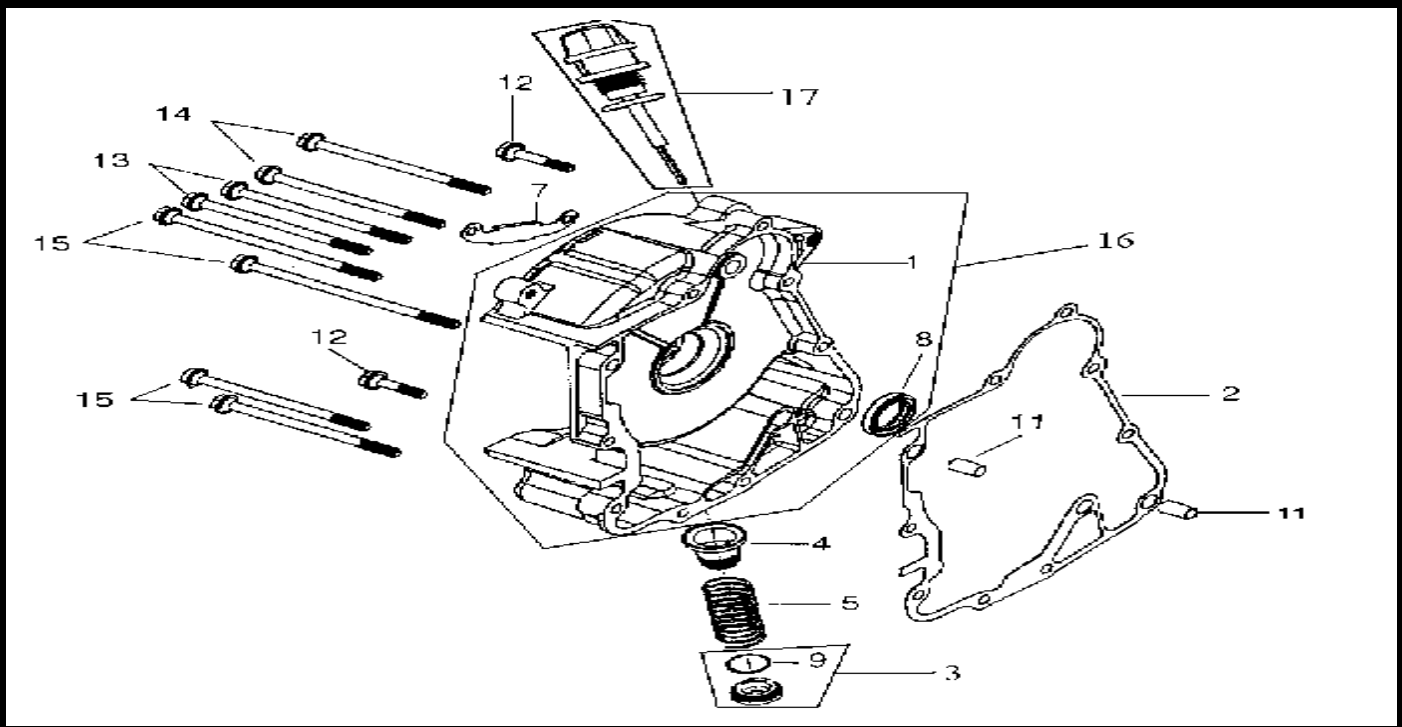
Q
T
Y
R
E
Q

PARTS NUMBER

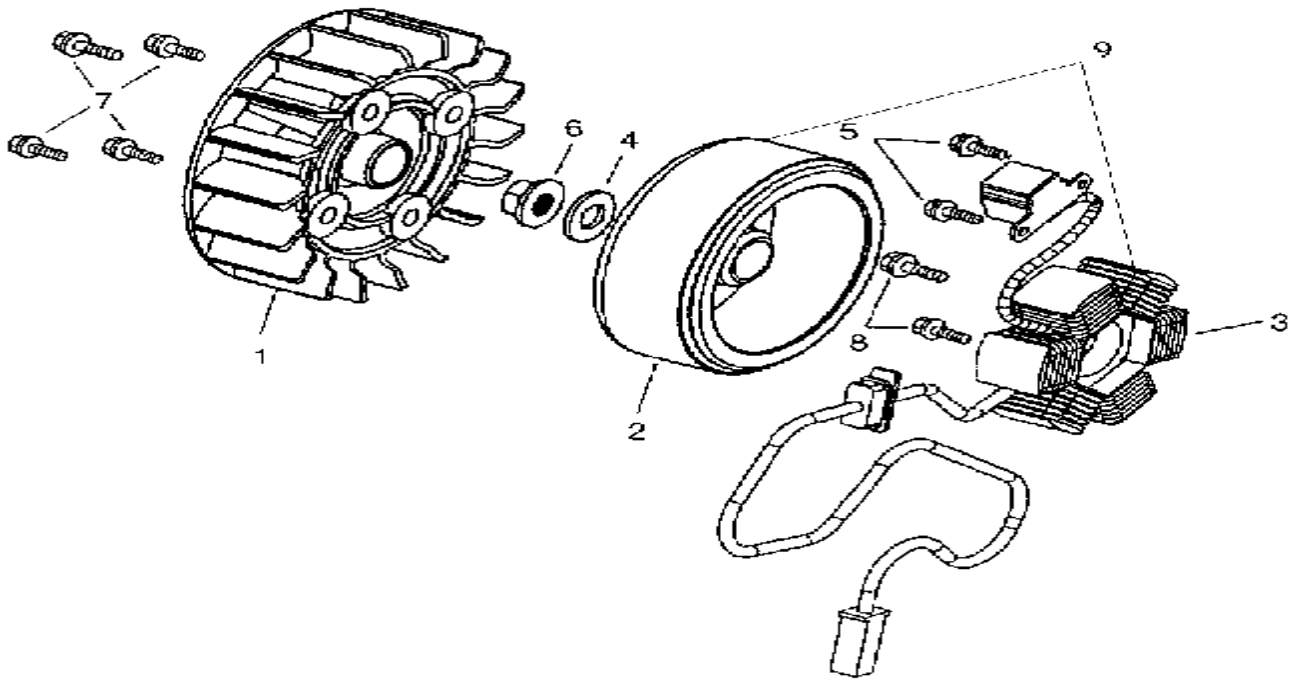
1.Cam chain			1	1C14401-M92-000
2.Cam chain tensioner			1	14510-M92-000
3.Tensioner lifter assy			1	14520-M9Q-000
4.Tensioner lifter gasket			1	14523-M9A-000
6.Cam chain guide comp.			1	14610-M92-000
7.SH. flange bolt 6x22			2	90001-M9Q-000
8.Pan screw 6x6			1	90005-M9Q-000
9.O-ring 15.5x1.5			1	91301-GR0-004
10.O-ring 1.5x9.5			1	91306-M9Q-000
11.Cam chain tensioner pivot ass'y			1	1453A-M92-000



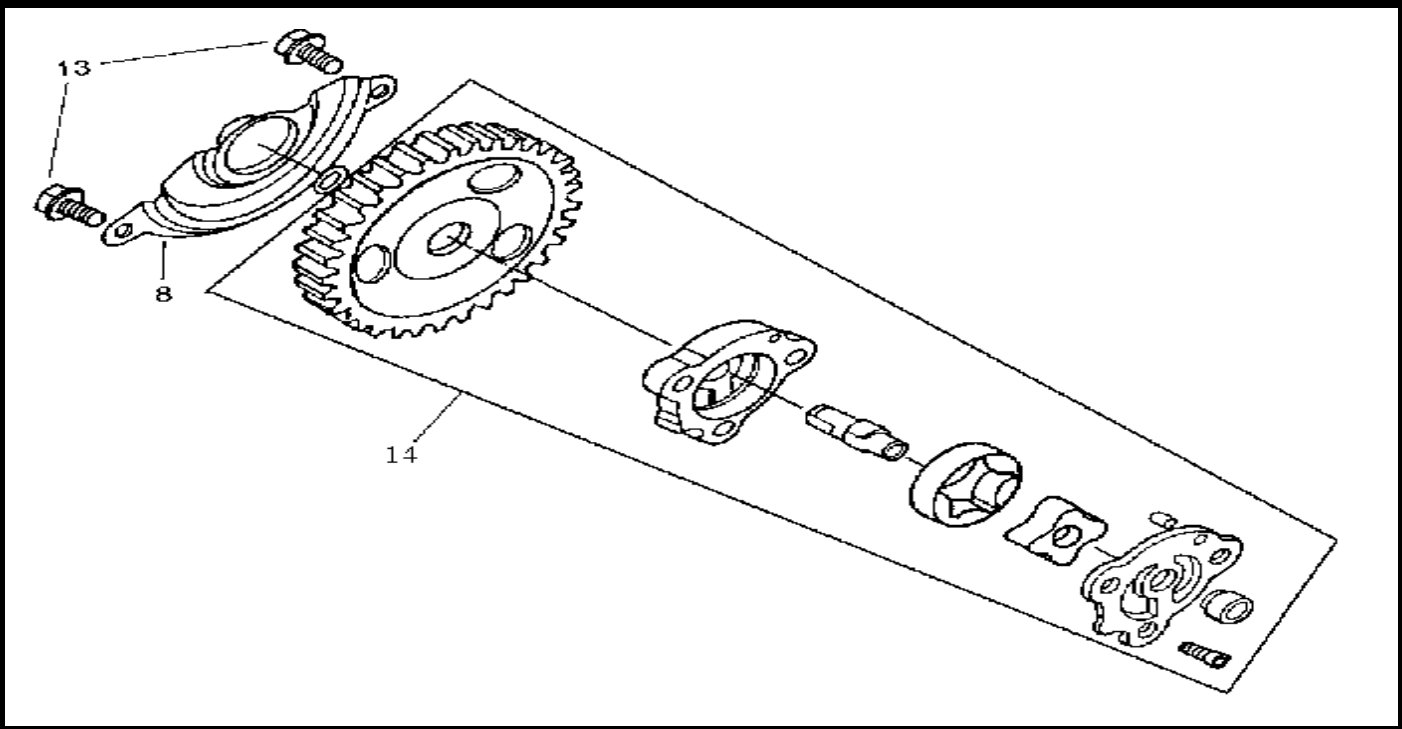
MODEL(S) H125D-6		A P P L Y	Q T Y R E Q	
BLOCK NO .A-1 DESCRIPTION	CHANGE DATE			PARTS NUMBER
1.Cylinder set 2.Cylinder gasket 3.Sealing washer 6.5mm 4.Dowel pin 8x14 5.Flange bolt 6x12 6.Cylinder			1 1 1 2 1 1	12100-M92-000-A 12191-M9A-000 90461-MF2-710 94301-08140 95701-06012-00 12101-M92-000



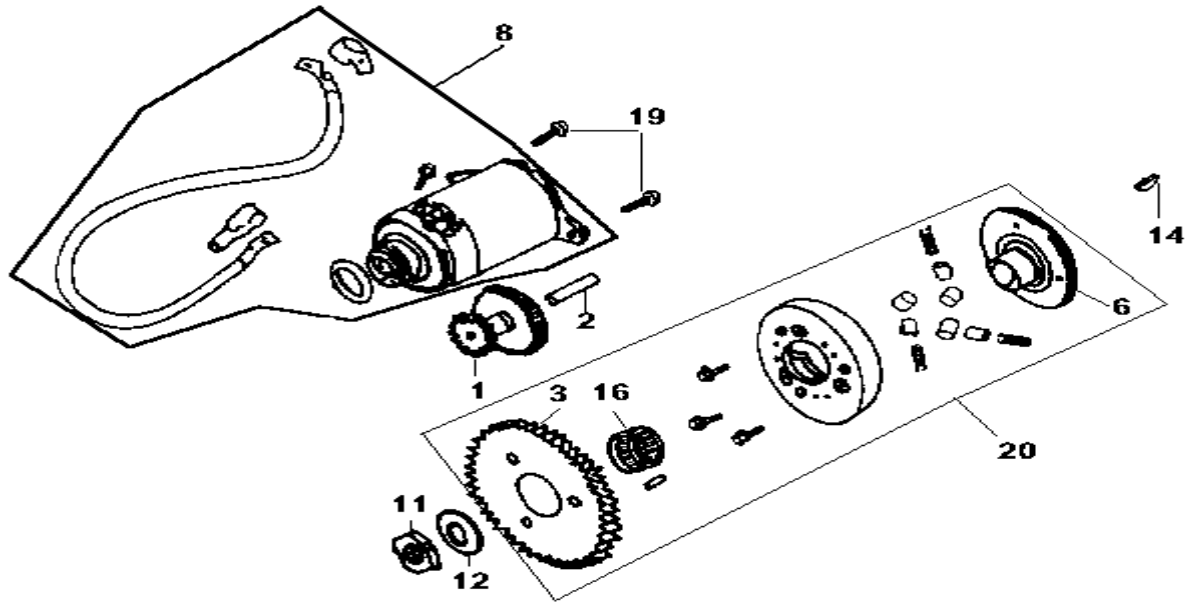
MODEL(S)		A	Q	
H125D-6		P	T	
BLOCK NO .A-1	CHANGE	L	R	
DESCRIPTION	DATE	Y	E	PARTS NUMBER
			Q	
1.R. crank case cover			1	11331-M92-000
2.R. cover gasket			1	11394-M92-000
3.Tappek adjusting hole cap assy.			1	1236A-V02-000
4.Oil filter screen			1	15421-M9Q-000
5.Oil filter screen spring			1	15426-M9Q-000
7.A.C.G. cord clamper			1	32961-M92-000
8.Oil seal 19.8×30×5			1	91201-GY6-903-M2
9.O-ring 30.8			1	91302-M9Q-000
11.Dowel pin 8×14			2	94301-08140
12.Flange sh bolt 6×30			2	96001-06030-08
13.Flange sh bolt 6×90			4	96001-06090-08
14.Flange sh bolt 6×95			2	96001-06095-08
15.Flange sh bolt 6×100			2	96001-06100-08
16.Crank case cover ass'y			1	1133A-M92-000
17.Oil level guage ass'y			1	1565A-M92-000



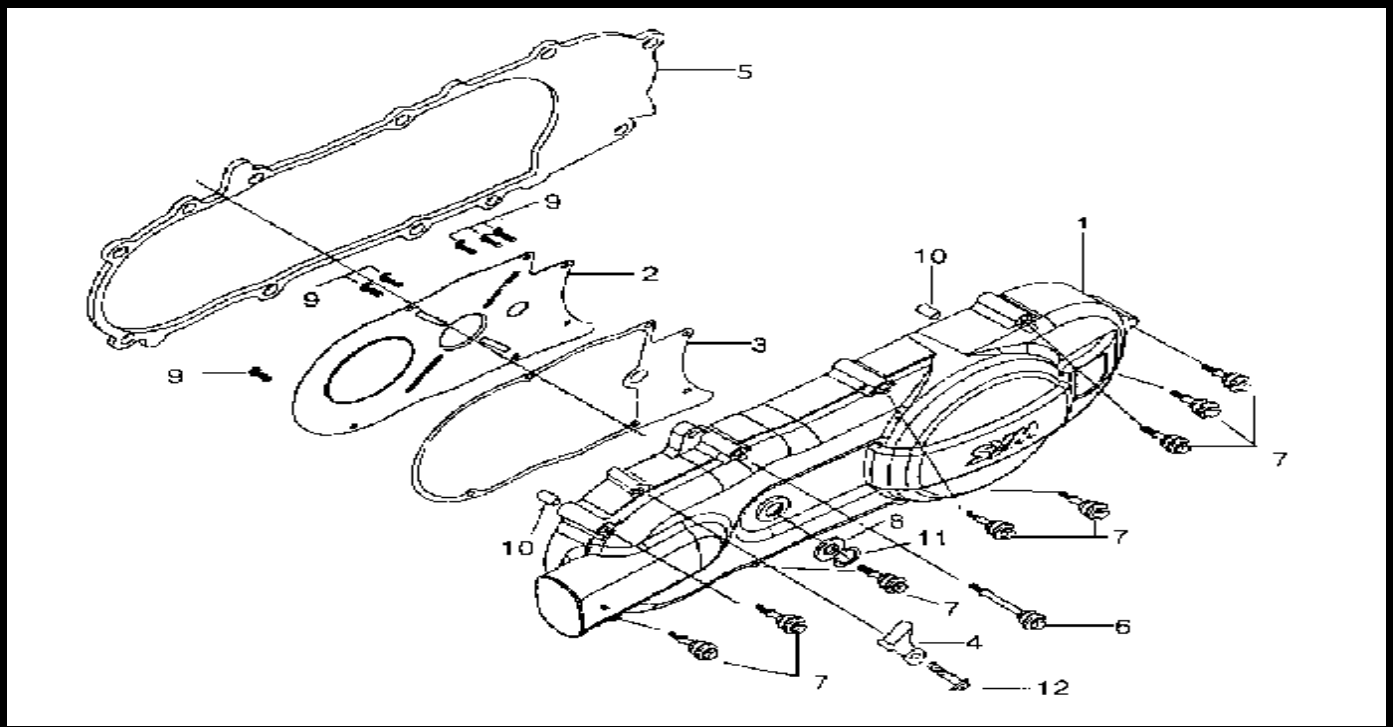
MODEL(S) H125D-6		A P P L Y	Q T Y R E Q	
BLOCK NO .A-1 DESCRIPTION	CHANGE DATE			PARTS NUMBER
1.Cooling fan comp. 2.Fly wheel comp 3.Stator comp. (CDI) 4.Plain washer 12mm 5.Hex bolt 5×10 6.Flange nut 12mm 7.Flange sh bolt 6×18 8.Flange sh bolt 6x18 9.A. C. G. Assy.			1 1 1 1 2 1 4 2 1	19510-M92-000 31110-M92-000 31120-M92-000 90440-M9Q-000 92101-05010-0H 94050-12000 95701-06018-08 96001-06018-08 31100-M92-000



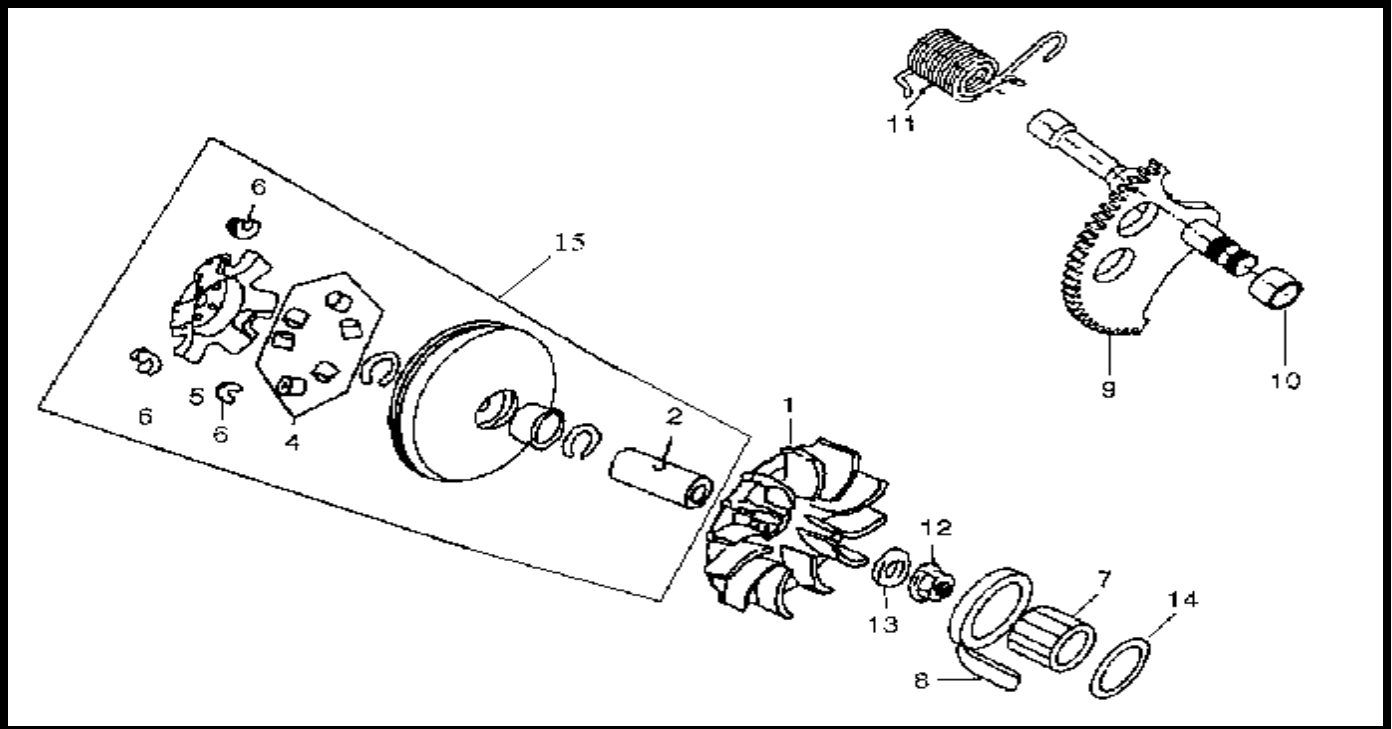
MODEL(S) H125D-6		A P P L Y	Q T Y R E Q	
BLOCK NO .A-1 DESCRIPTION	CHANGE DATE			PARTS NUMBER
8.Oil pump separator			1	15711-M92-000
13. SH flange bolt 6x12			2	96001-06012-08
14.Oil pump assy.			1	15100-M92-000



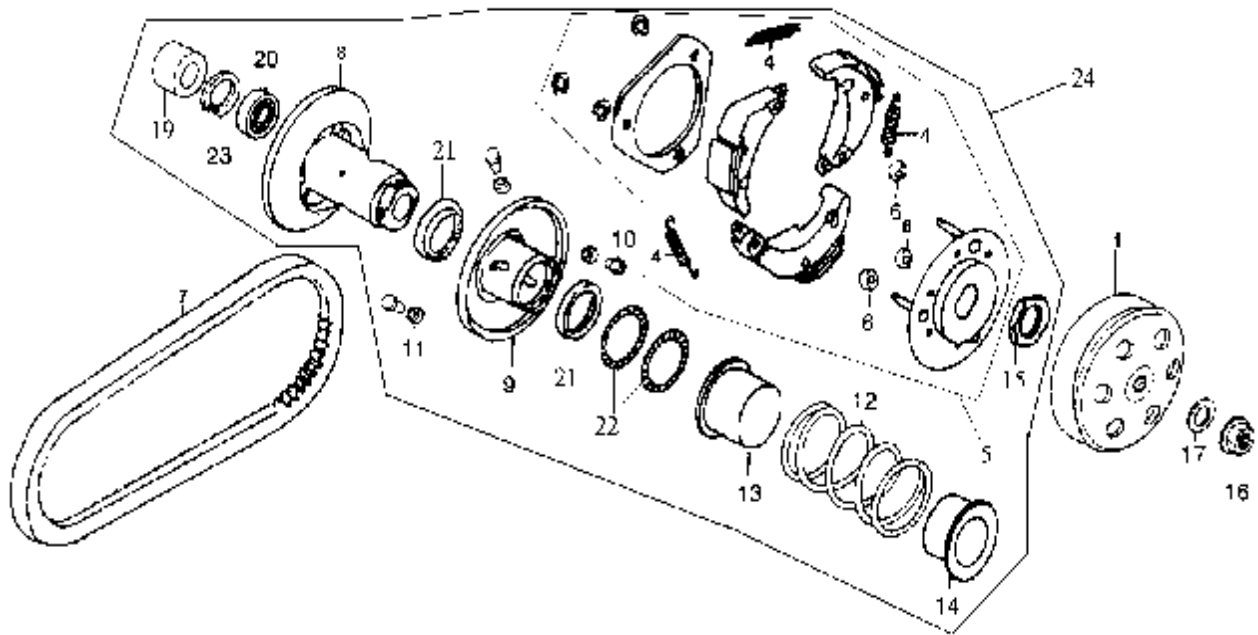
MODEL(S) H125D-6		A P P L Y	Q T Y R E Q	
BLOCK NO .A-1 DESCRIPTION	CHANGE DATE			PARTS NUMBER
1.Starter reduction gear			1	28101-M9Q-000
2.Starter reduction gear shaft			1	28102-M9Q-000
3.Starting clutch gear comp.			1	28110-M9Q-000
6.Starter clutch flange			1	28125-M92-000
8.Start motor assy.			1	31200-M92-000
11.Lock nut 22mm			1	90201-M9Q-000
12.Thrust washer 22.2×31×2.5			1	90403-M92-000
14.Wood ruff key 25×14×14			1	90702-M9Q-000
16.Needle bearing 28×32×17			2	91104-M9Q-000
19.Flange sh bolt 6×16			2	96001-06016-08
20.Start clutch outer assy.			1	2812A-M92-000



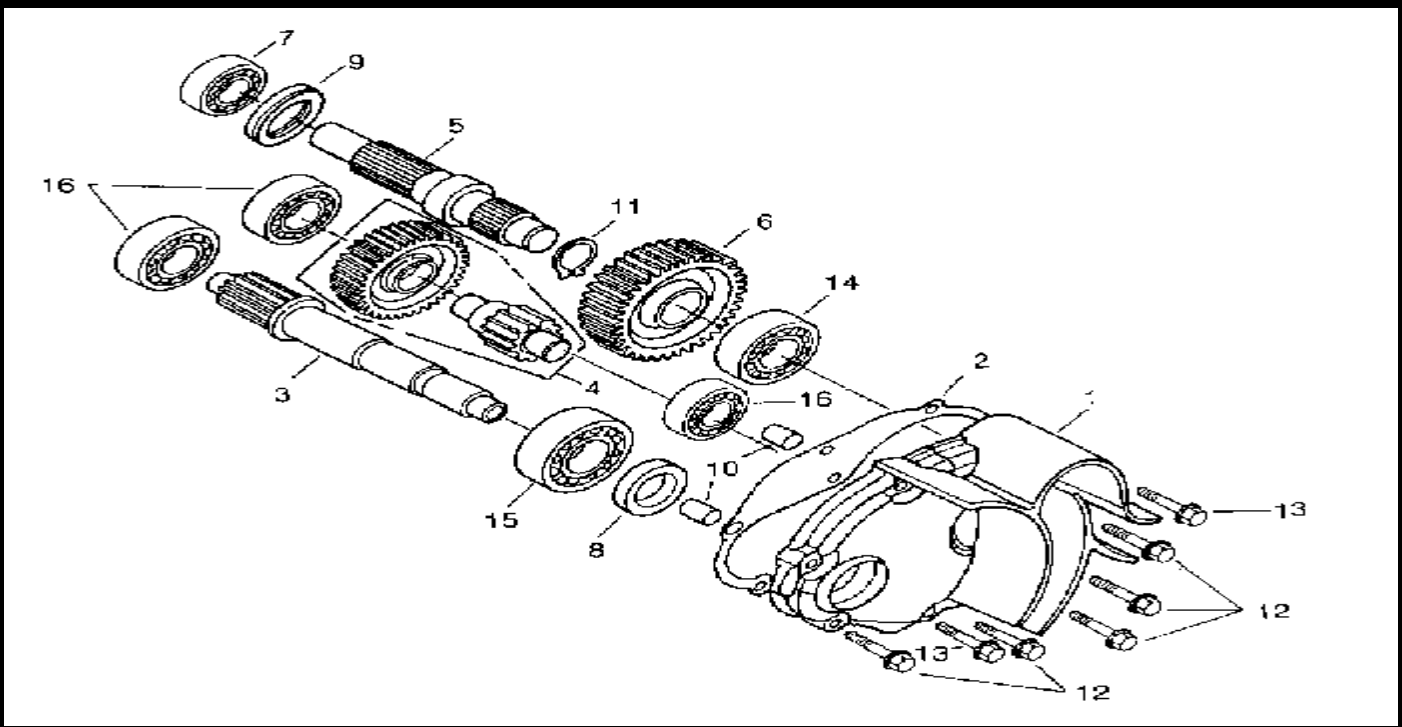
MODEL(S)	CHANGE DATE	A P P L Y	Q T Y R E Q	PARTS NUMBER
H125D-6				
BLOCK NO. .A-2				
DESCRIPTION				
1. L. crank case cover comp.	Feb./5.2002	N	1	1134A-M9A-000 11340-H6A-000
2. L. cover plate			1	11342-M92-000
3. L. cover plate gasket			1	11343-M9A-000
4. Brake cable clamp			1	11382-M92-000
5. Left cover gasket			1	11395-M92-000
6. Special bolt 6x57			1	9000A-M9Q-000
6. Special bolt 6x37			1	9000B-M9Q-000
8. Kick spindle washer			1	90451-M9Q-000
9. Pan screw 5x12			1	93500-05012-0H
10. Dowel pin 10x20			8	94301-10200
11. EX. Cir-clip 14mm			1	94511-14000
12. SH. Flange bolt 6x12			6	96001-06012-08



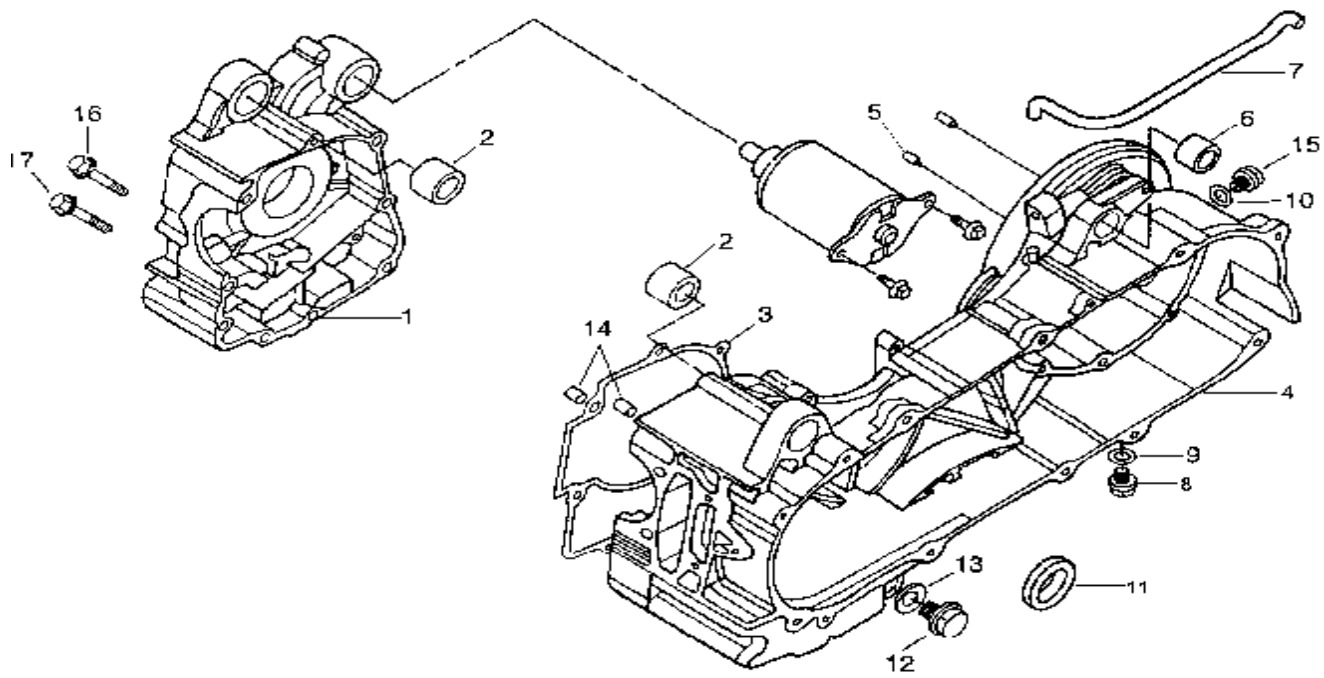
MODEL(S) H125D-6	CHANGE DATE	A P P L Y	Q T Y R E Q	PARTS NUMBER
BLOCK NO .A-2 DESCRIPTION				
1. Drive face comp			1	22102-M92-000
2. Drive face boss			1	22105-M92-000
4. Weight roller comp	Feb./5.2002	N	1	22121-M92-000
5. Ramp plate			3	22131-M92-000
6. Slide piece			1	22121-M92-000-A 22132-M92-000-A
7. Kick driven gear comp			1	28230-M92-000
8. Kick starter friction spring			1	28233-M92-000
9. Kick starter spindle comp			1	28250-M92-000
10. Kick spindle bush			1	28254-M92-000
11. Kick return spring			1	28281-M92-000
12. C. flange nut 12mm			1	90203-M9Q-000
13. Plain washer 12mm			1	90440-M9Q-000
14. Thrust washer 12mm			1	90452-M9Q-000
15. Movable drive face ass'y			1	2211A-M92-000



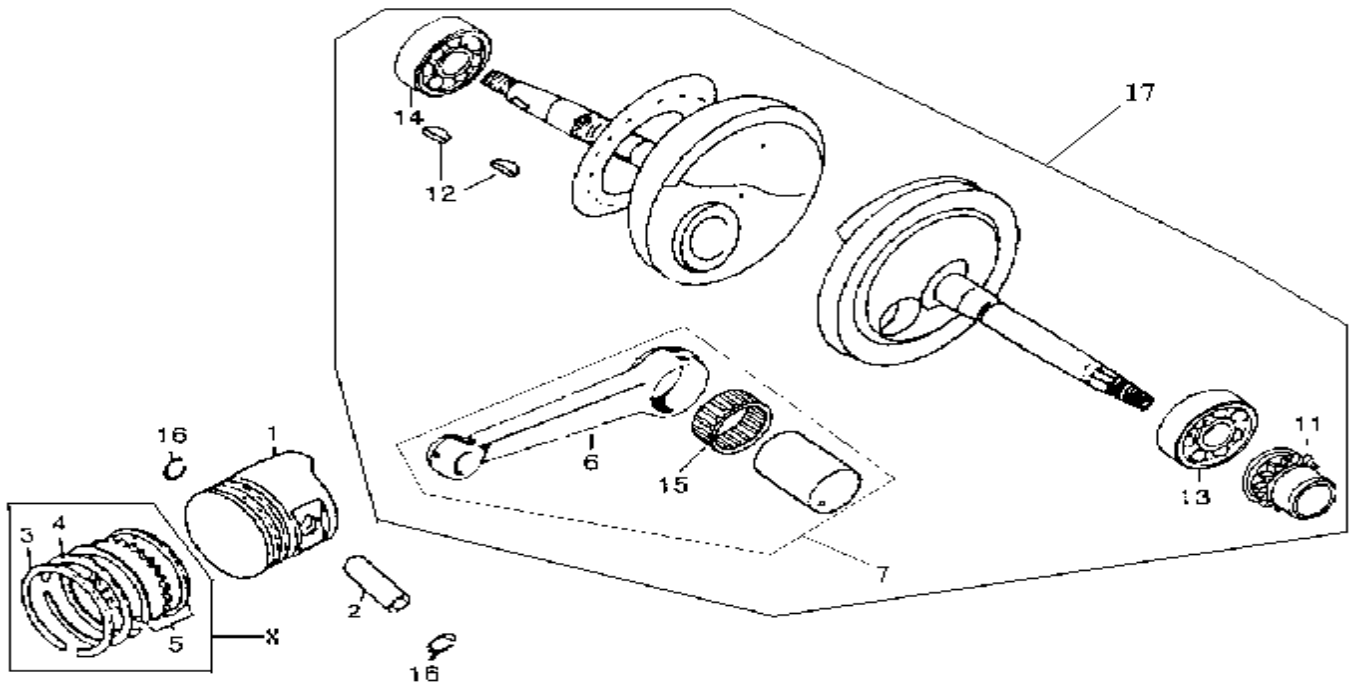
MODEL(S)		A	Q	
H125D-6		P	T	
BLOCK NO .A-2	CHANGE	L	R	
DESCRIPTION	DATE	Y	E	PARTS NUMBER
		Q	Q	
1. Clutch outer			1	22101-GY6-940
4. Clutch spring			3	22401-M9Q-000
5. Clutch weight ass'y			3	22300-M9A-000
6. Clutch damper rubber			3	22804-M9Q-000
7. Drive belt			1	(1B01M9201) 23100-M92-003
8. Driven face comp			1	23210-M92-000
9. Movable driven face comp			1	23220-M92-000
12. Driven face spring			1	23233-M92-000
13. Seal collar			1	23237-M9Q-000
15. Special nut 28mm	Feb./8.2001		1	90202-M9Q-000
16. C flange nut 12mm			1	90203-M9Q-000
17. Plain washer 12mm			1	90440-M9Q-000
19. Needle bearing 20x29x18	Feb./8.2001		1	91001-M9Q-300
20. Radial ball BRG. 6902U			1	(false) 91002-M92-300
	Feb./8.2001	N	1	(correct) 91002-M9Q-300
21. Driven face seal 34*41*4	Feb./8.2001		2	91211-V02-000
22. O-ring 38.8*1.9	Feb./8.2001		2	91384-M9Q-000
23. IN circle 28mm			1	94520-28000
24. Driven pulley ass'y			1	23010-M9A-000



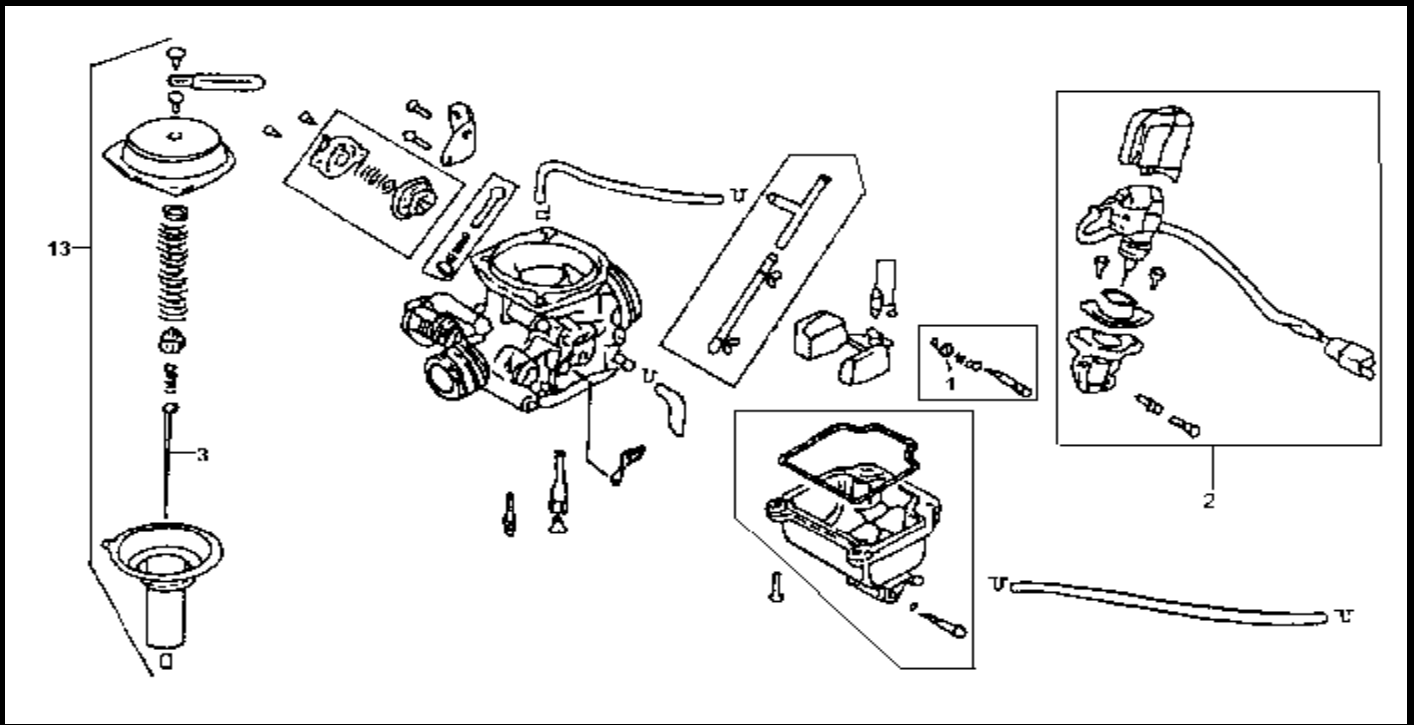
MODEL(S) H125D-6		A P P L Y	Q T Y R E Q	
BLOCK NO .A-1 DESCRIPTION	CHANGE DATE			PARTS NUMBER
1. Misson cover			1	21301-M92-000
2. Mission cover gasket			1	21395-M92-000
3. Drive shaft			1	23411-M92-000
4. Counter shaft comp			1	23420-M92-000
5. Final shaft			1	23431-M92-000
6. Final gear			1	23432-M92-000
7. Radial bearing 6004U			1	91009-M9Q-300
8. Oil seal 20x32x6			1	91202-M9Q-300
9. Oil seal 27x42x7			1	91255-M9Q-300
10. Dowel pin 8x14			2	94301-08140
11. Ex. Circle clip 20mm			1	94510-20000
12. SH. Flange bolt 6x25			5	96001-06025-08
12. SH. Flange bolt 6x32			2	96001-06032-08
14. Bearing ball radial 6203C3			1	96100-62033-00
15. Bearing ball radial 6204C3			1	96100-62043-00
16. Bearing ball radial 6301C3			3	96100-63013-00



MODEL(S)	CHANGE DATE	A P P L Y	Q T Y R E Q	PARTS NUMBER
H125D-6				
DESCRIPTION	BLOCK NO .A-1			
1.R. crank case comp.			1	11100-M92-000
2.Eng. hanger rub. bush			2	11102-M9Q-300
3.Crank case gasket			1	11192-M92-000
4.L. crank case comp			1	11200-M92-001
5.Spring guide rubber			2	11202-M92-000
6. RR. Cushion under rubber bush			1	11203-M9Q-300
7.Mission breather tube			1	11221-M92-000
8. Special bolt 8mm			1	90103-M9Q-000
9. Washer 8mm			1	90474-M9Q-000
10. Plain washer 10.2mm			1	90481-M9Q-000
11. Oil seal 25x37x6			1	91202-G03-010
12. Drain plug bolt 12mm			1	92800-12000
Drain plug washer			1	94109-12000
14. Dowel pin 8x14			2	94301-08140
15. Flange bolt 10x12			1	95701-10012-08
16. SH. Flange bolt 6x45			1	96001-06045-08
17. SH. Flange bolt 6x50			1	96001-06050-08



MODEL(S)	CHANGE DATE	APPLY	QTY	PARTS NUMBER
H125D-6				
DESCRIPTION	BLOCK NO .A-3			
1. Piston			1	13101-M92-000
2. Piston pin			1	13111-M9Q-000
6. Connecting rod			1	13201-M92-000
7. Conn. Rod ass'y			1	1320A-M92-000
8. Piston ring set			1	13010-V02-900
	Feb./5.2002	N	1	13010-M92-000
11. Timing sprocket			1	14311-M92-300
12. Wood ruff key 25x14x4			2	90702-M9Q-000
13. Radial ball brg. TMB 305C			1	91001-X06-9110-M1
14. Radial ball brg. TMB 3/22			1	91002-M92-300
	Jul./12.2002	Y	1	91001-H6B-300
15. Connecting rod bearing			1	91101-M9Q-000
16. Piston pin clip 15mm			2	94601-15000
17. Crank shaft comp			1	13000-M92-001



MODEL(S) H125D-6	CHANGE DATE	A P P L Y	Q T Y R E Q	
BLOCK NO .A-1 DESCRIPTION				PARTS NUMBER
2. Auto-Bystarter			1	16046-H6A-000
3. Jet needle set			1	16012-GY6-900
13. Carburetor ass'y			1	1610A-M92-000